



US00D903445S

(12) **United States Design Patent**
Ollar

(10) **Patent No.:** **US D903,445 S**
(45) **Date of Patent:** **** Dec. 1, 2020**

- (54) **MULTIPLE TUBE OPENER**
- (71) Applicant: **ZYMO RESEARCH CORPORATION**, Irvine, CA (US)
- (72) Inventor: **Samuel J. Ollar**, Irvine, CA (US)
- (73) Assignee: **ZYMO RESEARCH CORPORATION**, Irvine, CA (US)
- (**) Term: **15 Years**
- (21) Appl. No.: **29/691,036**
- (22) Filed: **May 13, 2019**
- (51) **LOC (12) Cl.** **08-05**
- (52) **U.S. Cl.**
USPC **D8/14; D8/40**
- (58) **Field of Classification Search**
USPC D8/14, 18, 33, 40; D32/46; D24/133
CPC B67B 7/16; B67B 7/403; B67B 2007/166;
B67B 7/12; B67B 7/20; B67B 7/40
See application file for complete search history.

- 4,949,600 A * 8/1990 Tricinella B67B 7/44
81/3.09
- 5,337,632 A * 8/1994 Thomas B25B 33/00
7/169
- D391,713 S * 3/1998 Laib D32/41
- D529,772 S * 10/2006 Samaro D8/16
- D624,376 S * 9/2010 Wysopal D8/34
- D825,953 S * 8/2018 Diamond D6/580

* cited by examiner

Primary Examiner — Philip S Hyder
(74) *Attorney, Agent, or Firm* — Parker Highlander, PLLC

(57) **CLAIM**

I claim an ornamental design for a multiple tube opener, as shown and described.

DESCRIPTION

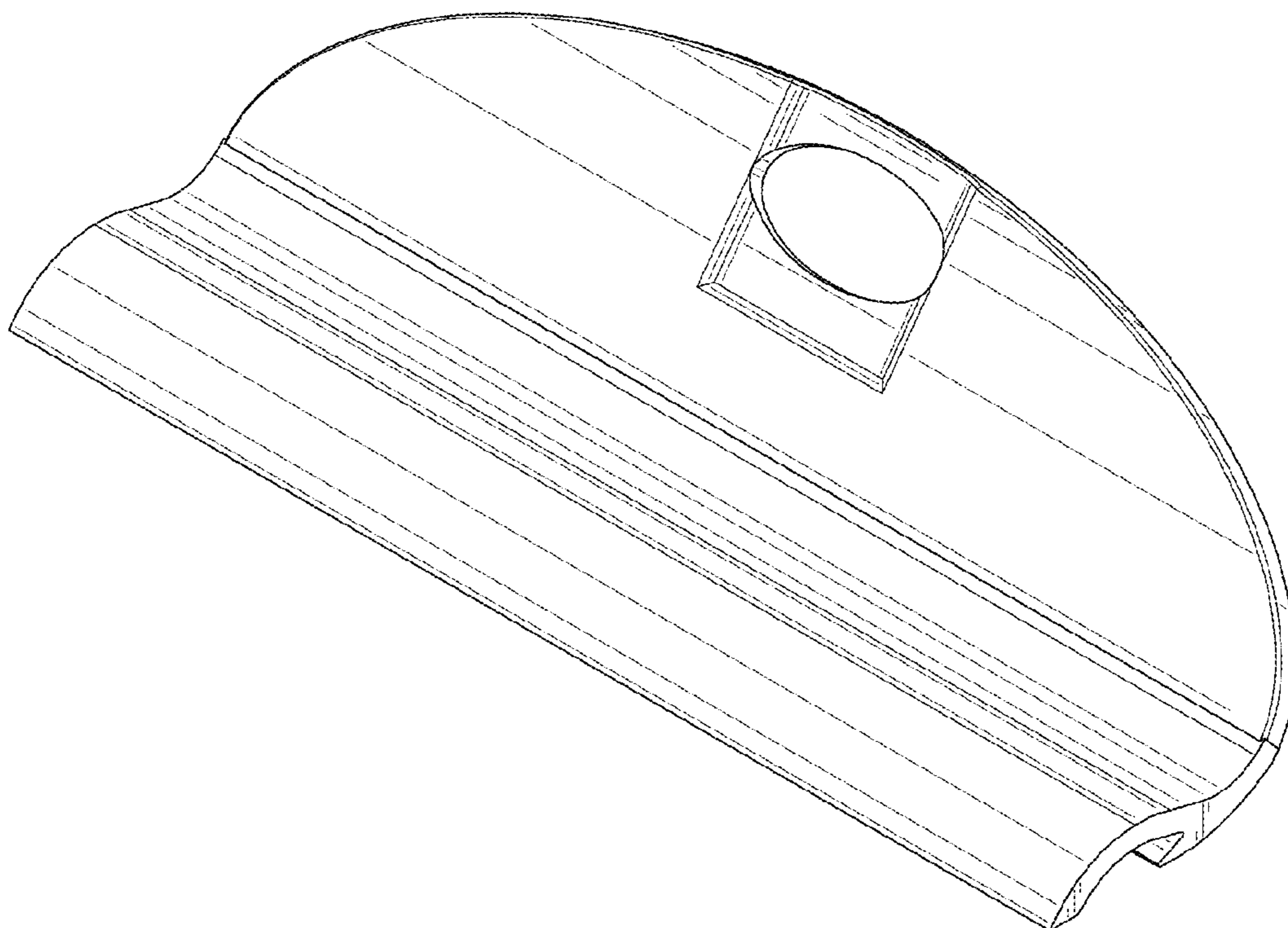
FIG. 1 is a front perspective view of the multiple tube opener in accordance with an embodiment of the present design; FIG. 2 is a front elevation of the multiple tube opener of FIG. 1; FIG. 3 is a rear elevation view of the multiple tube opener of FIG. 1; FIG. 4 is a left side plan view of the multiple tube opener of FIG. 1; FIG. 5 is a right side plan view of the multiple tube opener of FIG. 1; FIG. 6 is a top elevation view of the multiple tube opener of FIG. 1; and, FIG. 7 is a bottom elevation view of the multiple tube opener of FIG. 1.

1 Claim, 6 Drawing Sheets

(56) **References Cited**

U.S. PATENT DOCUMENTS

- 3,178,747 A * 4/1965 Peterson A47L 17/06
15/236.01
- D253,874 S * 1/1980 Kaufman D32/41
- D269,587 S * 7/1983 Hanslmair 81/3.55
- D274,688 S * 7/1984 Escalante 81/3.55
- D280,247 S * 8/1985 Jones D32/41
- 4,617,842 A * 10/1986 Yang B67B 7/44
81/3.09



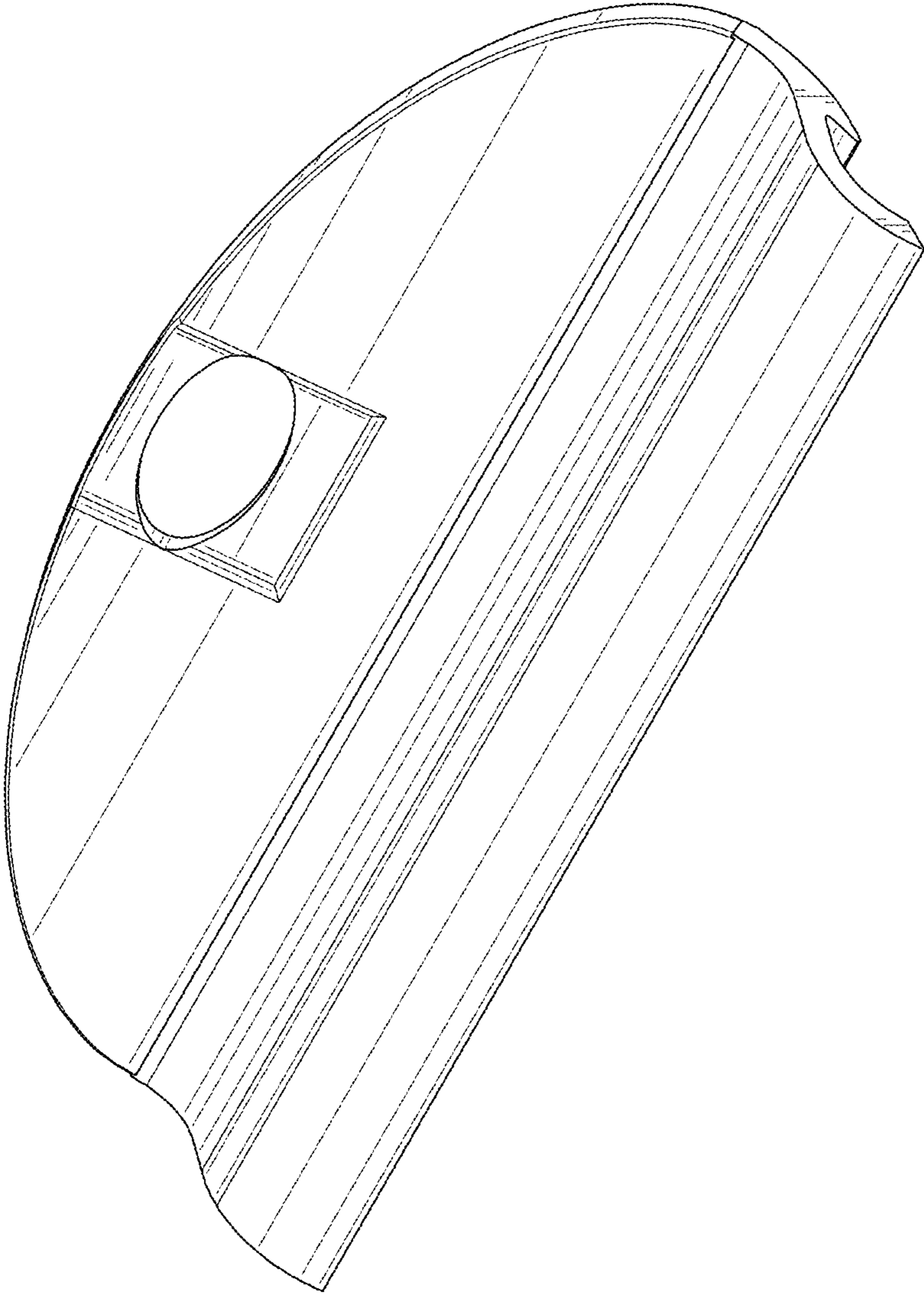


FIG. 1

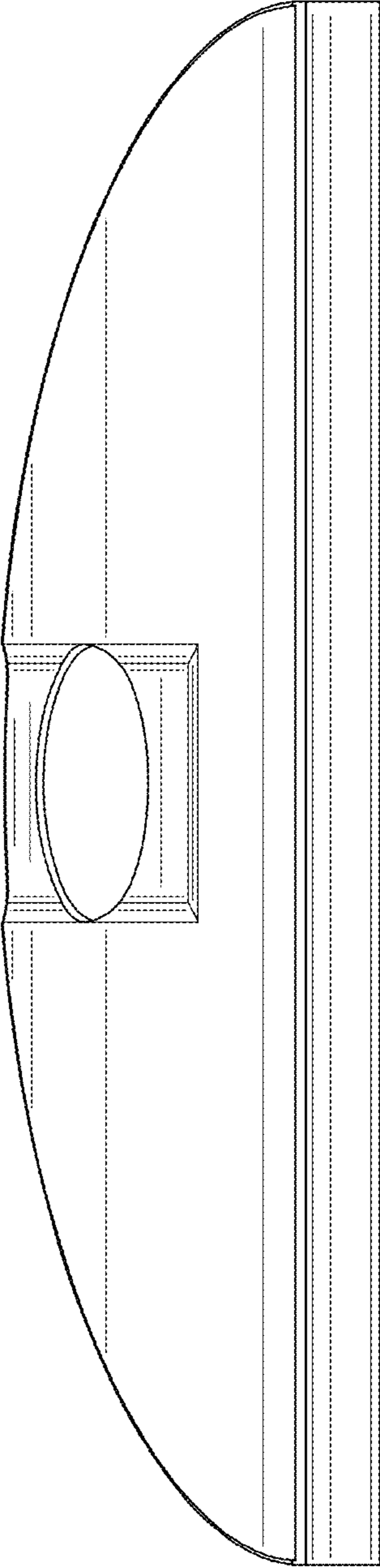


FIG. 2

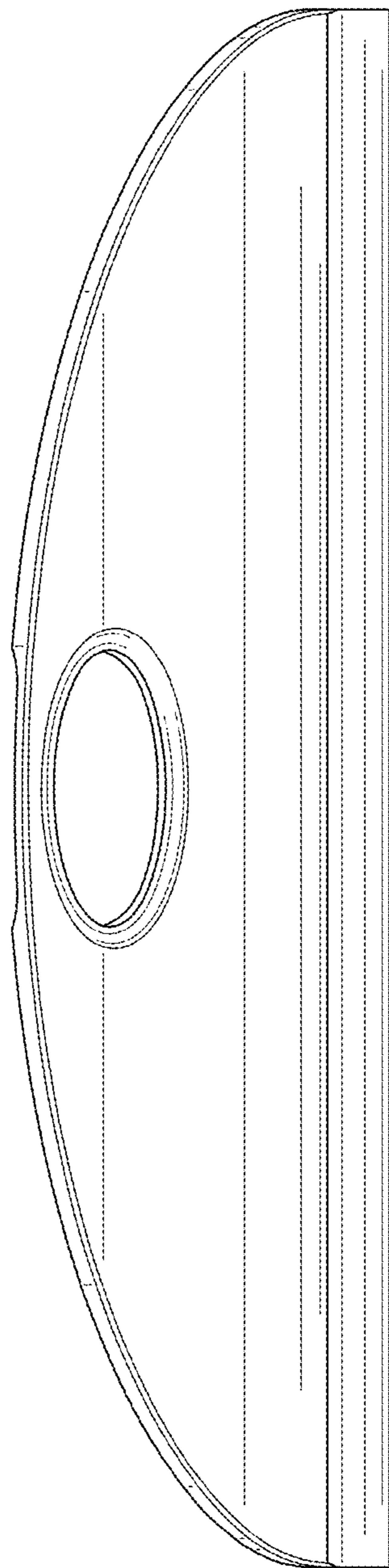


FIG. 3

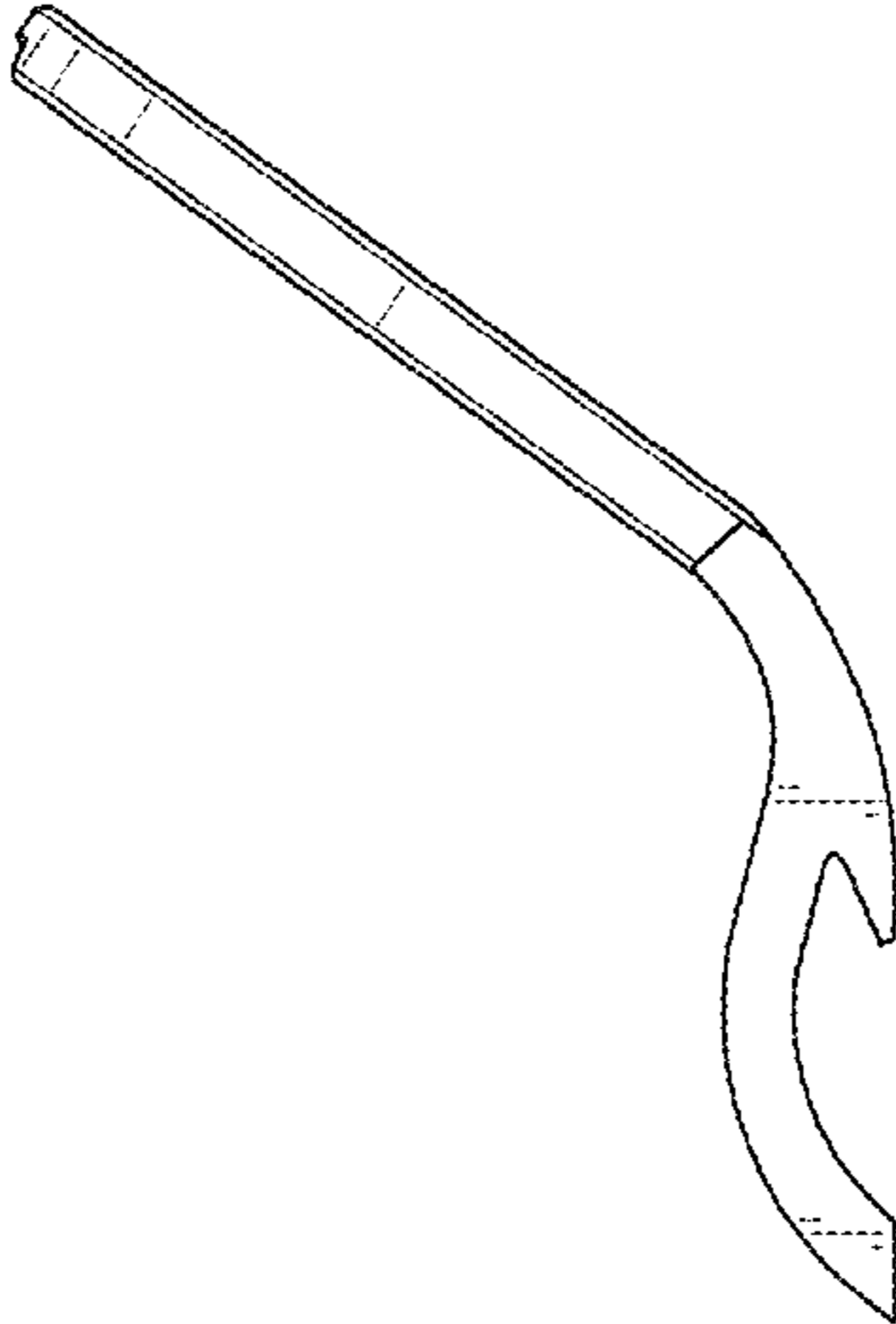


FIG. 5

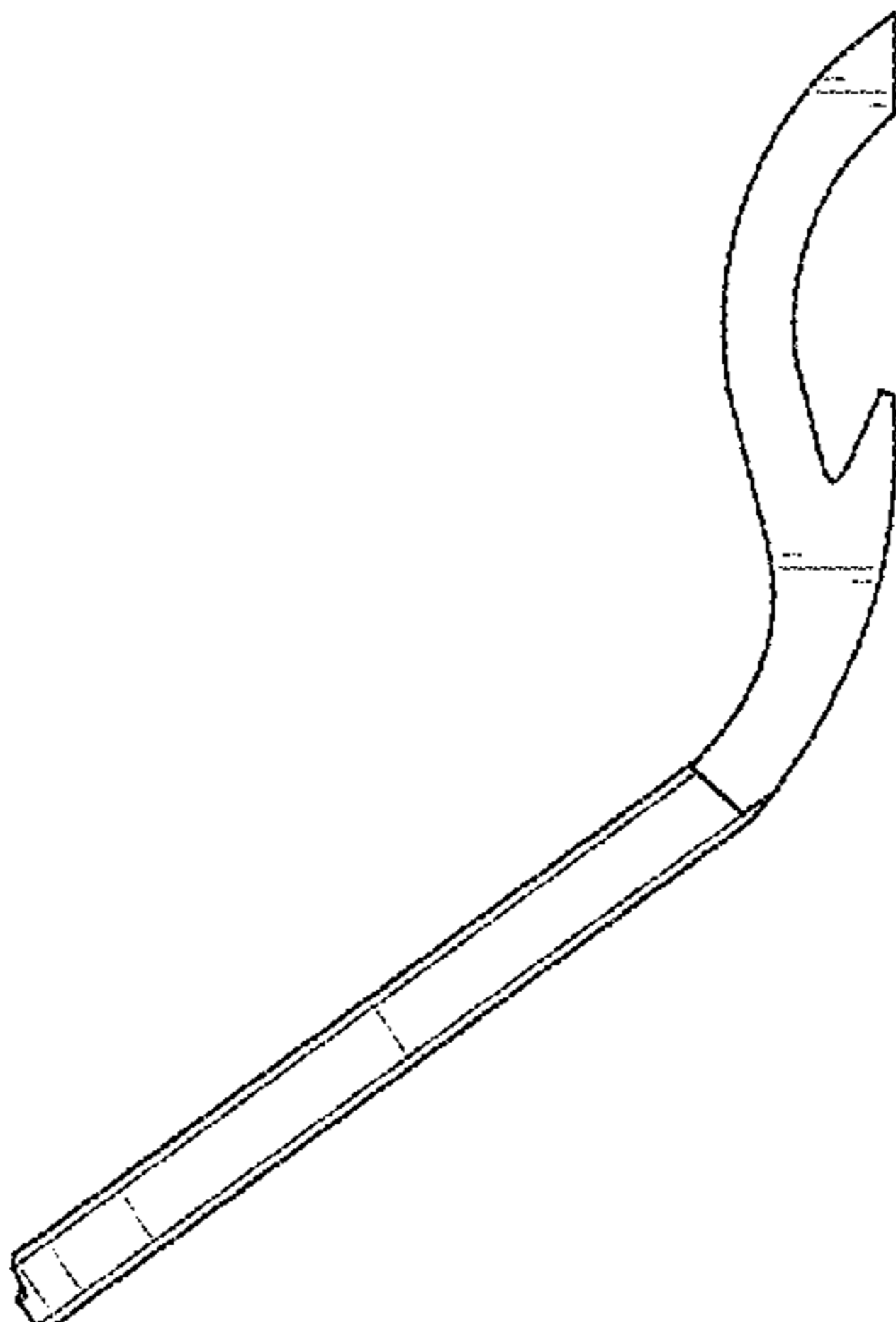


FIG. 4

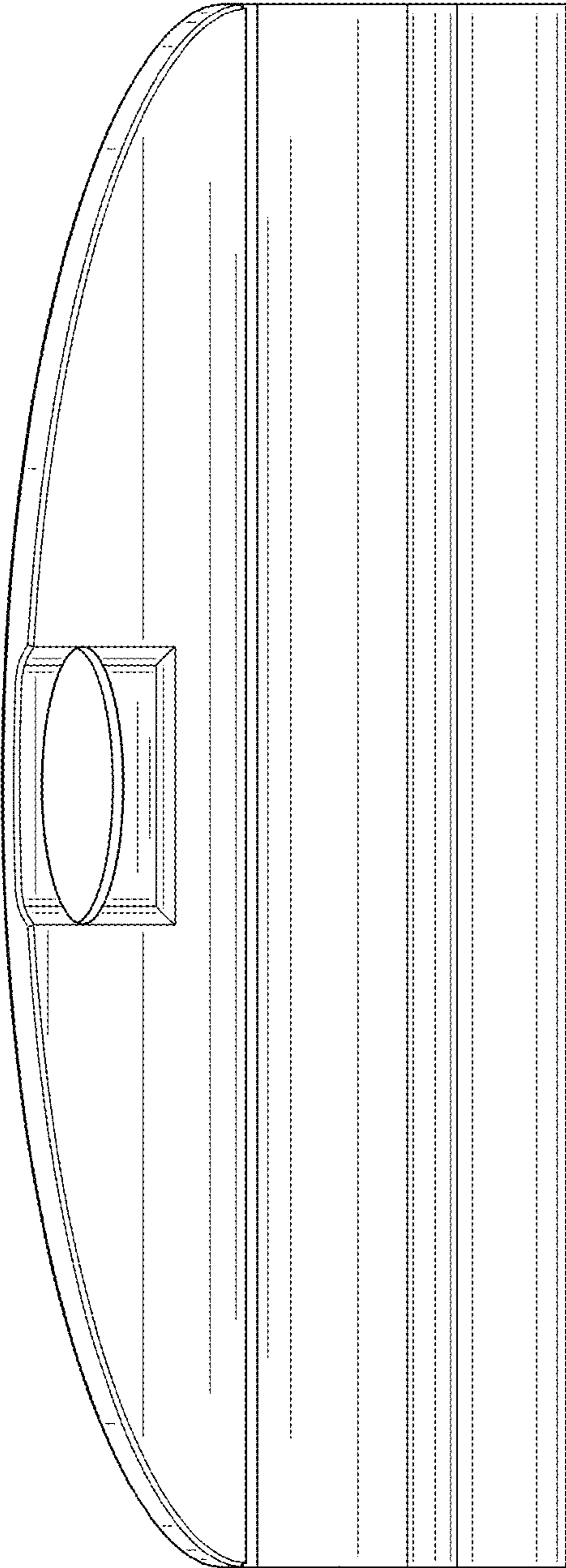


FIG. 6

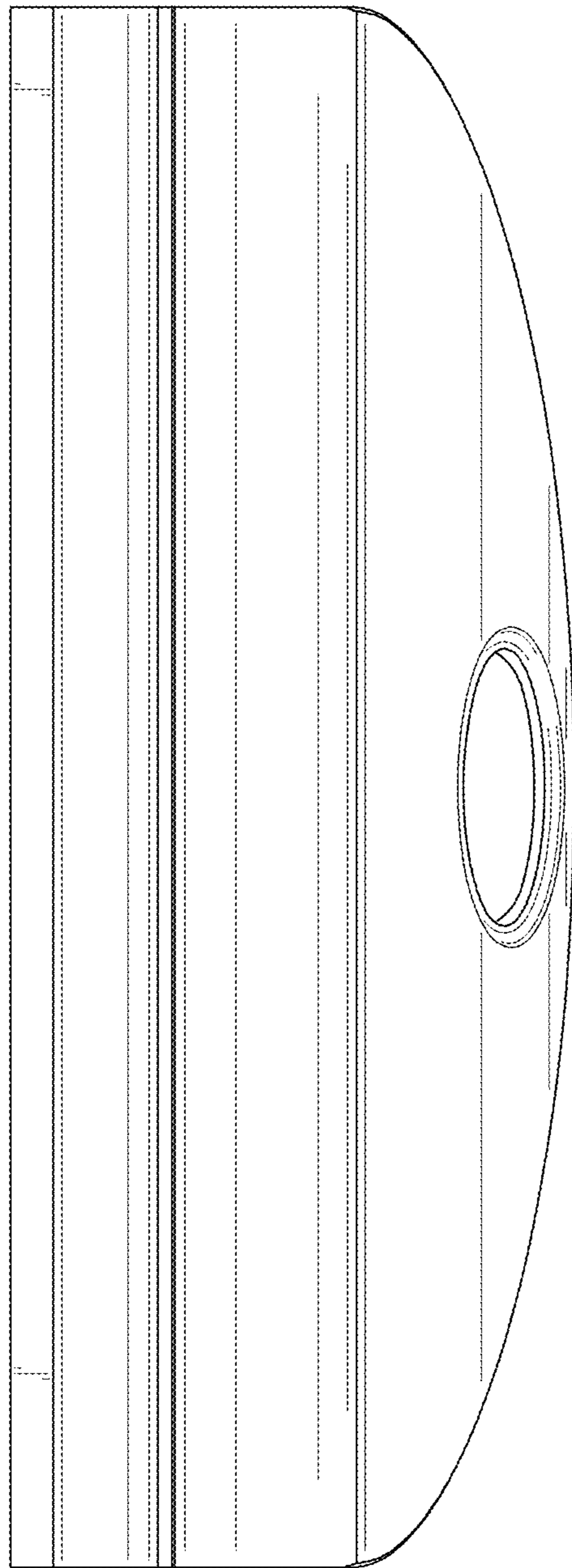


FIG. 7