



US00D903443S

(12) **United States Design Patent**
Gispert

(10) **Patent No.:** **US D903,443 S**

(45) **Date of Patent:** **** Dec. 1, 2020**

(54) **LUNCH BOX**

(71) Applicant: **STOR, S.L.**, Madrid (ES)

(72) Inventor: **Valentin Ortiz Gispert**, Madrid (ES)

(**) Term: **15 Years**

(21) Appl. No.: **35/507,400**

(22) Filed: **Feb. 28, 2019**

(80) **Hague Agreement Data**

Int. Filing Date: **Feb. 28, 2019**

Int. Reg. No.: **DM/202536**

Int. Reg. Date: **Feb. 28, 2019**

Int. Reg. Pub. Date: **Sep. 6, 2019**

(51) **LOC (12) Cl.** **07-07**

(52) **U.S. Cl.**
USPC **D7/703**

(58) **Field of Classification Search**
USPC D3/203.3, 273, 276, 294, 295; D7/541,
D7/549, 555, 602, 614, 629, 703, 706,
D7/708

CPC A47G 19/2205; A47G 19/2222; A47G
19/2227; A47G 19/22

See application file for complete search history.

(56) **References Cited**

U.S. PATENT DOCUMENTS

D472,774 S * 4/2003 Pelstring D7/629

D649,838 S * 12/2011 Stamper D7/602

D675,878 S * 2/2013 Shirley D7/602
D692,281 S * 10/2013 George D7/629
D708,913 S * 7/2014 Ng D7/629
D712,703 S * 9/2014 Lipinski D7/602
D722,832 S * 2/2015 Ra D7/602
D730,699 S * 6/2015 Mok D7/602
D763,629 S * 8/2016 Swartz A45C 11/20
D7/629
D763,706 S * 8/2016 Shum D9/737
D801,754 S * 11/2017 Neumann A45C 11/20
D7/629
D854,380 S * 7/2019 Yang D7/602
D880,957 S * 4/2020 Xu D7/629

* cited by examiner

Primary Examiner — Robert M. Spear
(74) *Attorney, Agent, or Firm* — Porzio Bromberg &
Newman P.C.

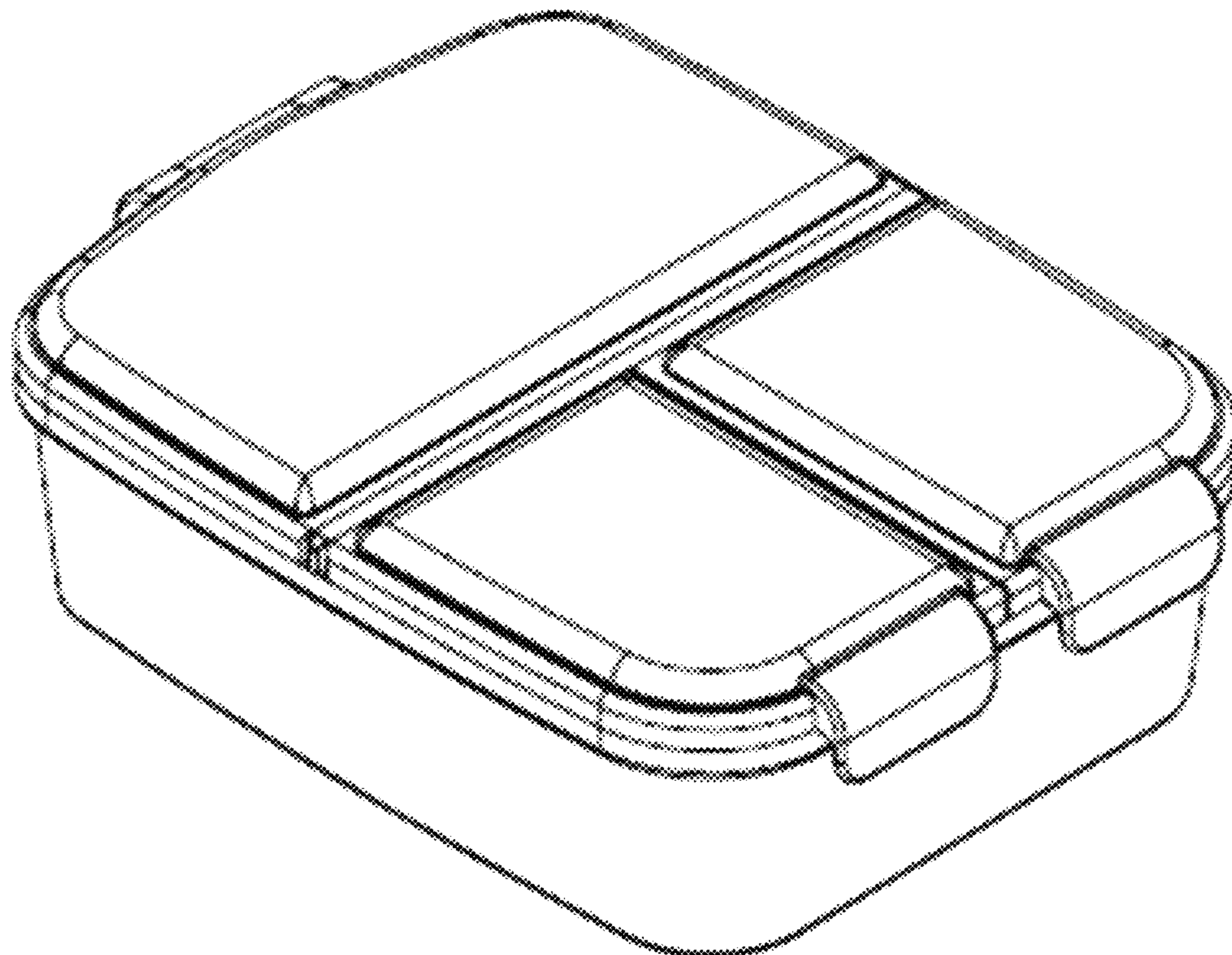
(57) **CLAIM**

I claim, the ornamental design for a lunch box, as shown and described.

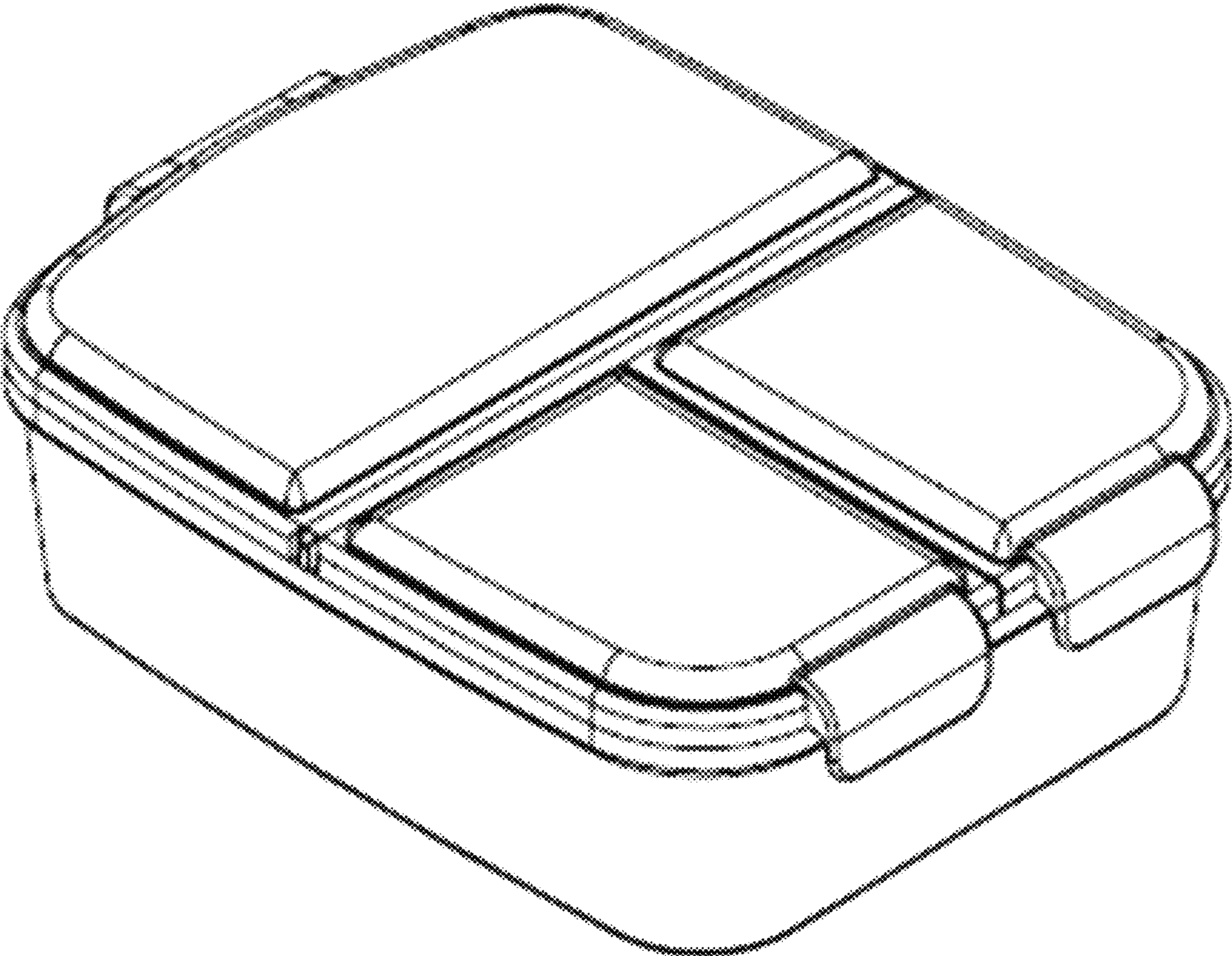
DESCRIPTION

1.1 is a perspective, showing my new design,
1.2 is a front view thereof,
1.3 is a back view thereof,
1.4 is a right view thereof,
1.5 is an left view thereof,
1.6 is a top view thereof,
1.7 is a bottom view thereof.

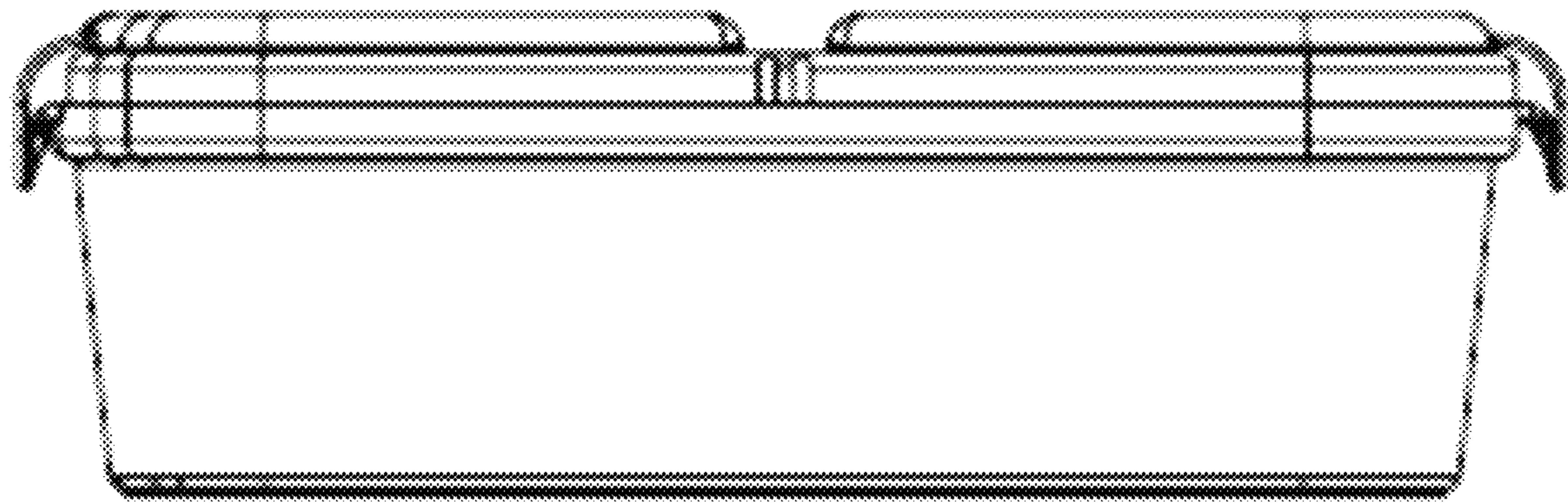
1 Claim, 7 Drawing Sheets



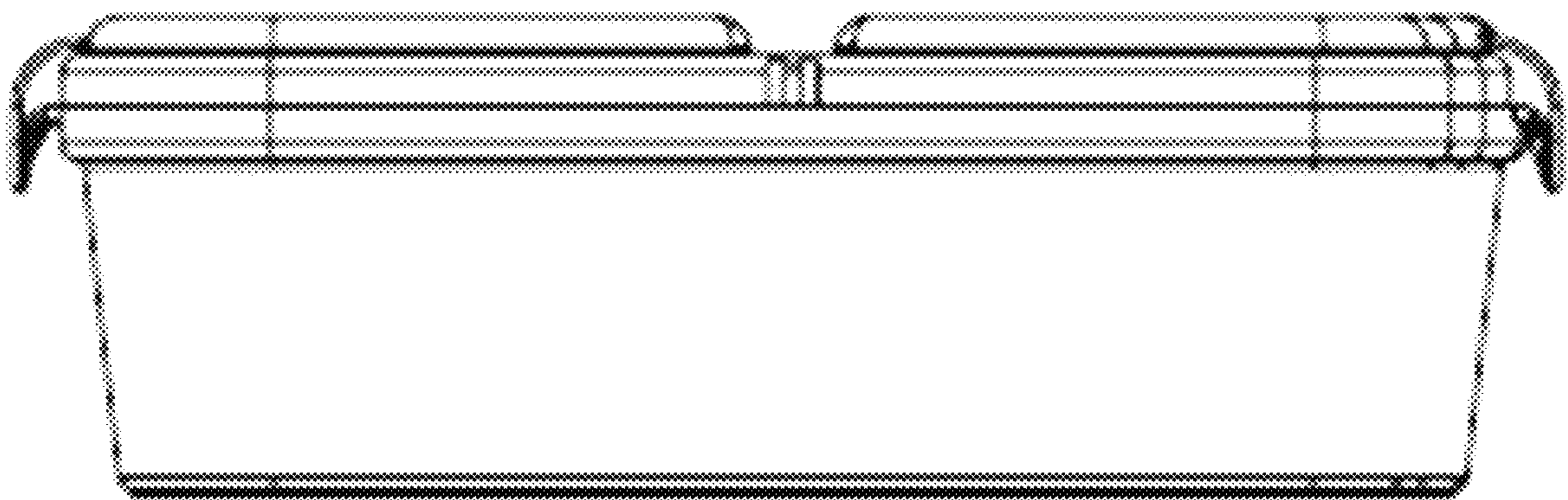
1.1



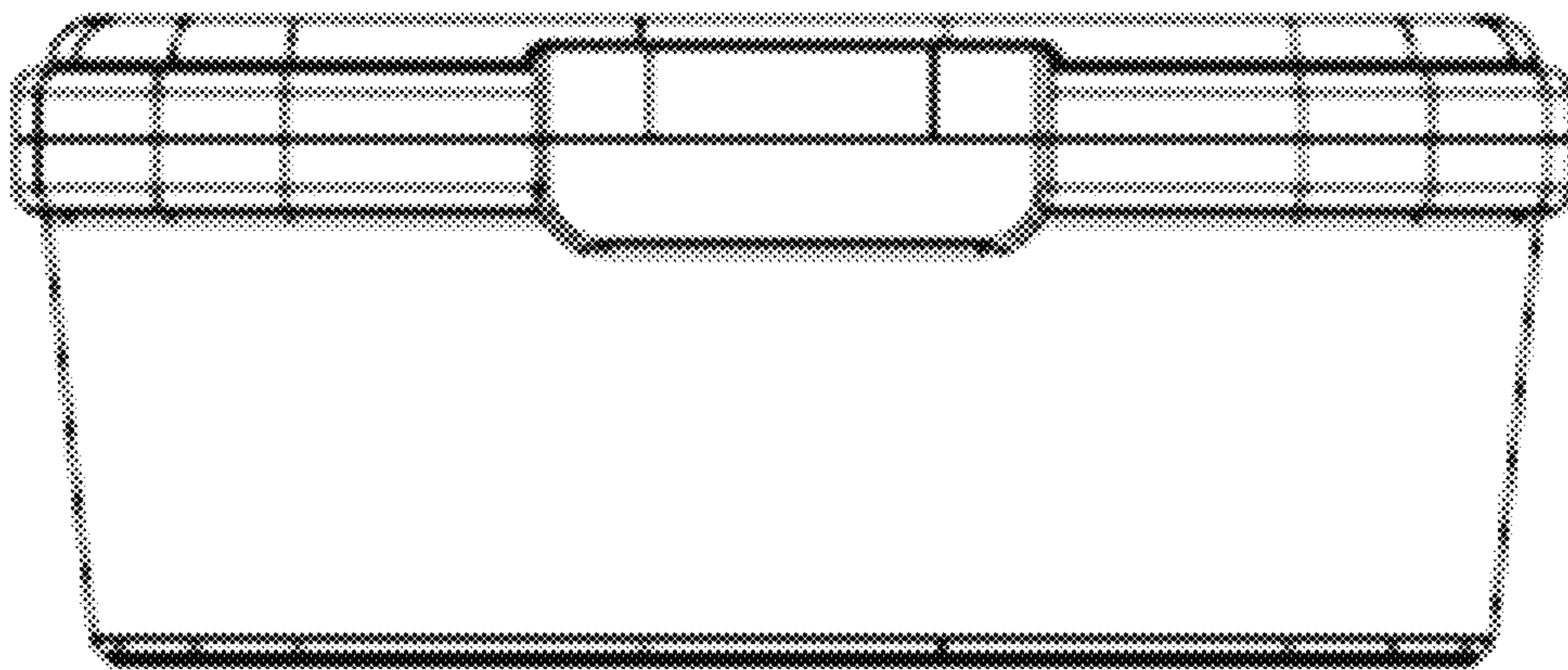
1.2



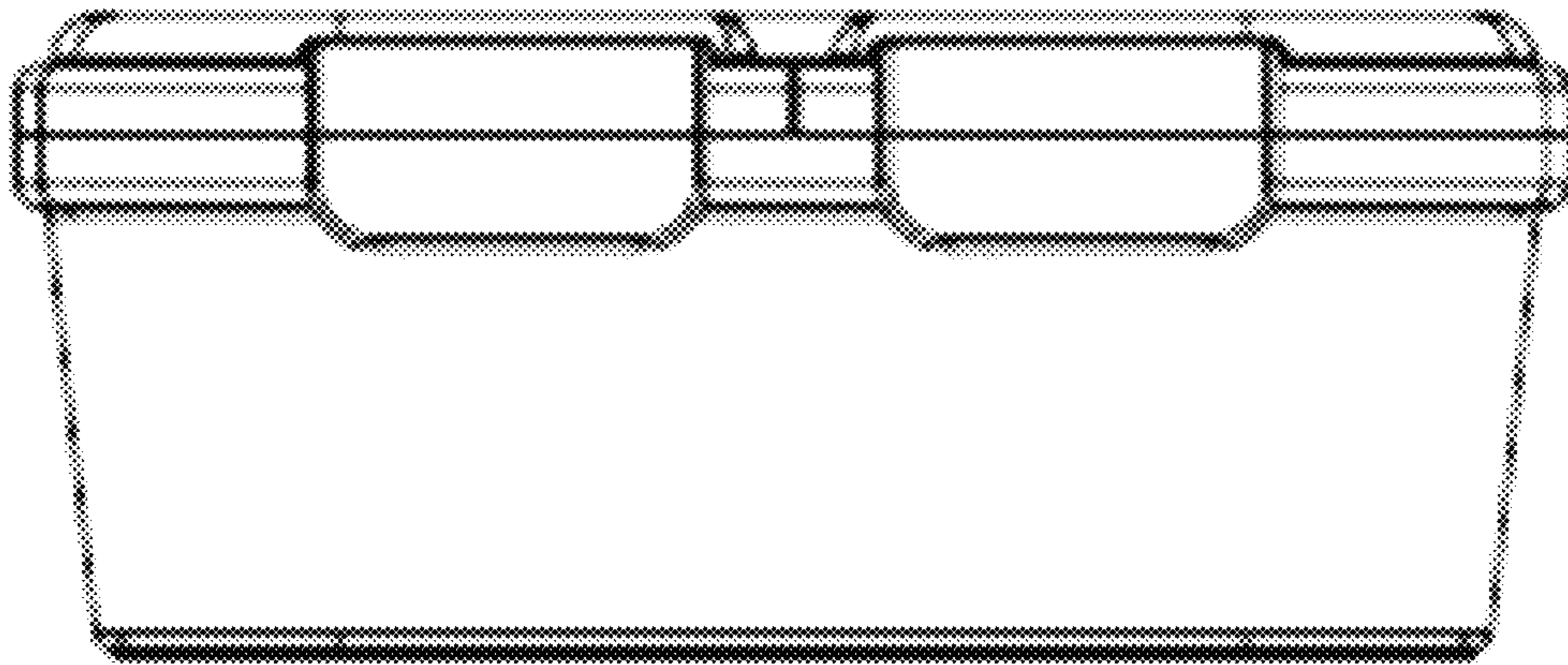
1.3



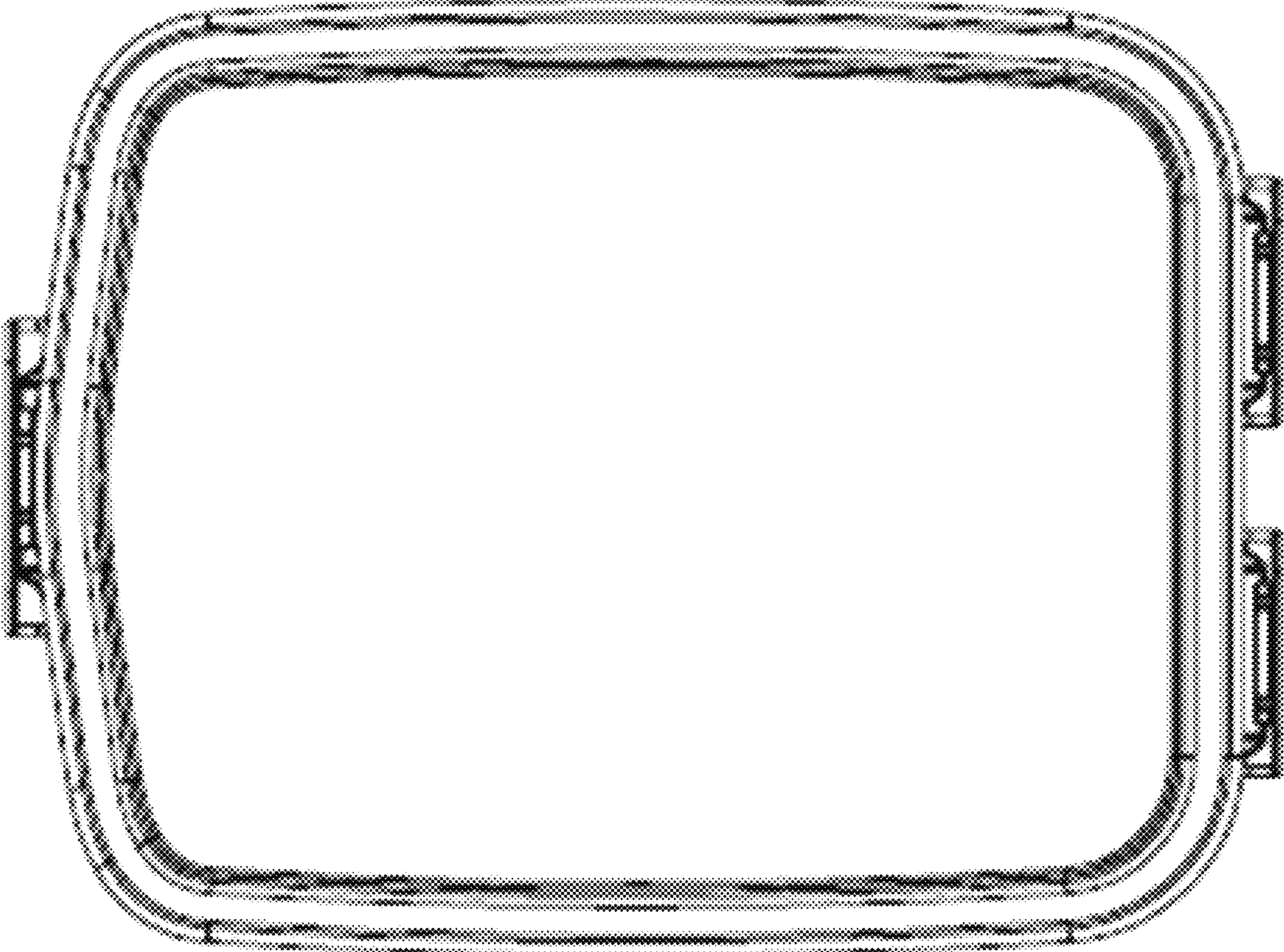
1.4



1.5



1.6



1.7

