



US00D903442S

(12) **United States Design Patent**  
**Di Martino**

(10) **Patent No.:** **US D903,442 S**

(45) **Date of Patent:** **\*\* Dec. 1, 2020**

(54) **FUNNEL**

(71) Applicant: **Pastificio Di Martino Gaetano & F.Lli S.p.A.**, Gragnano (IT)

(72) Inventor: **Giuseppe Di Martino**, Castellammare di Stabia (IT)

(73) Assignee: **PASTIFICIO DI MARTINO GAETANO & F.LLI S.P.A.**, Gragnano (IT)

(\*\*) Term: **15 Years**

(21) Appl. No.: **29/650,764**

(22) Filed: **Jun. 8, 2018**

(51) **LOC (12) Cl.** ..... **07-99**

(52) **U.S. Cl.**  
USPC ..... **D7/700**

(58) **Field of Classification Search**  
USPC ..... D7/312, 216, 318, 372, 400, 669, 691, D7/700; D8/1, 2, 34; D9/436, 719; D10/46.2, 64; D12/197; D15/136, 138, D15/150, 152, 199; D21/701; D23/200, D23/209, 212; D24/109, 112, 115, 122, D24/127, 162; D30/121, 162; D34/2  
CPC ..... B67C 11/02; B67C 11/00; B67C 2011/20; B67C 2011/30; B65D 25/48; B65D 41/04; B65D 51/24; B65D 88/26; B65D 2231/007

See application file for complete search history.

(56) **References Cited**

**U.S. PATENT DOCUMENTS**

D103,269 S \* 2/1937 Reinsberg ..... D9/436  
2,811,181 A \* 10/1957 Correll ..... B67C 11/02  
141/340  
4,850,403 A \* 7/1989 Wiese ..... B67C 11/02  
141/95  
4,901,776 A \* 2/1990 Attinello ..... B67C 11/02  
116/228

D541,116 S \* 4/2007 Upham ..... D7/700  
D589,764 S \* 4/2009 Randolph ..... D7/700  
D593,383 S \* 6/2009 Pallotto ..... D7/700

(Continued)

**FOREIGN PATENT DOCUMENTS**

EM 000602016-0001 \* 11/2006

**OTHER PUBLICATIONS**

Plastic Wide Mouth Funnel: Announced Sep. 17, 2018 [online]. Site Visited [Sep. 26, 2019]. Available from Internet URL: <https://all.biz/funnel-plastic-big-with-a-wide-mouth-g2920297RU>.\*

(Continued)

*Primary Examiner* — Catherine S Posthauer

(74) *Attorney, Agent, or Firm* — Arent Fox LLP

(57) **CLAIM**

The ornamental design for a funnel, as shown and described.

**DESCRIPTION**

FIG. 1 is a top perspective view of the funnel showing the new design;

FIG. 2 is a bottom perspective view of the design shown in FIG. 1;

FIG. 3 is a bottom view of the design shown in FIG. 1;

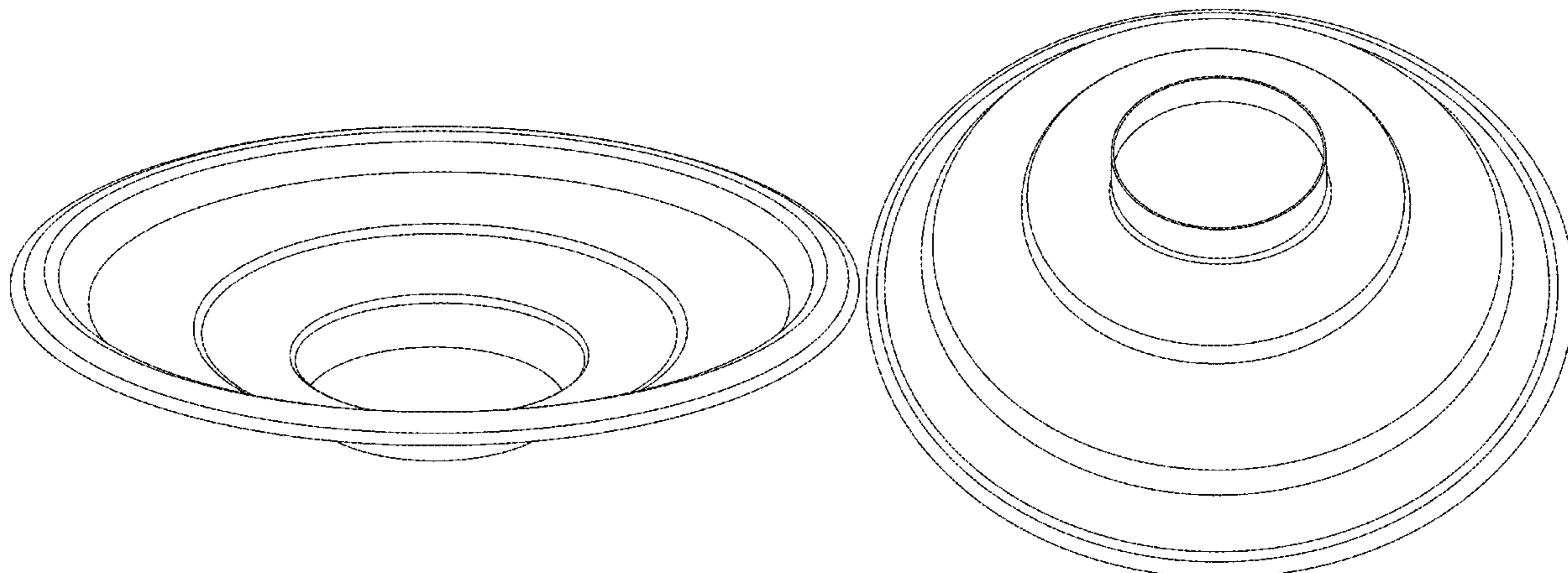
FIG. 4 is a top view of the design shown in FIG. 1;

FIG. 5 is a side view of the design shown in FIG. 1;

FIG. 6 is a cross-sectional side view of the design shown in FIG. 1 taken along dash-dot-dash line 6-6 in FIG. 3; and, FIG. 7 is a side perspective view of the funnel showing an example use position.

The dash-dot-dash line of FIG. 3 is to show the plane upon which the sectional view of FIG. 6 is taken, and forms no part of the claimed design. The broken lines of FIG. 7 are for environmental purposes only and form no part of the claimed design.

**1 Claim, 7 Drawing Sheets**



(56)

**References Cited**

U.S. PATENT DOCUMENTS

D606,373 S \* 12/2009 McCaffery ..... D7/700  
D629,269 S \* 12/2010 Okamoto ..... D7/700  
D635,398 S \* 4/2011 Watabe ..... D7/400  
9,845,233 B1 \* 12/2017 Stibinger ..... B67C 11/02  
2016/0130042 A1 \* 5/2016 Gascoine ..... B65D 41/04  
206/438  
2019/0152662 A1 \* 5/2019 Dedman ..... B65D 51/20

OTHER PUBLICATIONS

Easy Fill Jam Funnel: Announced Feb. 6, 2018 [online]. Site visited [Sep. 26, 2019]. Available from Internet URL: <https://www.lakeland.co.uk/3802/Easy-Fill-Jam-Funnel>.\*

La Devozione Pasta Funnel: Announced Dec. 19, 2019 [online]. Site Visited [Jul. 14, 2020]. Available from Internet URL: <https://www.facebook.com/ladevozionespaghetitogo/photos/a.639102622926938/1199216950248833/?type=3&theater>.\*

La Devozione Pasta Funnel: Announced Dec. 19, 2019 [online]. Site Visited [Jul. 14, 2020]. Available from Internet URL: <https://www.facebook.com/ladevozionespaghetitogo/photos/a.639102622926938/1144466465723882/?type=3&theater>.\*

\* cited by examiner

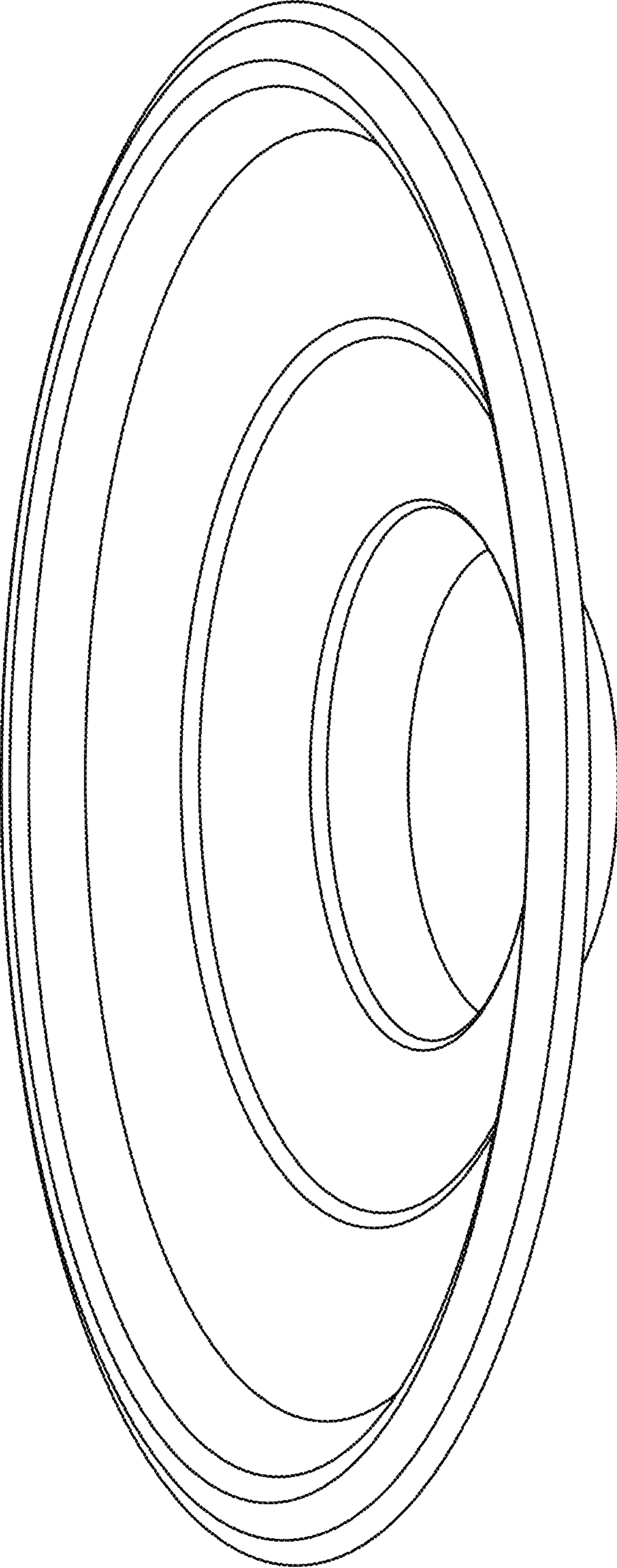


FIG. 1

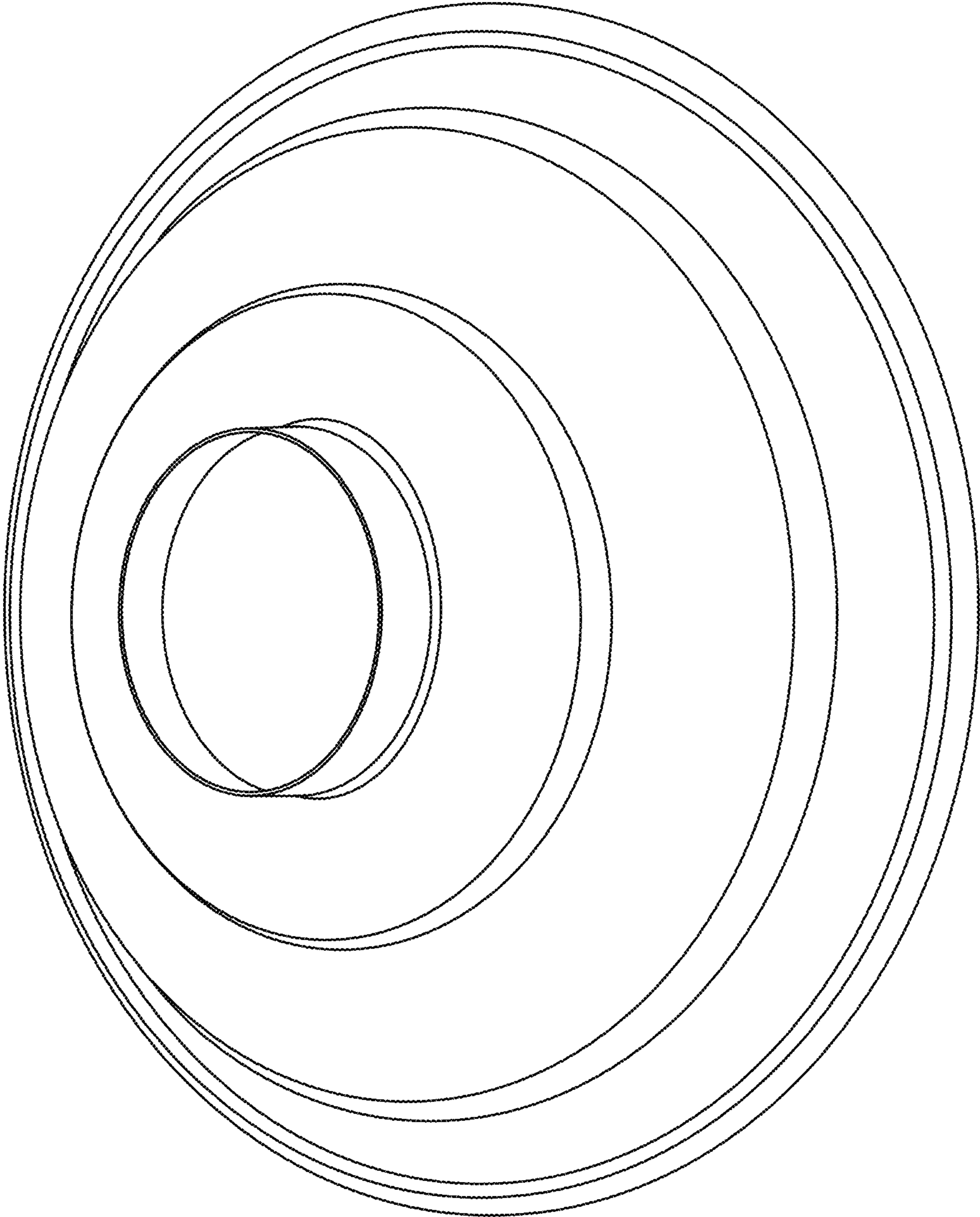


FIG. 2

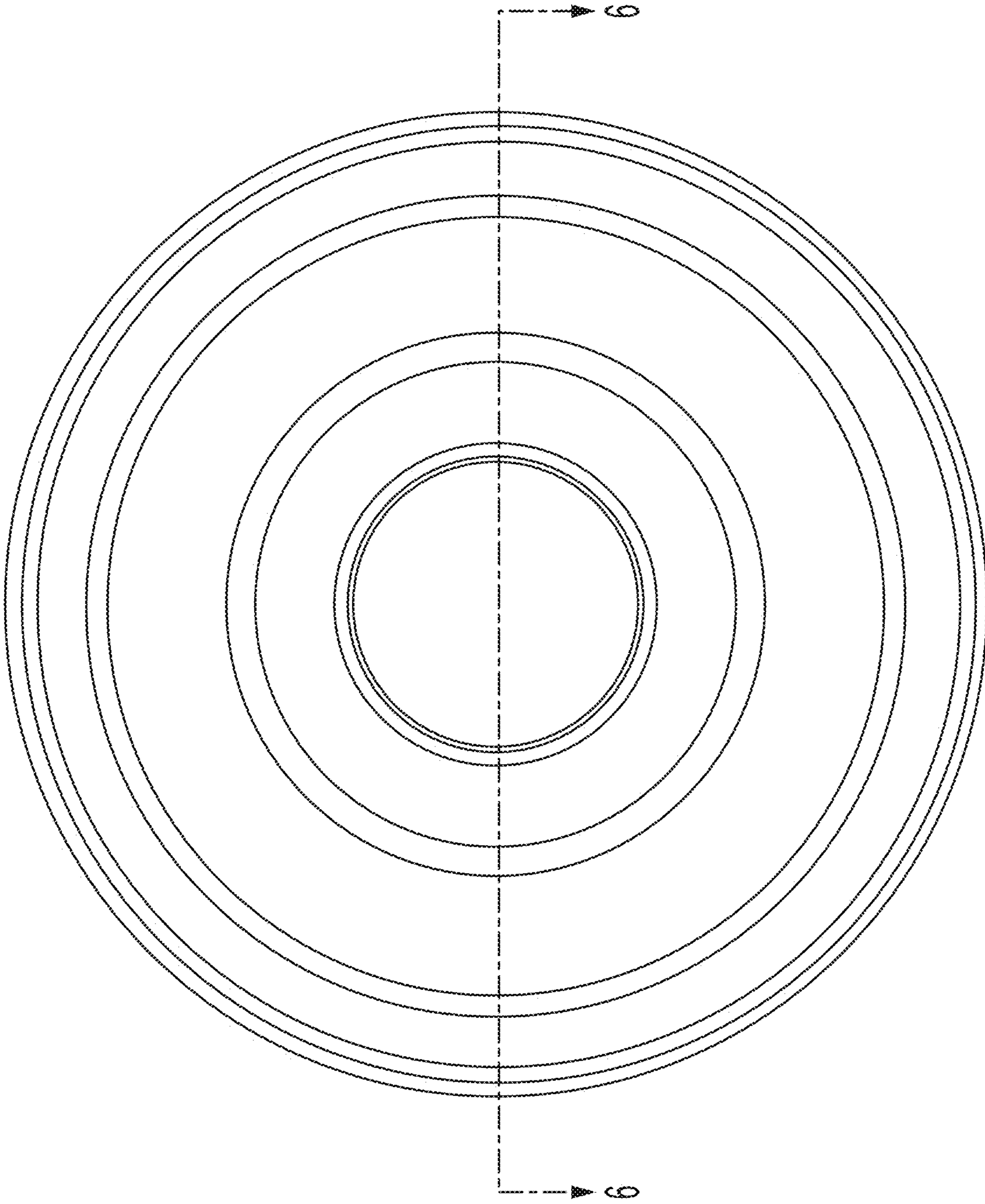


FIG. 3

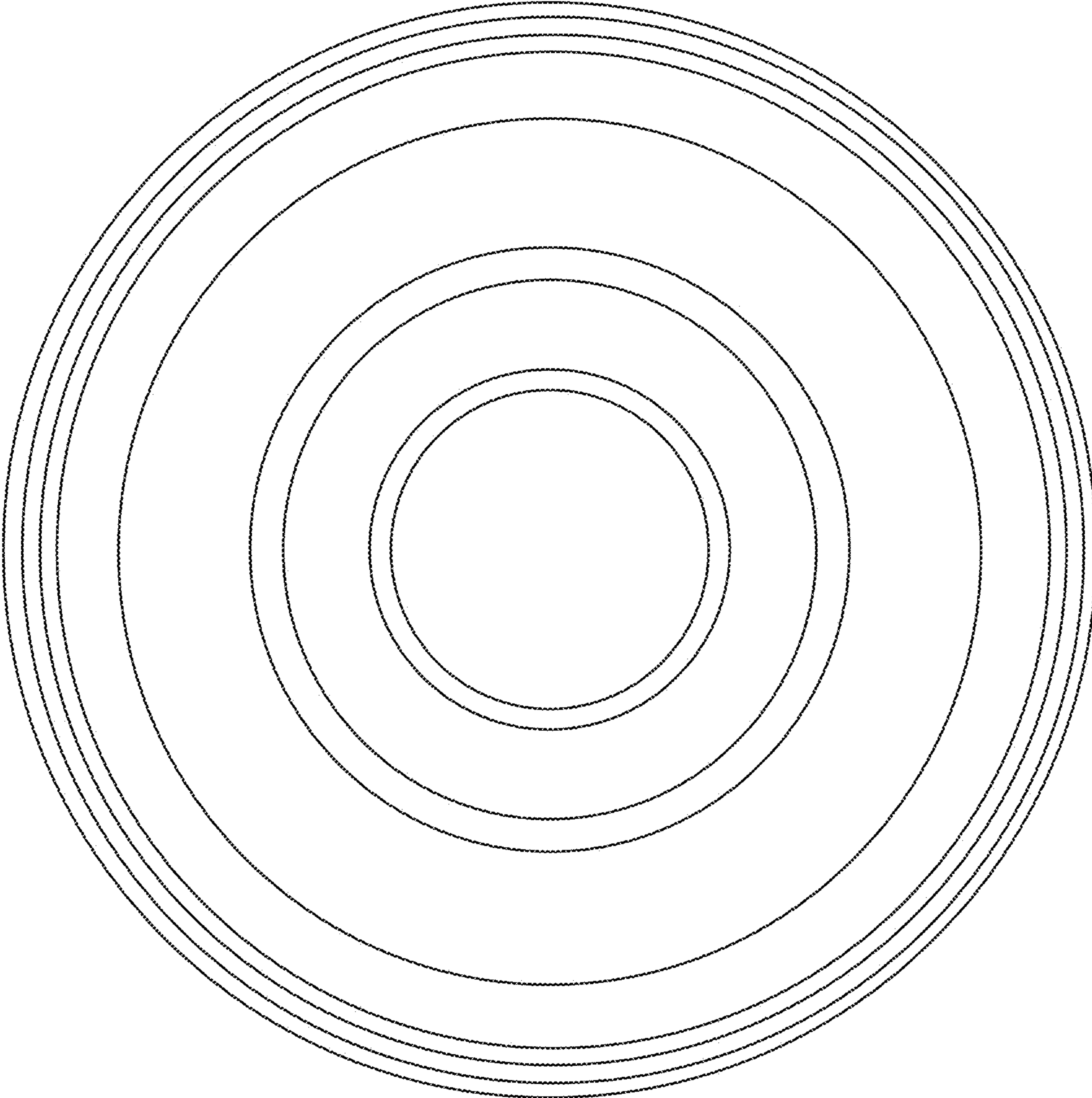


FIG. 4

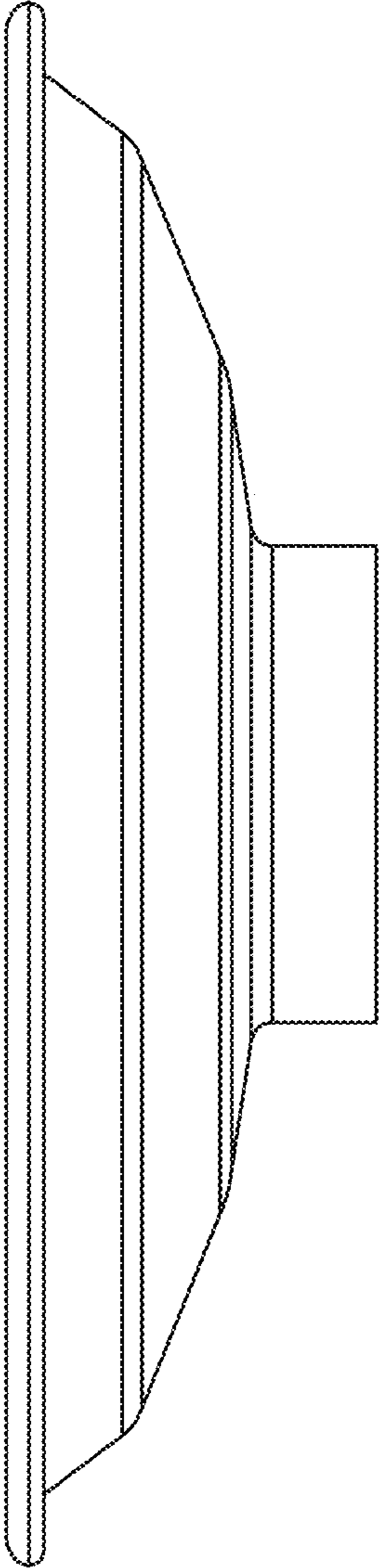


FIG. 5

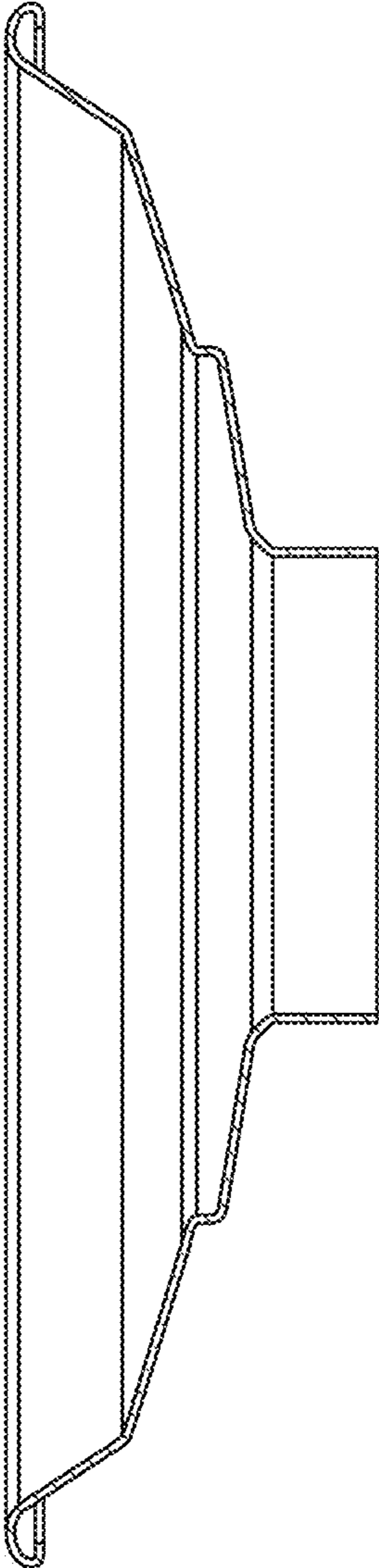


FIG. 6



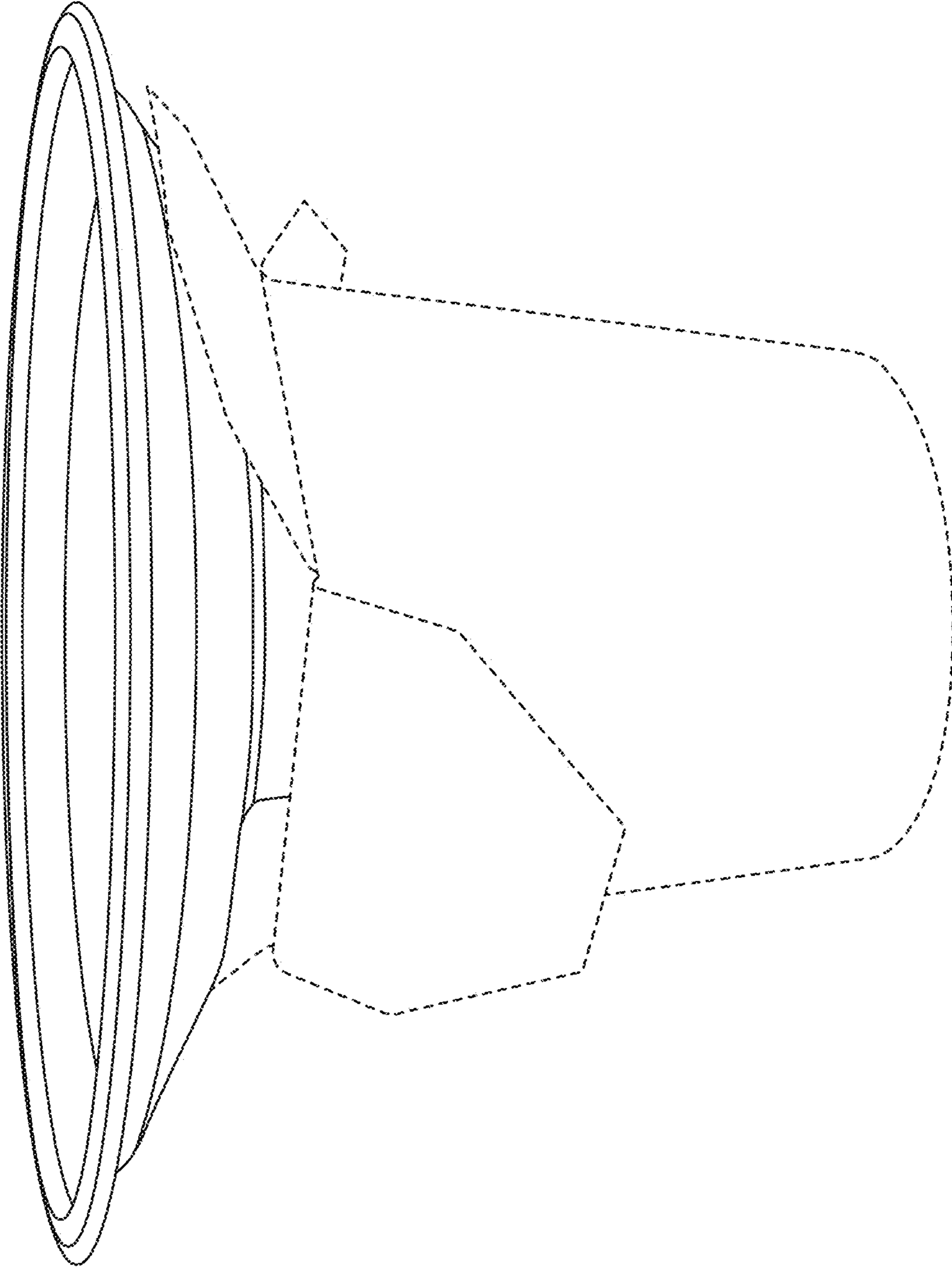


FIG. 7