



US00D903440S

(12) **United States Design Patent**
Super et al.

(10) **Patent No.:** **US D903,440 S**
(45) **Date of Patent:** **** Dec. 1, 2020**

(54) **SKEWER DEVICE**

2005/0200141 A1* 9/2005 Jones A47J 37/04
294/61

(71) Applicant: **IP File Worldwide Ltd.**, Tortola (VG)

* cited by examiner

(72) Inventors: **Neal Super**, Rye, NY (US); **Gina Super**, Rye, NY (US)

Primary Examiner — Terry A Wallace
(74) *Attorney, Agent, or Firm* — Kim IP Law Group PLLC

(73) Assignee: **IP File Worldwide Ltd.**, Tortola (VG)

(57) **CLAIM**

(**) Term: **15 Years**

The ornamental design for a skewer device, as shown and described.

(21) Appl. No.: **29/687,952**

DESCRIPTION

(22) Filed: **Apr. 17, 2019**

(51) **LOC (12) Cl.** **07-02**

(52) **U.S. Cl.**
USPC **D7/683**

(58) **Field of Classification Search**

USPC D7/680–696, 368, 669
CPC A47J 37/04; A47J 37/041; A47J 37/0694;
A47J 33/00; A47J 43/18; A47G 21/023
See application file for complete search history.

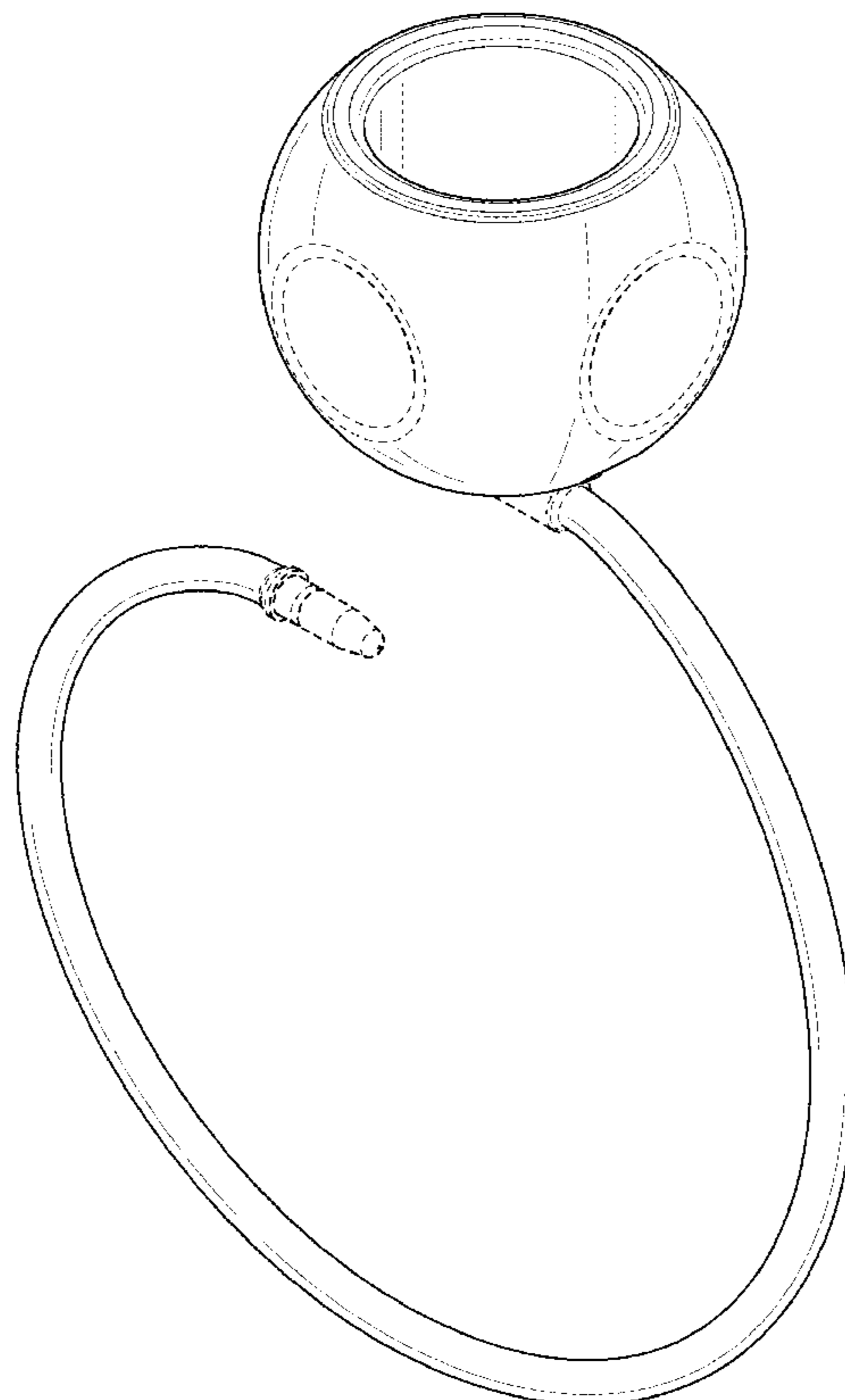
FIG. 1 is a perspective view of a skewer device in accordance with the new design;
FIG. 2 is a front elevational view of the skewer device of FIG. 1;
FIG. 3 is a rear elevational view of the skewer device of FIG. 1;
FIG. 4 is a right side elevational view of the skewer device of FIG. 1;
FIG. 5 is a left side elevational view of the skewer device of FIG. 1;
FIG. 6 is a top plan view of the skewer device of FIG. 1;
FIG. 7 is a bottom plan view of the skewer device of FIG. 1;
FIG. 8 is an exploded perspective view of the skewer device of FIG. 1; and,
FIG. 9 is a front elevational view of the skewer device of FIG. 1 in an assembled state.
The broken lines in FIGS. 1-9 illustrate portions of the skewer device which form no part of the claimed design.

(56) **References Cited**

U.S. PATENT DOCUMENTS

D411,721 S * 6/1999 Fielding D7/683
D512,885 S * 12/2005 Zemel D7/683
D513,947 S * 1/2006 Zemel D7/684
D672,214 S * 12/2012 Zemel D7/683

1 Claim, 9 Drawing Sheets



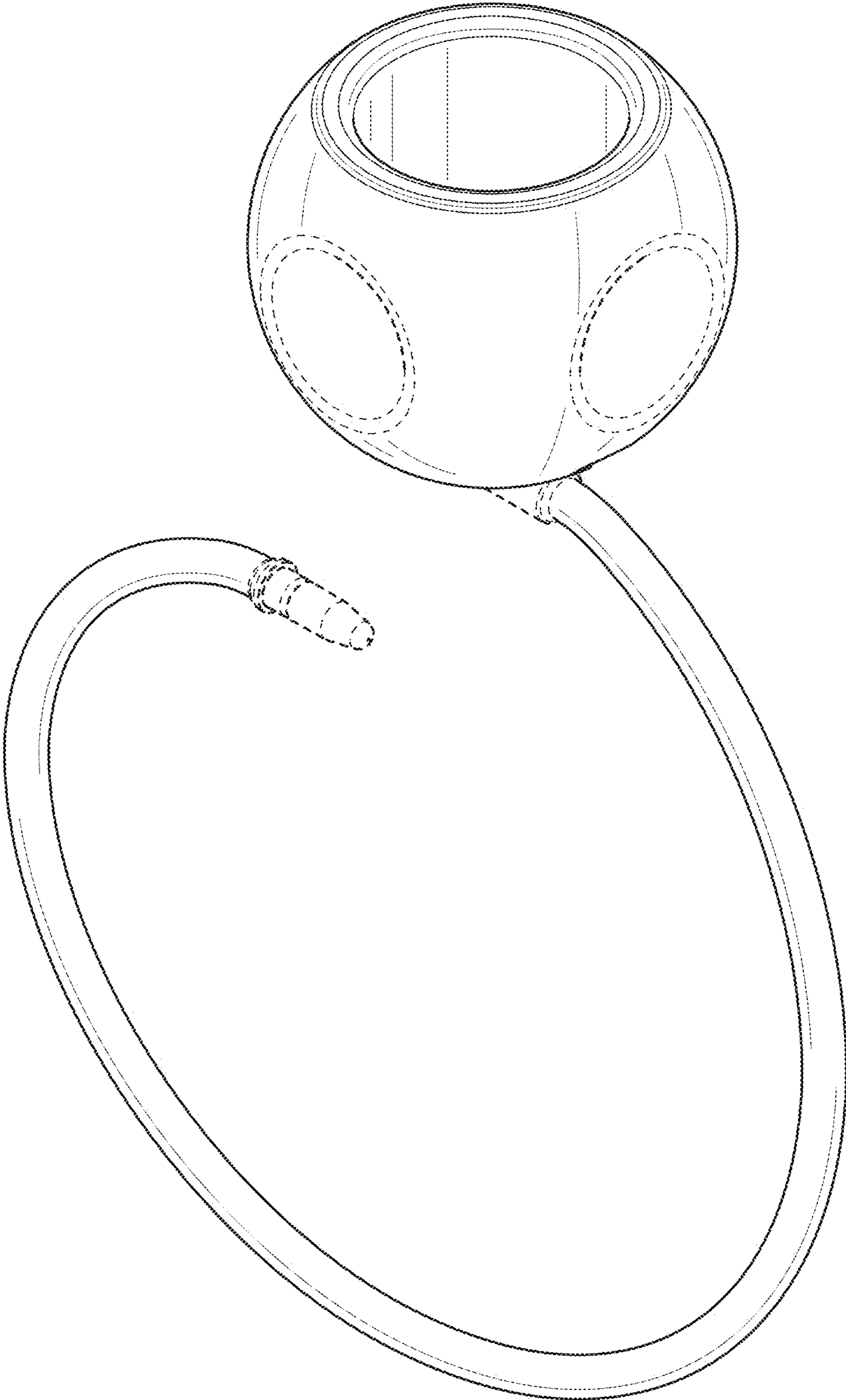


FIG. 1

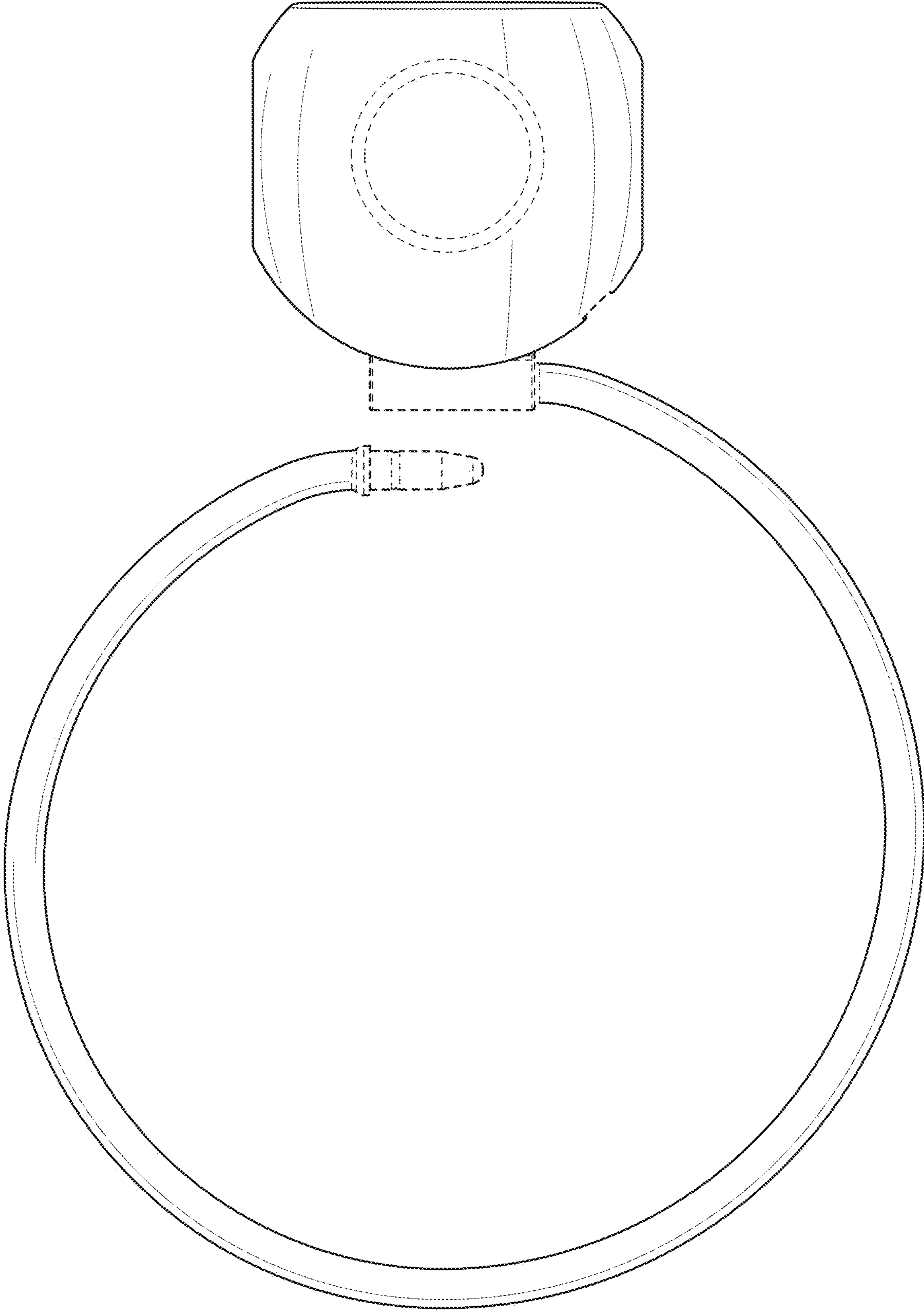


FIG. 2

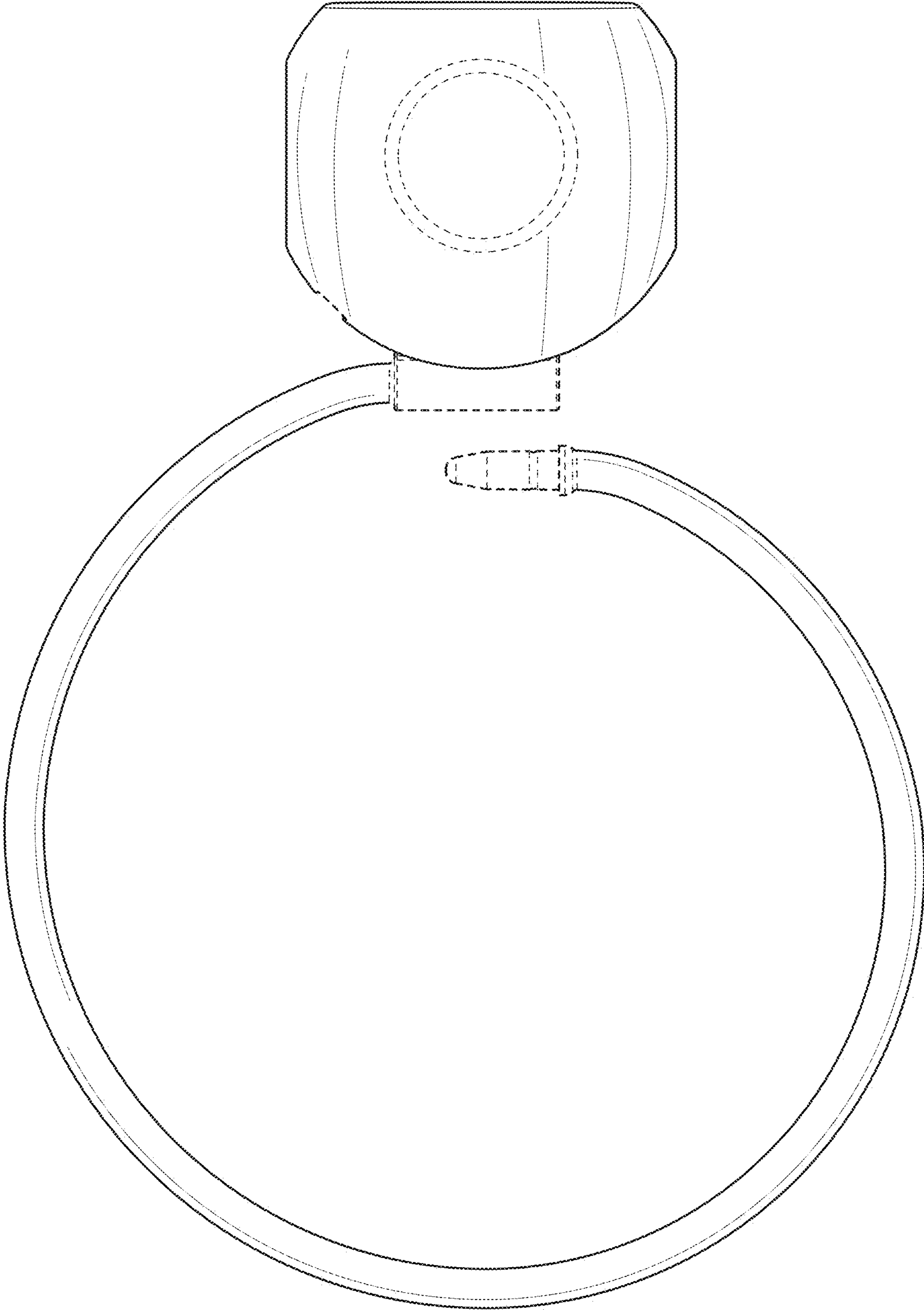


FIG. 3

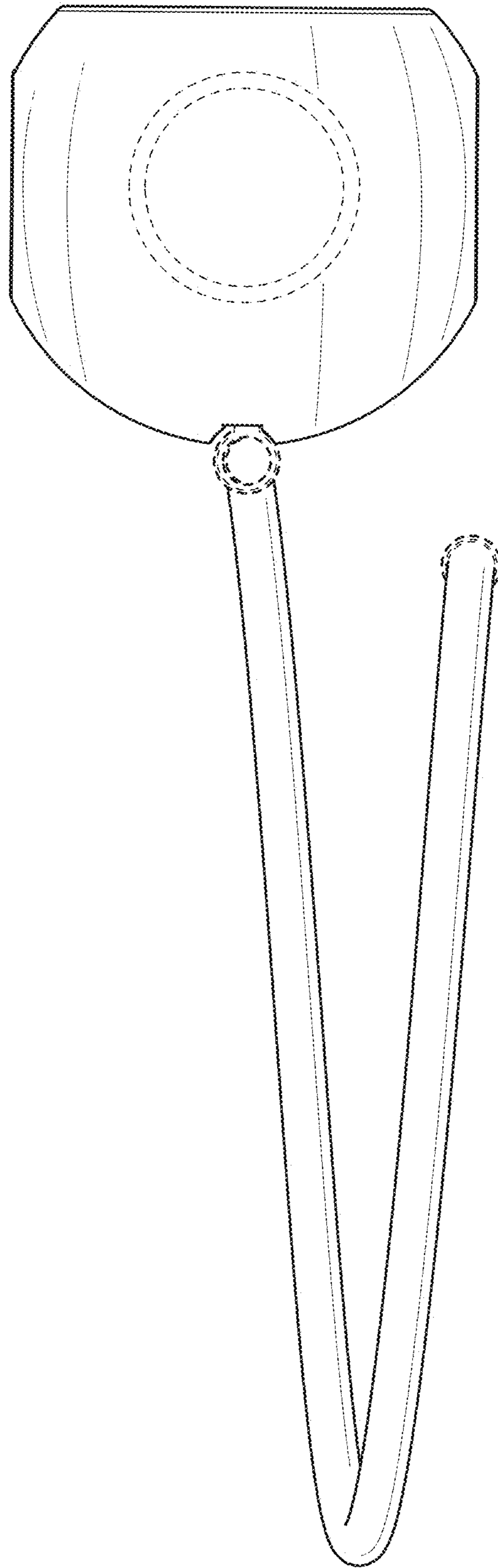


FIG. 4

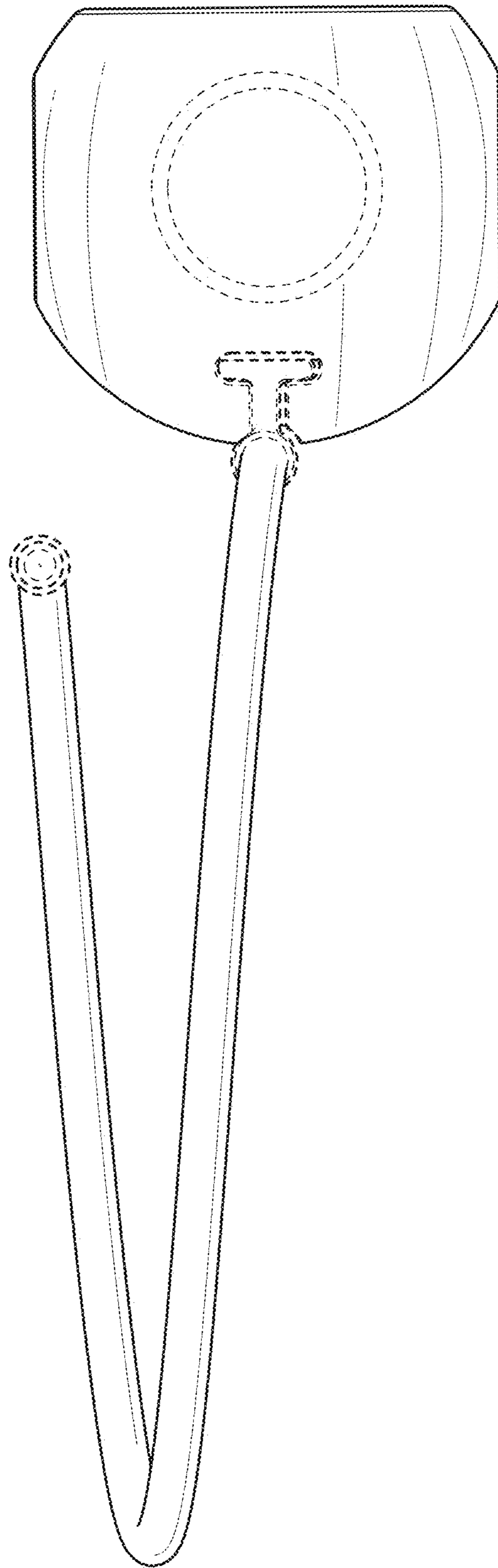


FIG. 5

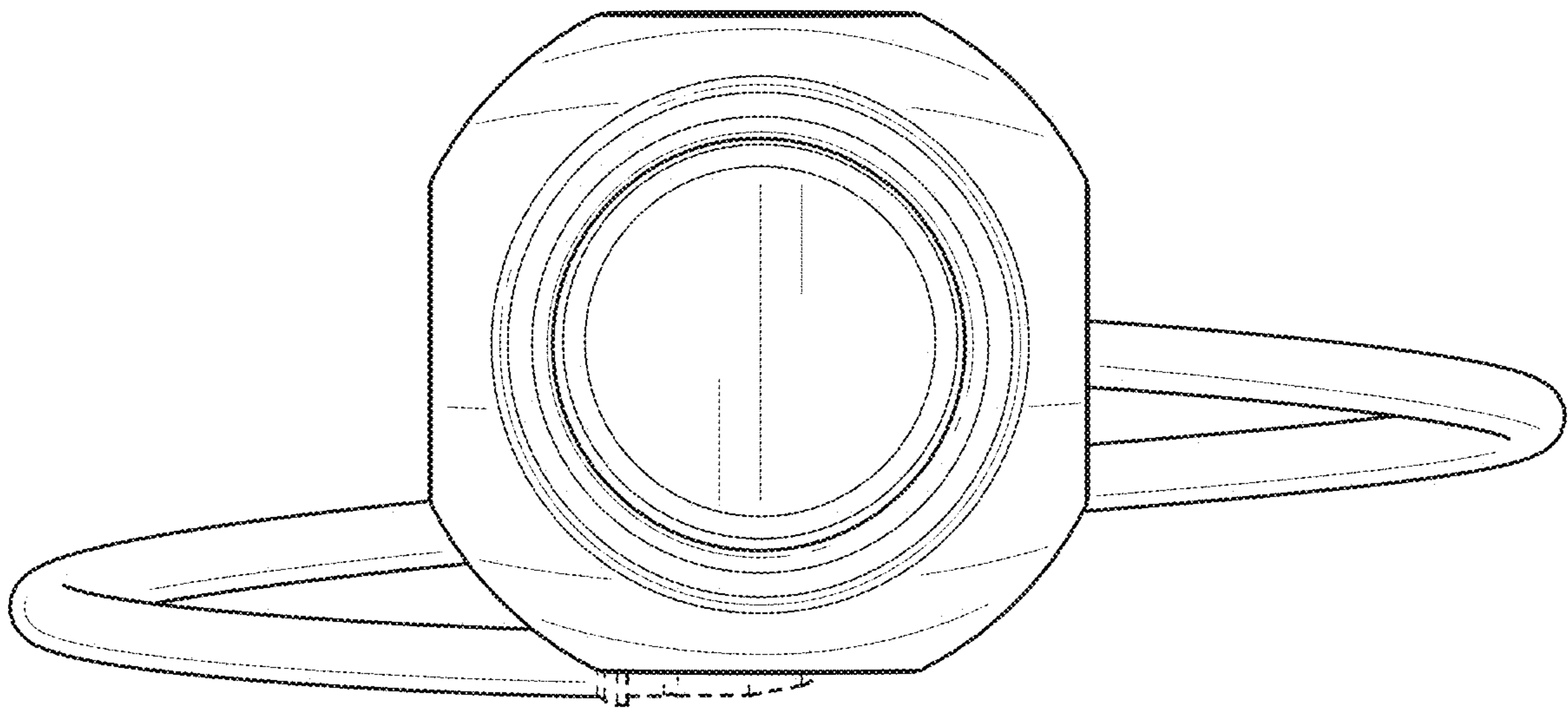


FIG. 6

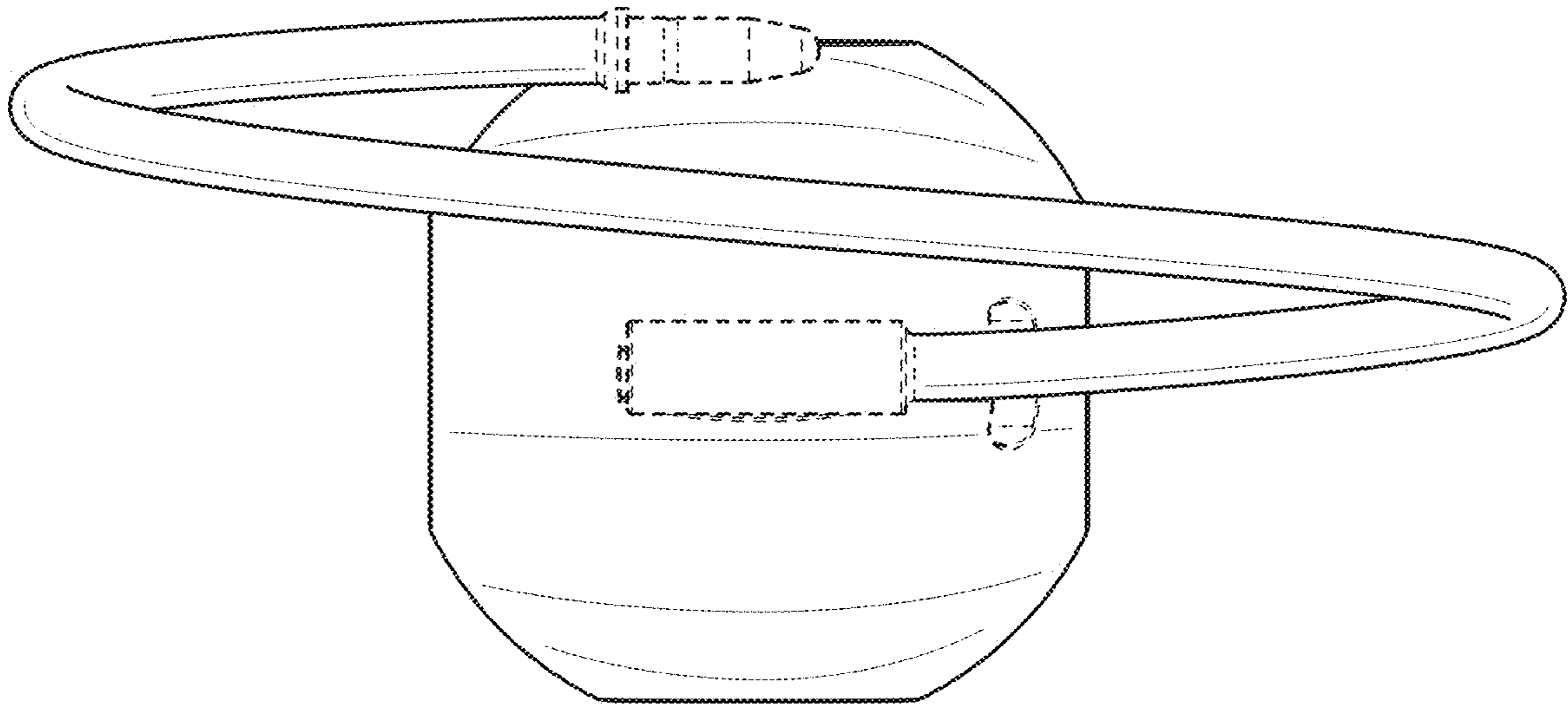


FIG. 7

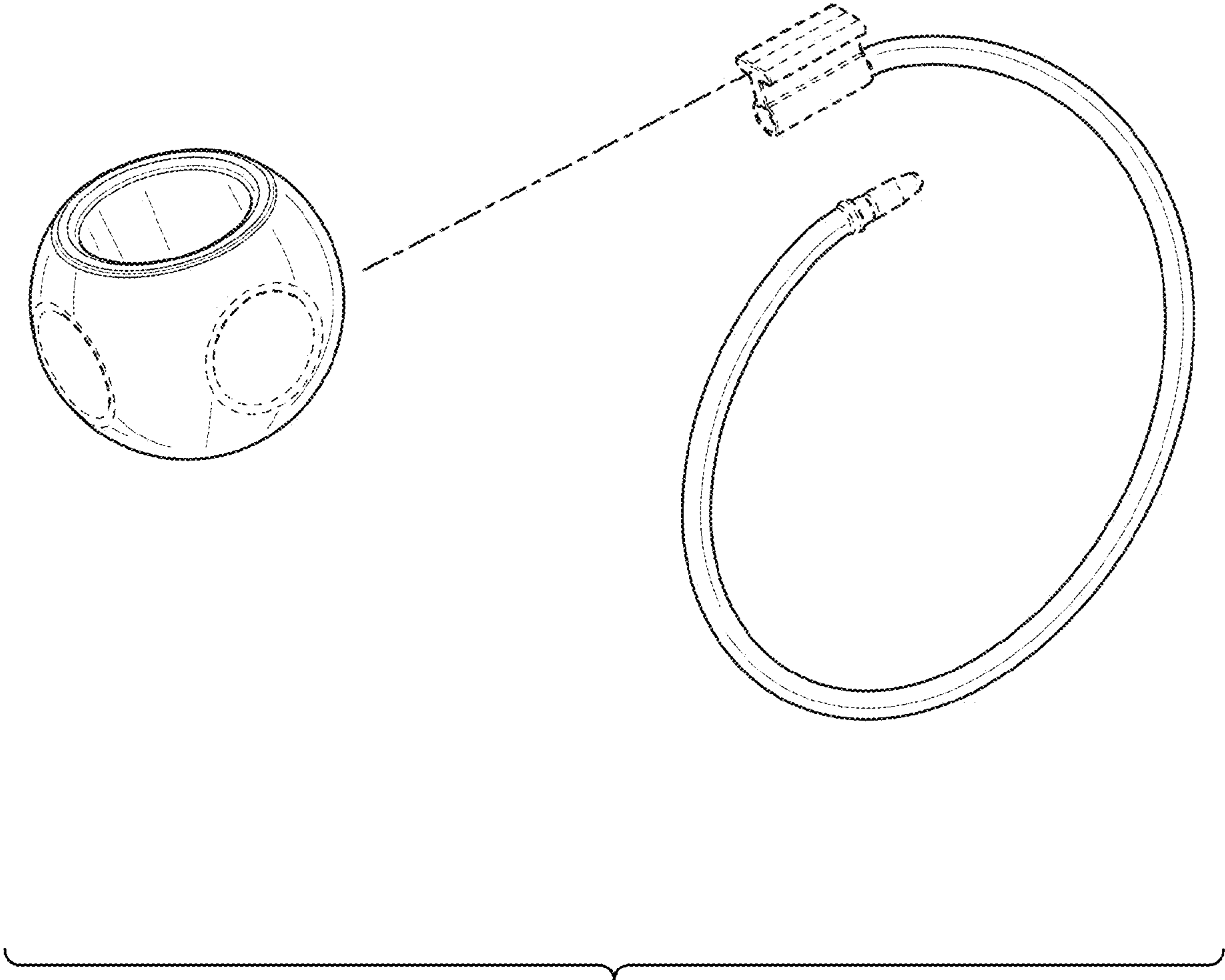


FIG. 8

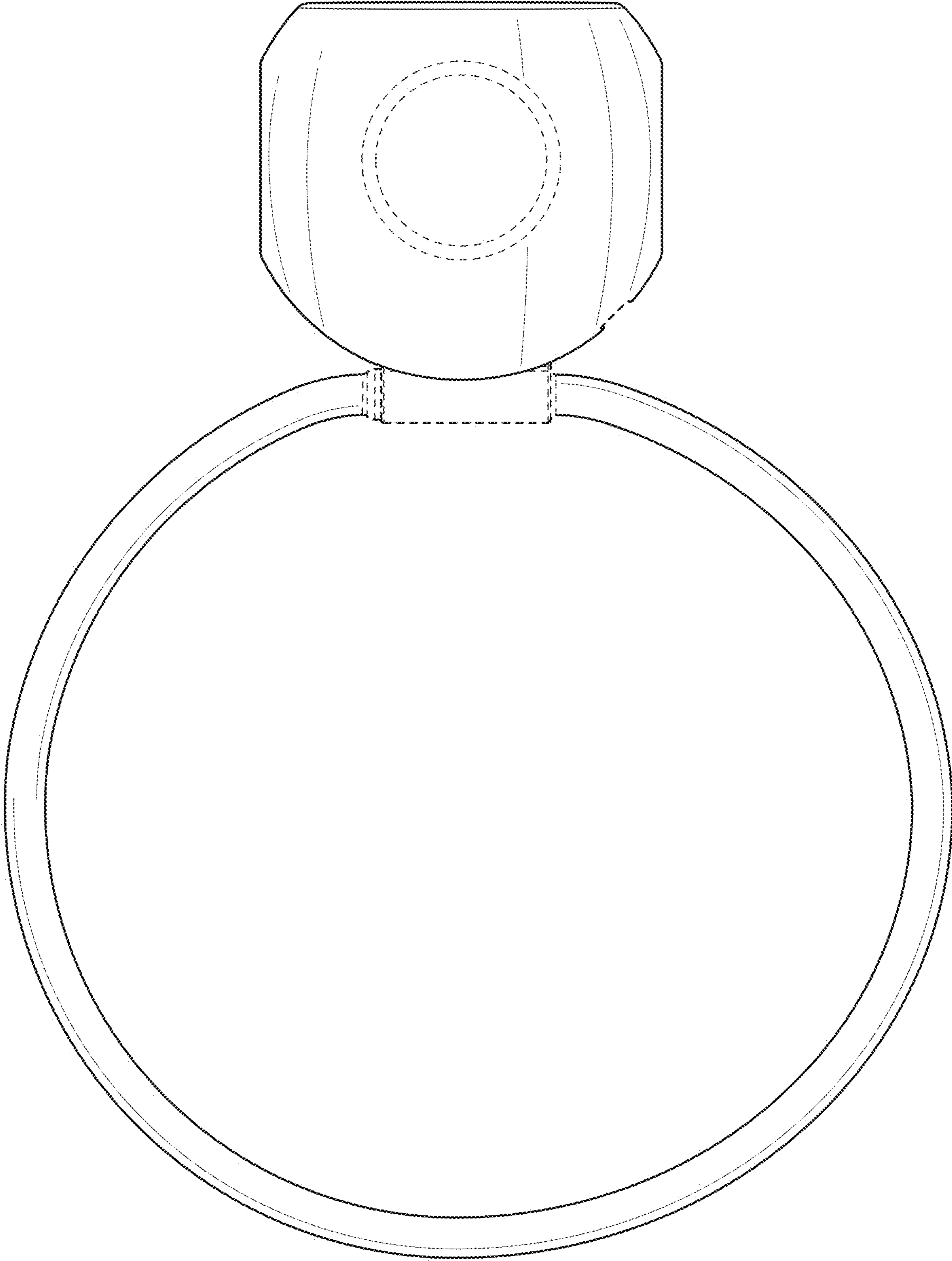


FIG. 9