



US00D903435S

(12) **United States Design Patent** (10) **Patent No.:** **US D903,435 S**
Schneider (45) **Date of Patent:** **** Dec. 1, 2020**

(54) **GRILL WEIGHT**

(71) Applicant: **Marc Whitney Schneider**, San Antonio, TX (US)

(72) Inventor: **Marc Whitney Schneider**, San Antonio, TX (US)

(**) Term: **15 Years**

(21) Appl. No.: **29/685,851**

(22) Filed: **Apr. 1, 2019**

(51) **LOC (12) Cl.** **07-04**

(52) **U.S. Cl.**
USPC **D7/669**

(58) **Field of Classification Search**
USPC D7/391, 392, 392.1, 396.2, 509, 510, D7/511, 607, 669, 665, 693, 700, 675, D7/672, 410, 409, 334; D9/424, 430, D9/435, 440, 445, 447, 449, 450, 451, D9/452, 503, 525; D10/46.1
CPC A47J 37/108; A47J 43/18; A47J 43/00
See application file for complete search history.

(56) **References Cited**

U.S. PATENT DOCUMENTS

2,241,317 A	5/1941	Pringle	
D140,707 S	5/1945	Gibson	
D218,272 S *	8/1970	Bothe	D8/19
D270,121 S *	8/1983	Brown	D11/133
D273,964 S *	5/1984	Roth	273/157 R
D282,136 S	1/1986	Skermetta	
D330,831 S	11/1992	Ng	
D335,749 S *	5/1993	Brittain	D99/32
D433,898 S *	11/2000	Hunt	D8/38
D543,073 S	5/2007	Rich	
D556,918 S *	12/2007	Woodring	D25/113
7,586,067 B2	9/2009	Hill	
D610,474 S *	2/2010	Cowen	D10/46.1

7,703,387 B2	4/2010	Muskat et al.	
D623,001 S	9/2010	Lovay	
D653,508 S *	2/2012	Nguyen	D7/675
D665,236 S *	8/2012	Zemel	D7/675
D666,062 S *	8/2012	Zemel	D7/675
D821,171 S *	6/2018	Barr	D8/38
D840,198 S	2/2019	Borovicka	
2003/0221565 A1 *	12/2003	Finke	A47J 43/18 99/419
2004/0074398 A1	4/2004	Griffin et al.	

OTHER PUBLICATIONS

H-E-B, Cocinaware Cast Iron Texas Pan, available at <https://www.heb.com/product-detail/cocinaware-cast-iron-texas-pan/2086945>.
Lodge, Rectangular Cast Iron Grill Press 6.75" x 4.5", available at <https://shop.lodgemfg.com/specialty/rectangular-cast-iron-grill-press-6-75-by-4-5.asp>.
Lodge, Round Cast Iron Grill Press 7.5", available at <https://shop.lodgemfg.com/specialty/round-cast-iron-grill-press-7-5.asp>.

(Continued)

Primary Examiner — Karen S Acker
Assistant Examiner — Steven B Reingholdt, Jr.
(74) *Attorney, Agent, or Firm* — Volk & McElroy, LLP; Michael D. Volk Jr.

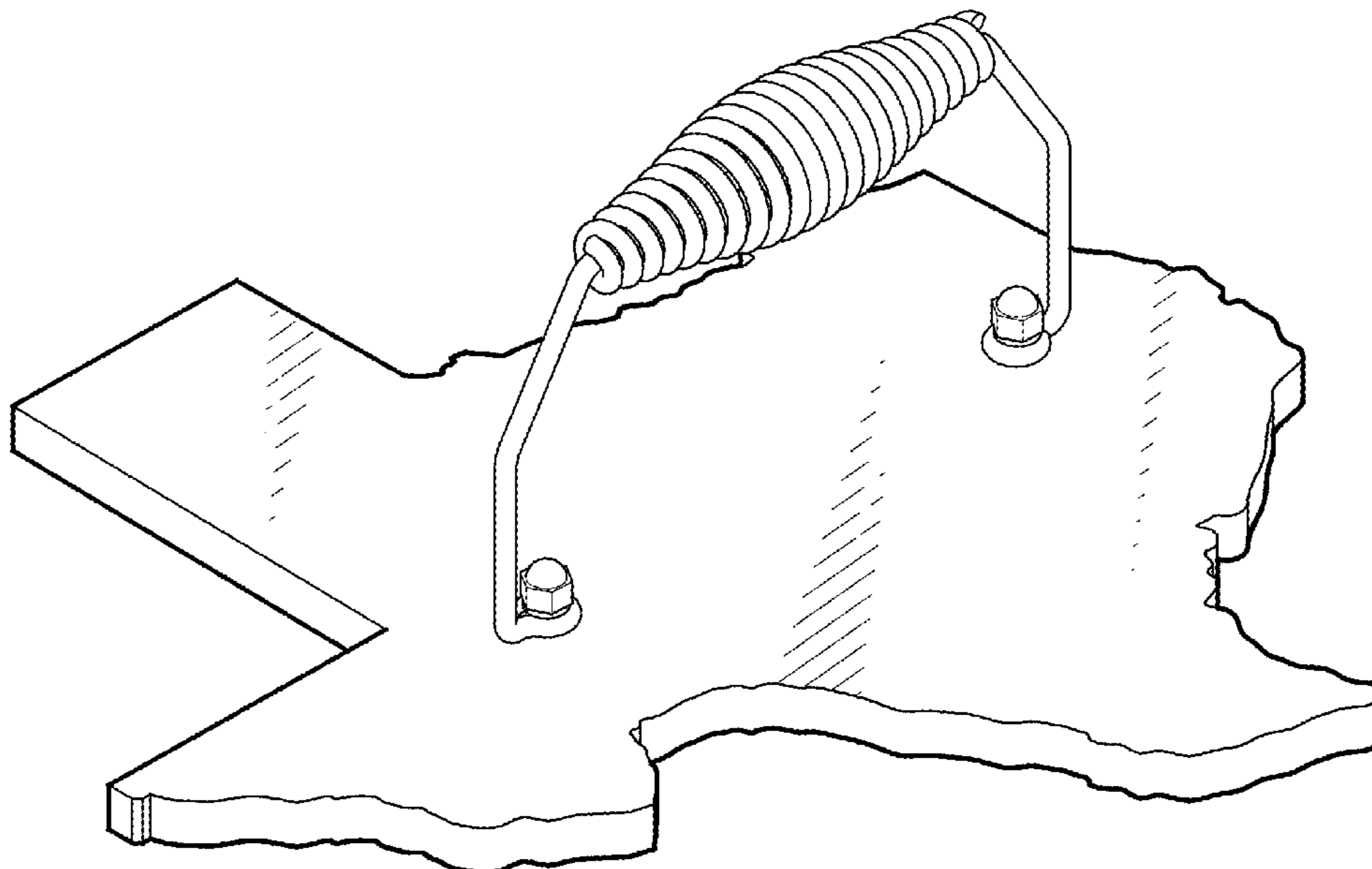
(57) **CLAIM**

The ornamental design for a grill weight, as shown.

DESCRIPTION

FIG. 1 is a perspective view of a grill weight showing my new design.
FIG. 2 is a front view thereof.
FIG. 3 is a bottom view thereof.
FIG. 4 is a top view thereof.
FIG. 5 is a left side view thereof.
FIG. 6 is a right side view thereof; and,
FIG. 7 is a rear view thereof.

1 Claim, 5 Drawing Sheets



(56)

References Cited

OTHER PUBLICATIONS

Odditymall, State Shaped Cast Iron Skillet Pans, Feb. 12, 2015, available at <https://odditymall.com/state-shaped-cast-iron-skillet-pans>.

Texas Capitol Gift Shop, Texas Shaped Waffle Iron, available at <http://www.texascapitolgiftshop.com/983557/texas-shaped-waffle-iron.html>.

Williams Sonoma, Grill Press, available at <https://www.williams-sonoma.com/products/grill-press/>.

* cited by examiner

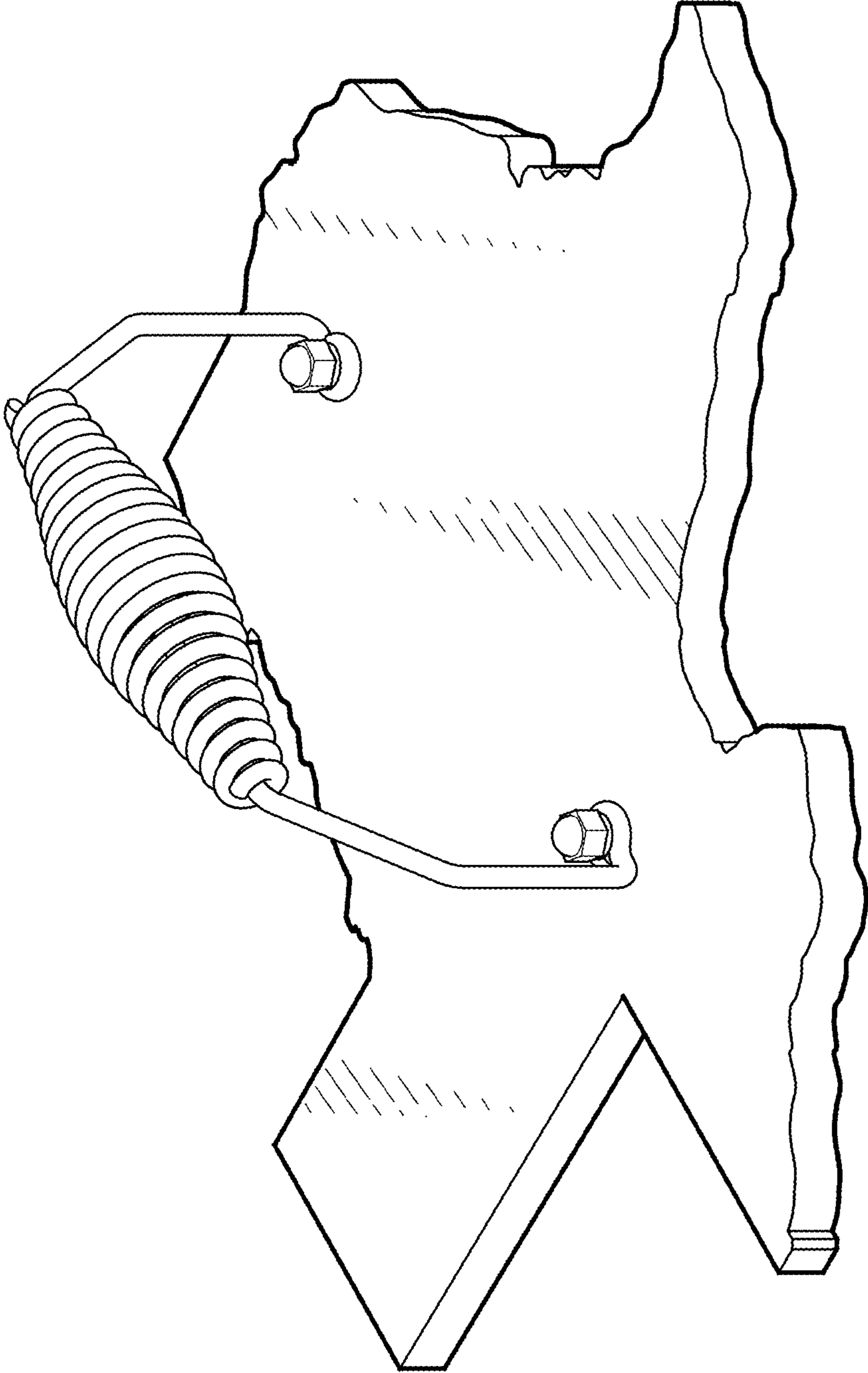


FIG. 1

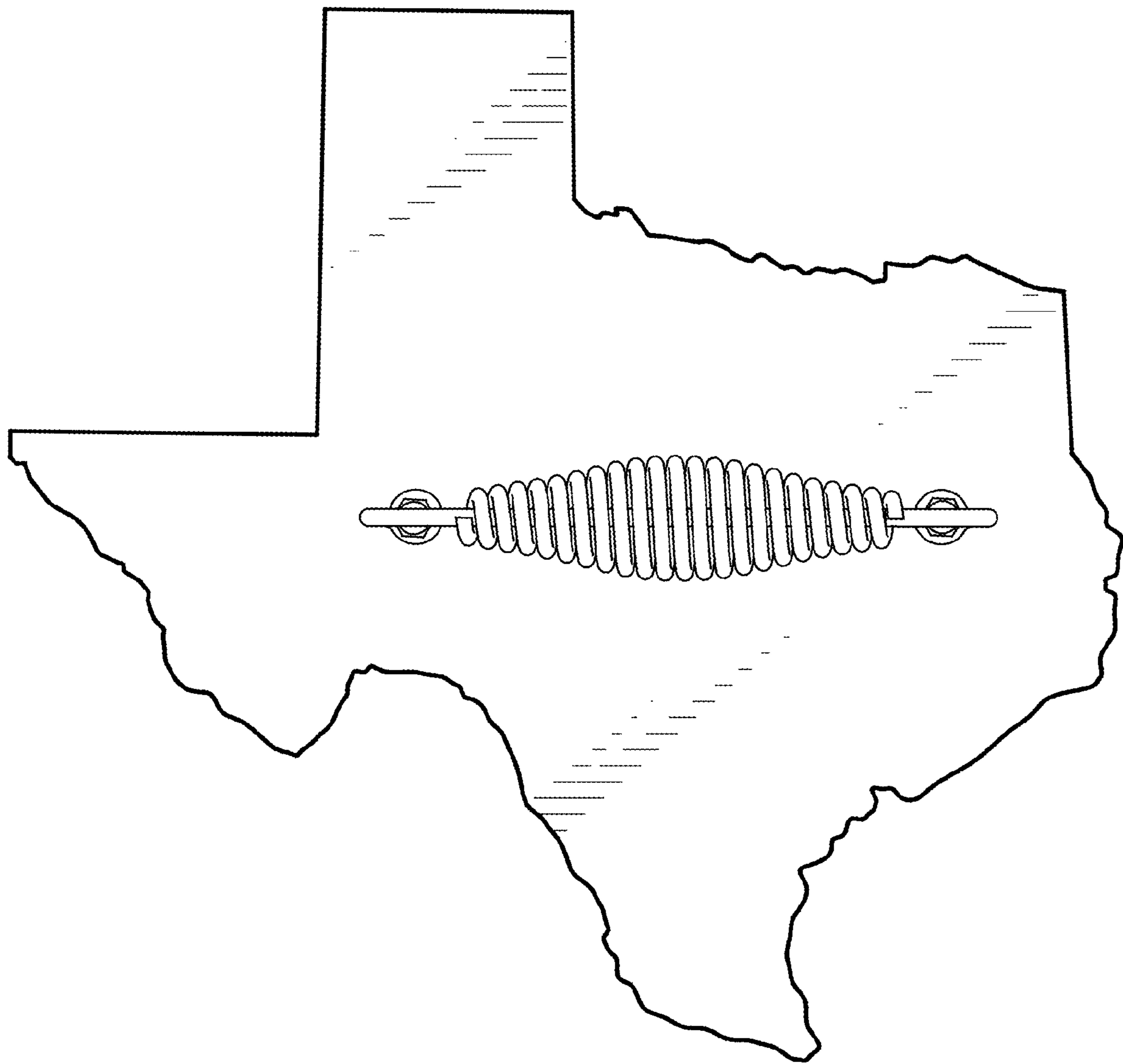


FIG. 2

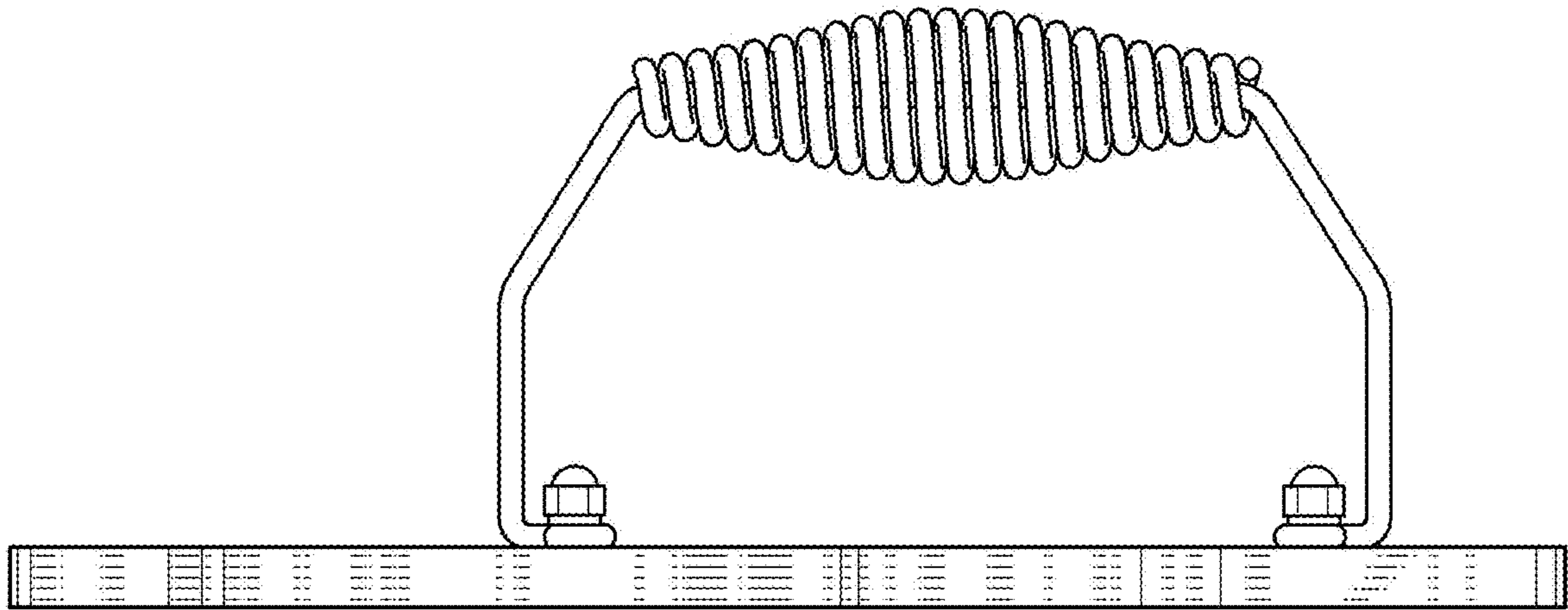


FIG. 3

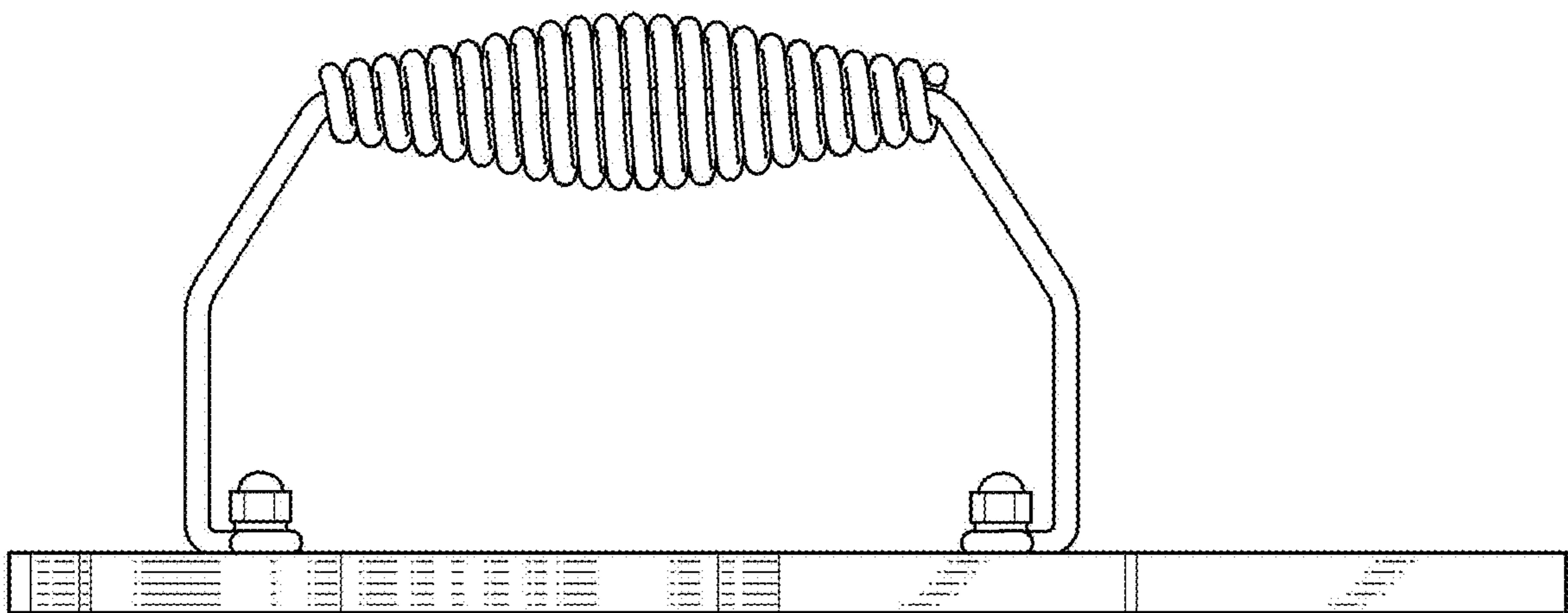


FIG. 4

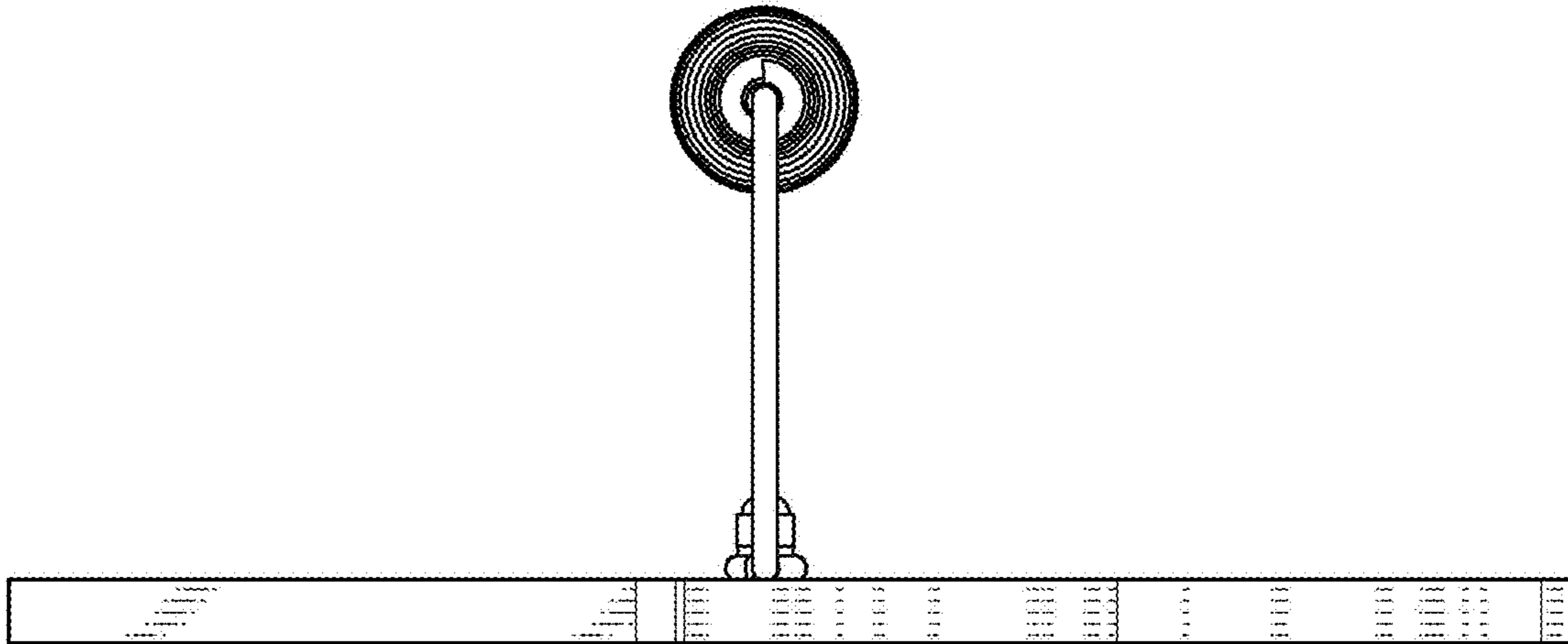


FIG. 5

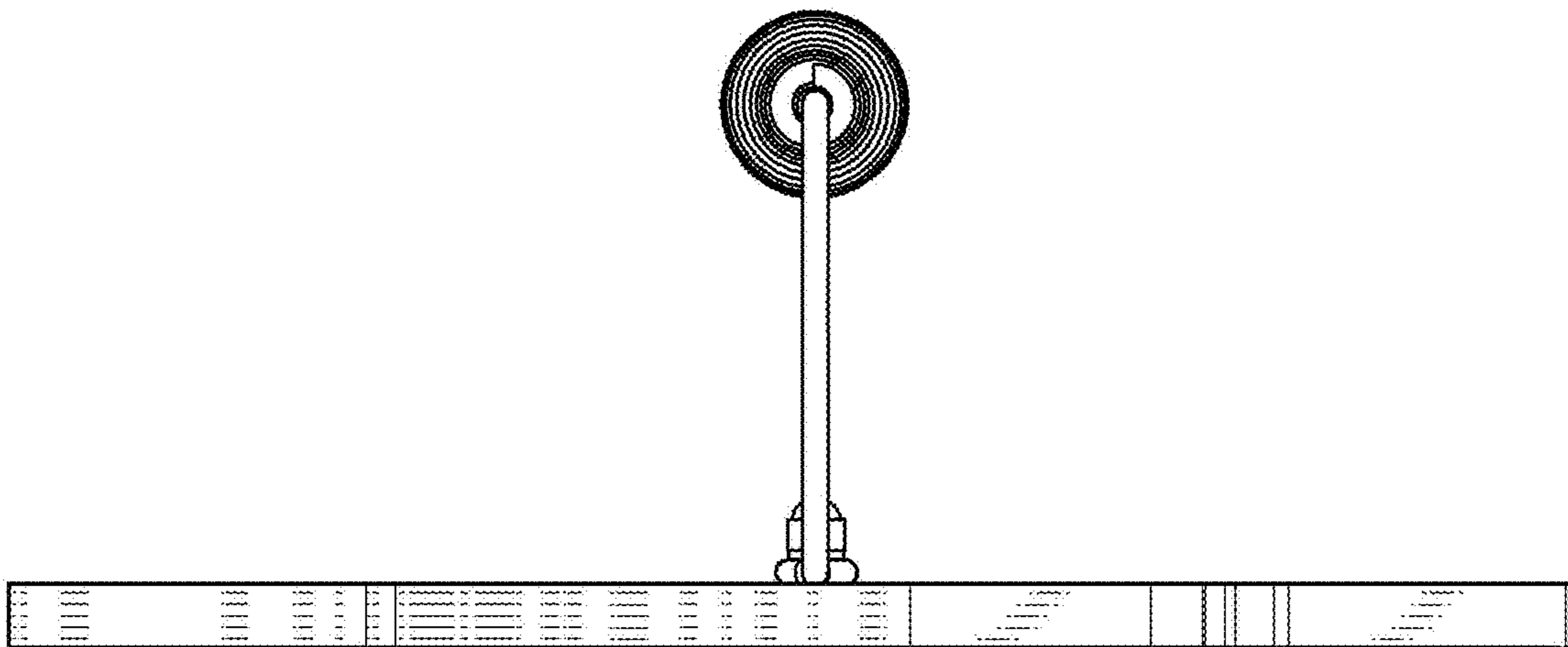


FIG. 6

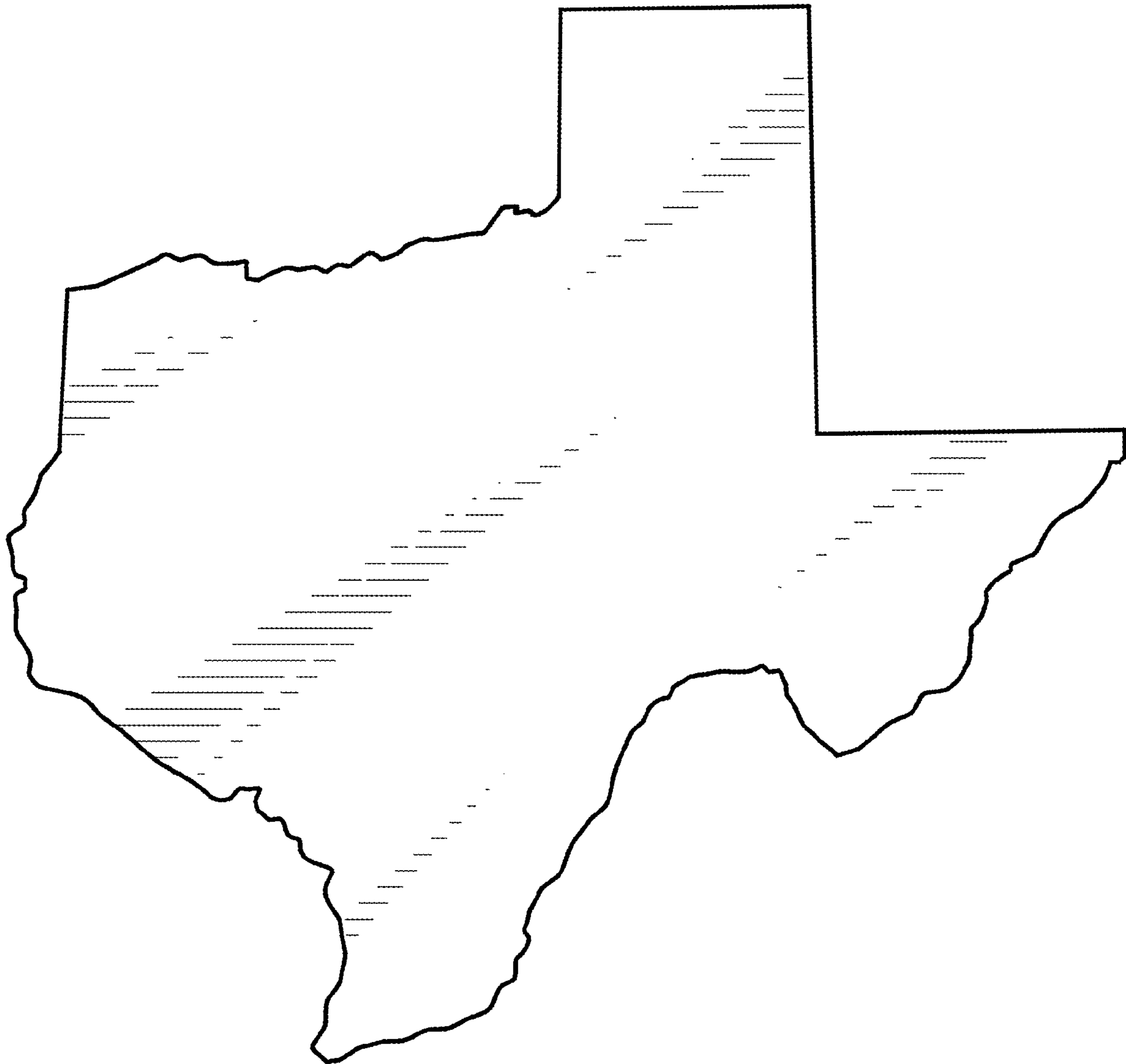


FIG. 7