



US00D903434S

(12) **United States Design Patent**  
**XiangZe**

(10) **Patent No.:** **US D903,434 S**

(45) **Date of Patent:** **\*\* Dec. 1, 2020**

(54) **MANUAL JUICER**

(71) Applicant: **Chen XiangZe**, ShanTou (CN)

(72) Inventor: **Chen XiangZe**, ShanTou (CN)

(\*\*) Term: **15 Years**

(21) Appl. No.: **29/736,141**

(22) Filed: **May 28, 2020**

(51) **LOC (12) Cl.** ..... **07-04**

(52) **U.S. Cl.**  
USPC ..... **D7/665**

(58) **Field of Classification Search**  
USPC ..... D7/665-667, 412, 368, 669, 376-386,  
D7/372

CPC ..... A47J 19/02; A47J 19/022; A47J 19/027;  
A47J 19/06; A47J 19/00; A47J 19/30;  
A47J 19/023; A47J 36/06; A47J 43/14;  
A23N 1/00; A23N 1/003

See application file for complete search history.

(56) **References Cited**

**U.S. PATENT DOCUMENTS**

- D251,405 S \* 3/1979 Ackeret ..... D7/665
- 5,088,392 A \* 2/1992 Ancona ..... A47J 19/023  
99/499
- D379,744 S \* 6/1997 Thackray ..... D7/665
- D437,188 S \* 2/2001 Thackray ..... D7/665
- D465,386 S \* 11/2002 Wang ..... D7/665

- D473,108 S \* 4/2003 De Visser ..... D7/665
- D878,167 S 3/2020 XiangZe
- 2003/0005832 A1\* 1/2003 Wang ..... A47J 19/023  
100/213

\* cited by examiner

*Primary Examiner* — Terry A Wallace

(74) *Attorney, Agent, or Firm* — KA Filing LLC; Cynthia W. Flanigan

(57) **CLAIM**

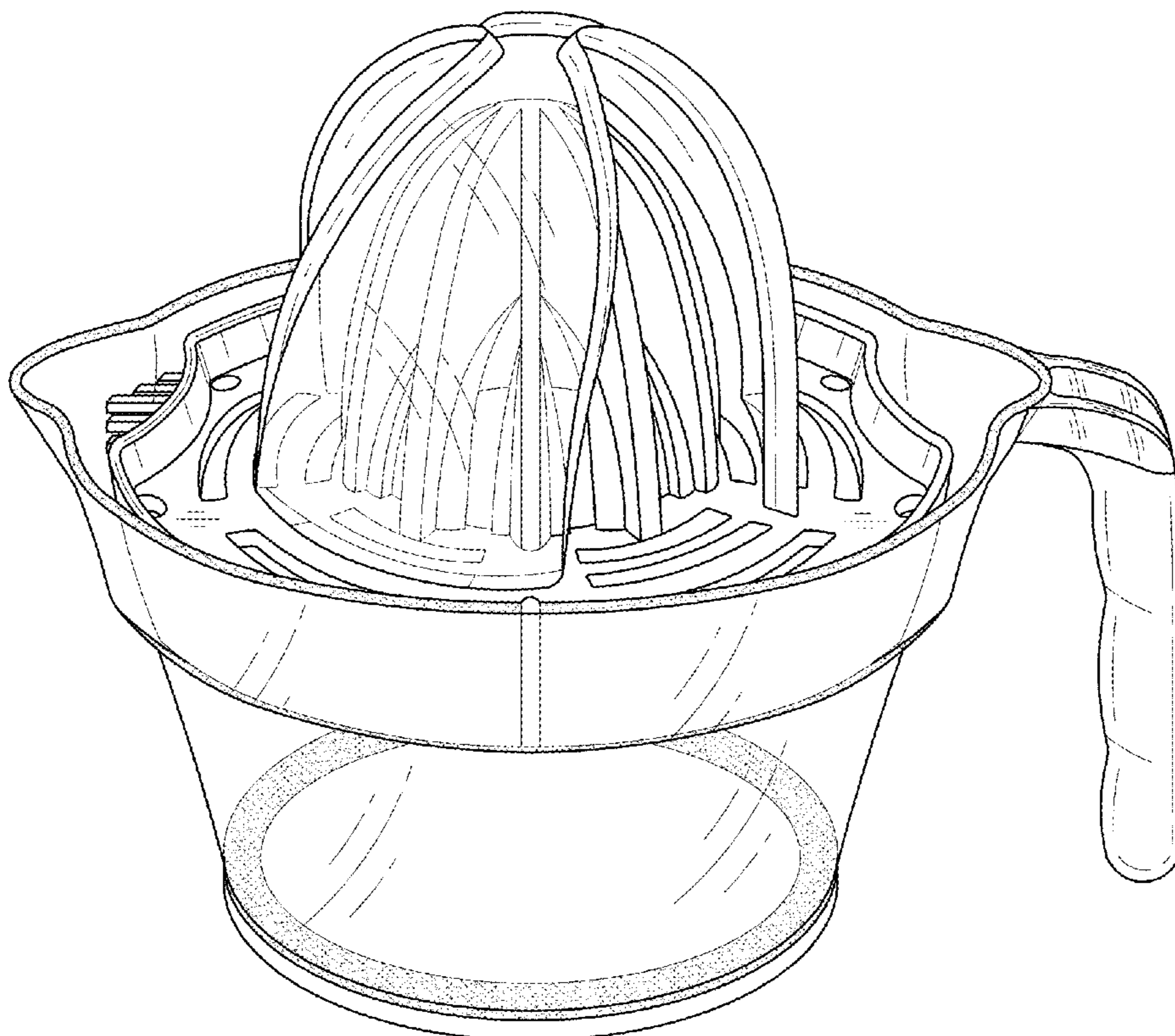
I claim the ornamental design for a manual juicer, as shown and described.

**DESCRIPTION**

FIG. 1 is a Perspective view of a manual juicer showing my new design;  
 FIG. 2 is open perspective view of a manual juicer showing in FIG. 1;  
 FIG. 3 is a Front view of a manual juicer showing in FIG. 1;  
 FIG. 4 is a Back view of a manual juicer showing in FIG. 1;  
 FIG. 5 is a Right-side view of a manual juicer showing in FIG. 1;  
 FIG. 6 is a Left-side view of a manual juicer showing in FIG. 1;  
 FIG. 7 is a Top view of a manual juicer showing in FIG. 1; and,  
 FIG. 8 is a Bottom view of a manual juicer showing in FIG. 1.

The broken lines are only for environmental purposes and form no part of he claimed design.

**1 Claim, 8 Drawing Sheets**



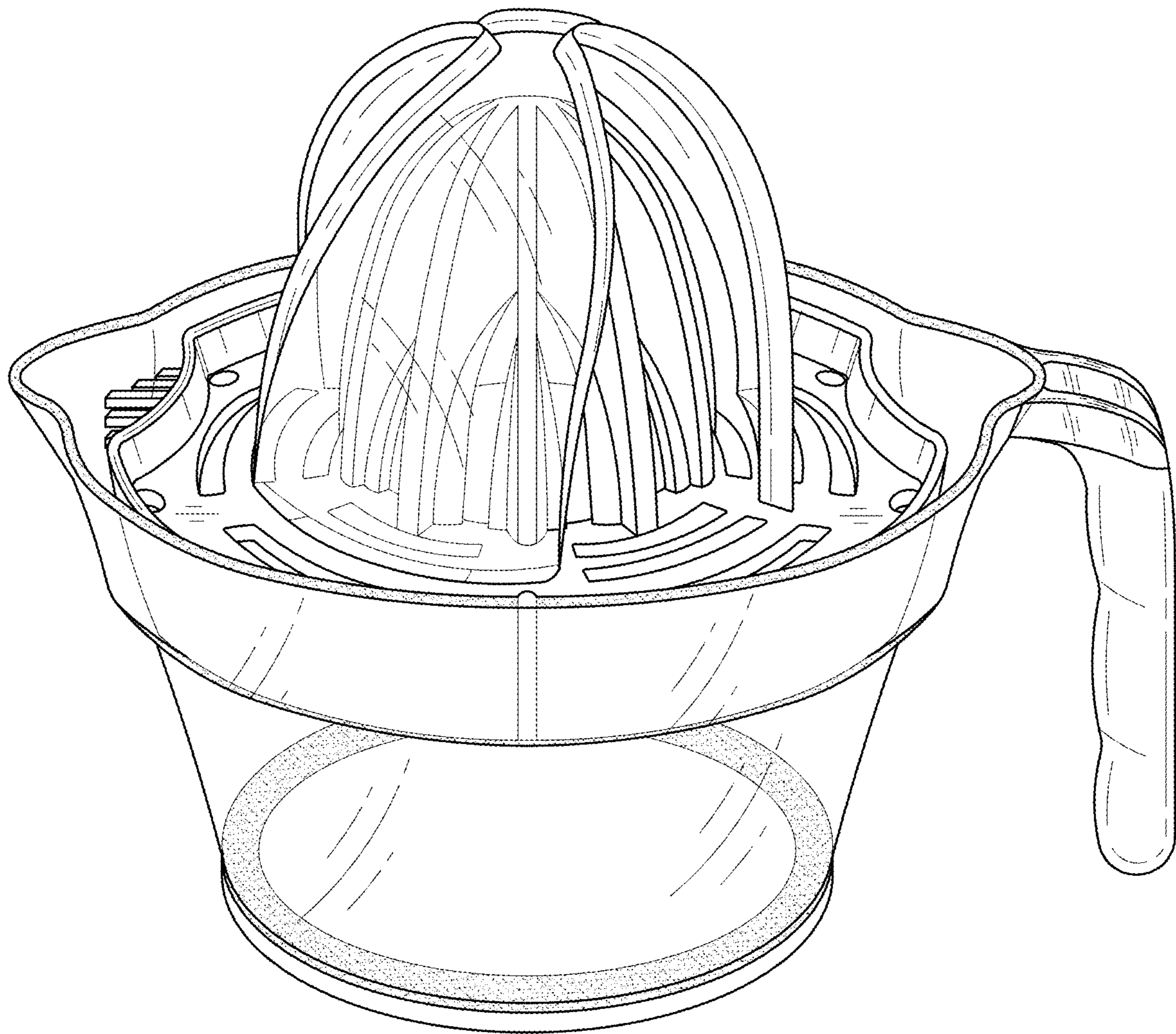


FIG. 1

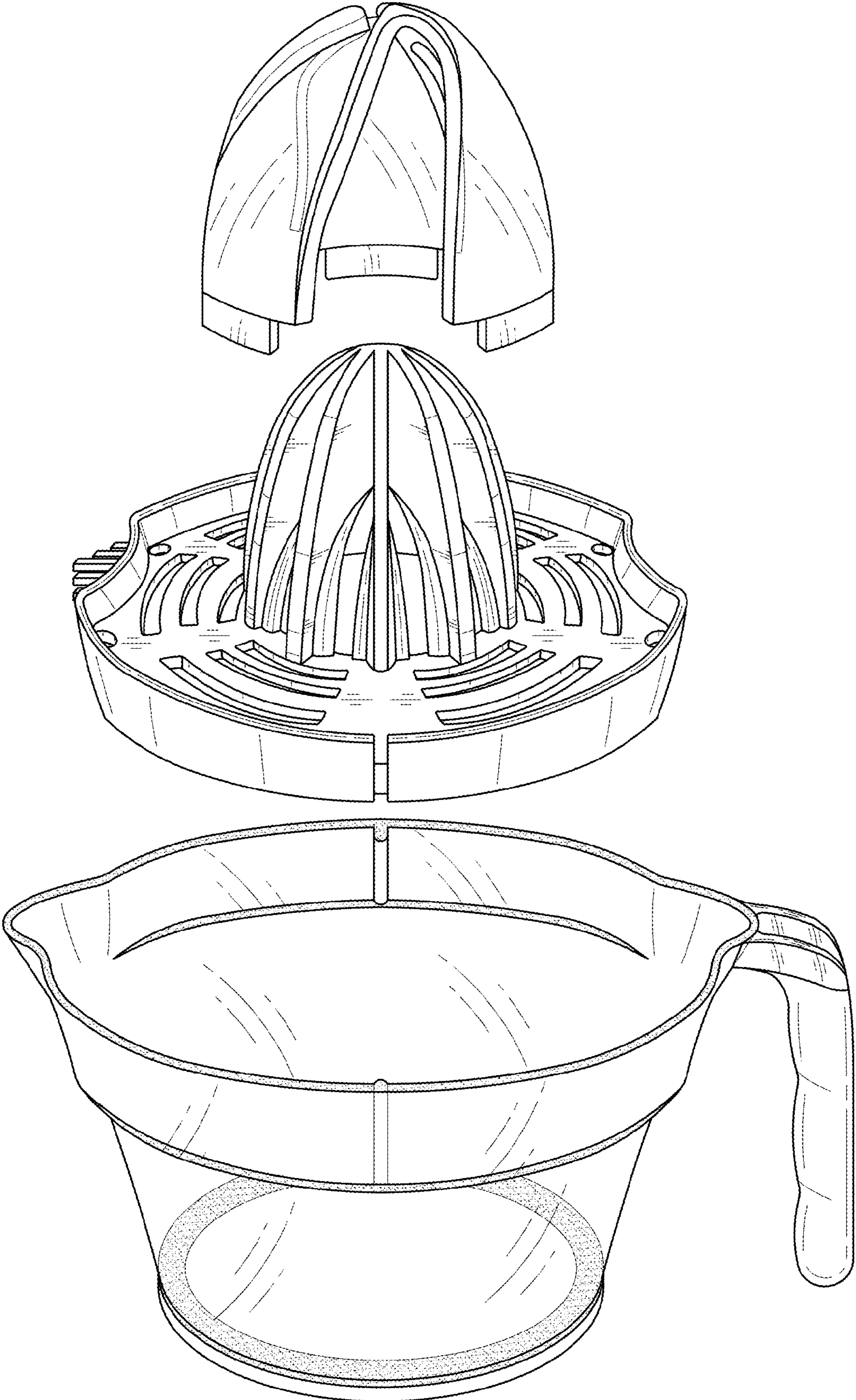


FIG. 2

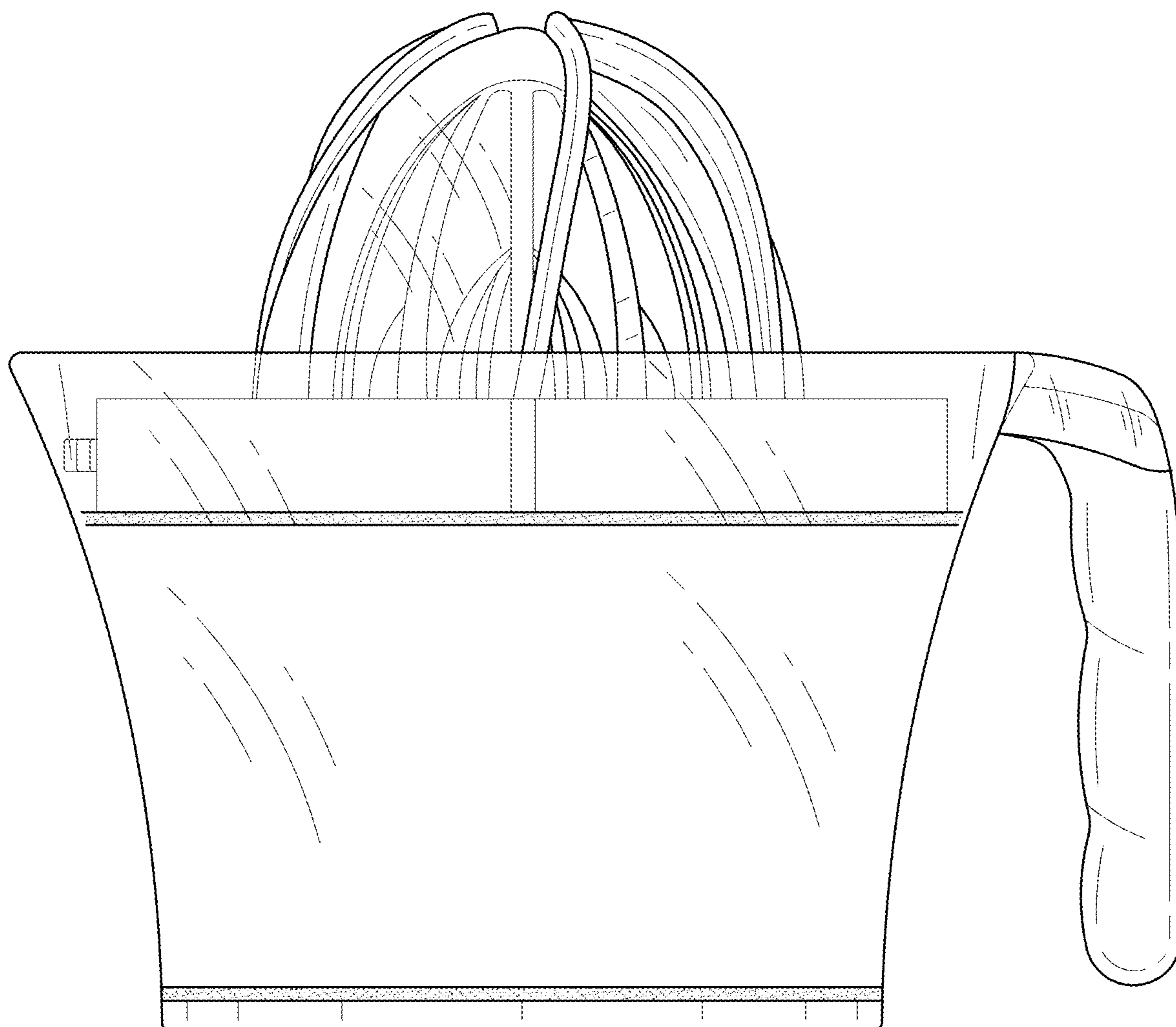


FIG. 3

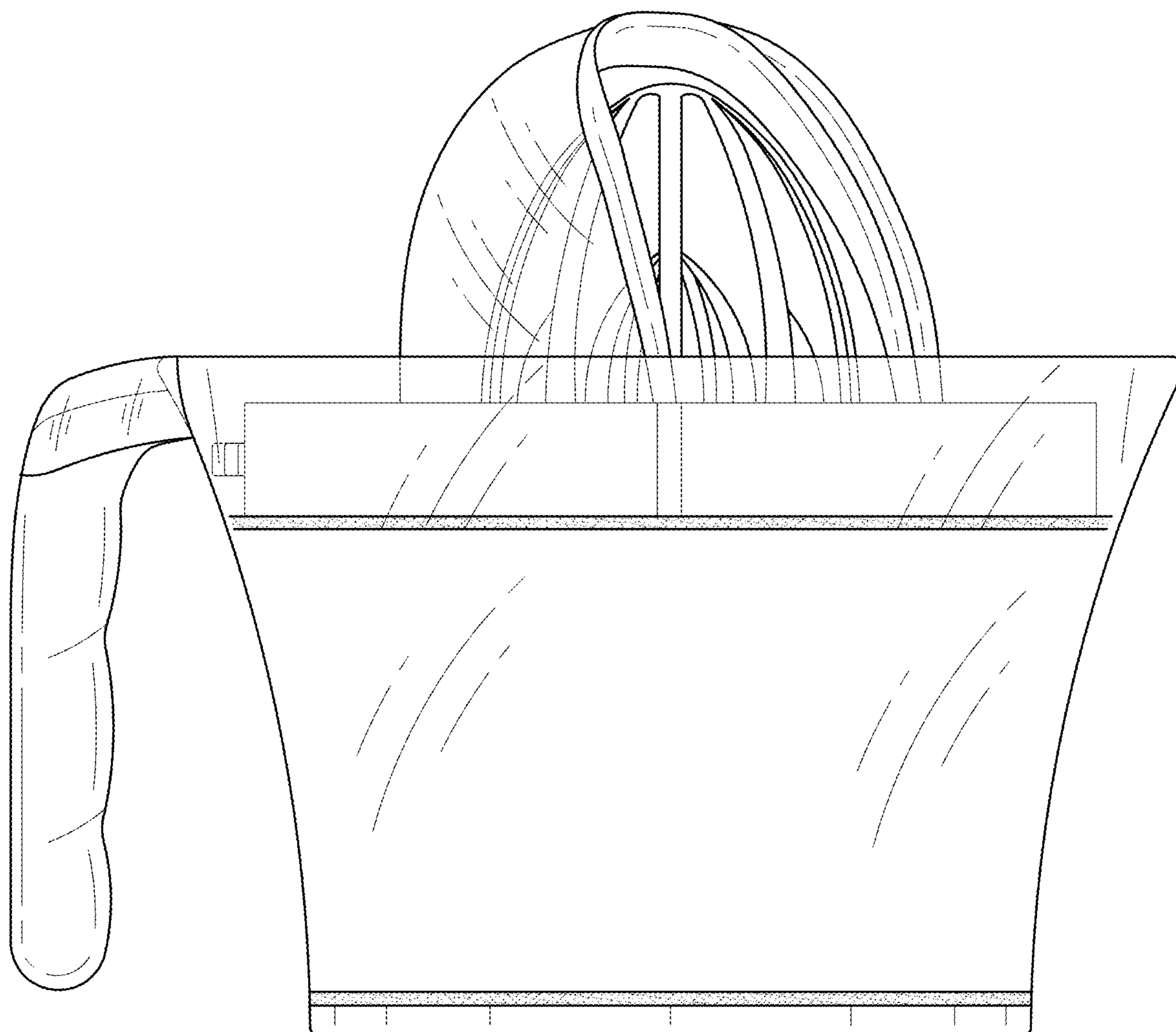


FIG. 4

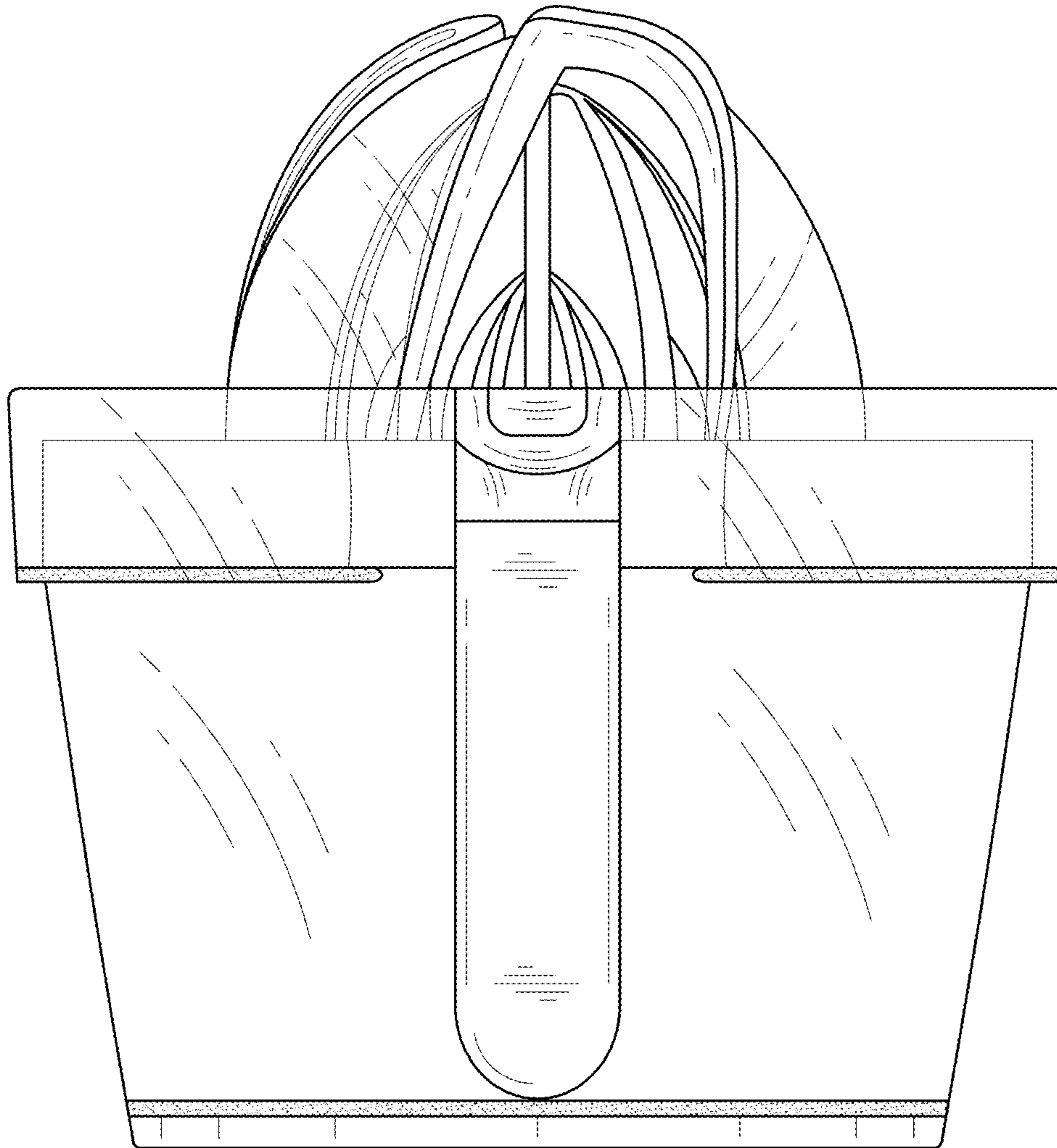


FIG. 5

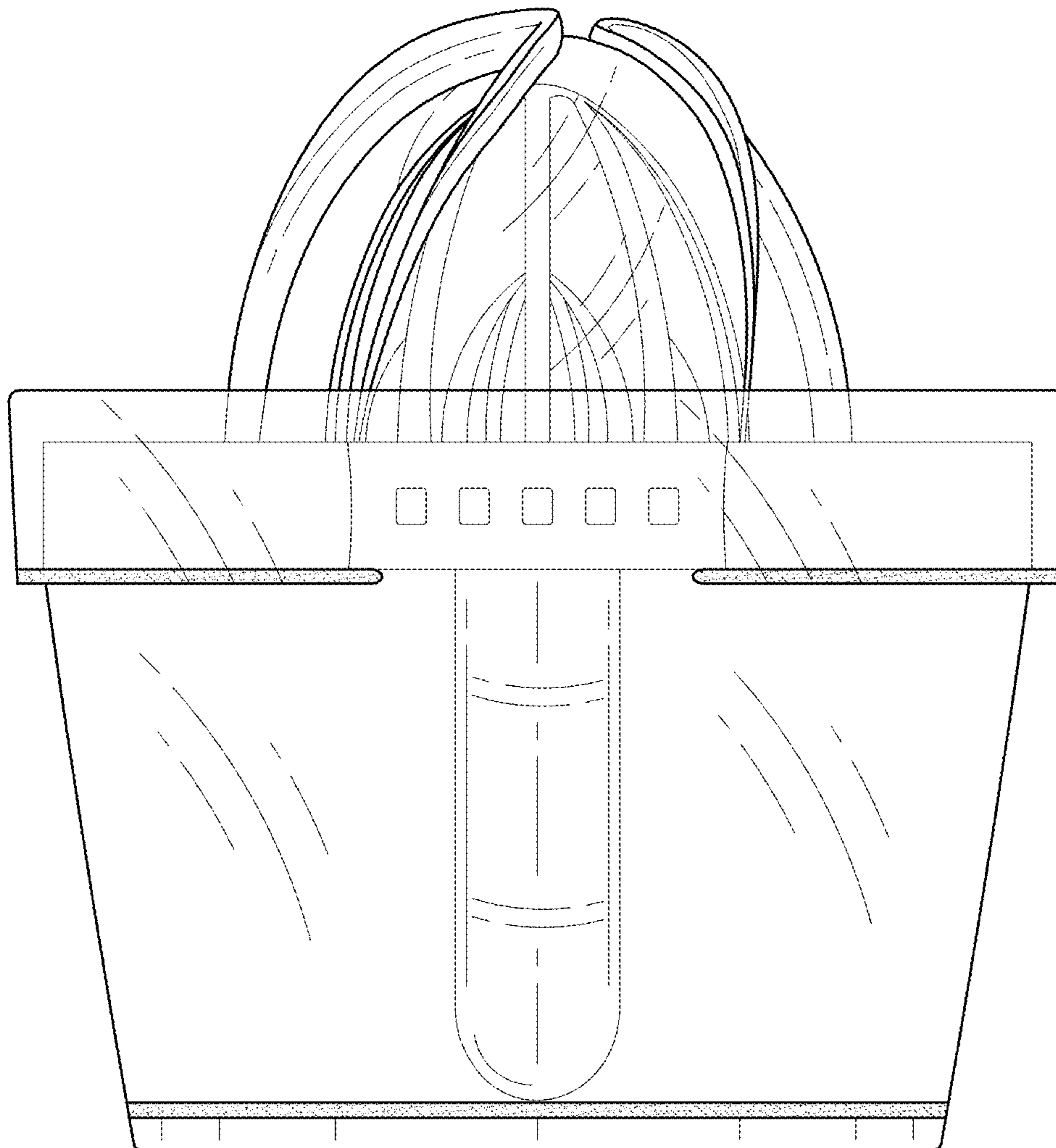


FIG. 6

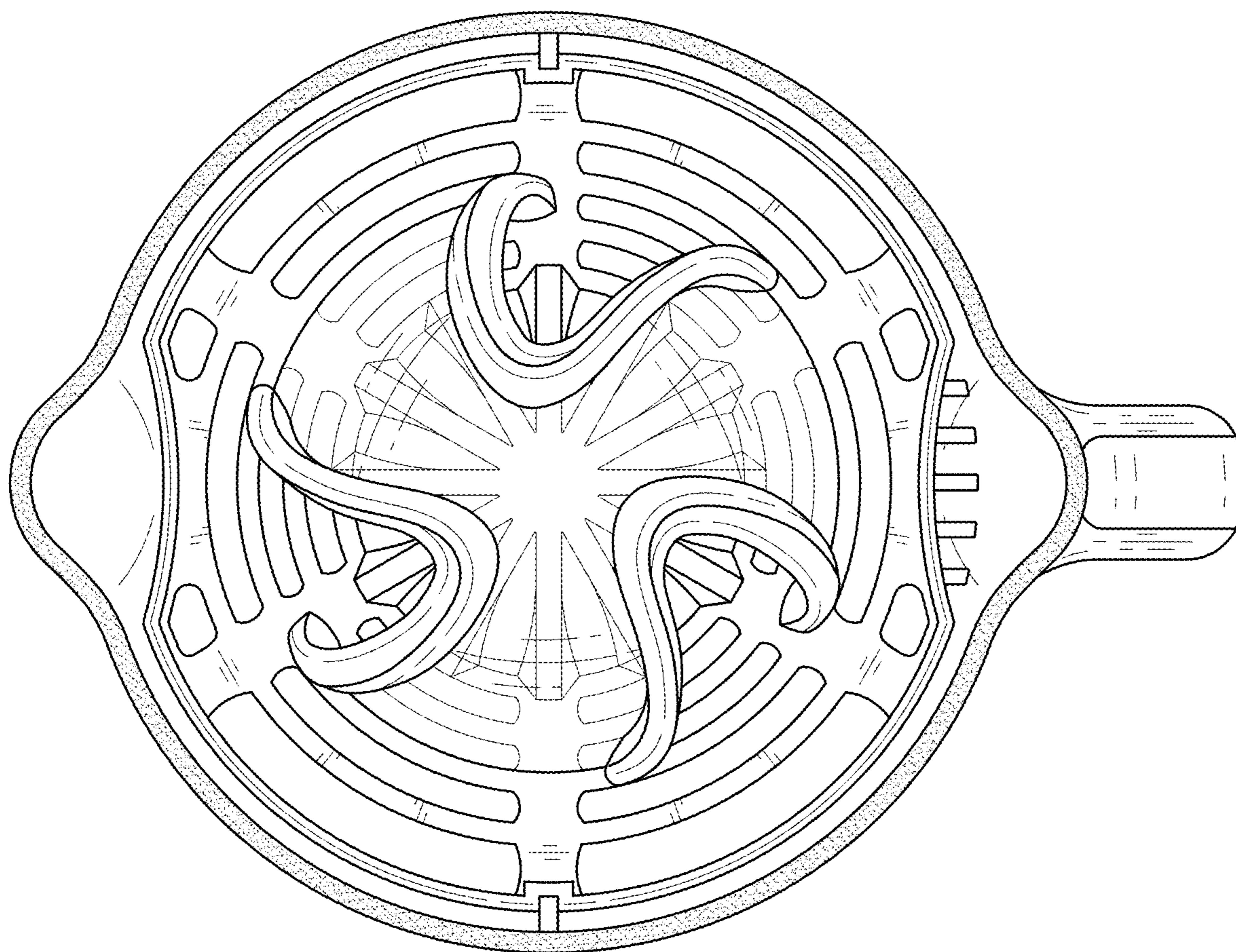


FIG. 7



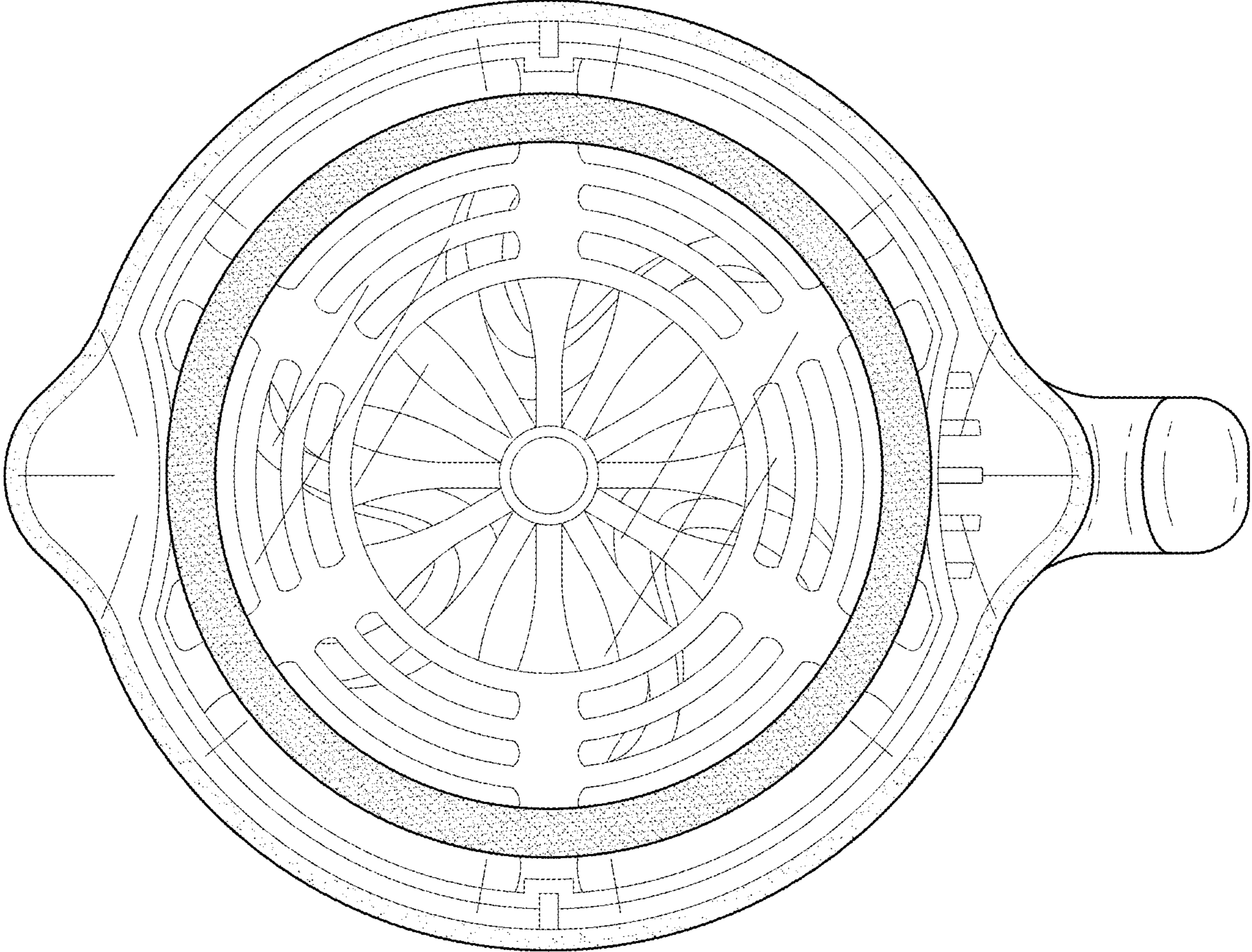


FIG. 8