



US00D903432S

(12) **United States Design Patent** (10) **Patent No.:** **US D903,432 S**
Eburne (45) **Date of Patent:** **** Dec. 1, 2020**

(54) **KITCHEN DEVICE**

FOREIGN PATENT DOCUMENTS

(71) Applicant: **PURPOSE BUILT, INC.**, Los Angeles, CA (US)

DE 10060723 A 6/2002
DE 102006059484 6/2008

(72) Inventor: **Alexander Eburne**, Los Angeles, CA (US)

Primary Examiner — Janice Patyk

(74) *Attorney, Agent, or Firm* — Kanika Radhakrishnan; Evergreen Valley Law Group

(73) Assignee: **Purpose Built, Inc.**, Los Angeles, CA (US)

(**) Term: **15 Years**

(57) **CLAIM**

The ornamental design for a kitchen device, as shown and described.

(21) Appl. No.: **29/665,152**

(22) Filed: **Oct. 1, 2018**

(51) **LOC (12) Cl.** **07-07**

(52) **U.S. Cl.**

USPC **D7/637**

(58) **Field of Classification Search**

USPC D3/306; D6/566–574; D7/631, D7/637–641; 211/41.4, 70.7, 85.31, 211/90.03, 106, 126.8, 126.9, 133.2, 211/133.5; 220/485–488, 491; 248/37.3, 248/37.6, 153, 175

CPC .. A47L 88/00; A47L 88/20; A47F 7/00; A47F 7/14; A47G 21/00; A47G 21/16; B65D 1/34; B65D 1/36; B65D 21/046; B65D 21/048; G09F 1/14

See application file for complete search history.

DESCRIPTION

FIG. 1 is a perspective view of a kitchen device, shown in closed condition;
FIG. 2 is a front view thereof;
FIG. 3 is a rear view thereof;
FIG. 4 is a left-side view thereof;
FIG. 5 is a right-side view thereof;
FIG. 6 is a top view thereof;
FIG. 7 is a bottom view thereof;
FIG. 8 is an exploded perspective view thereof, shown in open condition;
FIG. 9 is an exploded front view thereof, shown in open condition;
FIG. 10 is an exploded rear view thereof, shown in open condition;
FIG. 11 is an exploded left-side view thereof, shown in open condition;
FIG. 12 is an exploded right-side view thereof, shown in open condition;
FIG. 13 is an exploded top view thereof, shown in open condition; and,
FIG. 14 is an exploded bottom view thereof, shown in open condition.

The broken lines in the figures illustrate the portions of the design that form no part of the claimed design.

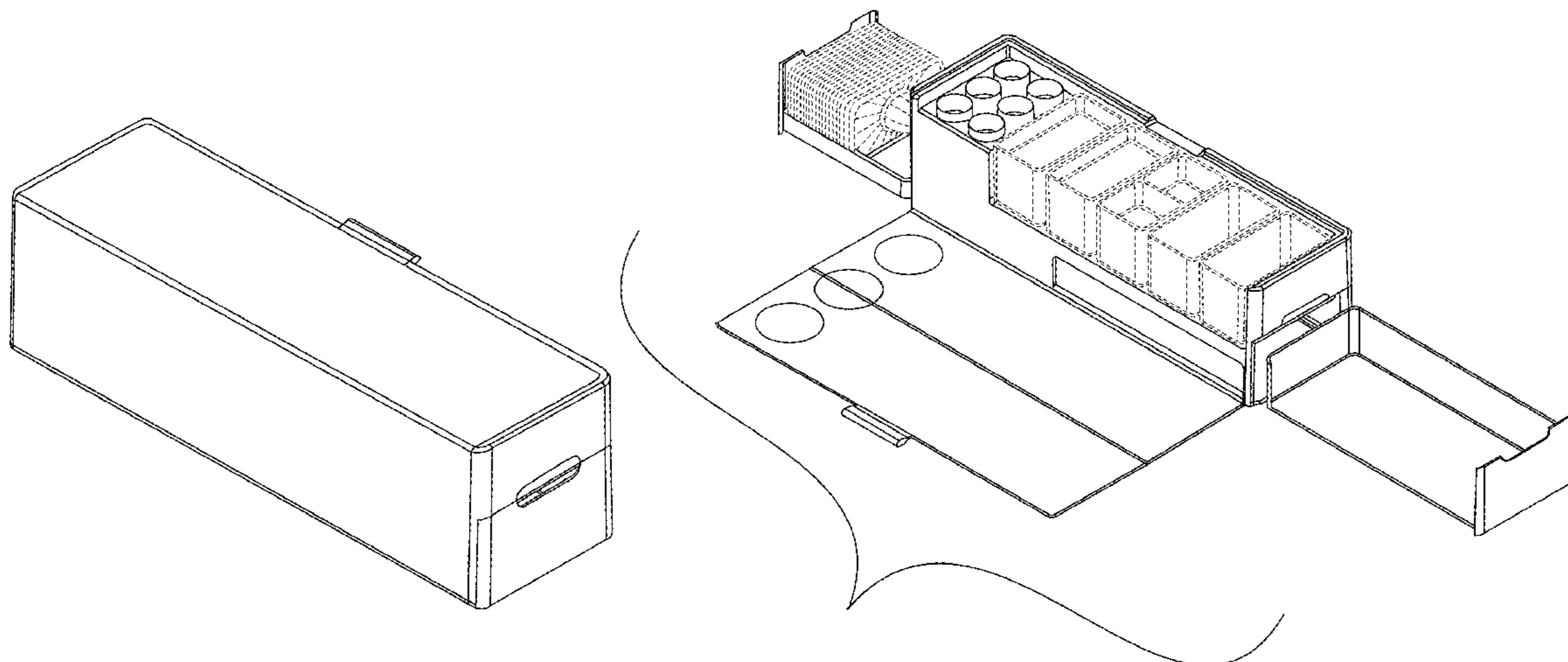
(56) **References Cited**

U.S. PATENT DOCUMENTS

D333,842 S * 3/1993 Kirchner D19/75
5,382,009 A * 1/1995 Mertz A45C 15/00
269/16
5,546,852 A * 8/1996 Bidwell A47J 47/005
210/259
5,938,185 A * 8/1999 Kletter A47J 47/005
269/15
6,651,970 B2 11/2003 Scott
D495,139 S * 8/2004 Sullivan D3/310
D569,694 S * 5/2008 Bizzell D7/698

(Continued)

1 Claim, 9 Drawing Sheets



(56)

References Cited

U.S. PATENT DOCUMENTS

D661,487 S * 6/2012 Kraemer D3/304
8,220,789 B2 * 7/2012 Pourounidis A47J 47/005
269/289 R
D763,639 S * 8/2016 Whitlock D7/698
2003/0234205 A1 12/2003 McGuyer
2017/0020341 A1 1/2017 Farmer

* cited by examiner

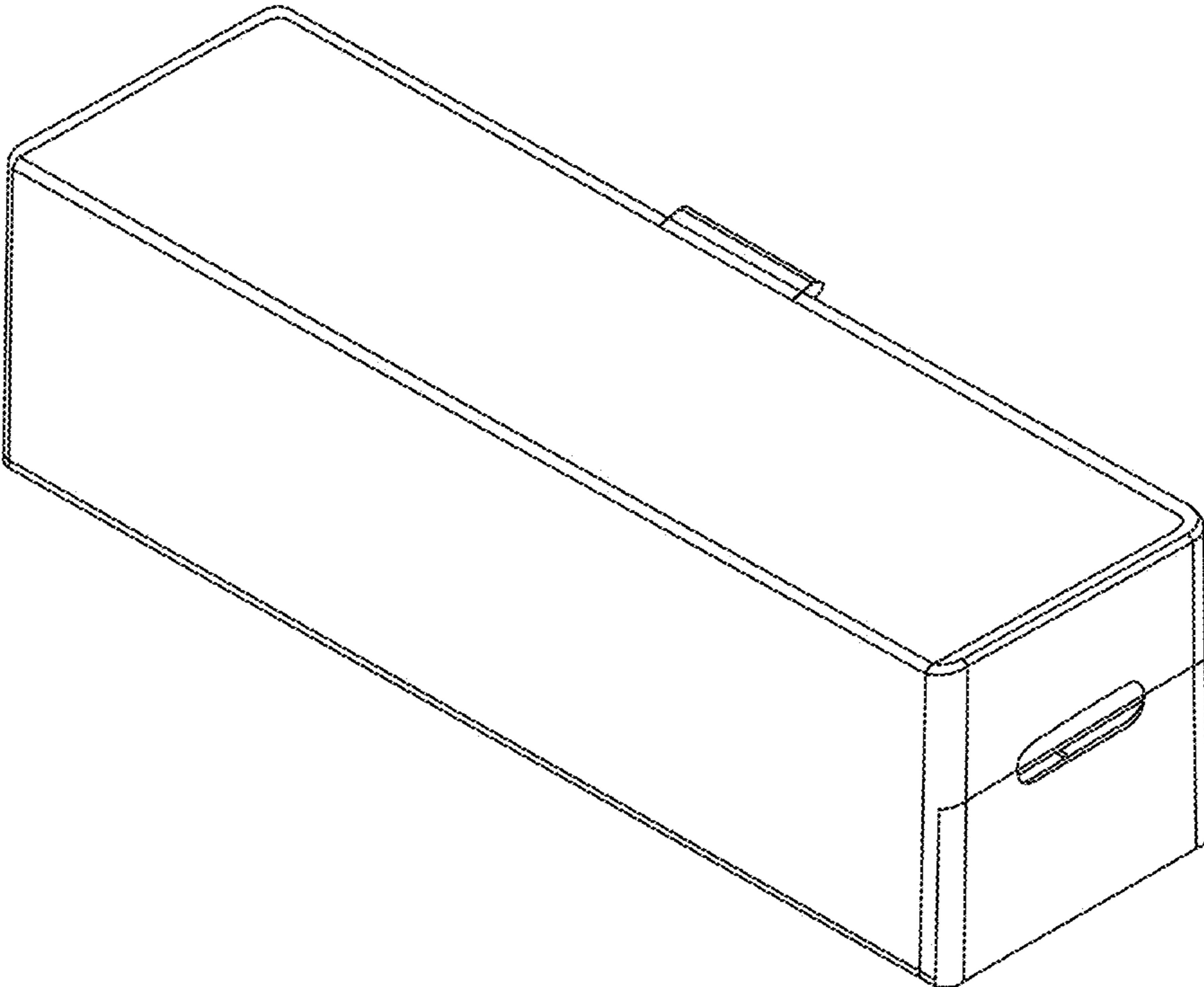


FIG. 1



FIG. 2

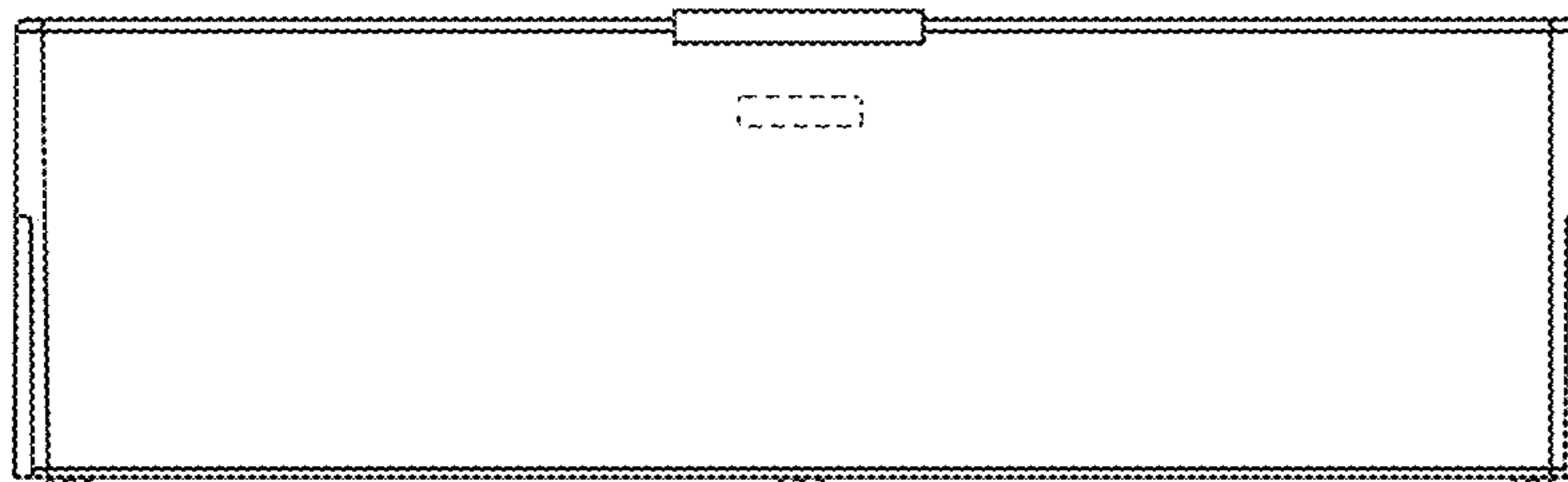


FIG. 3

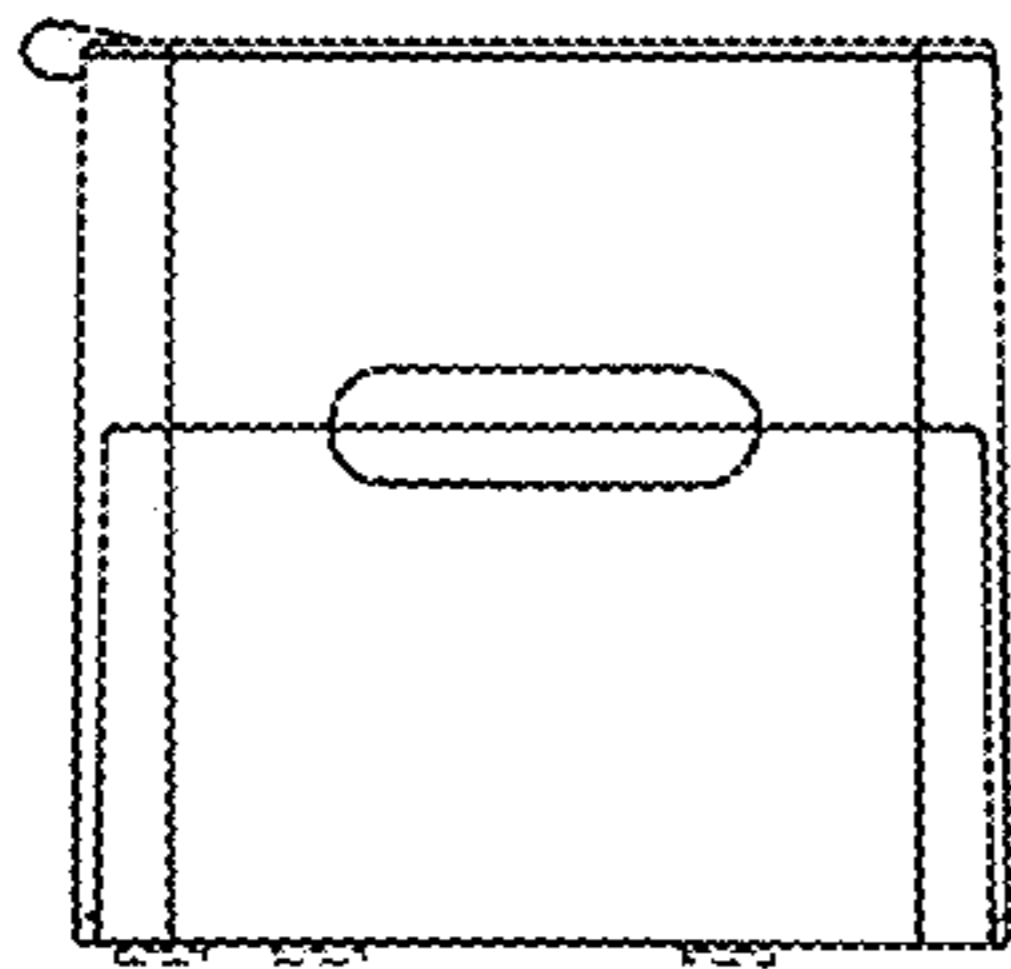


FIG. 4

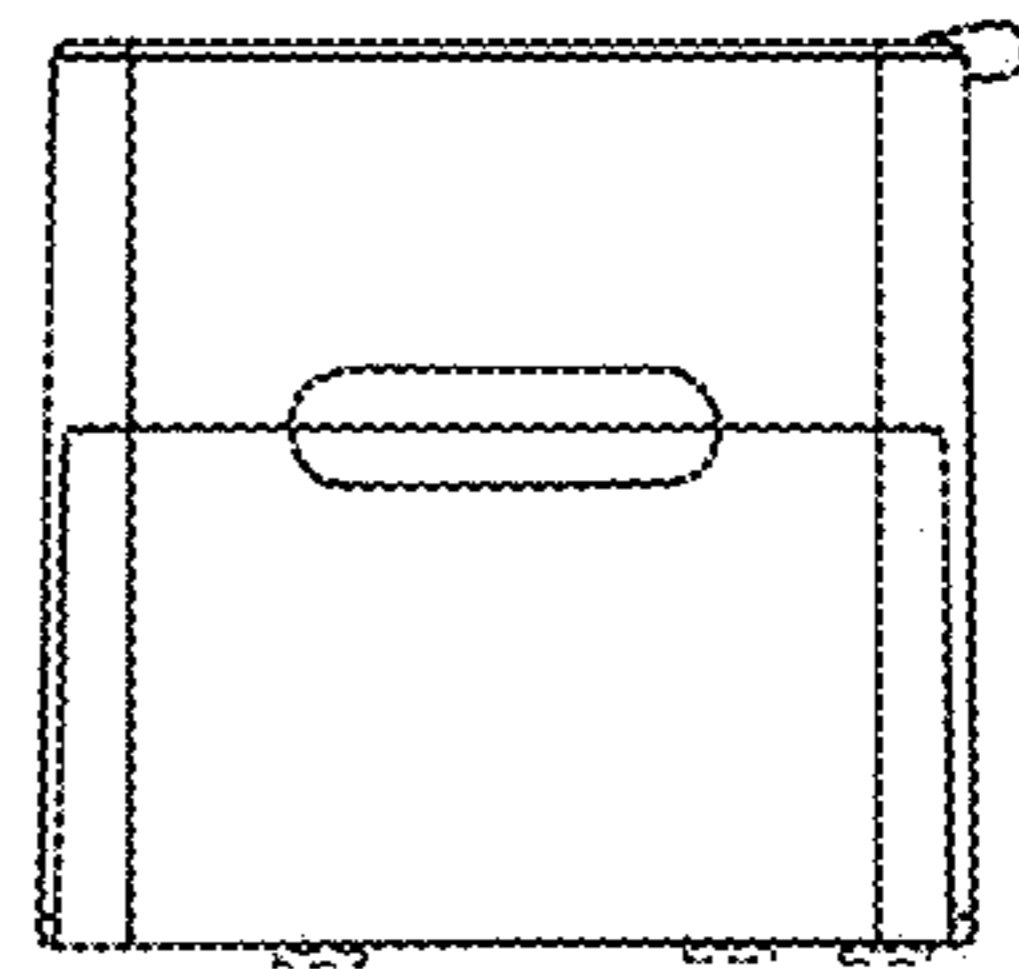


FIG. 5

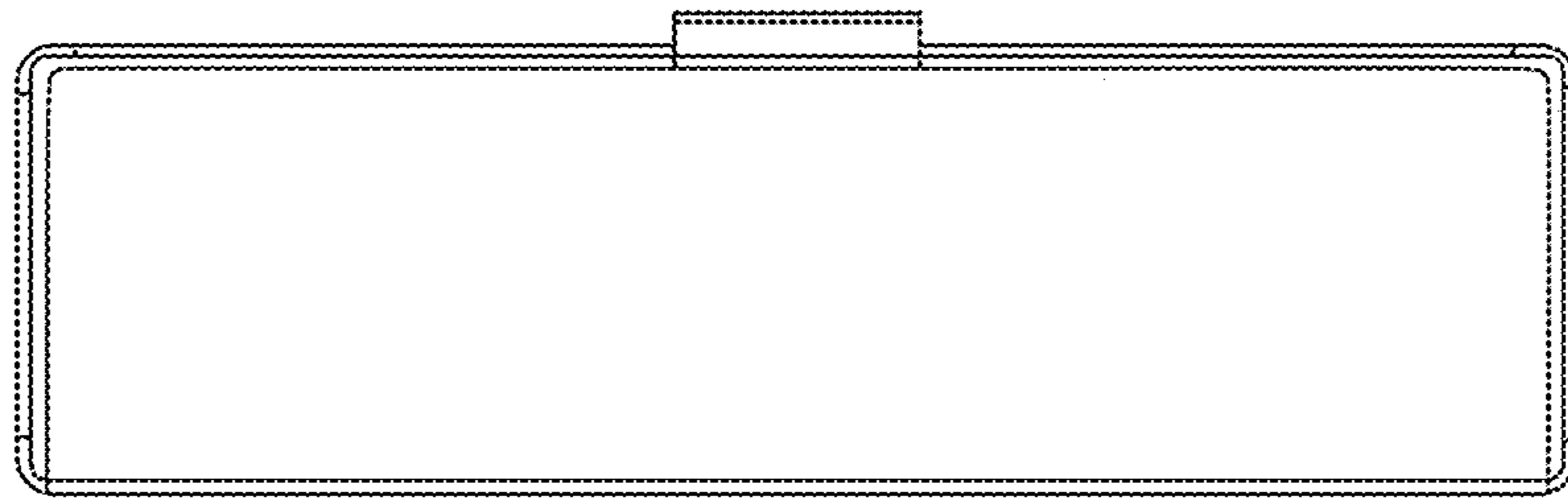


FIG. 6

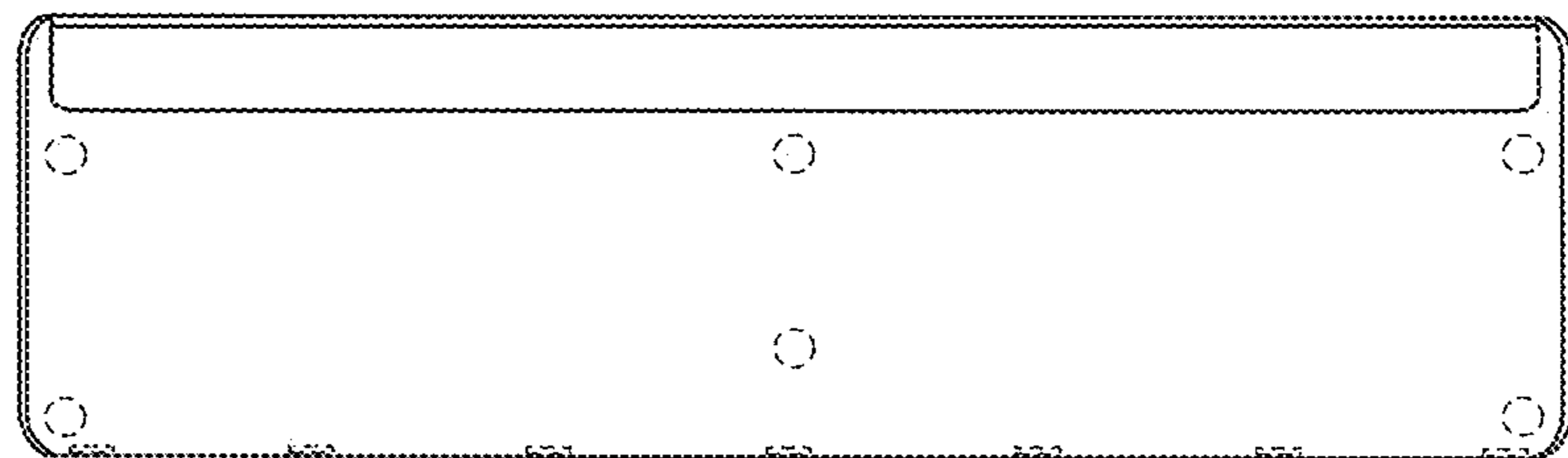


FIG. 7

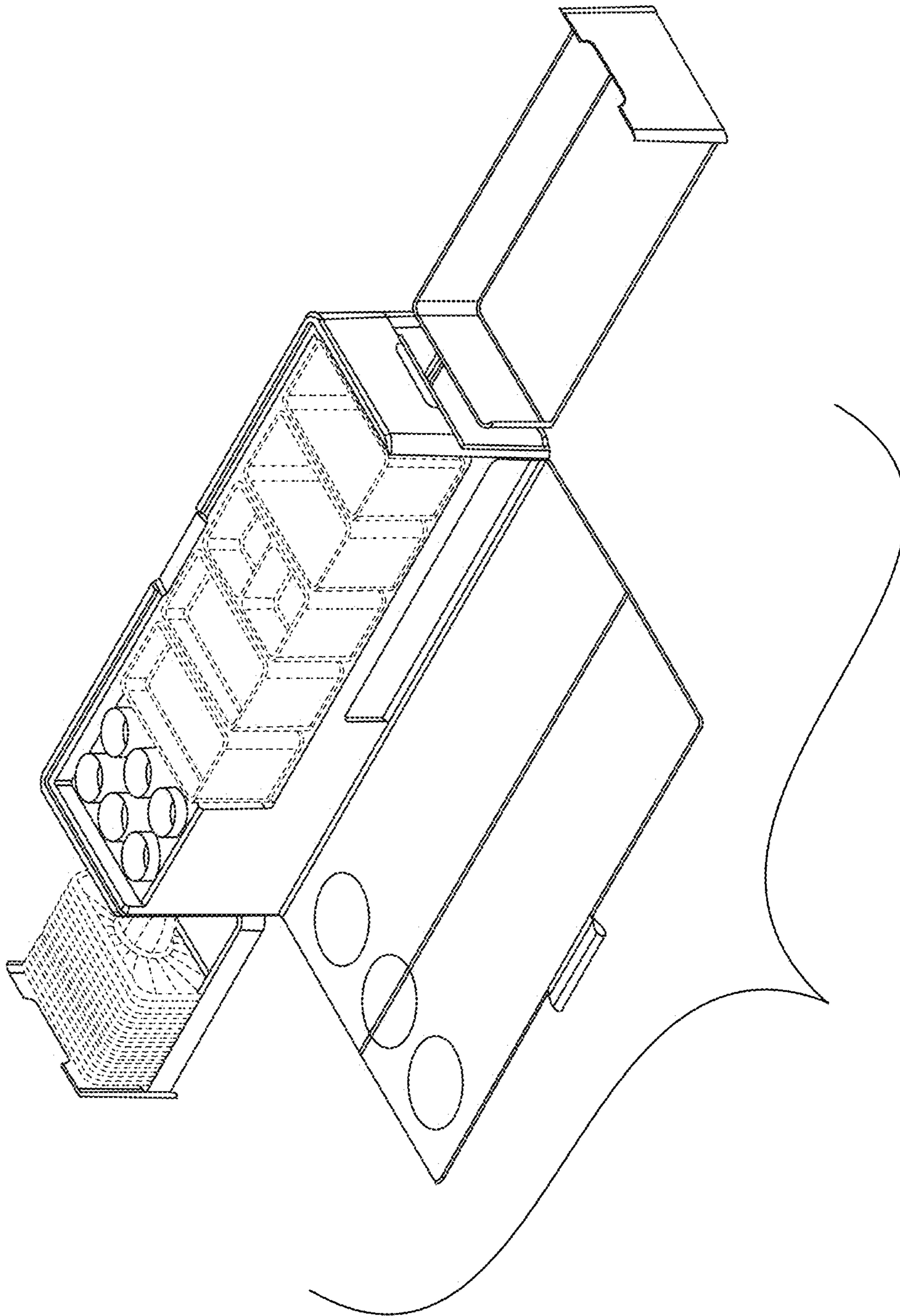


FIG. 8

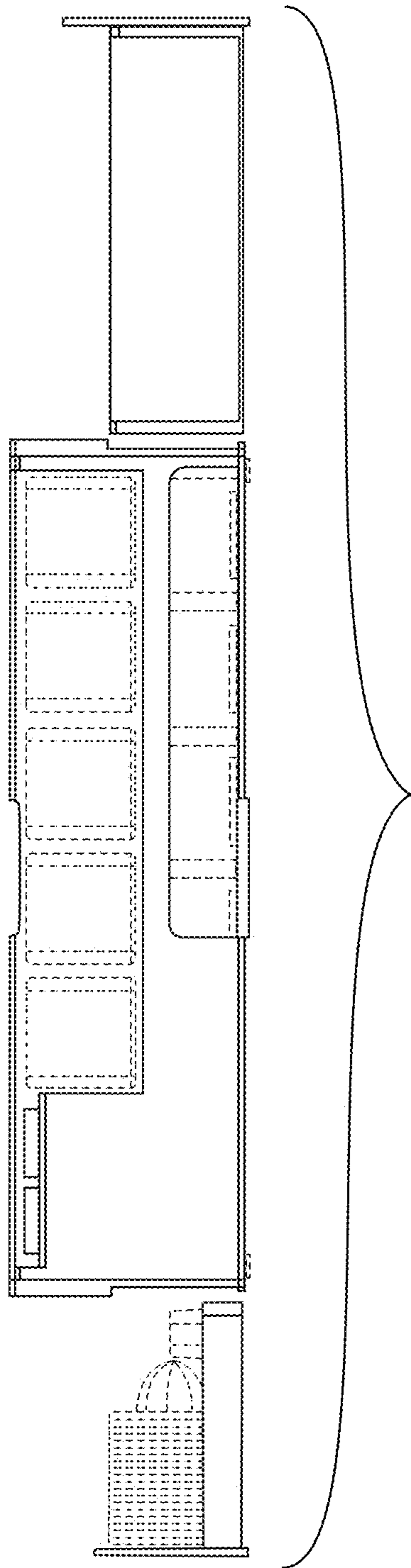


FIG. 9

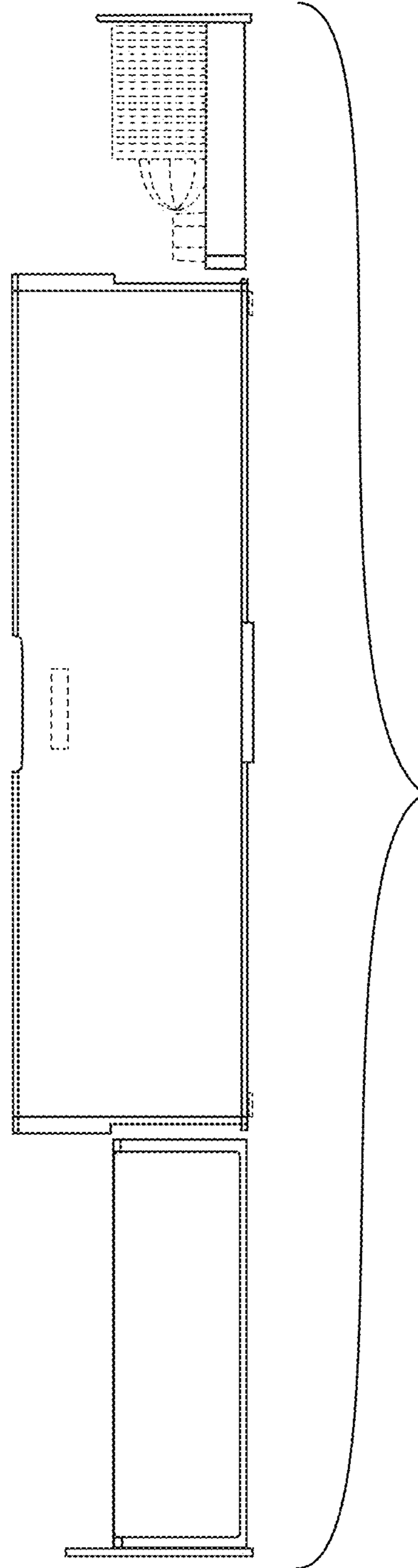


FIG. 10

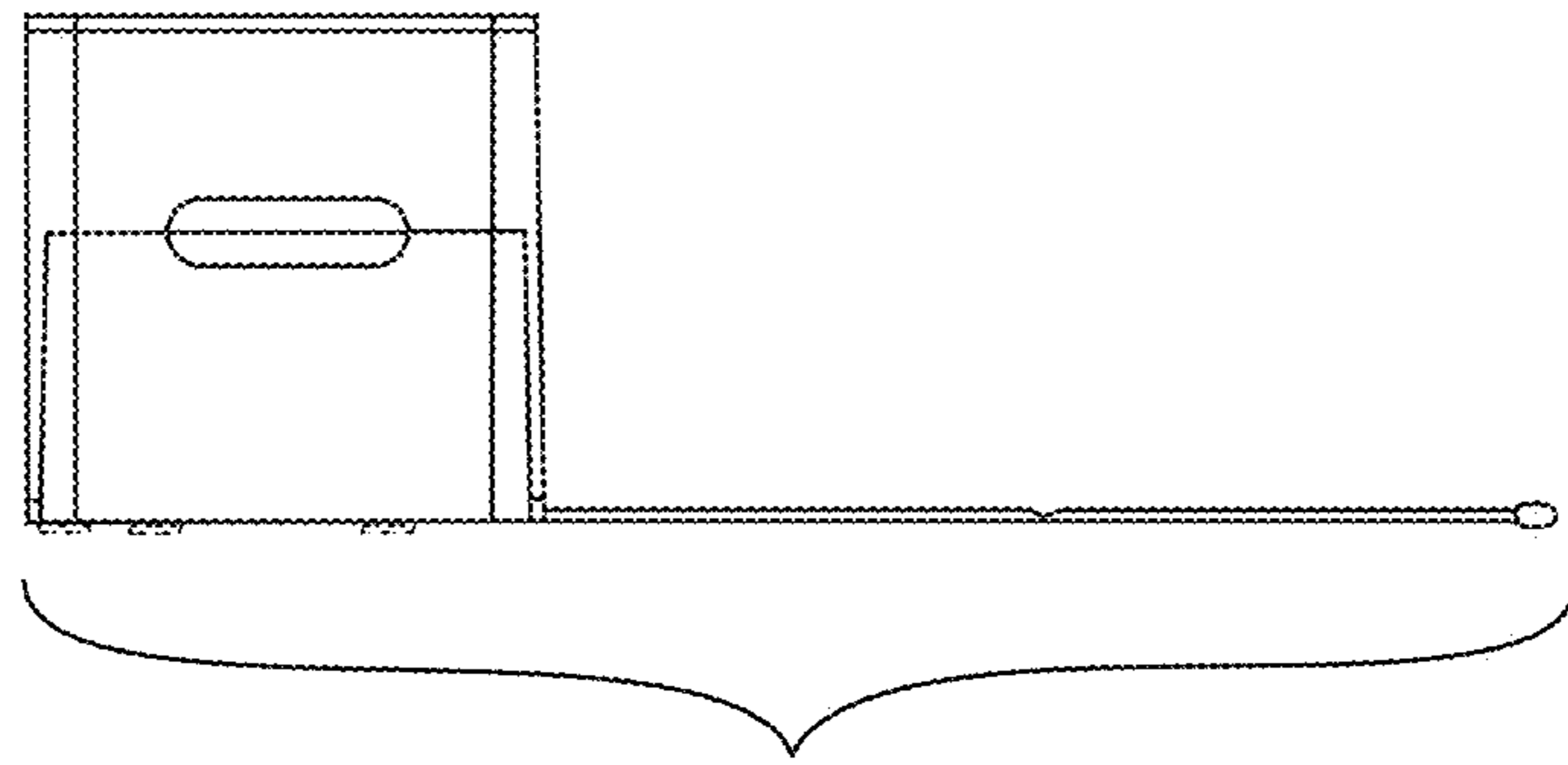


FIG. 11

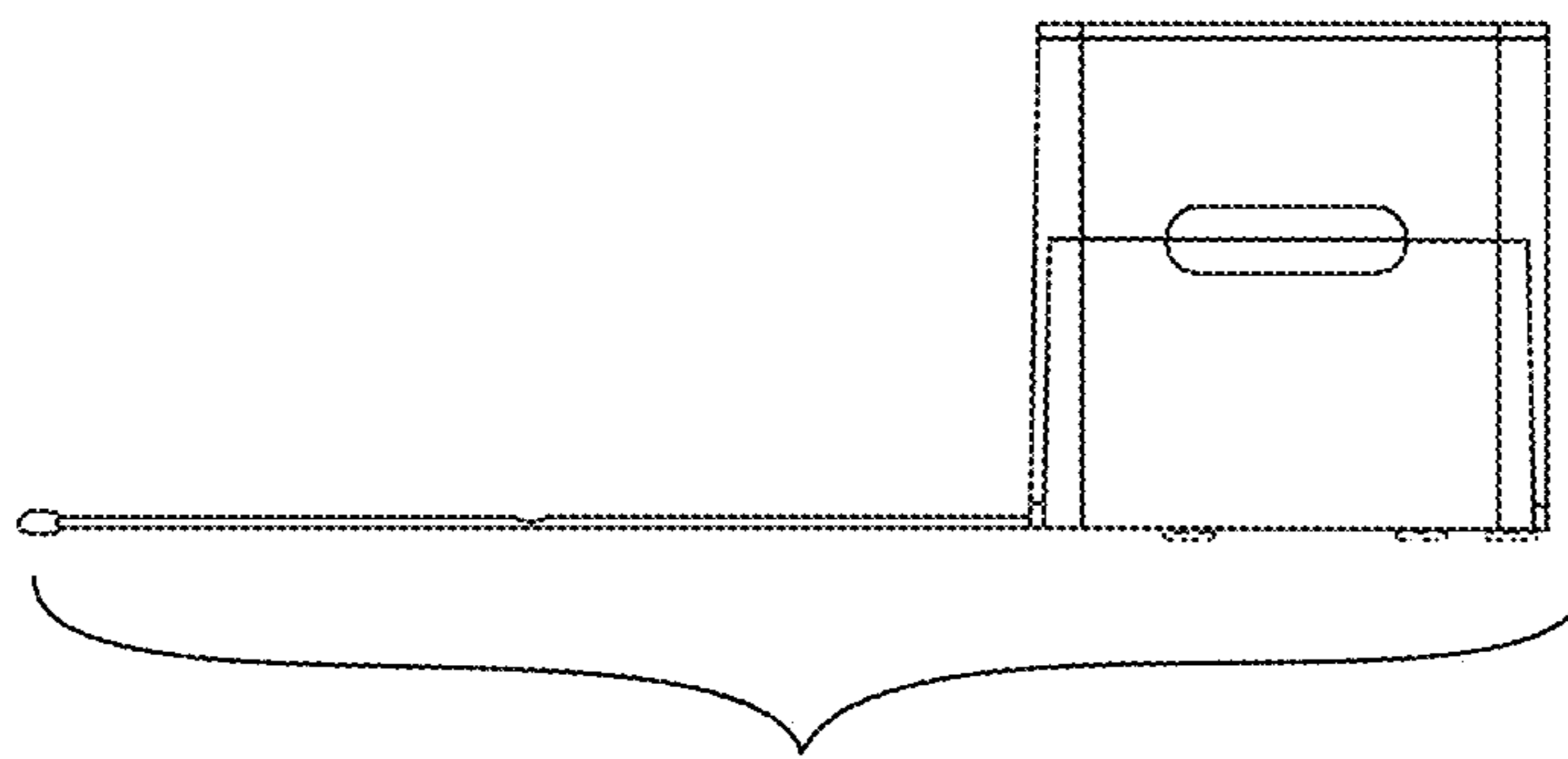


FIG. 12

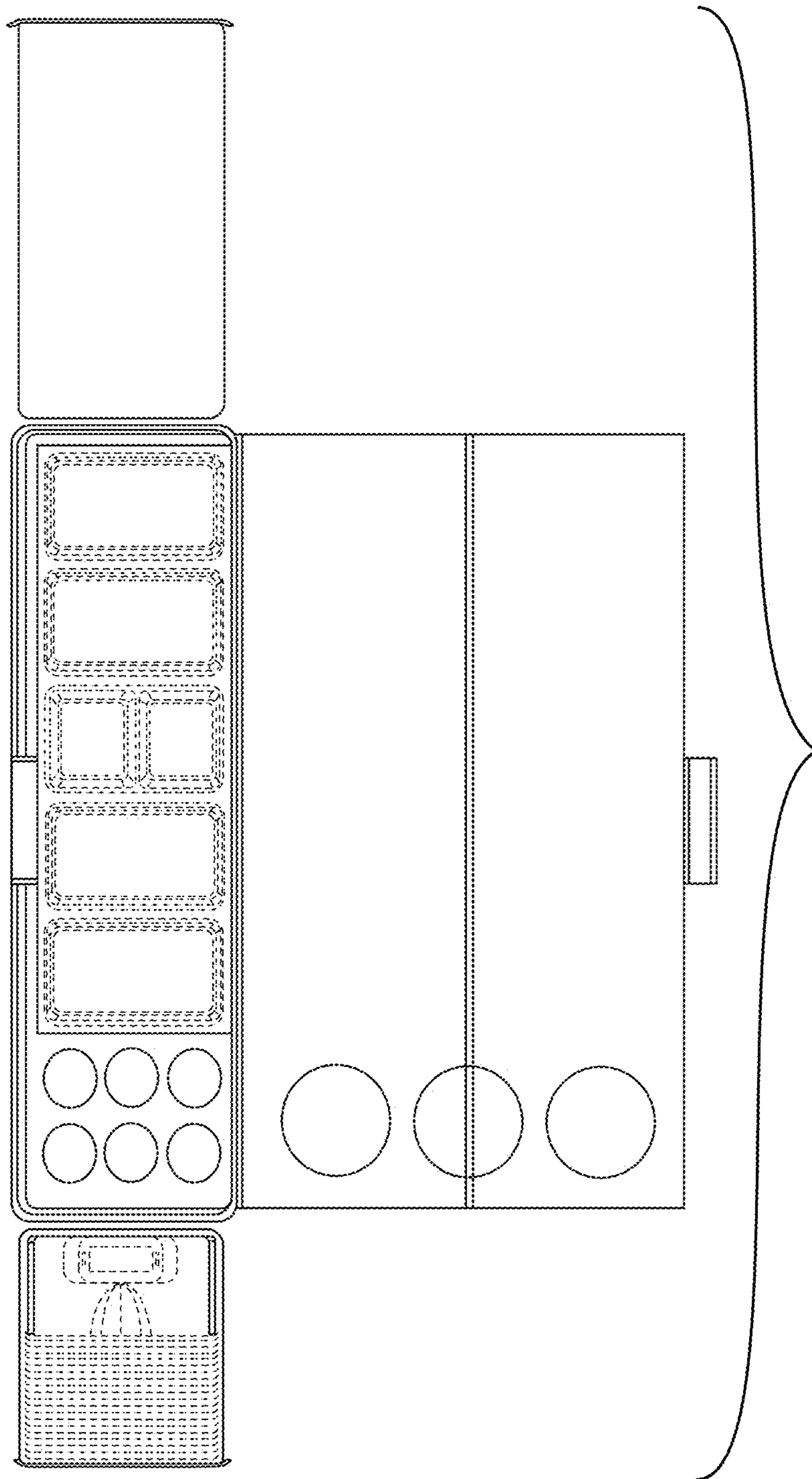


FIG. 13

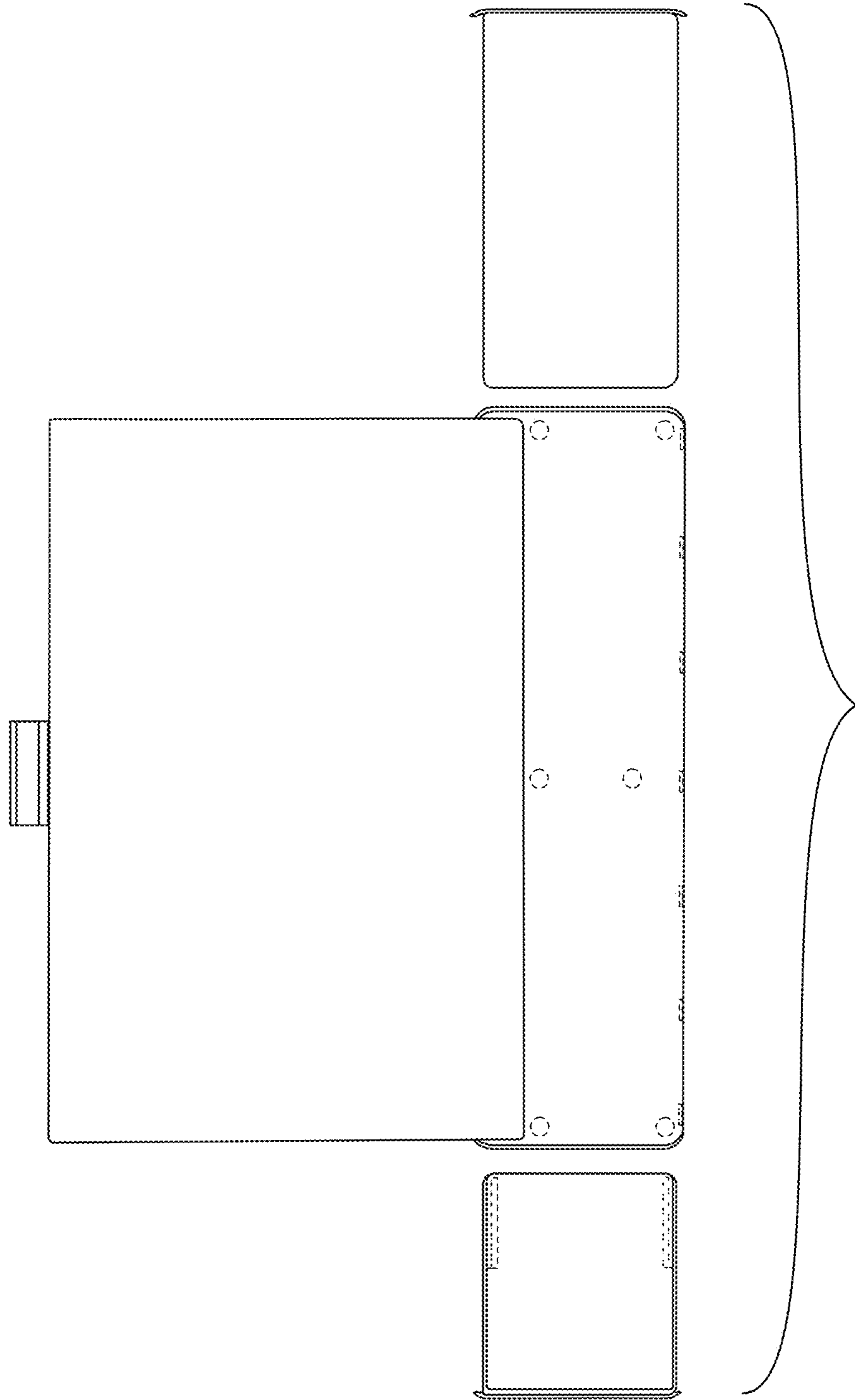


FIG. 14