



US00D903430S

(12) **United States Design Patent**  
**Eisenhardt et al.**

(10) **Patent No.:** **US D903,430 S**

(45) **Date of Patent:** **\*\* Dec. 1, 2020**

(54) **COOLER**

(71) Applicant: **Milwaukee Electric Tool Corporation,**  
Brookfield, WI (US)

(72) Inventors: **Scott D. Eisenhardt,** Milwaukee, WI  
(US); **Grant T. Squiers,** Cudahy, WI  
(US); **Zachary W. Richman,**  
Milwaukee, WI (US)

(73) Assignee: **Milwaukee Electric Tool Corporation,**  
Brookfield, WI (US)

(\*\*) Term: **15 Years**

(21) Appl. No.: **29/666,164**

(22) Filed: **Oct. 10, 2018**

(51) **LOC (12) Cl.** ..... **07-01**

(52) **U.S. Cl.**  
USPC ..... **D7/607**

(58) **Field of Classification Search**  
USPC ..... D7/603–608, 709, 710, 629; D3/283,  
D3/287, 289, 233, 267, 268, 273, 276,  
D3/315, 318  
CPC ..... F25D 2331/804; F25D 2331/801; F25D  
3/08; B65D 30/08; B65D 30/22; B65D  
81/3858; B65D 81/3828; B65D 81/3888;  
B65D 81/18; B65D 81/3897; B65D  
31/04; B65D 53/00; B65D 69/00; B65D  
8/18; A45C 11/20; A45C 13/02; A45C  
7/0077; A45C 3/001; A45C 3/00; A45C  
5/02; A45F 3/02; A45F 3/12; A45F 3/14;  
A45F 3/04; A45F 4/02; A47J 47/145  
See application file for complete search history.

(56) **References Cited**

U.S. PATENT DOCUMENTS

4,537,313 A \* 8/1985 Workman ..... A47J 47/145  
206/545  
4,805,776 A \* 2/1989 Namgyal ..... A45C 3/00  
206/523

D340,387 S \* 10/1993 Melk ..... D3/289  
D371,052 S \* 6/1996 Melk ..... D7/607  
D387,249 S \* 12/1997 Mogil ..... D7/607  
D412,269 S \* 7/1999 Wyant ..... D7/607  
6,068,402 A \* 5/2000 Freese ..... A45C 11/20  
383/108  
6,238,091 B1 \* 5/2001 Mogil ..... A45C 7/0077  
383/110  
6,247,328 B1 \* 6/2001 Mogil ..... A45C 7/0077  
383/110  
6,296,165 B1 \* 10/2001 Mears ..... A45C 3/00  
150/107  
D465,134 S \* 11/2002 Joss ..... D3/287  
D478,782 S \* 8/2003 Li ..... D7/607

(Continued)

*Primary Examiner* — Terry A Wallace

(74) *Attorney, Agent, or Firm* — Reinhart Boerner Van  
Deuren s.c.

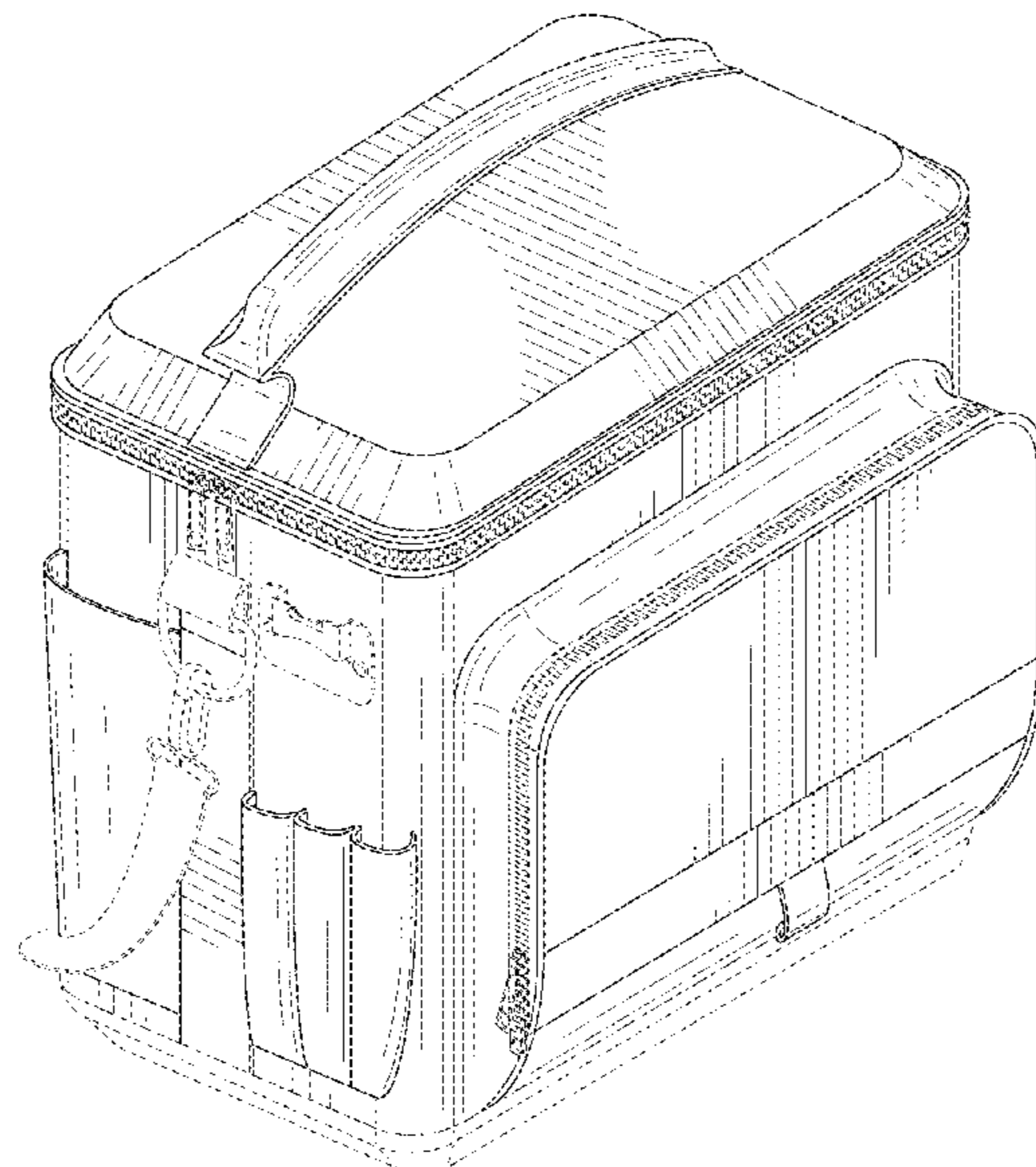
(57) **CLAIM**

We claim the ornamental design for a cooler, as shown and  
described.

**DESCRIPTION**

FIG. 1 is a top perspective view of a cooler showing our new  
design.  
FIG. 2 is a bottom plan view thereof.  
FIG. 3 is a front view thereof.  
FIG. 4 is a rear view thereof.  
FIG. 5 is a right side view thereof.  
FIG. 6 is a left side view thereof.  
FIG. 7 is a top plan view thereof; and,  
FIG. 8 is a bottom plan view thereof.  
The ornamental design which is claimed is shown in solid  
lines in the drawings. The broken dot-dash lines define  
boundaries of the claimed design and form no part thereof.  
The other broken lines in the drawings are for illustrative  
purposes only and form no part of the claimed design.

**1 Claim, 8 Drawing Sheets**



(56)

**References Cited**

U.S. PATENT DOCUMENTS

D573,422 S \* 7/2008 Tagliati ..... D3/287  
7,669,436 B2 \* 3/2010 Mogil ..... A45C 11/20  
62/457.7  
8,043,004 B2 \* 10/2011 Mogil ..... A45C 5/02  
206/541  
D762,384 S \* 8/2016 Boroski ..... D3/283  
9,408,445 B2 \* 8/2016 Mogil ..... A45C 3/001  
9,809,376 B2 \* 11/2017 Mitchell ..... A45C 7/0077  
2005/0205459 A1 \* 9/2005 Mogil ..... A45C 11/20  
206/545  
2007/0237432 A1 \* 10/2007 Mogil ..... A45C 7/0077  
383/38  
2016/0101924 A1 \* 4/2016 Mitchell ..... A45C 7/0077  
220/592.2

\* cited by examiner

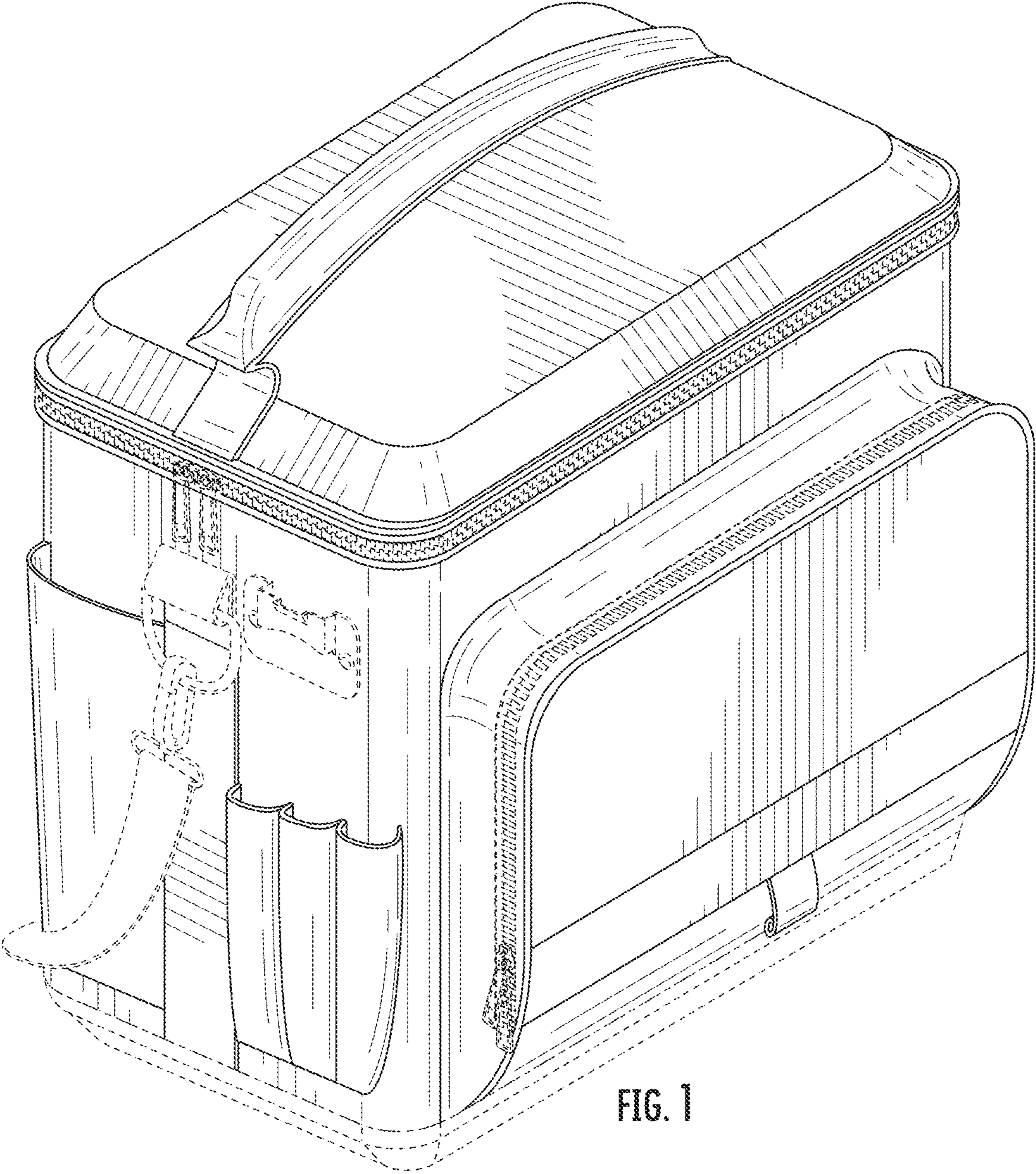


FIG. 1

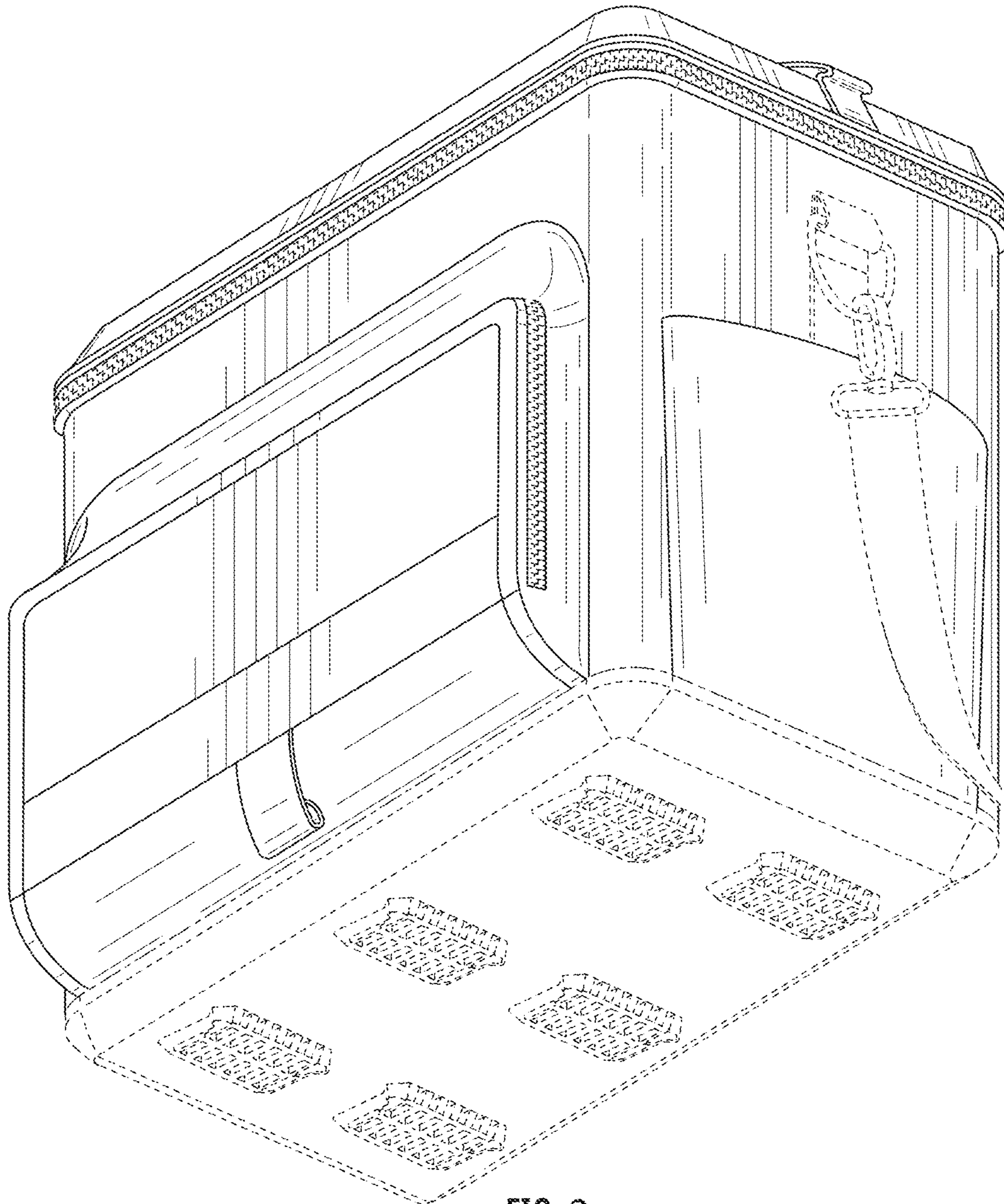


FIG. 2

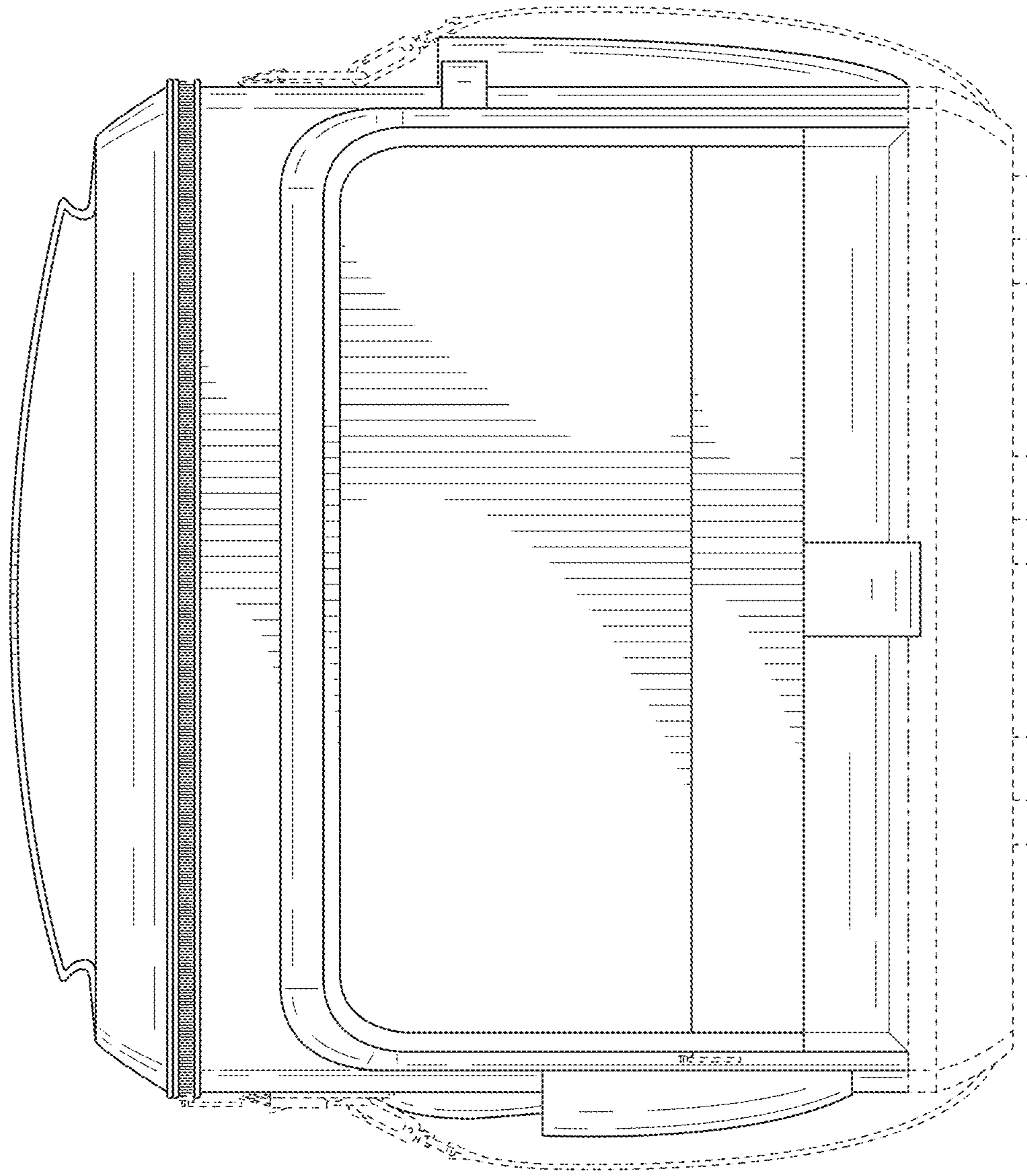


FIG. 3

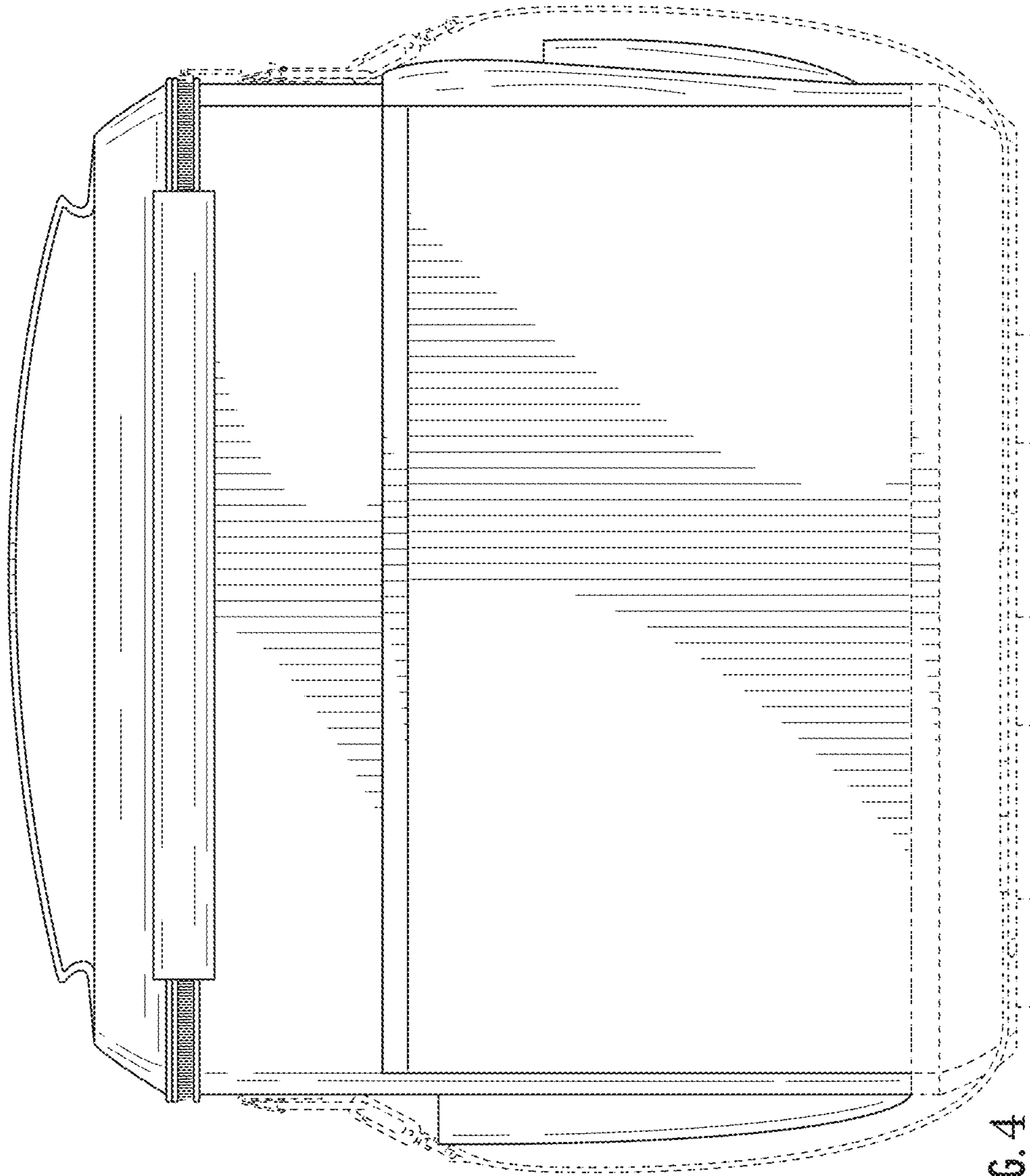


FIG. 4

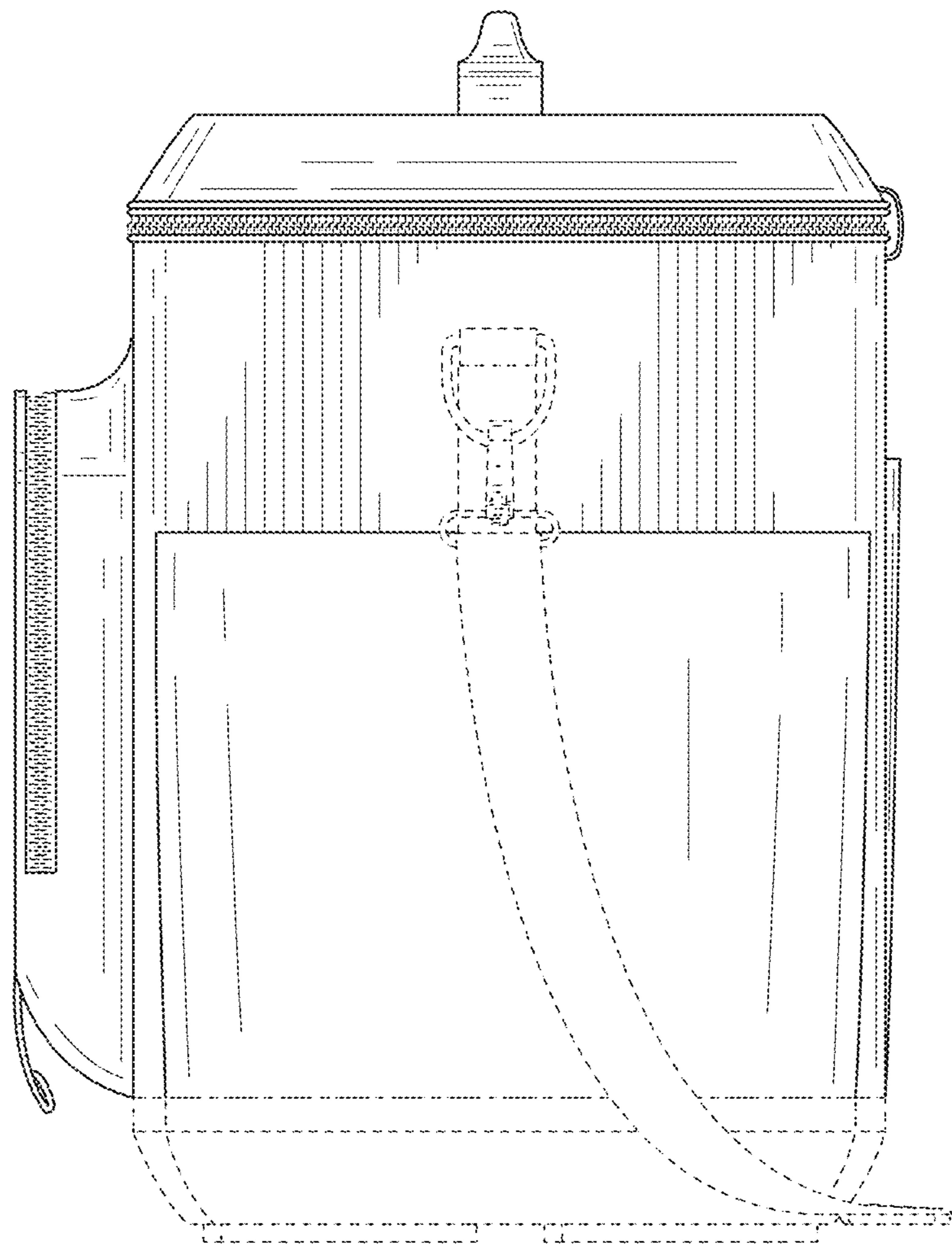


FIG. 5

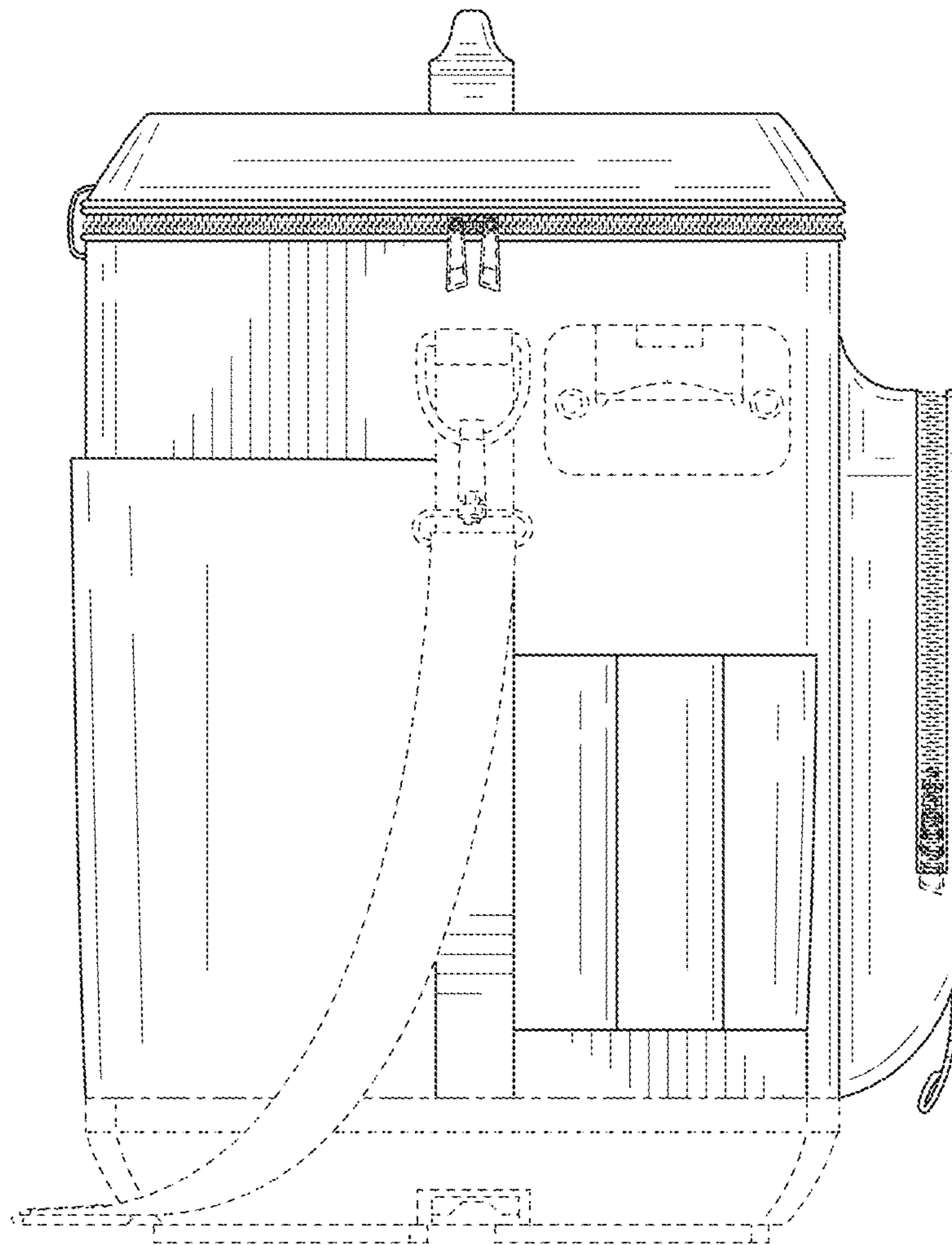


FIG. 6



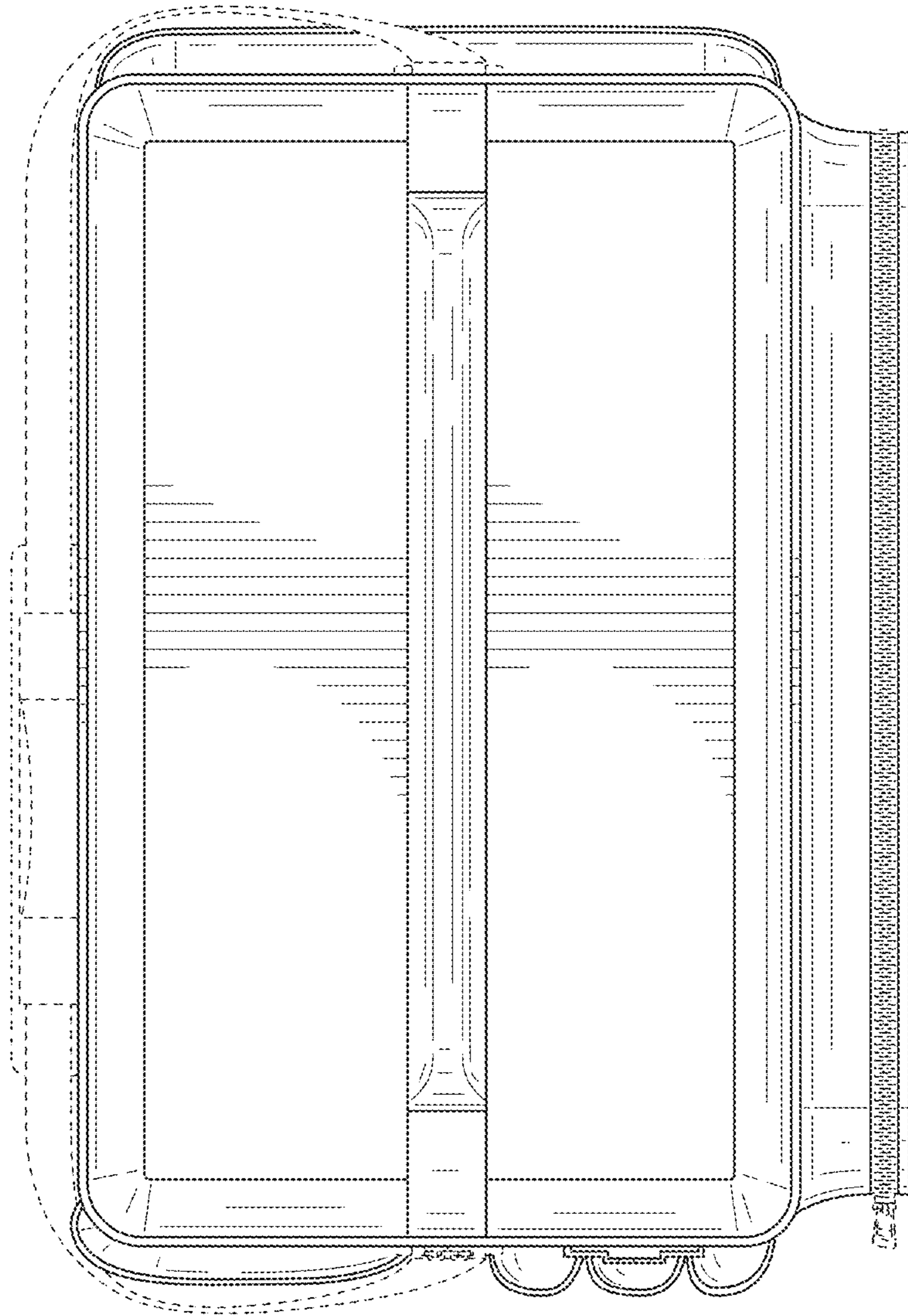


FIG. 7

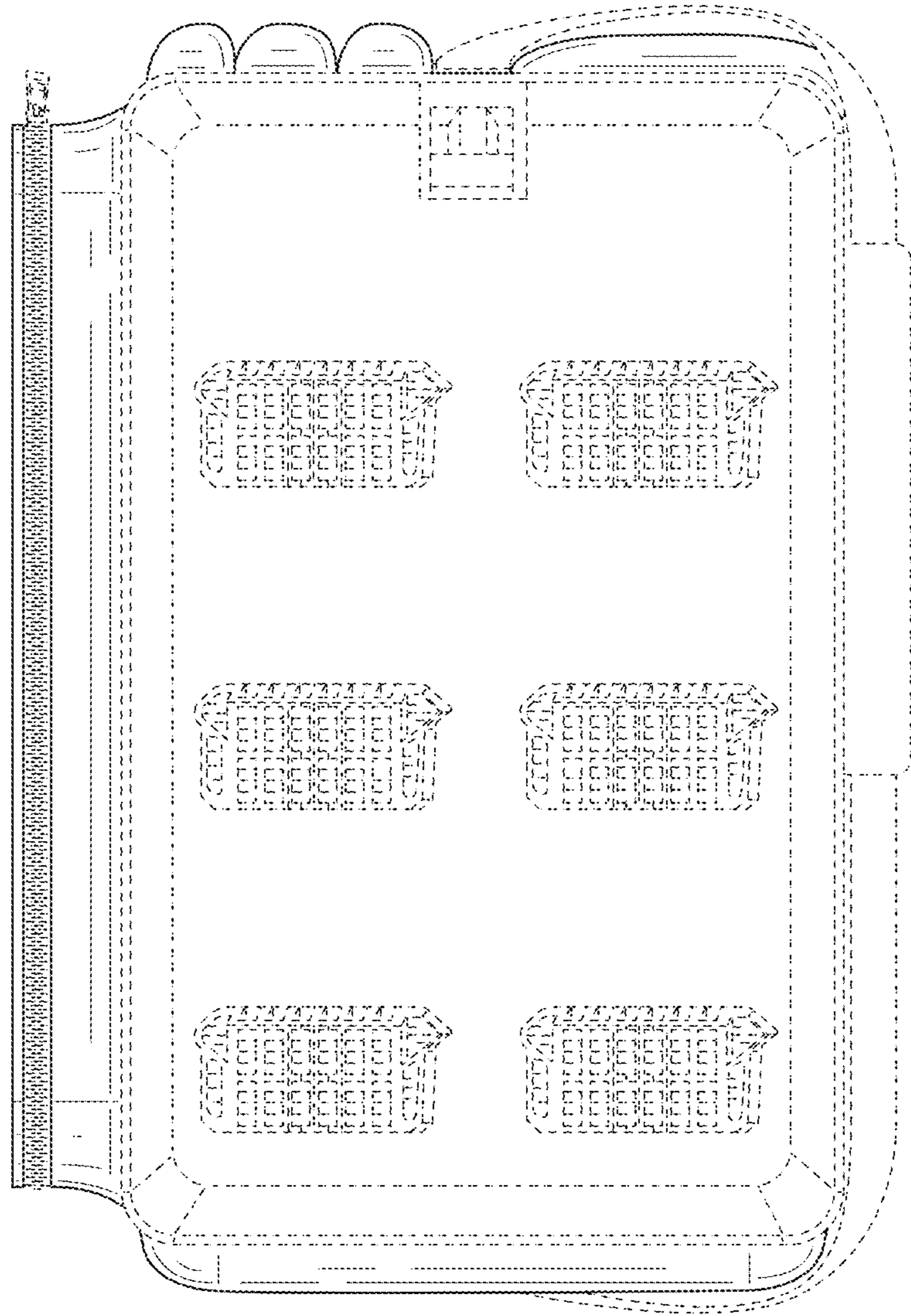


FIG. 8