



US00D903428S

(12) **United States Design Patent**  
**Gadd et al.**

(10) **Patent No.:** **US D903,428 S**

(45) **Date of Patent:** **\*\* Dec. 1, 2020**

(54) **PRODUCT DISPENSER**

(71) Applicant: **MARS, Incorporated**, McLean, VA (US)

(72) Inventors: **David Gadd**, Chicago, IL (US);  
**Richard Donaldson**, Cumbria (GB);  
**John MacDonald**, Bristol (GB);  
**Matthew Wright**, Bath (GB)

(73) Assignee: **MARS, INCORPORATED**, McLean, VA (US)

(\*\*) Term: **15 Years**

(21) Appl. No.: **29/664,524**

(22) Filed: **Sep. 26, 2018**

(30) **Foreign Application Priority Data**

Mar. 30, 2018 (EM) ..... 005137908

(51) **LOC (12) Cl.** ..... **07-07**

(52) **U.S. Cl.**  
USPC ..... **D7/589**

(58) **Field of Classification Search**  
USPC ..... D7/590, 589; 239/13; D9/522, 682;  
222/146.5

CPC ..... A47G 19/26; B05B 9/002; B05B 9/005;  
B65D 47/265

See application file for complete search history.

(56) **References Cited**

**U.S. PATENT DOCUMENTS**

D414,369 S \* 9/1999 Miller ..... D7/300  
D476,558 S \* 7/2003 Cho ..... D9/685  
D584,924 S \* 1/2009 Tseng ..... D7/589  
D642,437 S \* 8/2011 Schofield ..... D7/510  
8,056,764 B2 \* 11/2011 Paasch ..... G01F 11/028  
222/146.5  
9,084,499 B2 \* 7/2015 Papavero ..... A47G 19/26

D748,949 S \* 2/2016 Long, Sr. .... D7/590  
D779,277 S \* 2/2017 Muller ..... D7/589  
D779,278 S \* 2/2017 Muller ..... D7/589  
D779,279 S \* 2/2017 Muller ..... D7/589  
D779,888 S \* 2/2017 Baker ..... D7/589  
D780,517 S \* 3/2017 Boroski ..... D7/511  
D783,420 S \* 4/2017 Patel ..... D9/729  
D804,904 S \* 12/2017 Noveletsky ..... D7/510  
D817,104 S \* 5/2018 Ignatoff ..... D7/589  
9,975,676 B2 \* 5/2018 Chen ..... B65D 55/02  
D823,127 S \* 7/2018 Desdoigts ..... D9/692  
D823,128 S \* 7/2018 Desdoigts ..... D9/692

(Continued)

*Primary Examiner* — Cynthia R Underwood

(57) **CLAIM**

We claim the ornamental design for a product dispenser, as substantially shown and described.

**DESCRIPTION**

FIG. 1 is a top perspective view of a product dispenser of the present invention.

FIG. 2 is a front view thereof;

FIG. 3 is a rear view thereof;

FIG. 4 is a right side view thereof;

FIG. 5 is a left side view thereof;

FIG. 6 is a top plan view thereof;

FIG. 7 is a bottom view thereof;

FIG. 8 is a top perspective view of a second embodiment of the product dispenser of the present invention.

FIG. 9 is a front view thereof;

FIG. 10 is a rear view thereof;

FIG. 11 is a right side view thereof;

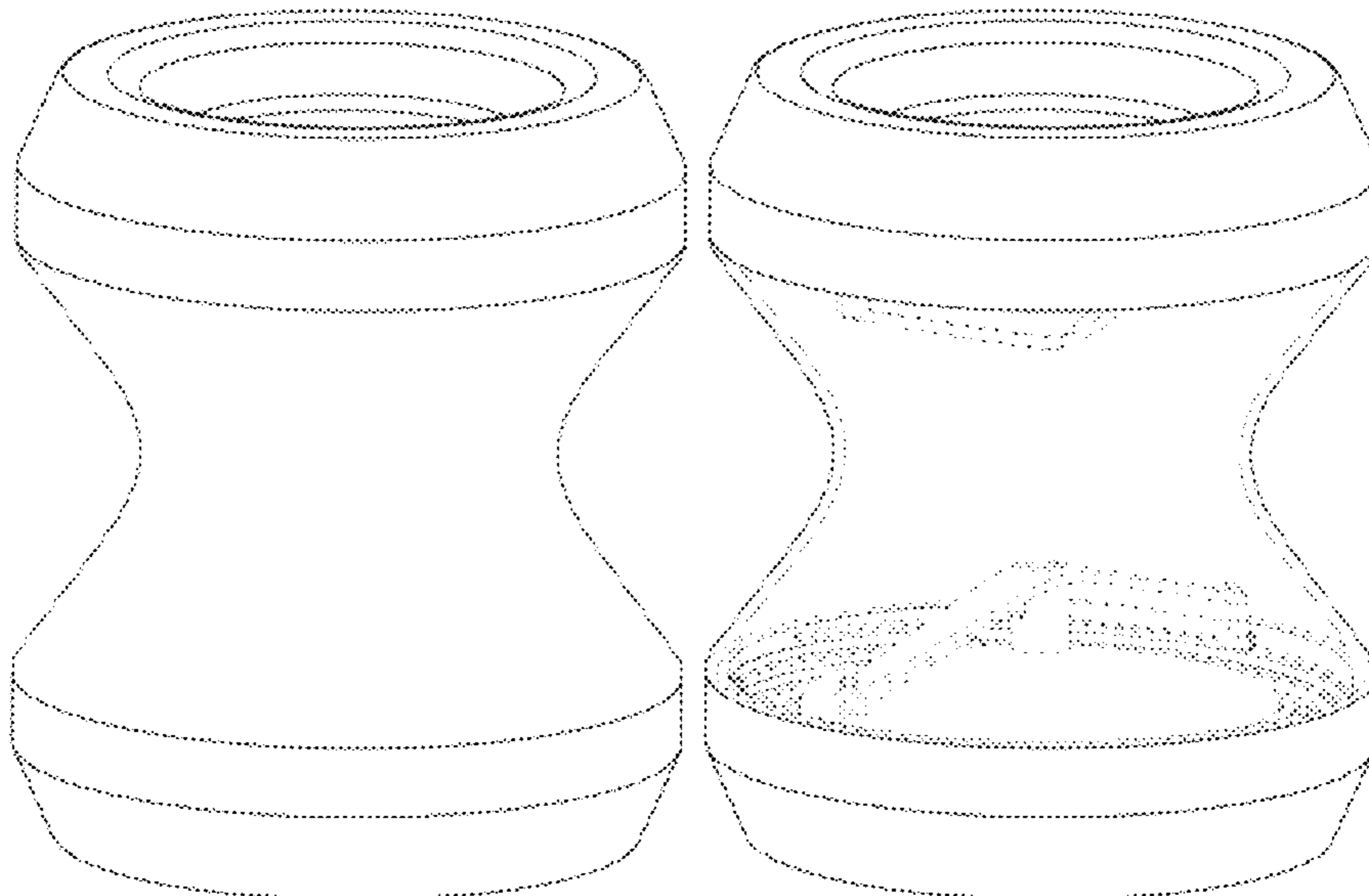
FIG. 12 is a left side view thereof;

FIG. 13 is a top plan view thereof; and,

FIG. 14 is a bottom view thereof.

The broken lines represent an environment of use that forms no part of the claim. The boundary lines represent a boundary of the claim.

**1 Claim, 14 Drawing Sheets**



(56)

**References Cited**

U.S. PATENT DOCUMENTS

10,131,473 B2 \* 11/2018 Sterling ..... B65D 47/2031  
D847,581 S \* 5/2019 Gentile ..... D7/602  
D854,886 S \* 7/2019 Lou ..... D7/510  
D857,461 S \* 8/2019 Korsmit ..... D7/590  
10,383,467 B2 \* 8/2019 Chen ..... A47G 19/26  
10,392,239 B2 \* 8/2019 French ..... B65D 47/265  
D863,891 S \* 10/2019 Pochtler ..... D7/590  
D874,217 S \* 2/2020 Tsai ..... D7/396.2  
D881,704 S \* 4/2020 Sterling ..... D9/521  
D896,038 S \* 9/2020 Gadd ..... D7/589

\* cited by examiner

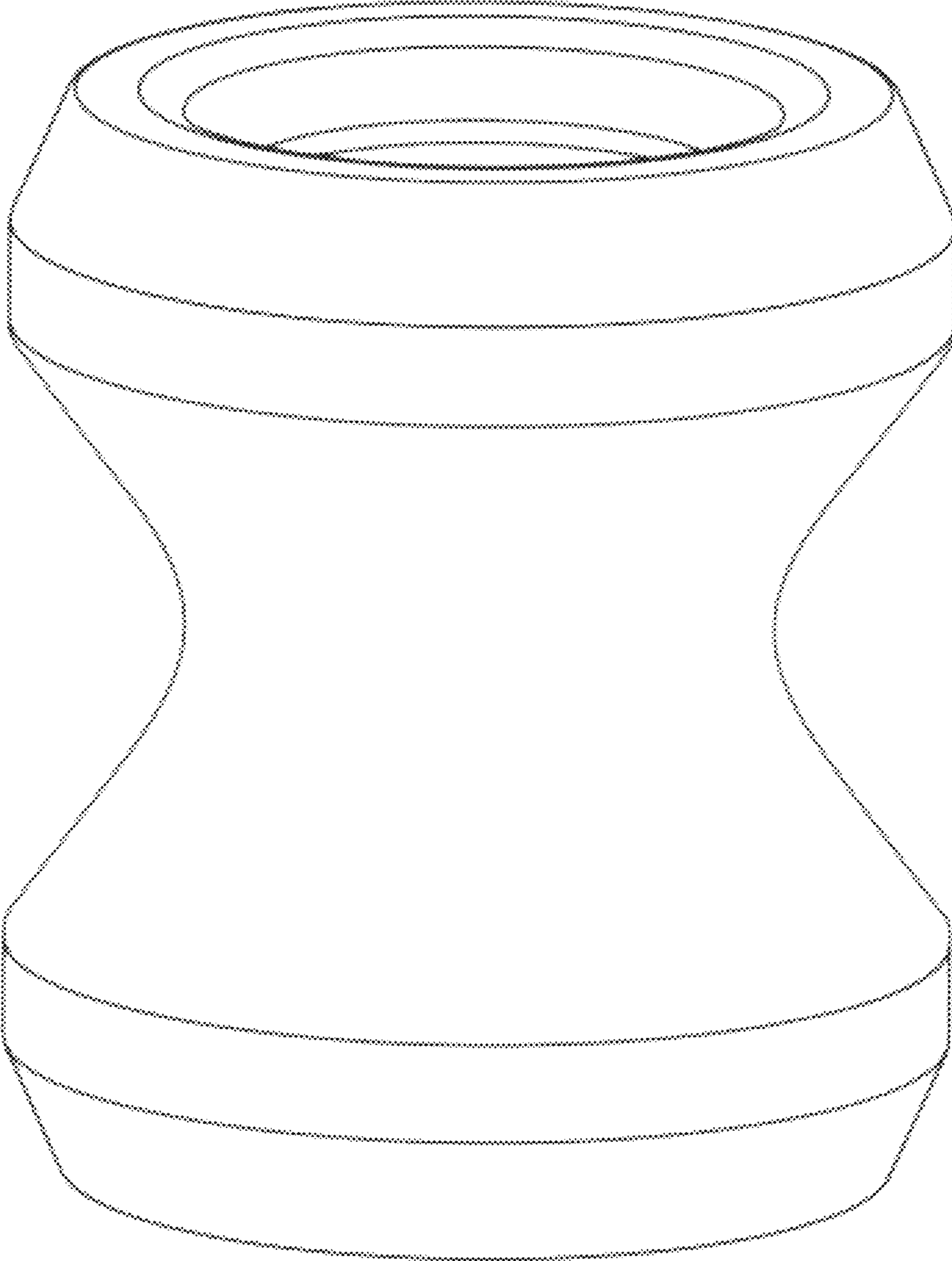


FIG. 1

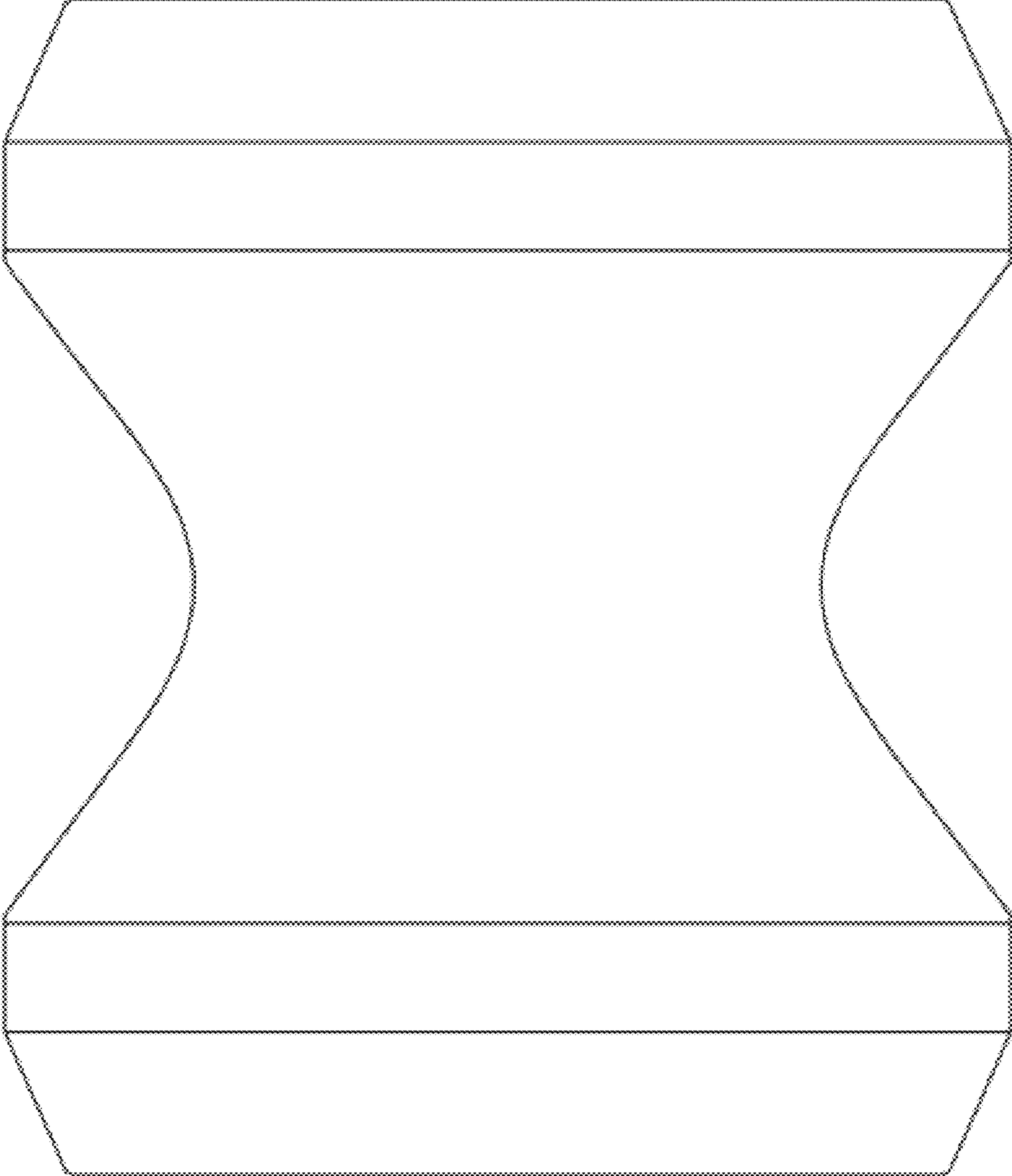


FIG. 2

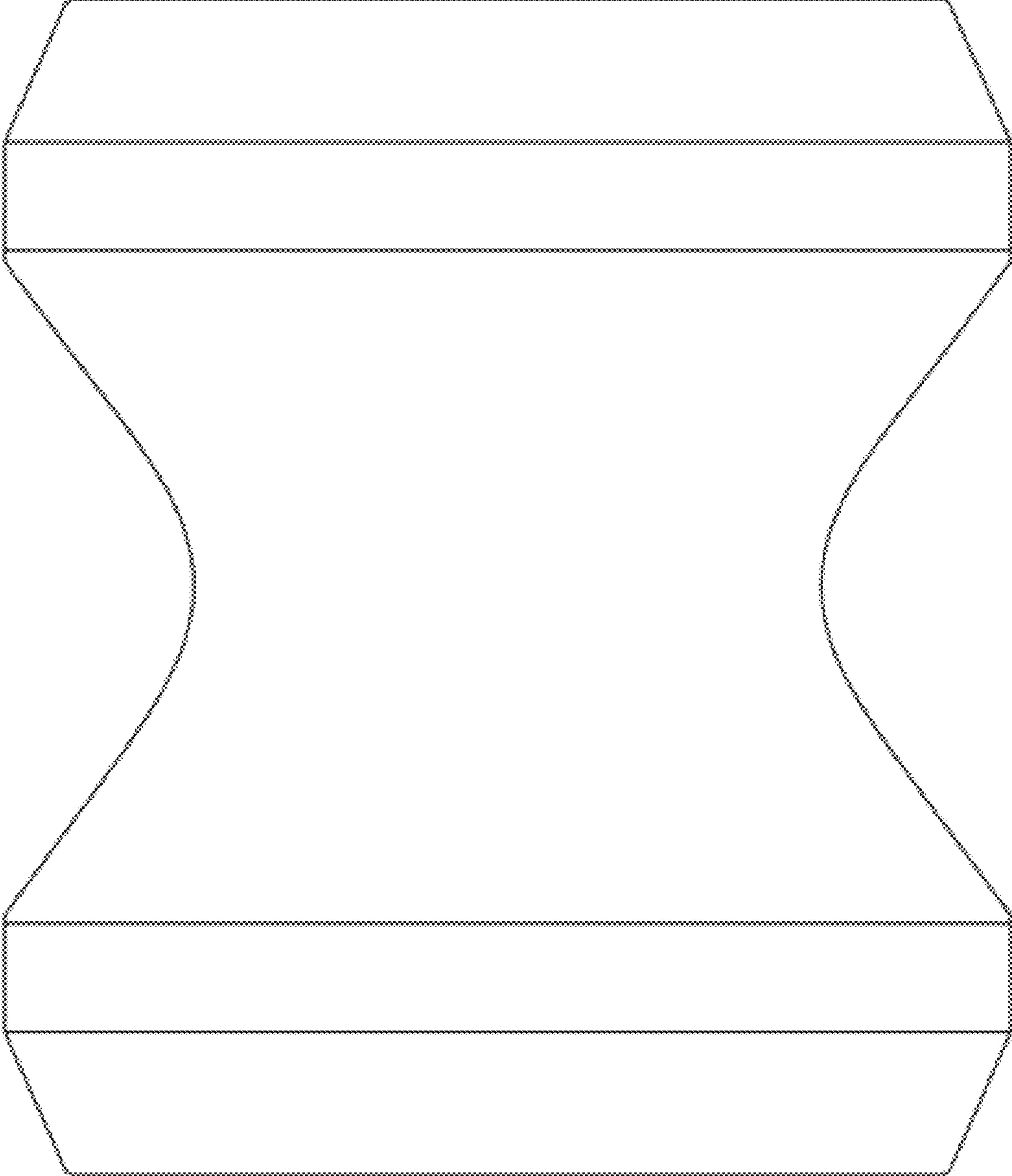


FIG. 3

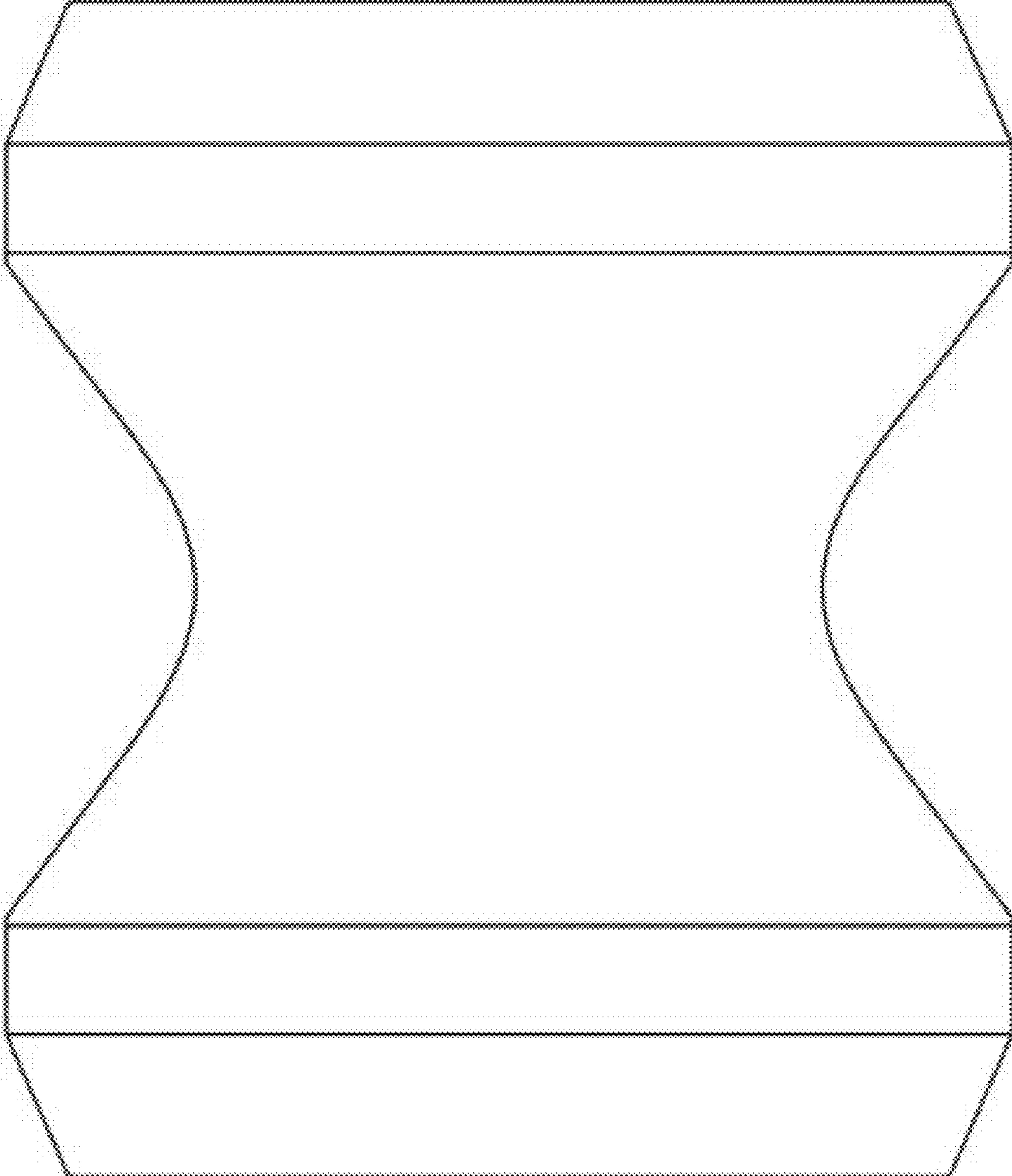


FIG. 4



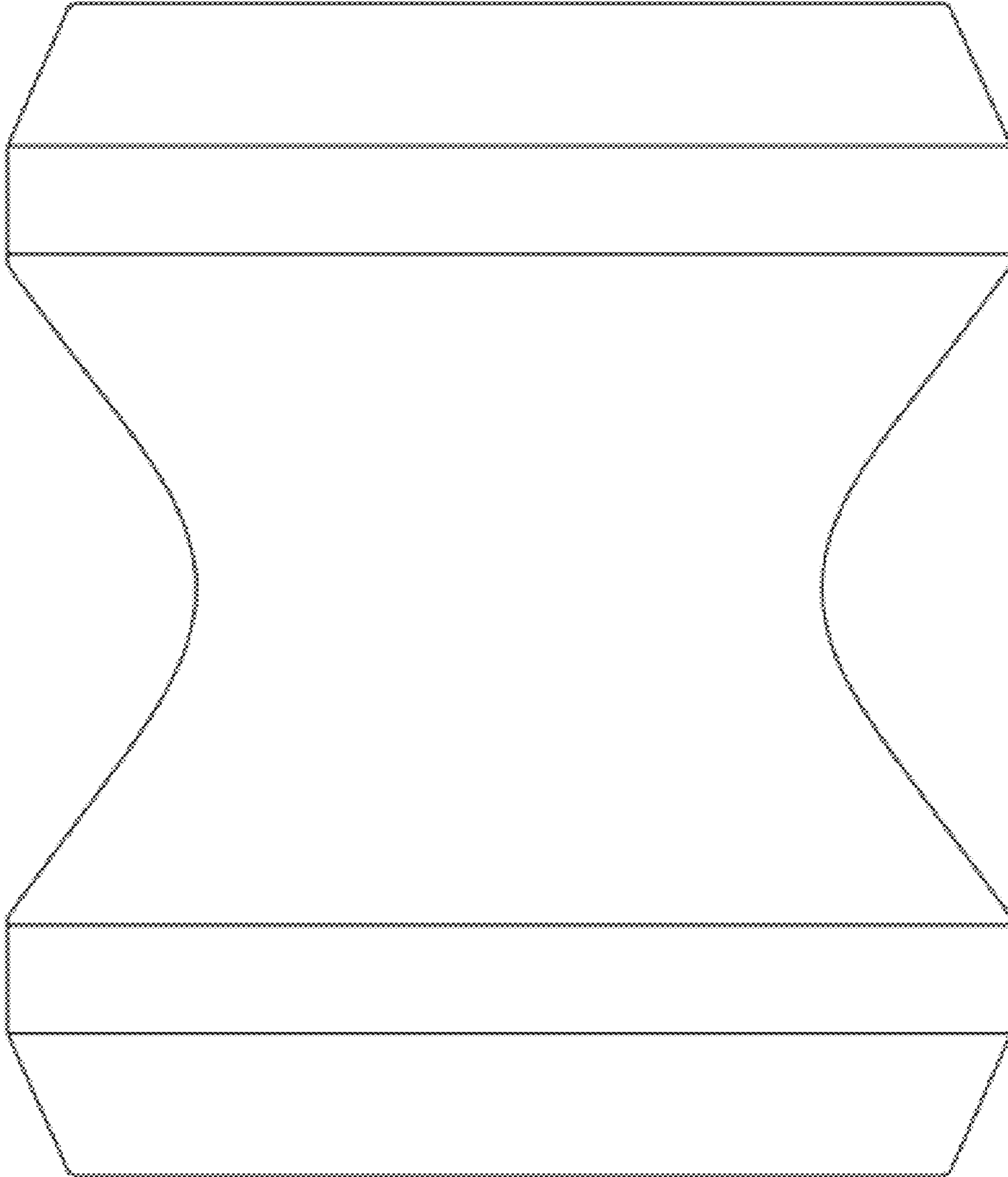


FIG. 5

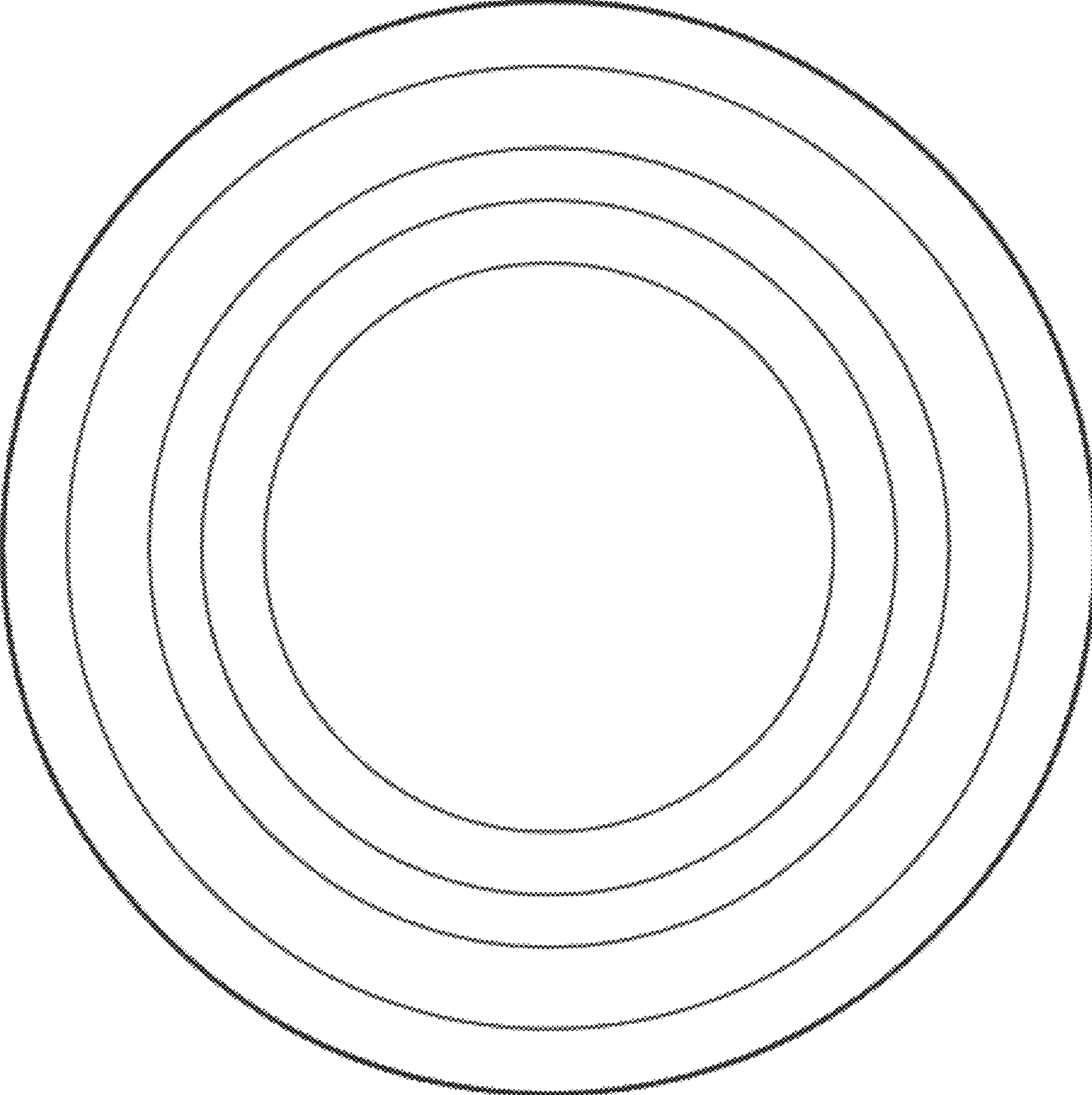


FIG. 6



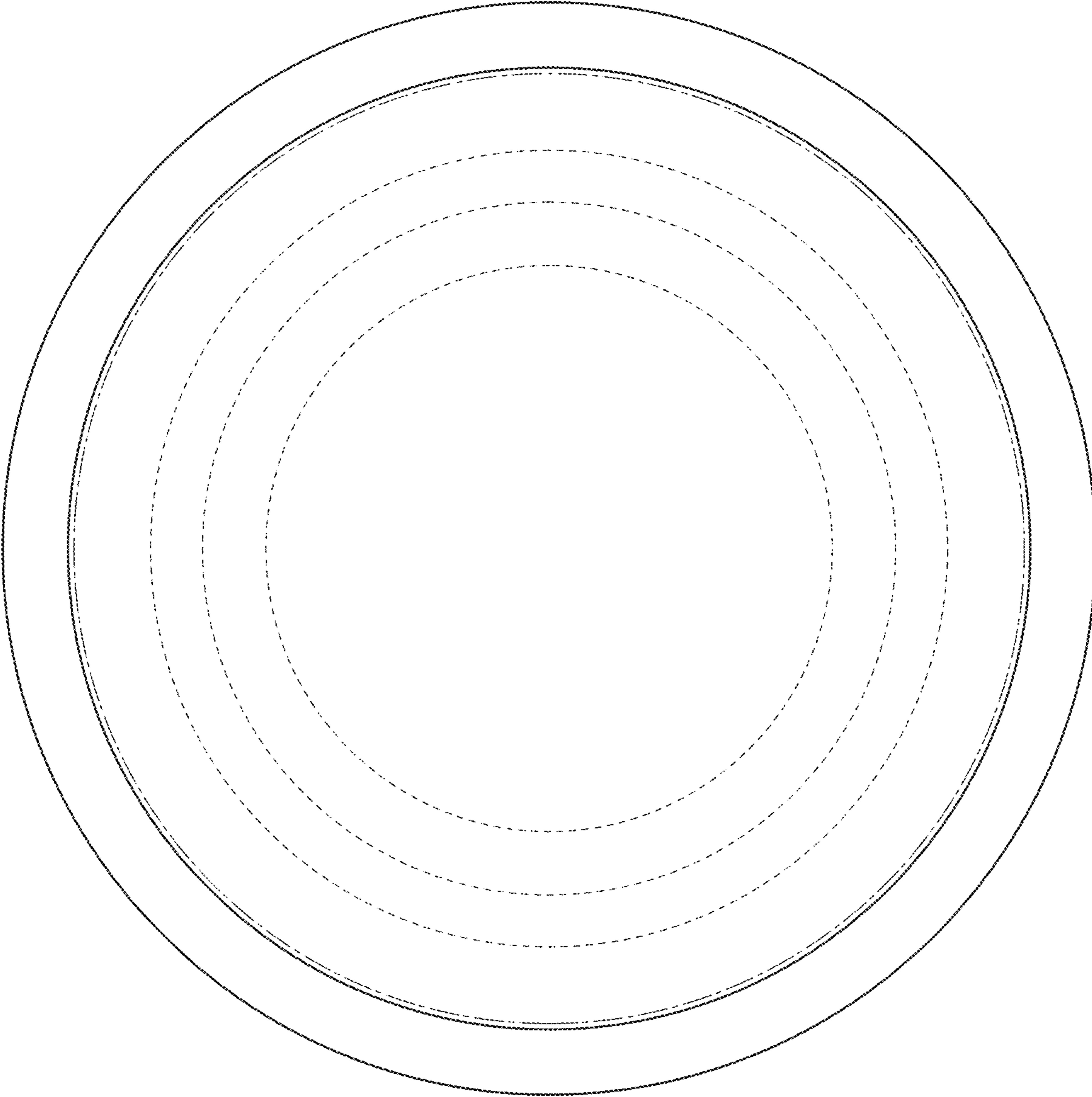


FIG. 7

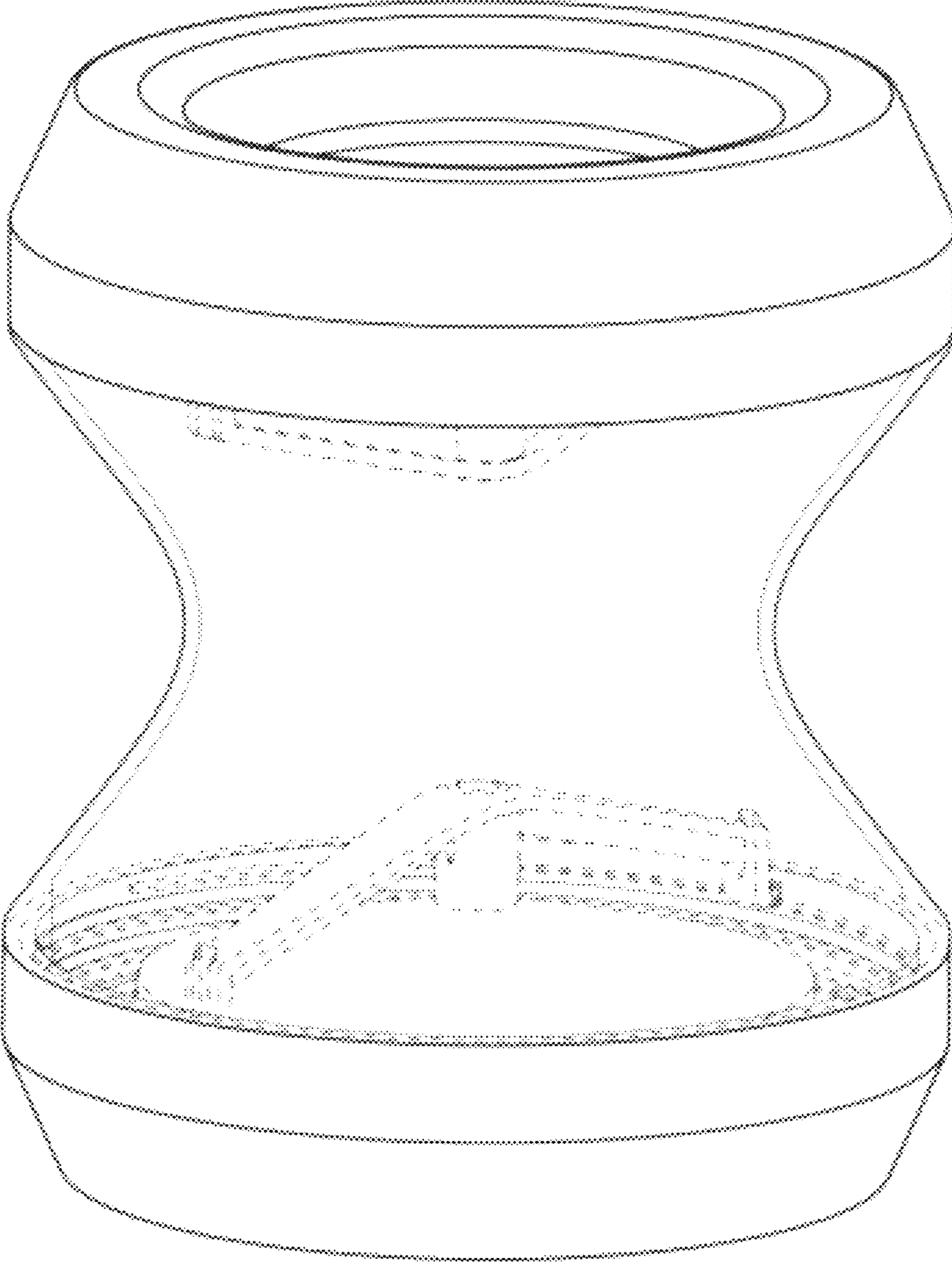


FIG. 8

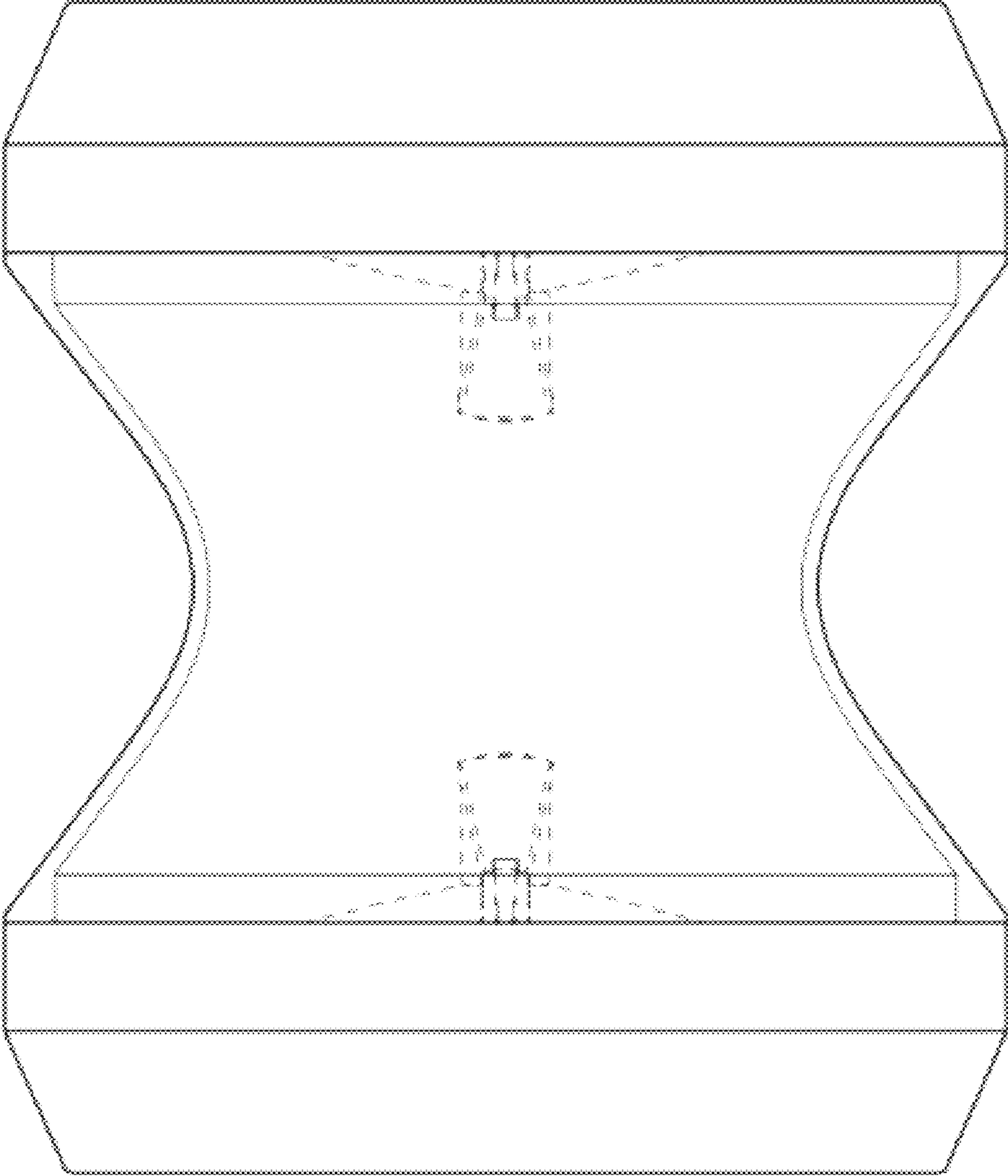


FIG. 9

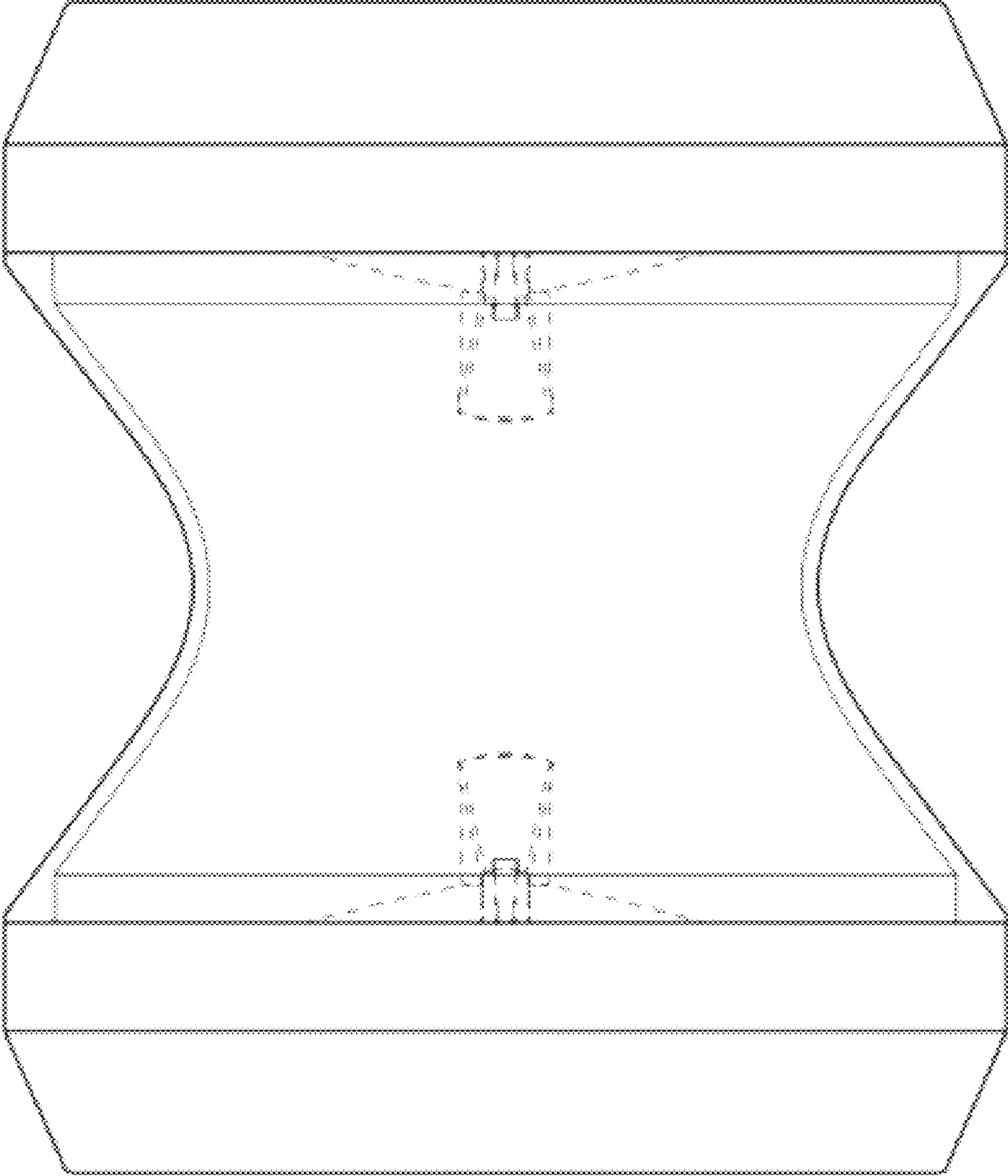


FIG. 10

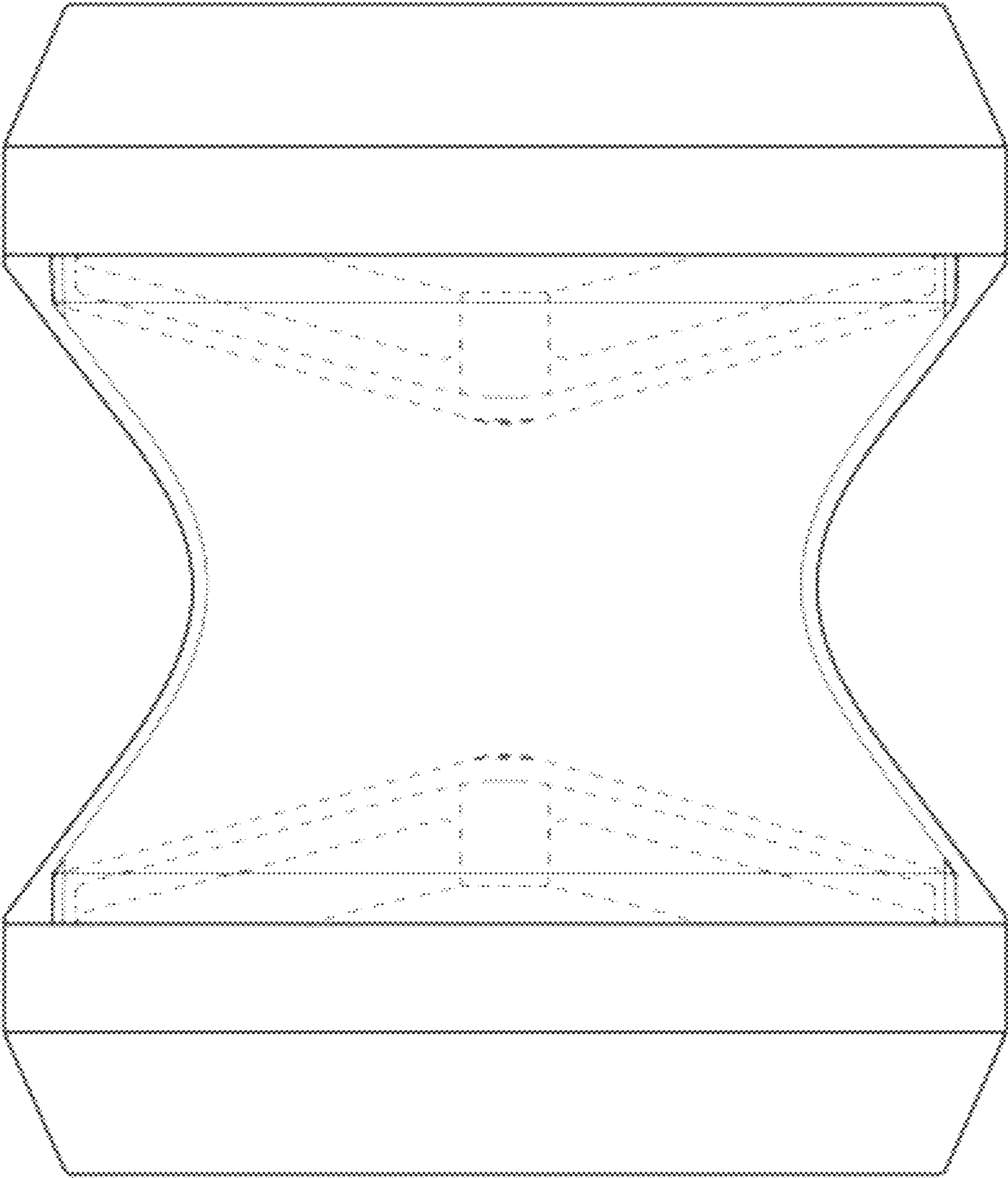


FIG. 11

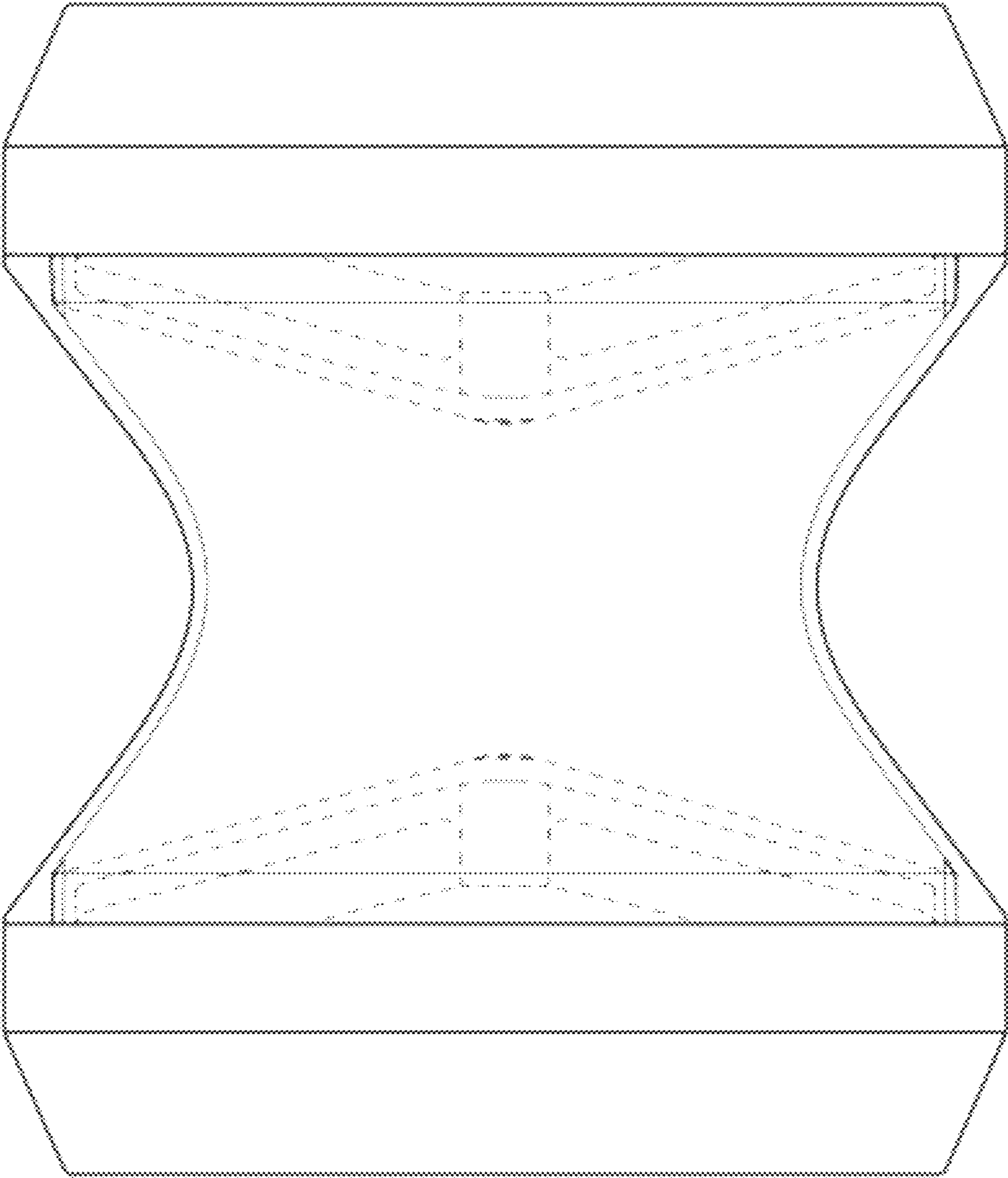


FIG. 12



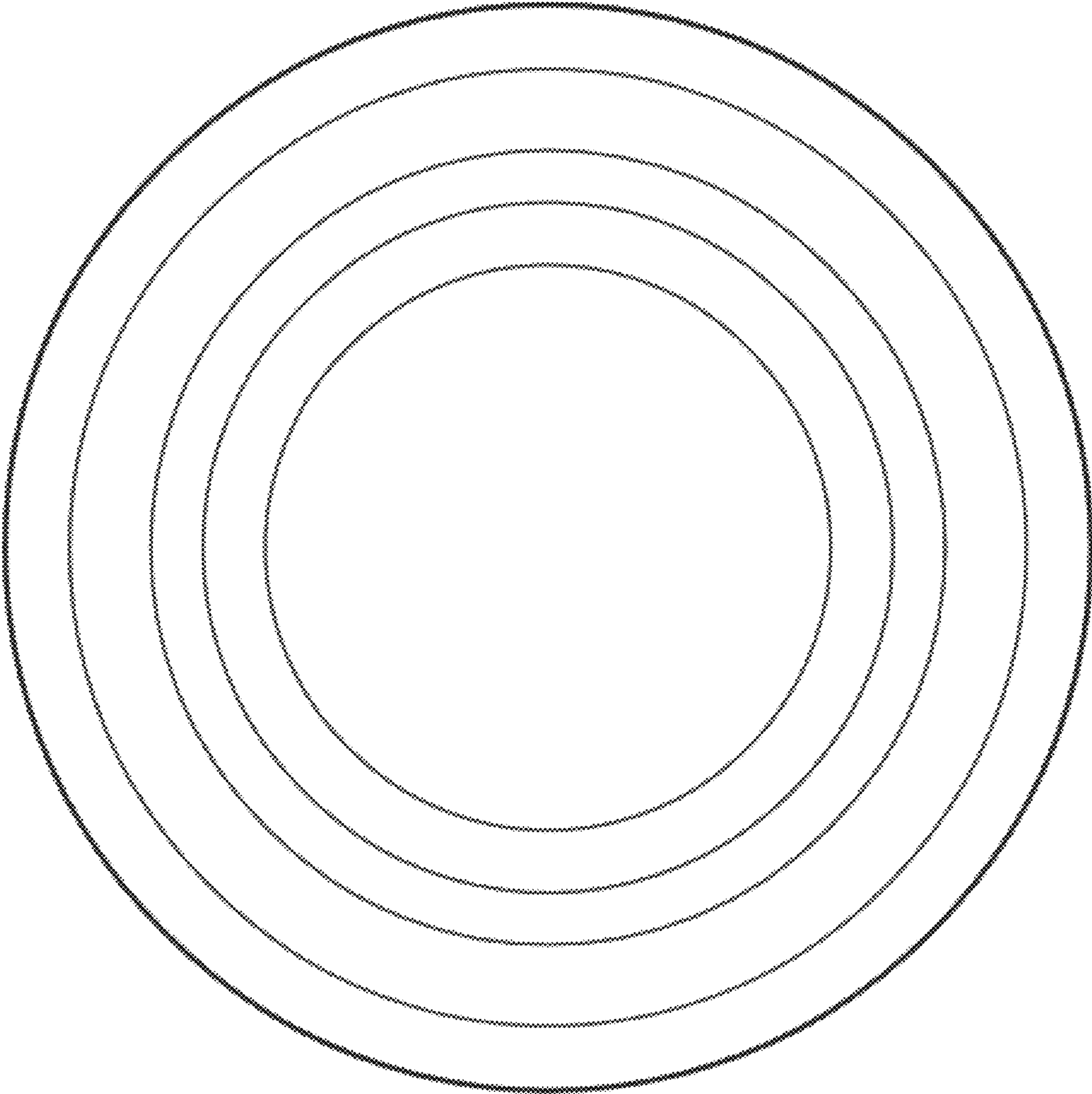


FIG. 13

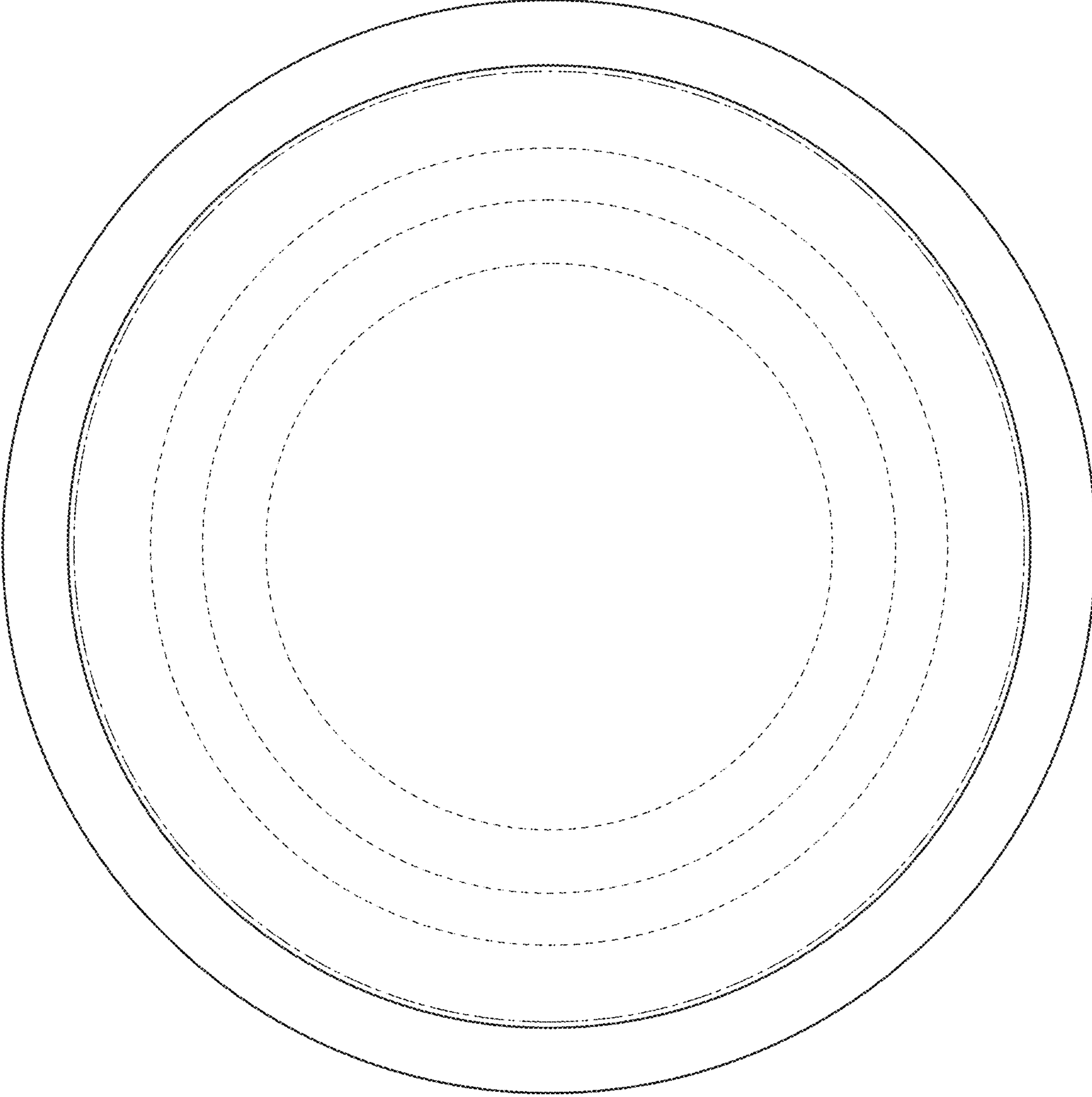


FIG. 14