



US00D903419S

(12) **United States Design Patent** (10) **Patent No.:** **US D903,419 S**
Wong (45) **Date of Patent:** **** Dec. 1, 2020**

(54) **BOTTLE**

D825,336 S * 8/2018 Spurrier D9/500
D859,080 S * 9/2019 Rummel D7/511
2015/0291312 A1* 10/2015 Kalagher B65D 81/3227
215/6

(71) Applicant: **SIM DESIGN LIMITED**

(72) Inventor: **Siu Wah Wong**, Tsuen Wan (HK)

* cited by examiner

(73) Assignee: **SIM DESIGN LIMITED**, Hong Kong (CN)

Primary Examiner — Susan E Krakower

Assistant Examiner — Andrew Kerr

(**) Term: **15 Years**

(74) *Attorney, Agent, or Firm* — Nyemaster Gode P.C.

(21) Appl. No.: **29/668,044**

(57) **CLAIM**

The ornamental design for a bottle, as shown and described.

(22) Filed: **Oct. 26, 2018**

DESCRIPTION

(51) **LOC (12) Cl.** **07-01**

(52) **U.S. Cl.**
USPC **D7/511**

(58) **Field of Classification Search**
USPC D7/300, 310, 509, 510, 511, 523, 591,
D7/387, 300.1, 300.2, 396.1, 396.2, 397,
D7/400, 584; D9/516, 544, 549, 545,
D9/551, 564, 439
CPC A45F 3/16; A45F 3/18; A45F 2003/163;
B65D 47/066; B65D 43/02; A47J 43/27;
B01D 35/02

See application file for complete search history.

FIG. 1 is a perspective view of a bottle showing my new design.

FIG. 2 is a front view of the bottle.

FIG. 3 is a rear view of the bottle.

FIG. 4 is a left side view of the bottle

FIG. 5 is a right side view of the bottle.

FIG. 6 is a top view of the bottle.

FIG. 7 is a bottom view of the bottle.

FIG. 8 is a perspective view of an alternative embodiment of the bottle of FIG. 1 showing my new design.

FIG. 9 is a front view of an alternative embodiment of the bottle of FIG. 8.

FIG. 10 is a rear view of an alternative embodiment of the bottle of FIG. 8.

FIG. 11 is a left side view of an alternative embodiment of the bottle of FIG. 8.

FIG. 12 is a right side view of an alternative embodiment of the bottle of FIG. 8.

FIG. 13 is a top view of an alternative embodiment of the bottle of FIG. 8; and,

FIG. 14 is a bottom view of an alternative embodiment of the bottle of FIG. 8.

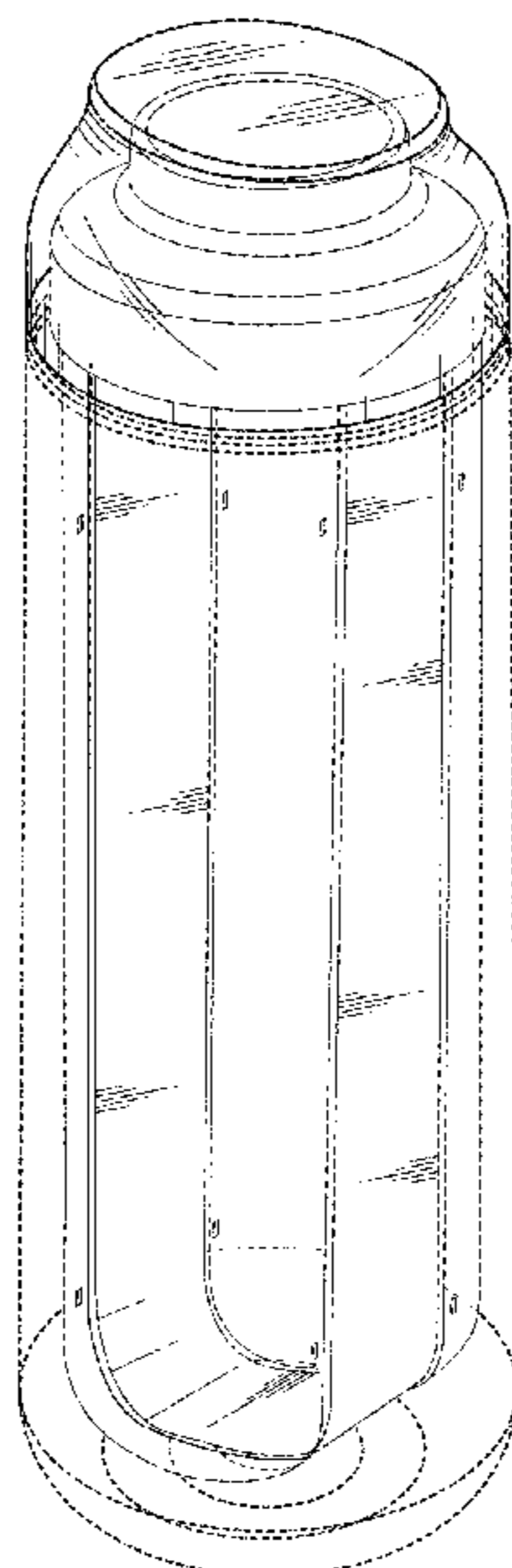
The broken lines shown in FIGS. 1-5, 7-12, and 14 depict portions of the bottle that form no part of the claimed design.

(56) **References Cited**

U.S. PATENT DOCUMENTS

D385,793 S * 11/1997 Marsal D24/224
D628,857 S * 12/2010 Tatsukawa D7/608
D703,052 S * 4/2014 Park D9/503
D703,053 S * 4/2014 Park D9/503
D747,924 S * 1/2016 Roth D23/207
9,376,249 B2 * 6/2016 Steele B65D 75/5883
D763,086 S * 8/2016 Kalagher D9/504
D777,575 S * 1/2017 Harada D9/503
9,801,492 B1 * 10/2017 Lin A47J 31/20
D804,950 S * 12/2017 Spurrier D9/500
D813,678 S * 3/2018 Kalagher D9/504
D823,641 S * 7/2018 Bodum D7/510

1 Claim, 14 Drawing Sheets



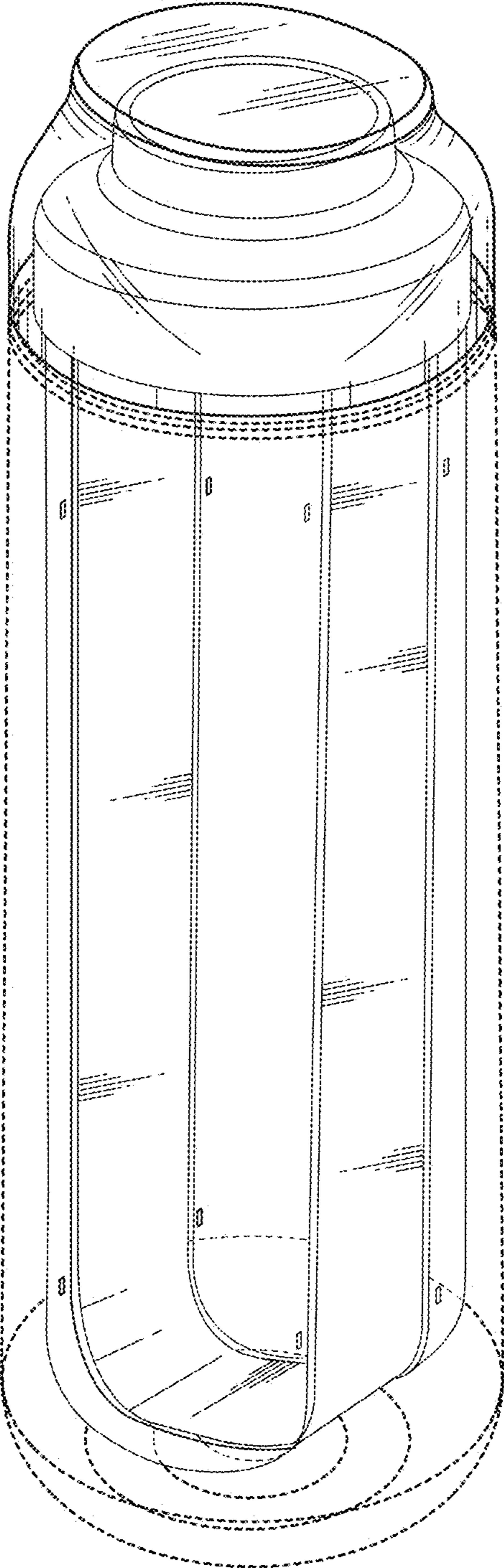


FIG. 1

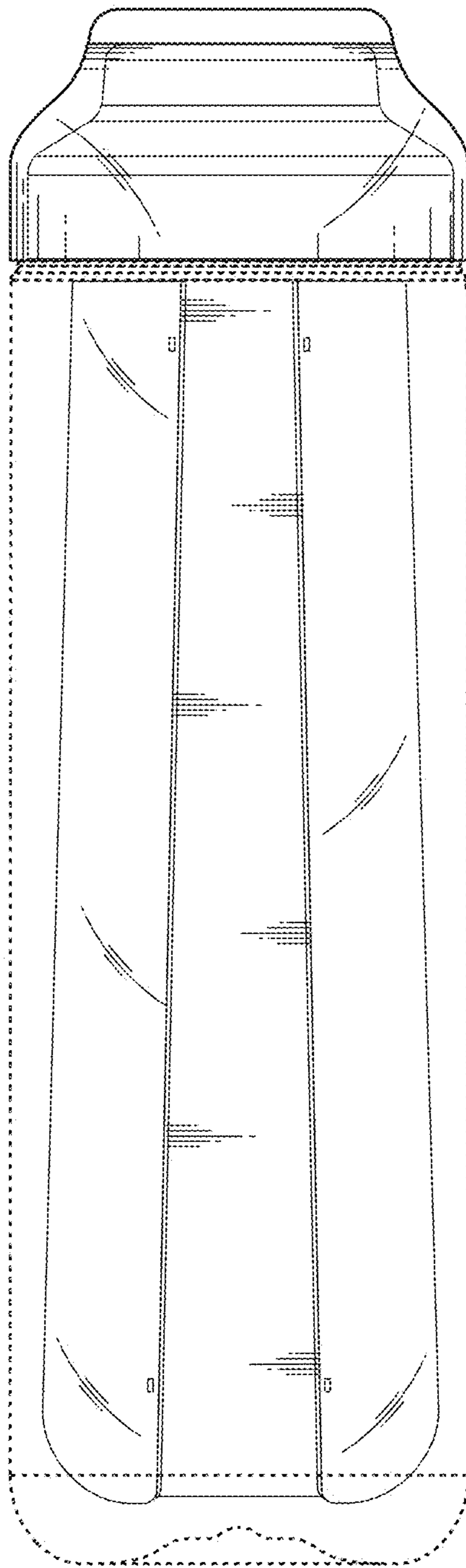


FIG. 2

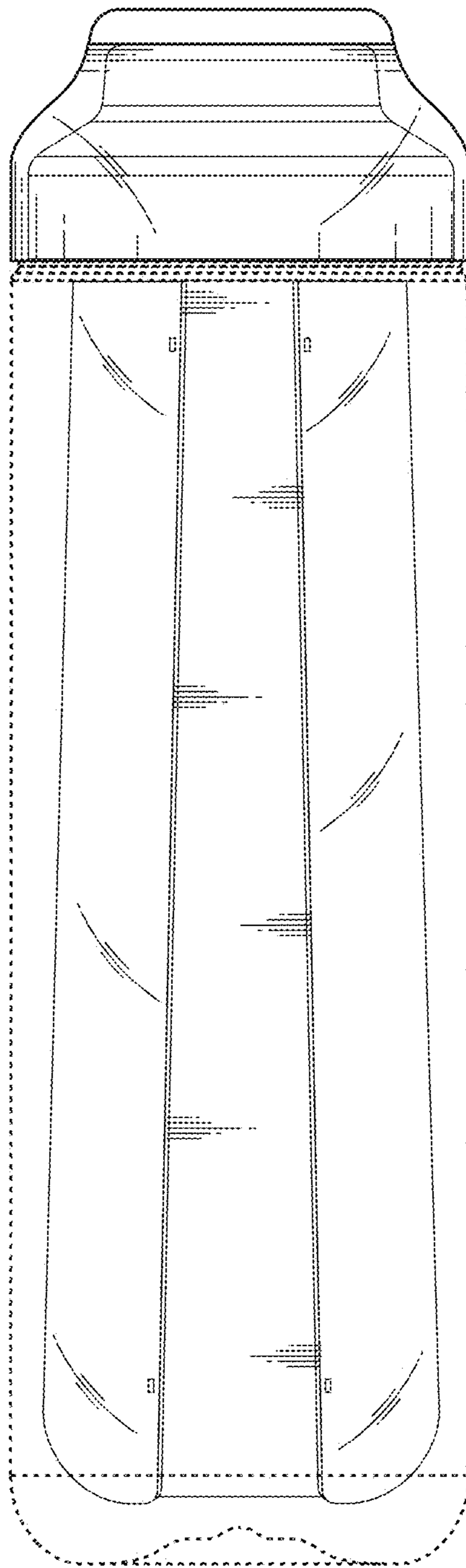


FIG. 3

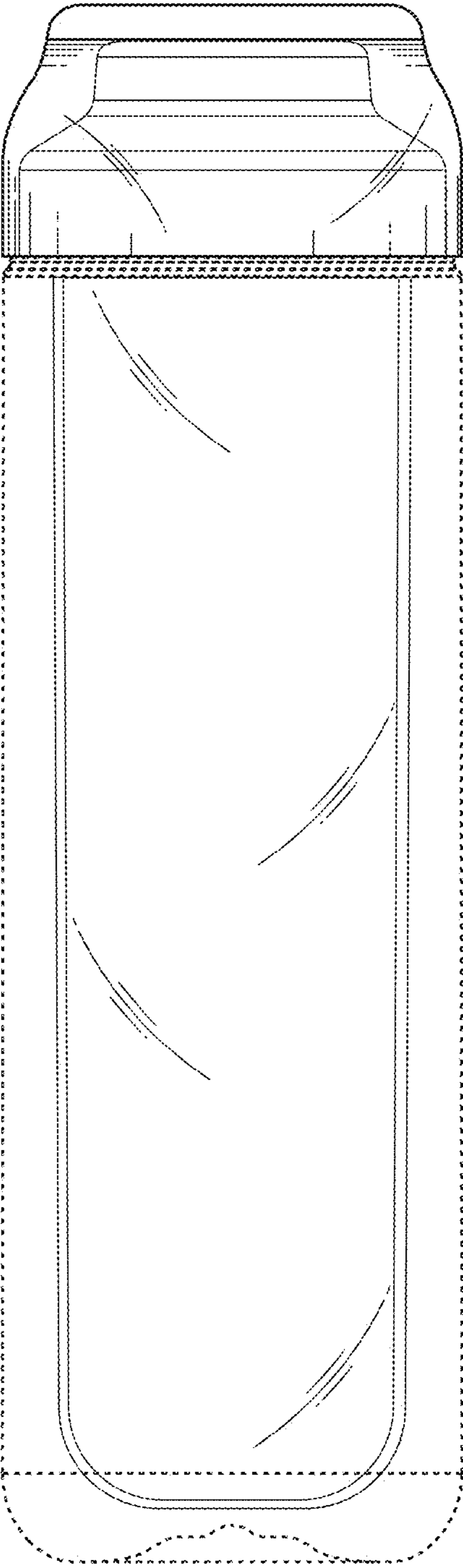


FIG. 4

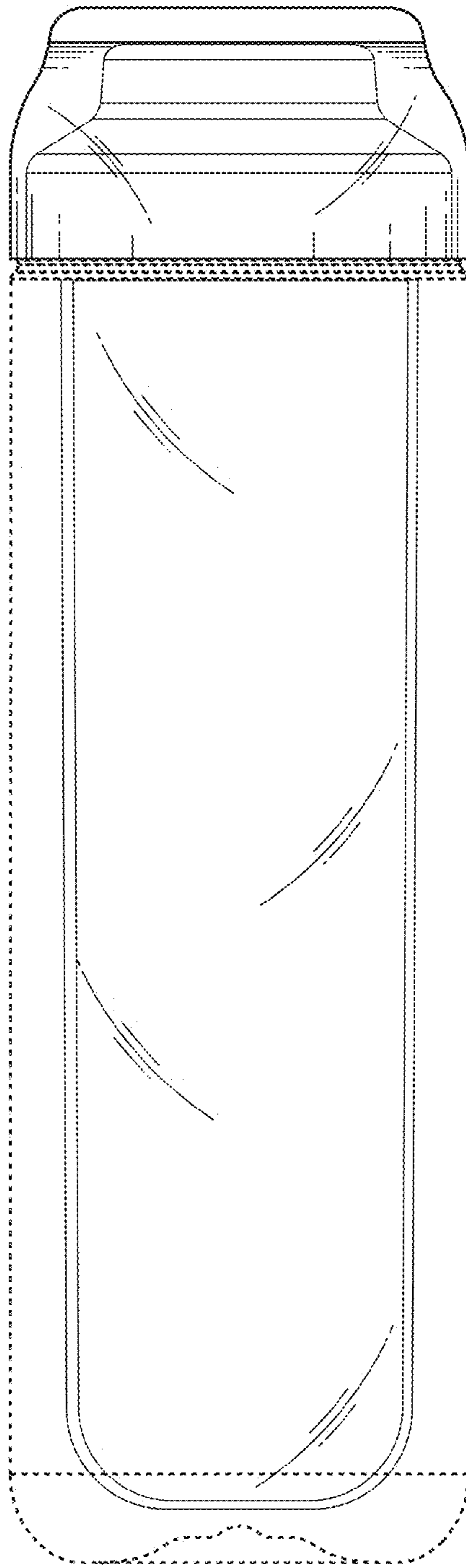


FIG. 5

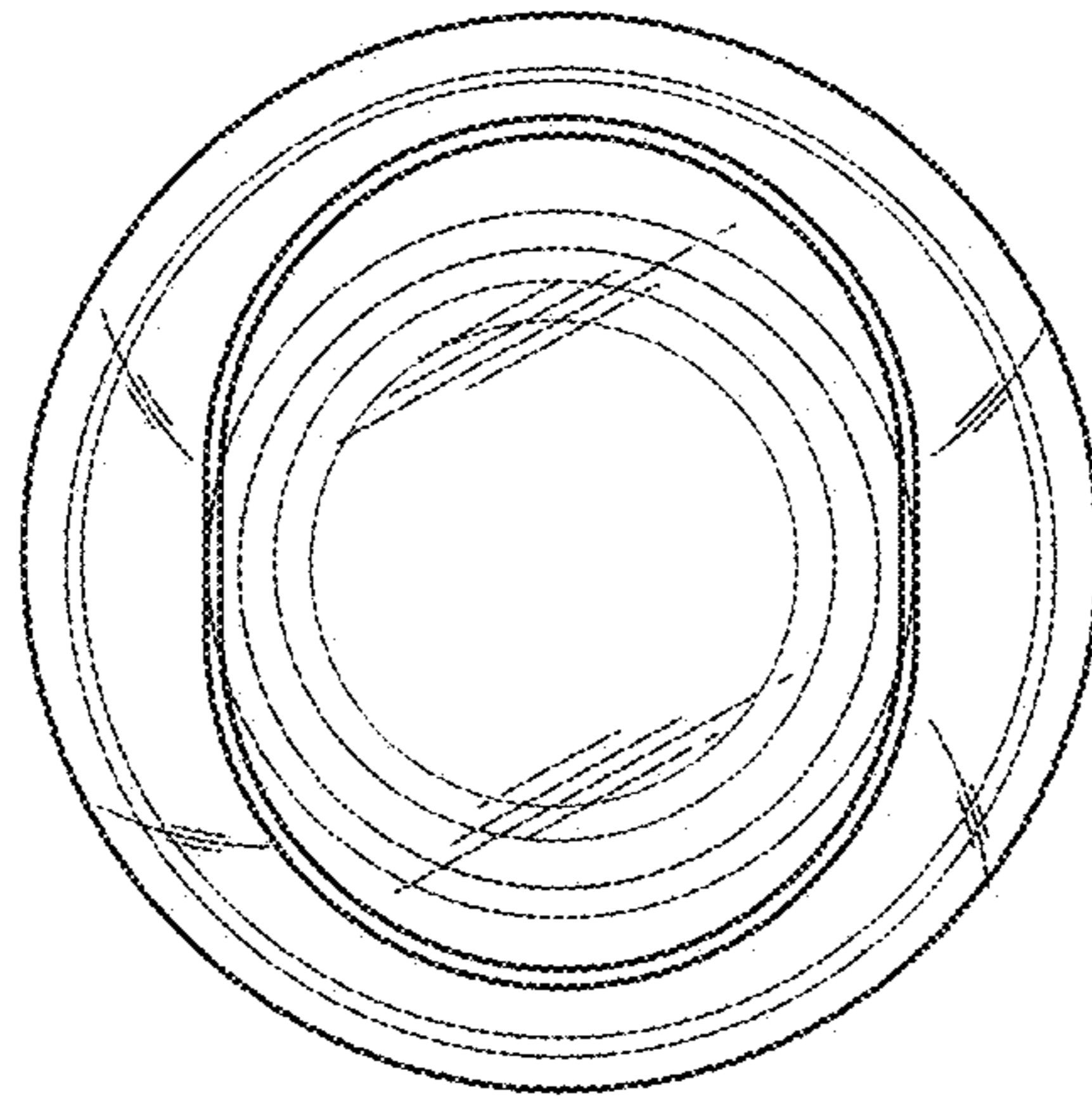


FIG. 6

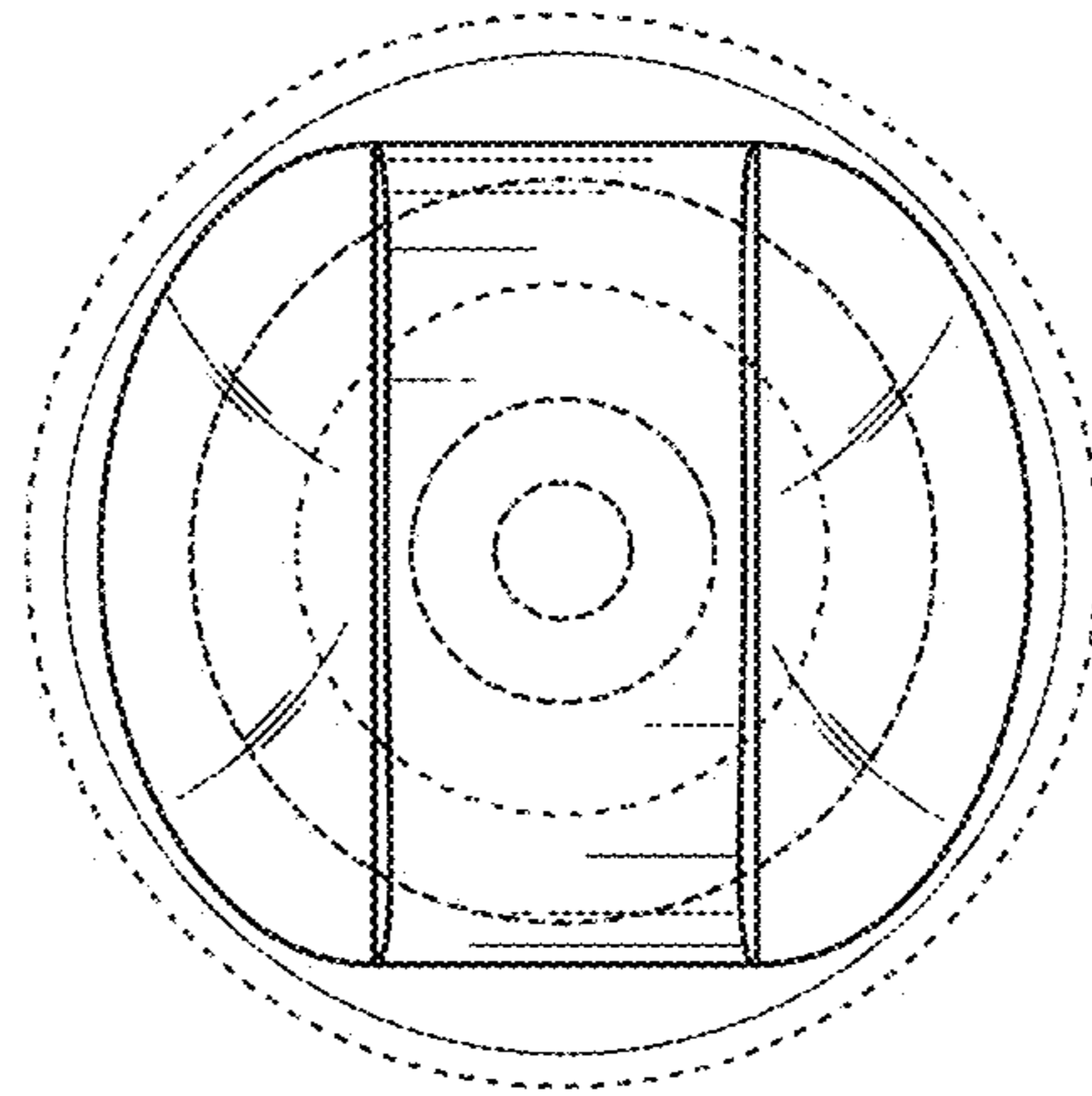


FIG. 7

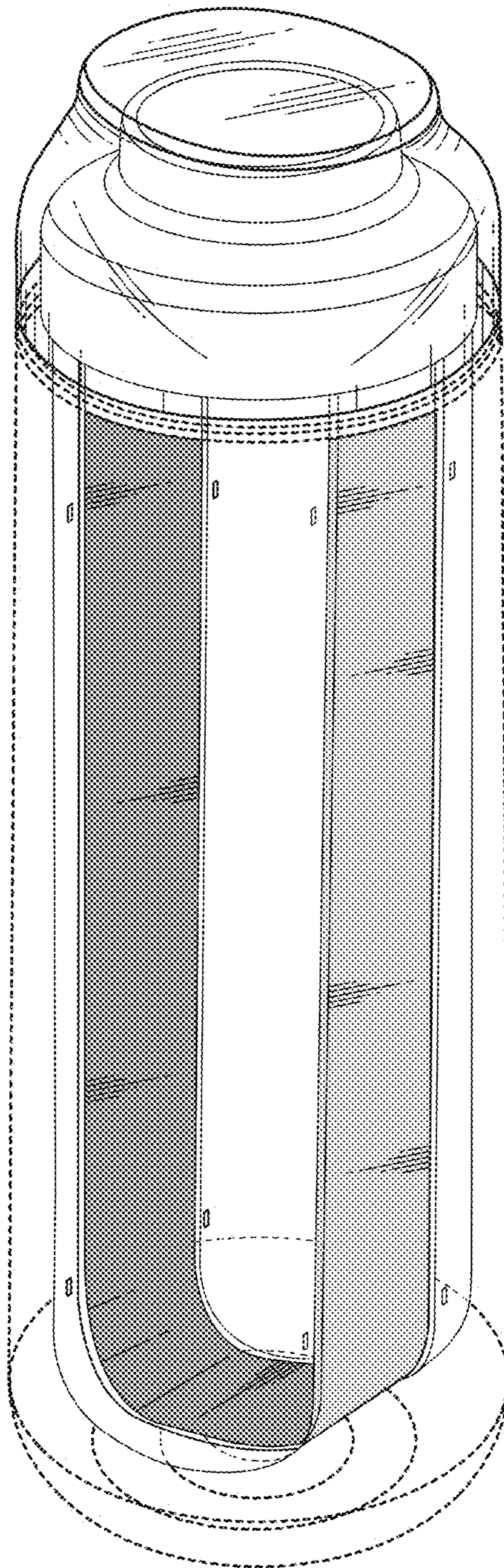


FIG. 8

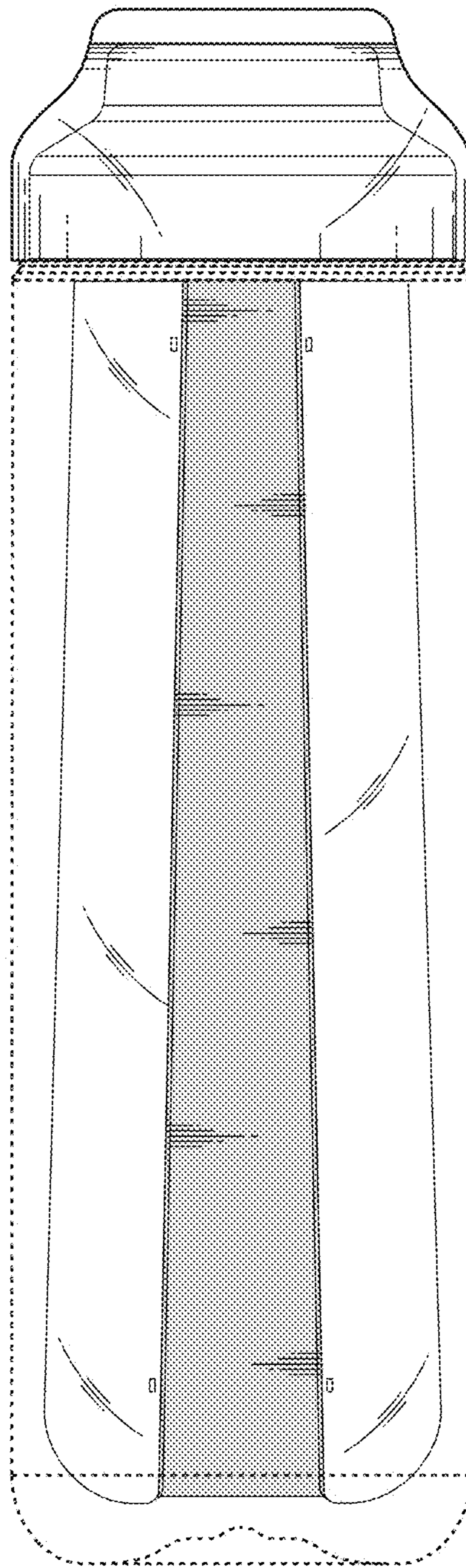


FIG. 9

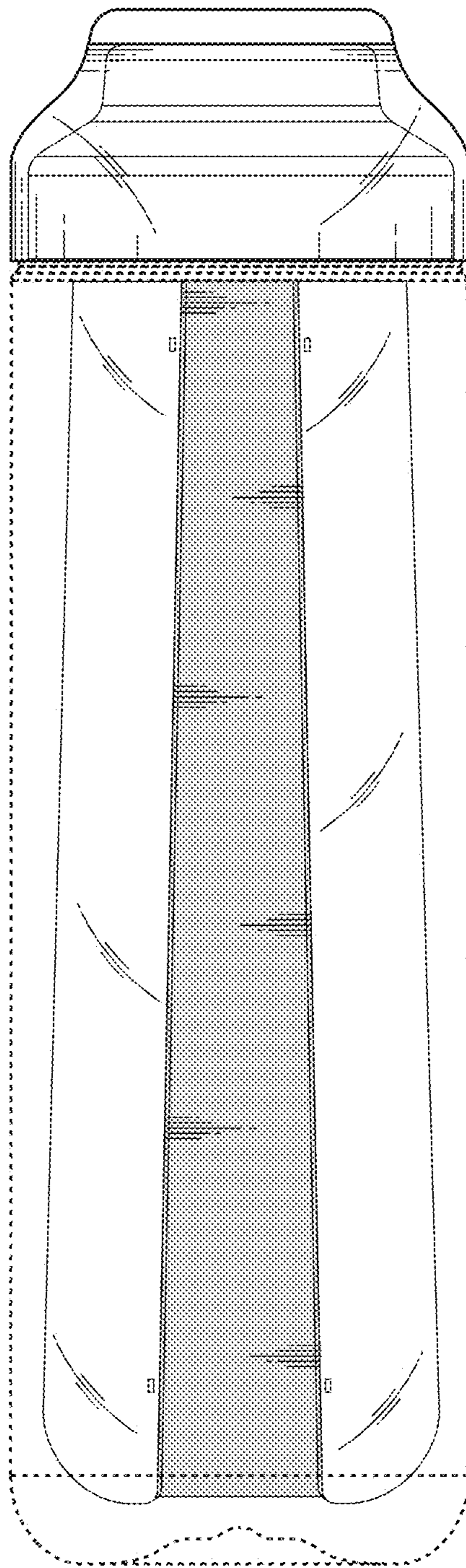


FIG. 10

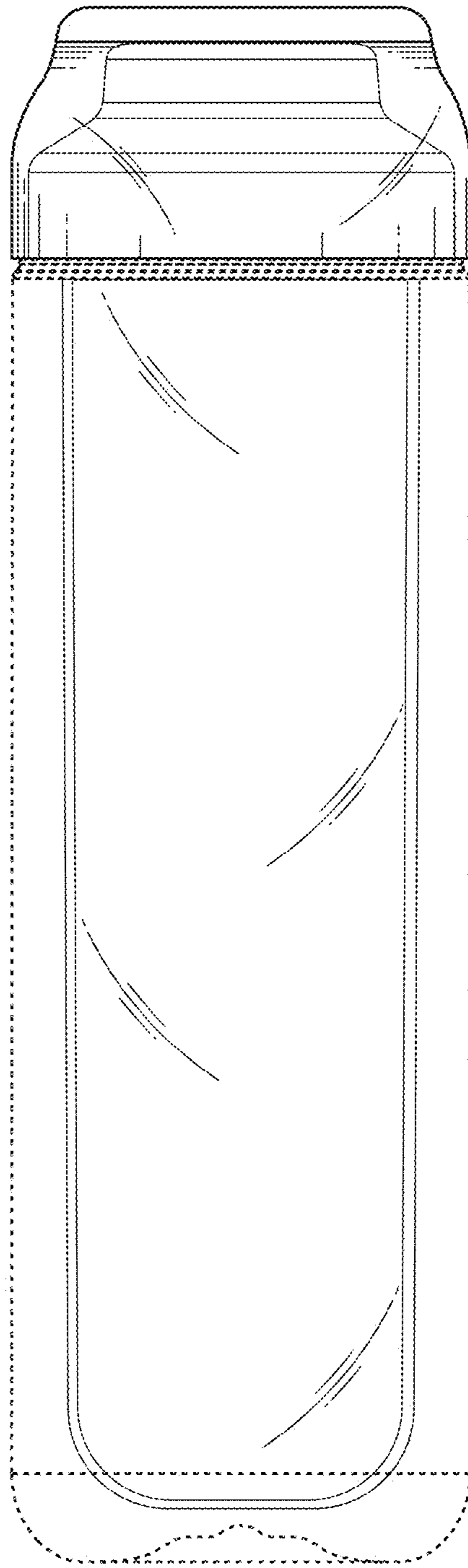


FIG. 11

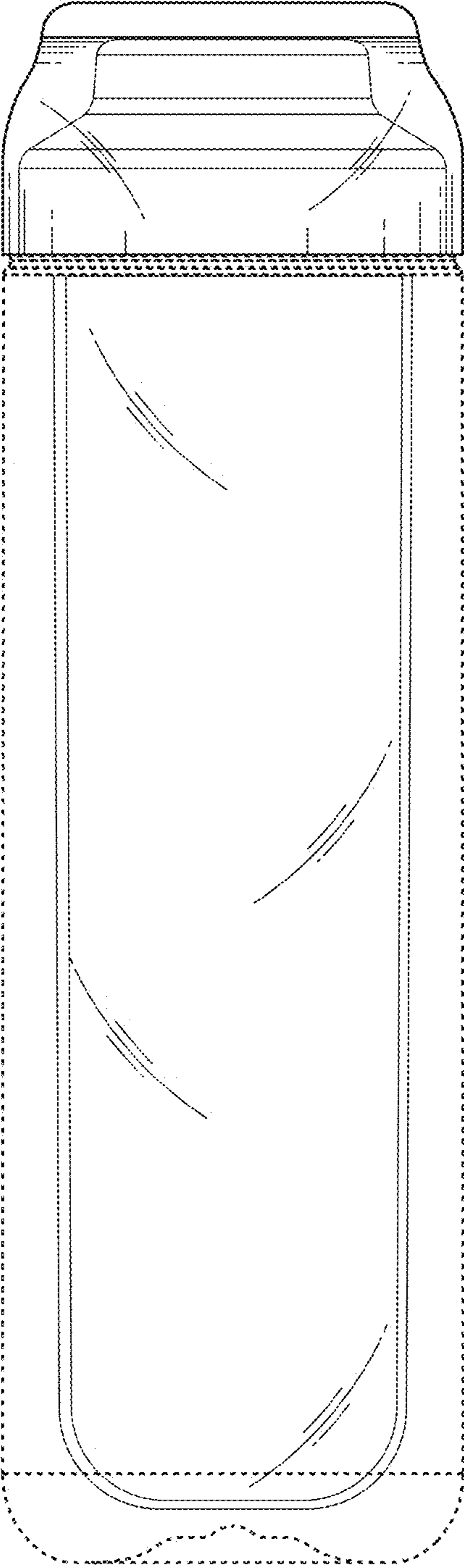


FIG. 12

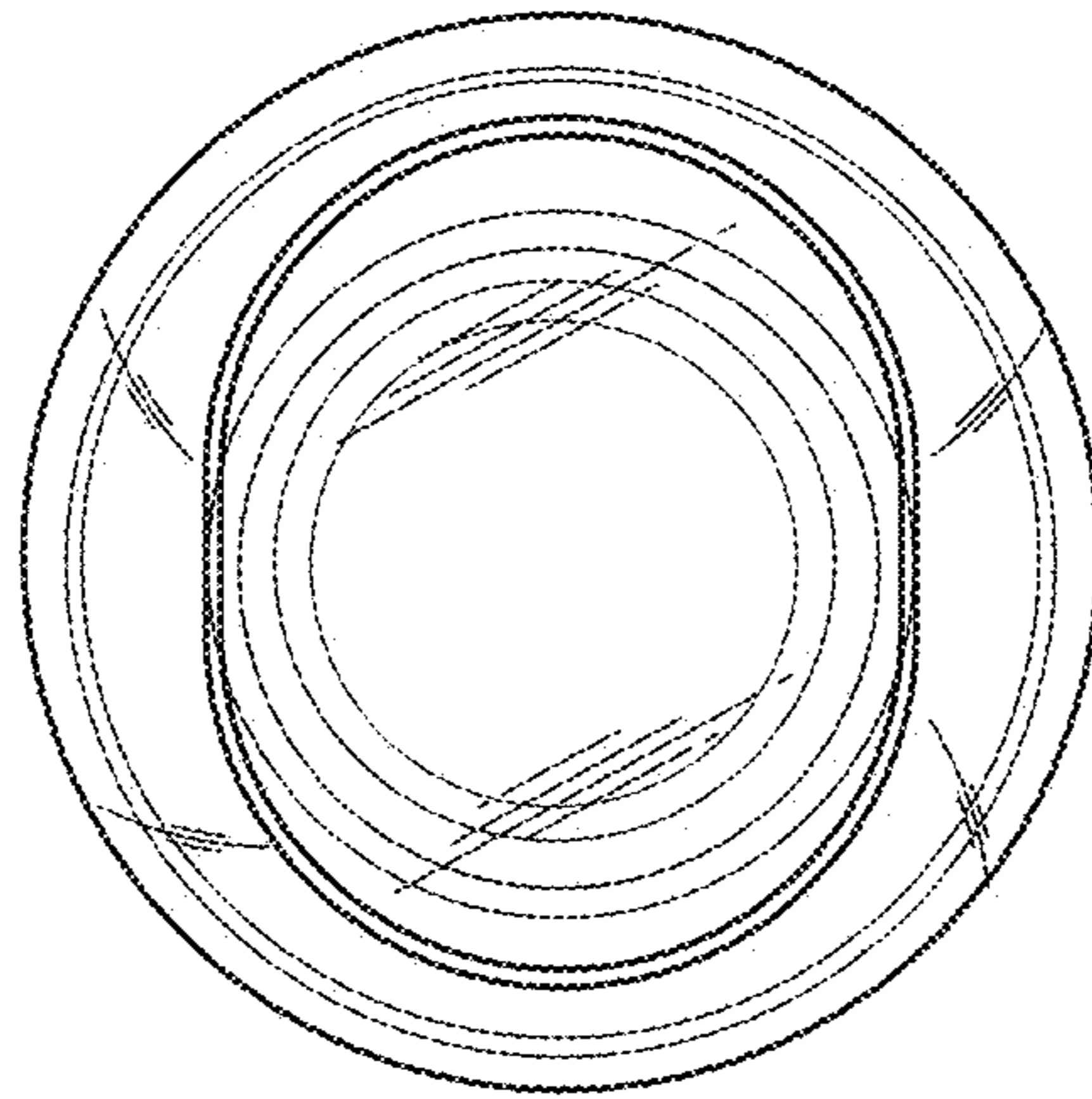


FIG. 13

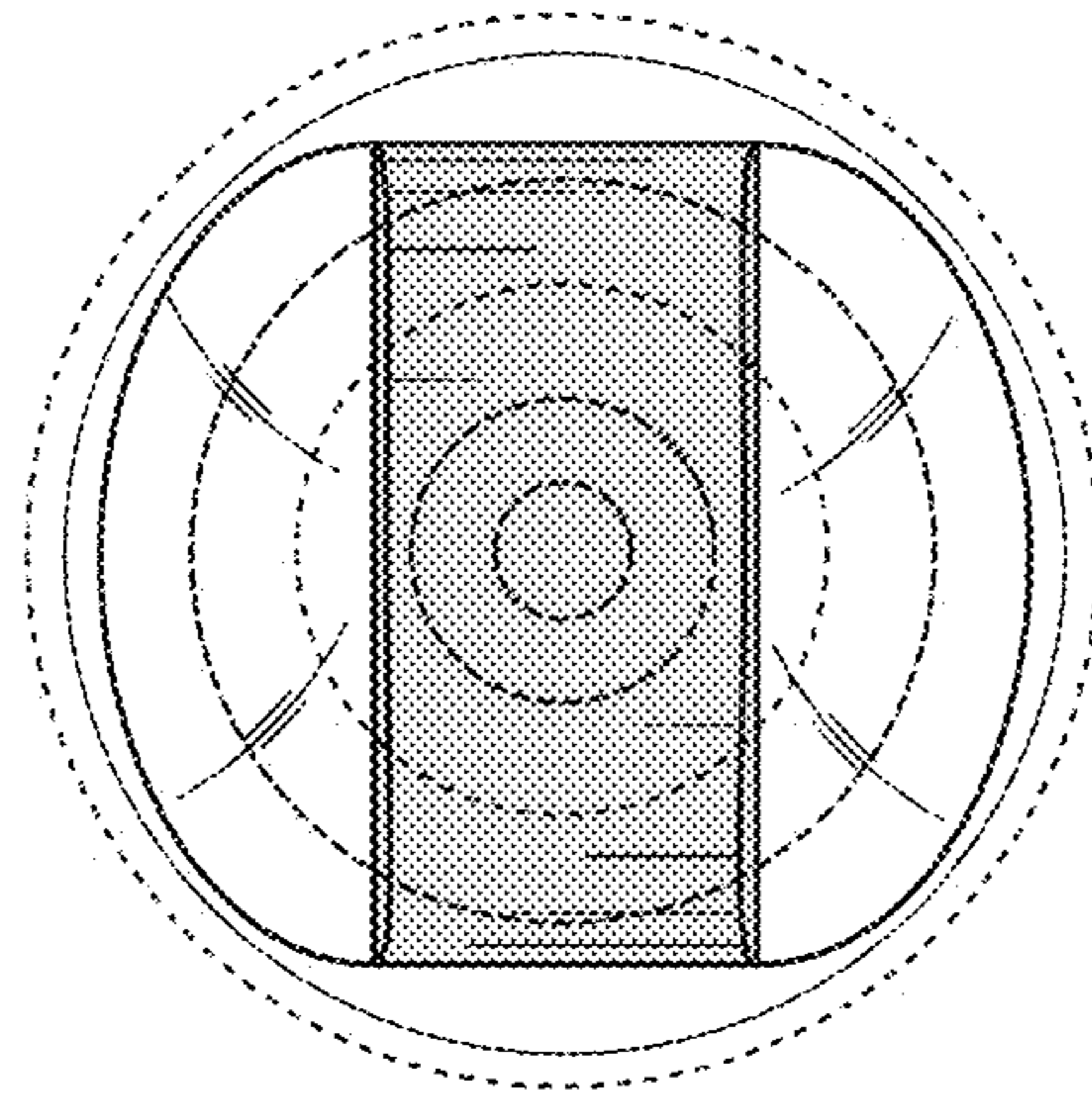


FIG. 14