



US00D903416S

(12) **United States Design Patent**  
**Seymour**

(10) **Patent No.:** **US D903,416 S**  
(45) **Date of Patent:** **\*\* Dec. 1, 2020**

- (54) **DEHYDRATOR TRAY LEVEL**
- (71) Applicant: **National Presto Industries, Inc.**, Eau Claire, WI (US)
- (72) Inventor: **Justun C. Seymour**, Eau Claire, WI (US)
- (73) Assignee: **National Presto Industries, Inc.**, Eau Claire, WI (US)
- (\*\*) Term: **15 Years**
- (21) Appl. No.: **29/682,136**
- (22) Filed: **Mar. 1, 2019**
- (51) **LOC (12) Cl.** ..... **07-02**
- (52) **U.S. Cl.**  
USPC ..... **D7/409**; D7/354; D7/359
- (58) **Field of Classification Search**  
USPC ..... D6/585; D7/323, 332, 335-337, D7/354-355, 359-364, 387-388, 391, D7/402, 407-409, 698; D32/57  
CPC .... A21B 2/00; A21B 3/00; A21B 3/13; A21B 3/15; A21B 5/00; A21B 5/02; A23B 7/0205; A23N 12/06; A23N 12/08; A23N 12/10; A47J 37/00; A47J 37/04; A47J 37/041; A47J 37/042; A47J 37/06; A47J 37/0688; A47J 37/0694; A47J 37/07; A47J 37/0704; A47J 37/10; A47J 43/24; A47J 47/20; A47J 2037/00; A47J 2037/06; A47J 2037/0611; A47J 2037/07; A47J 2037/0786; A47J 2037/0795; F24C 15/10; F24C 15/12; F24C 15/14; F24C 15/16; F24C 15/164; F24C 15/18; F26B 3/04  
  
See application file for complete search history.

- (56) **References Cited**  
U.S. PATENT DOCUMENTS  
  
1,413,908 A 4/1922 Green  
4,036,562 A 7/1977 Barnes

- 4,190,965 A 3/1980 Erickson
  - 4,236,063 A 11/1980 Glucksman
  - D261,142 S 10/1981 Erickson et al.
  - 4,380,127 A 4/1983 Roberts
  - 4,457,432 A 7/1984 Solheim
  - 4,536,643 A 8/1985 Erickson
  - 5,215,004 A 6/1993 Su
  - 5,235,906 A 8/1993 Hsu
  - 5,261,168 A 11/1993 Li
  - 5,311,673 A 5/1994 Su
  - 5,379,527 A 1/1995 Su
  - 5,420,393 A 5/1995 Dornbush et al.
  - 5,423,249 A 6/1995 Meyer
  - 5,437,108 A 8/1995 Alseth
- (Continued)

Primary Examiner — Ricky Pham

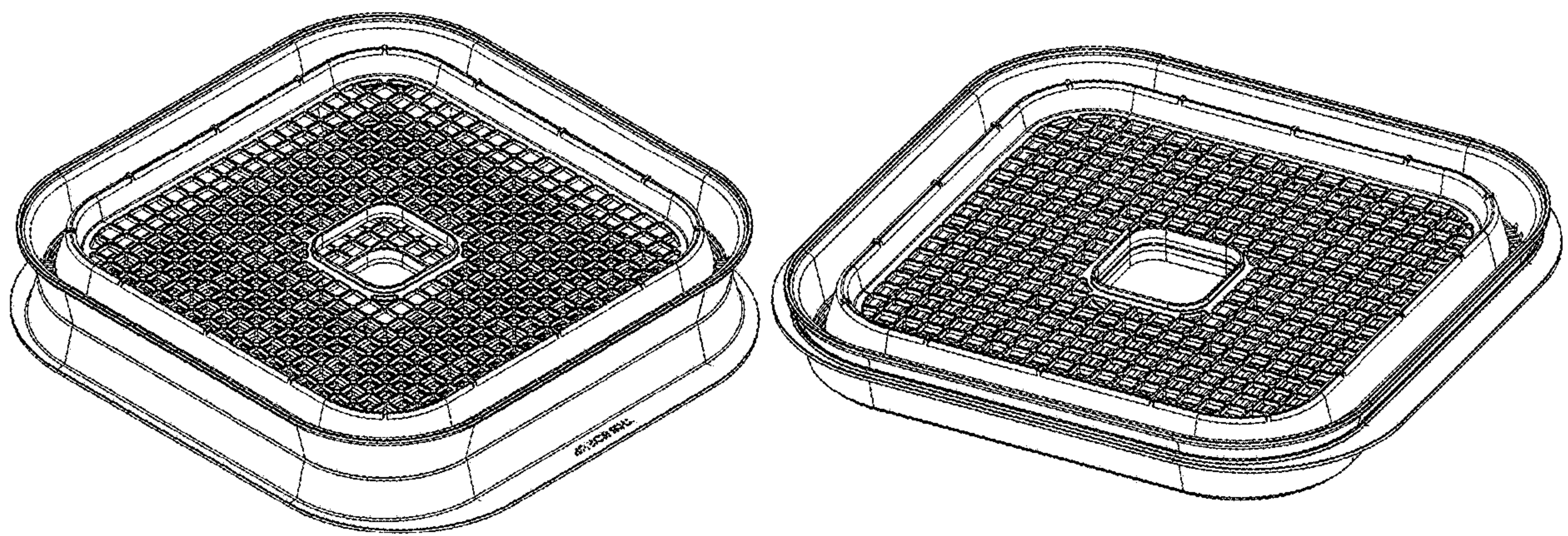
(57) **CLAIM**

I claim the ornamental design for dehydrator tray level, as shown and described.

**DESCRIPTION**

- FIG. 1 is a top view of a dehydrator tray level according to the present invention.
- FIG. 2 is a bottom view of the dehydrator tray level depicted in FIG. 1.
- FIG. 3 is a left side view of the dehydrator tray level depicted in FIG. 1.
- FIG. 4 is a right side view of the dehydrator tray level depicted in FIG. 1.
- FIG. 5 is a front view of the dehydrator tray level depicted in FIG. 1.
- FIG. 6 is a rear view of the dehydrator tray level depicted in FIG. 1.
- FIG. 7 is a front view of the dehydrator tray level in a nested configuration.
- FIG. 8 is a perspective, left side view of the dehydrator tray level depicted in FIG. 1; and,
- FIG. 9 is a perspective, left side view of the dehydrator tray level in a nested configuration depicted in FIG. 7.

**1 Claim, 9 Drawing Sheets**







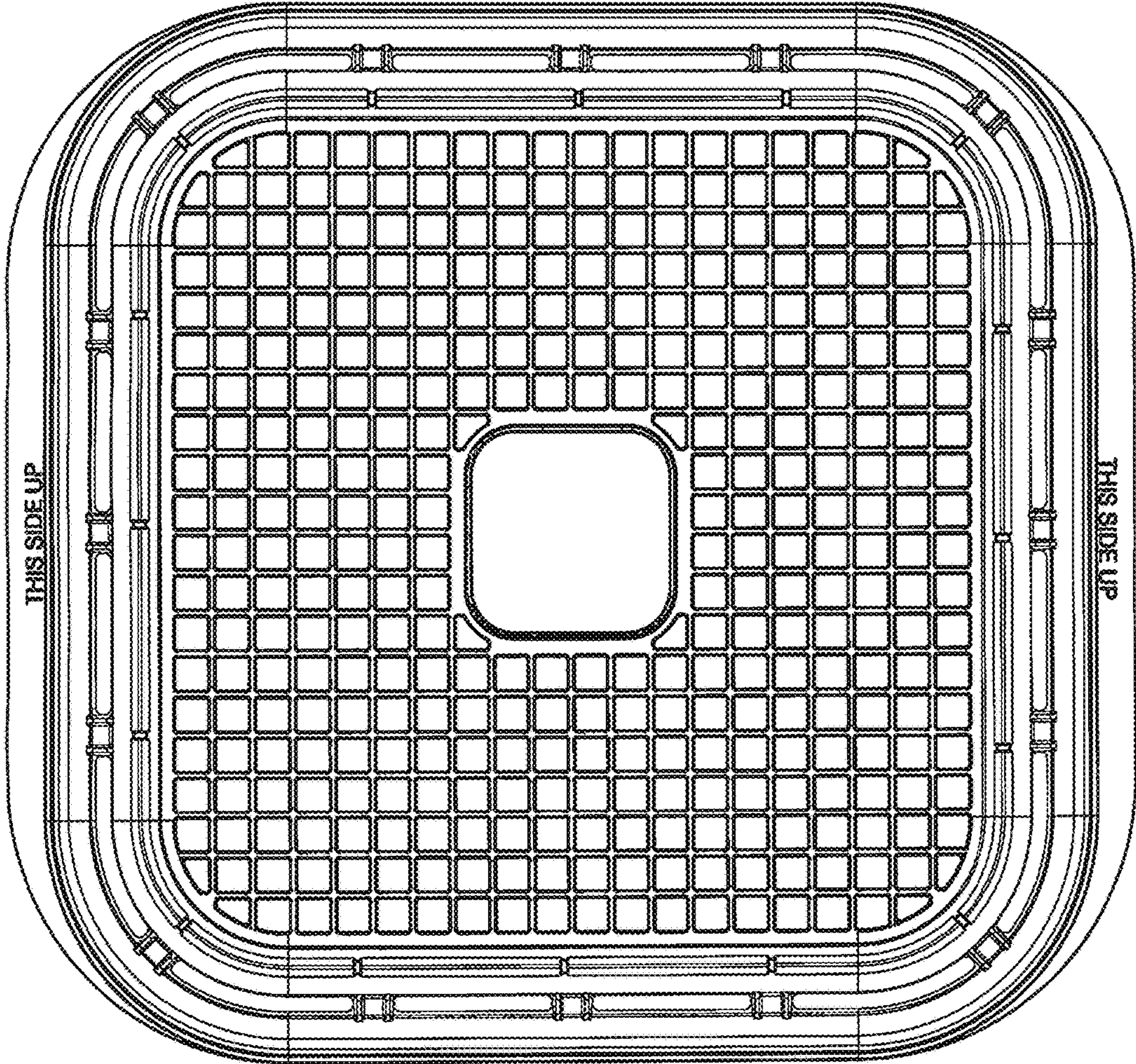


Fig. 1



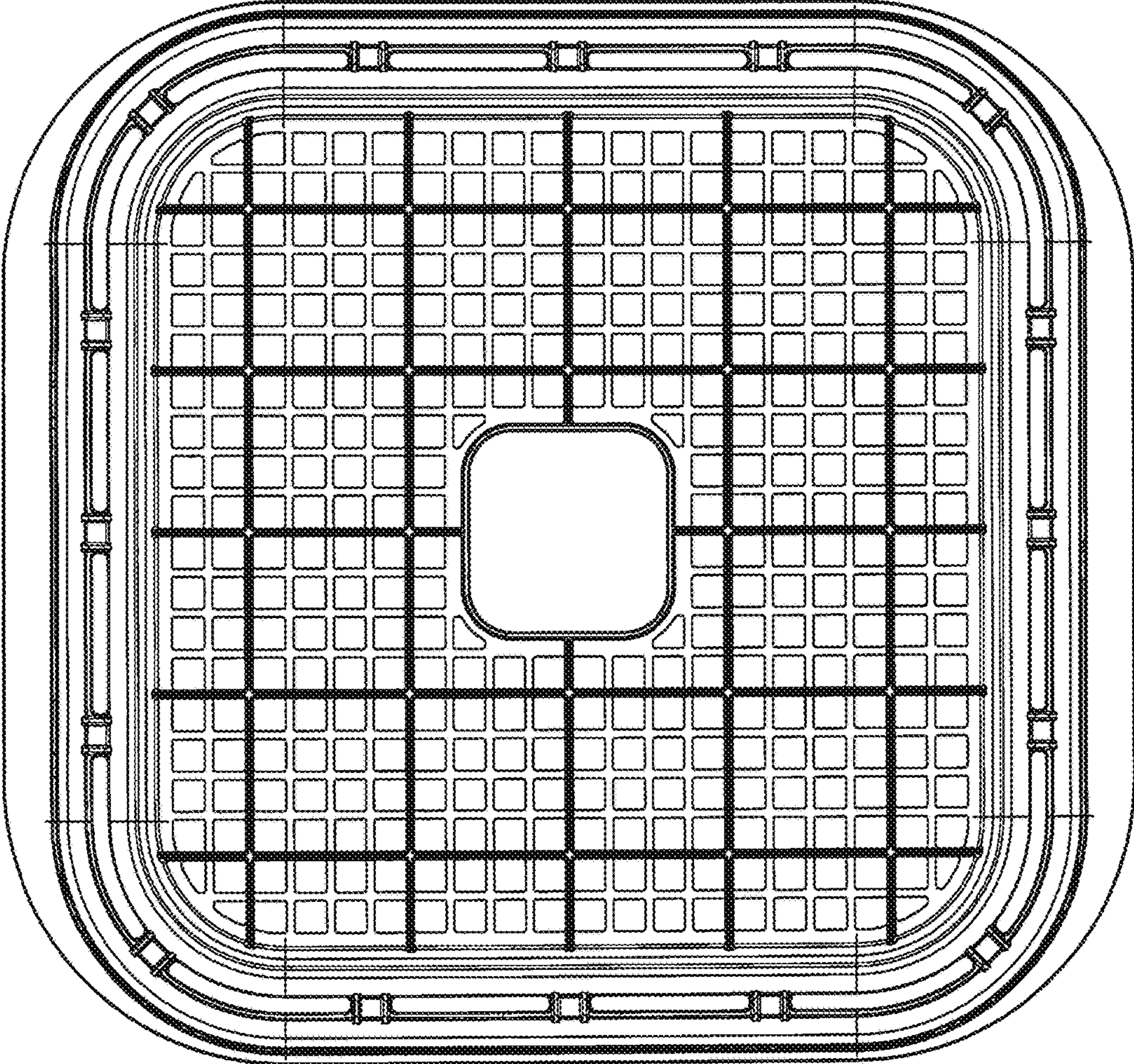


Fig. 2



Fig. 3

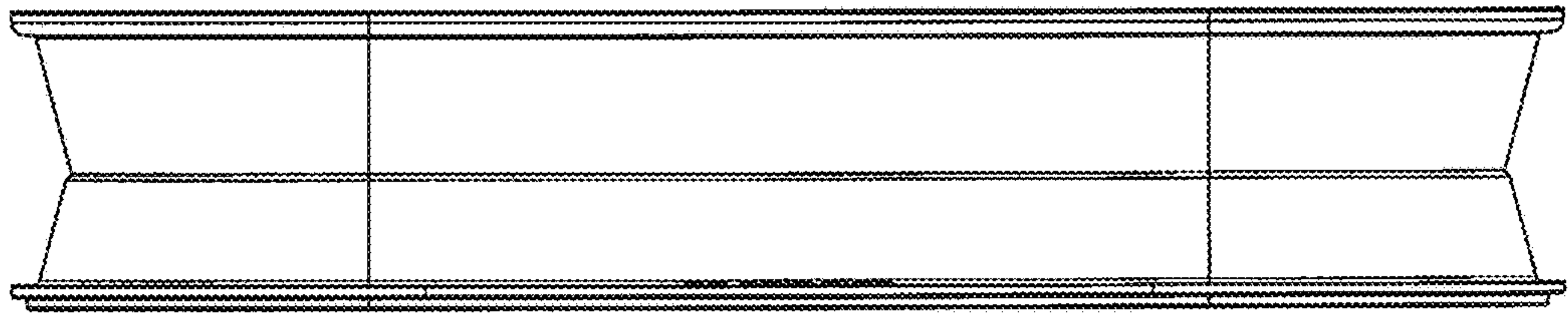


Fig. 4

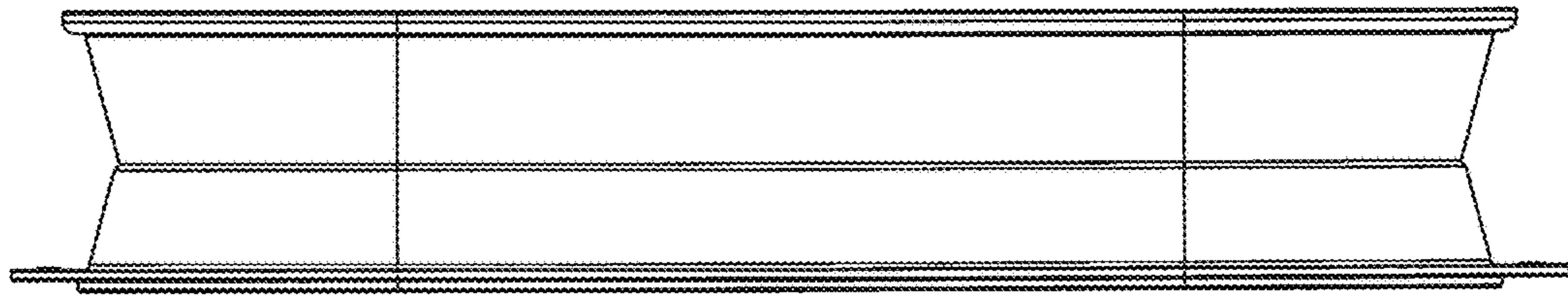


Fig. 5

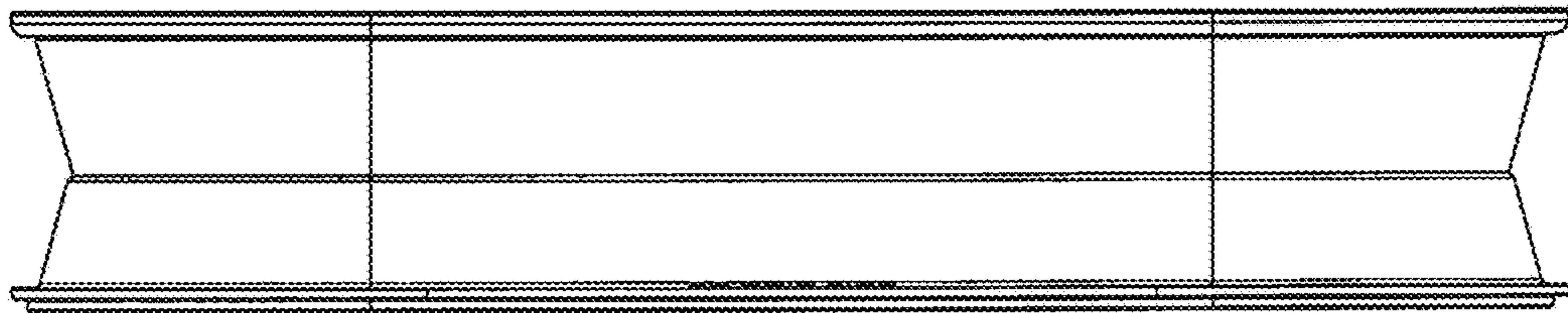


Fig. 6



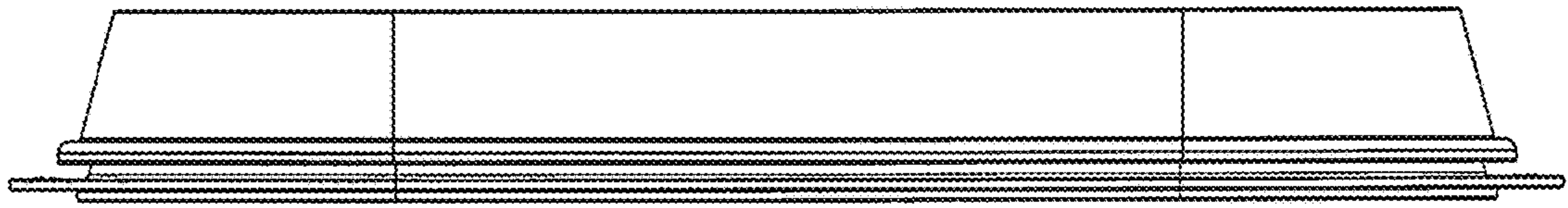


Fig. 7

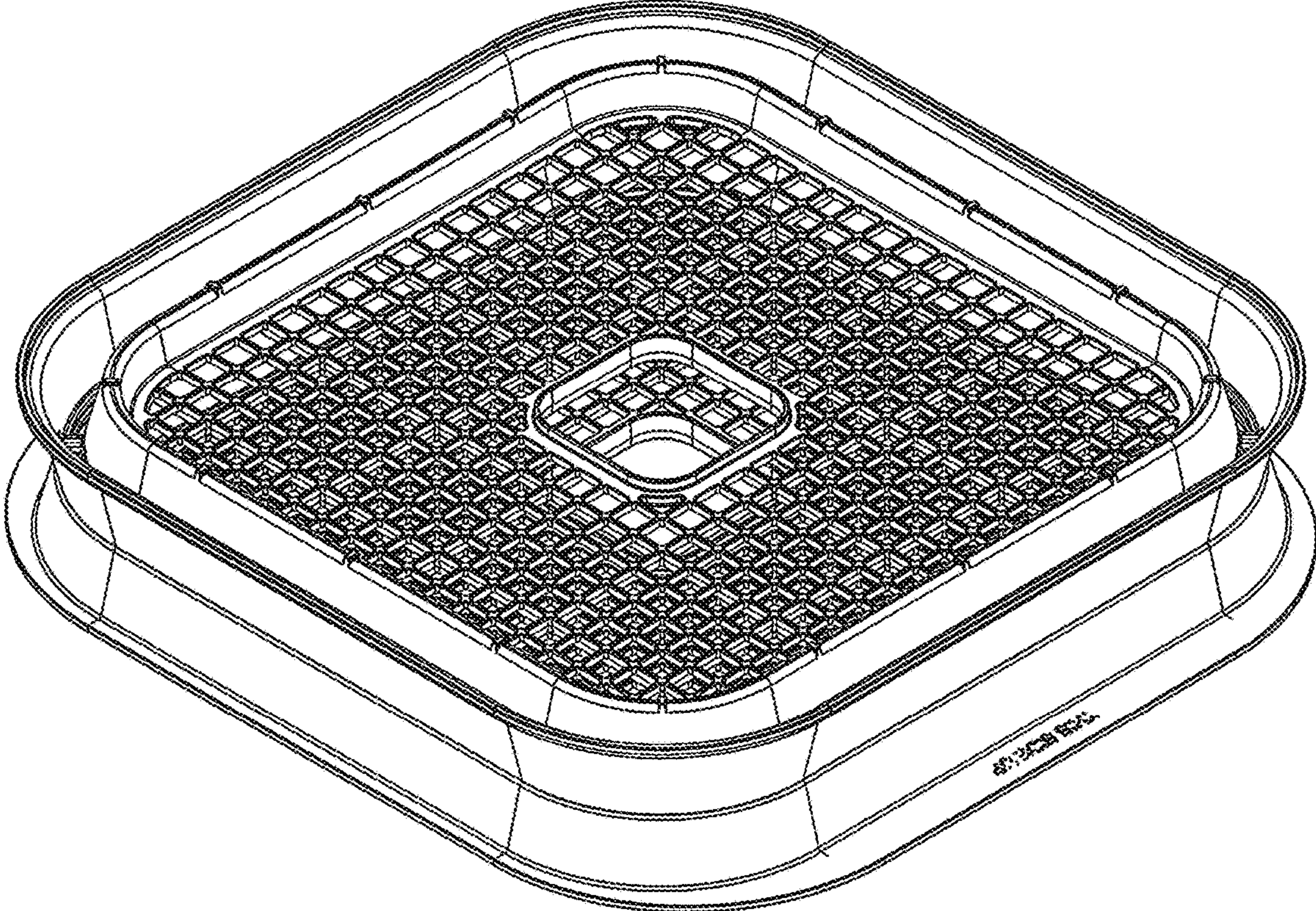


Fig. 8



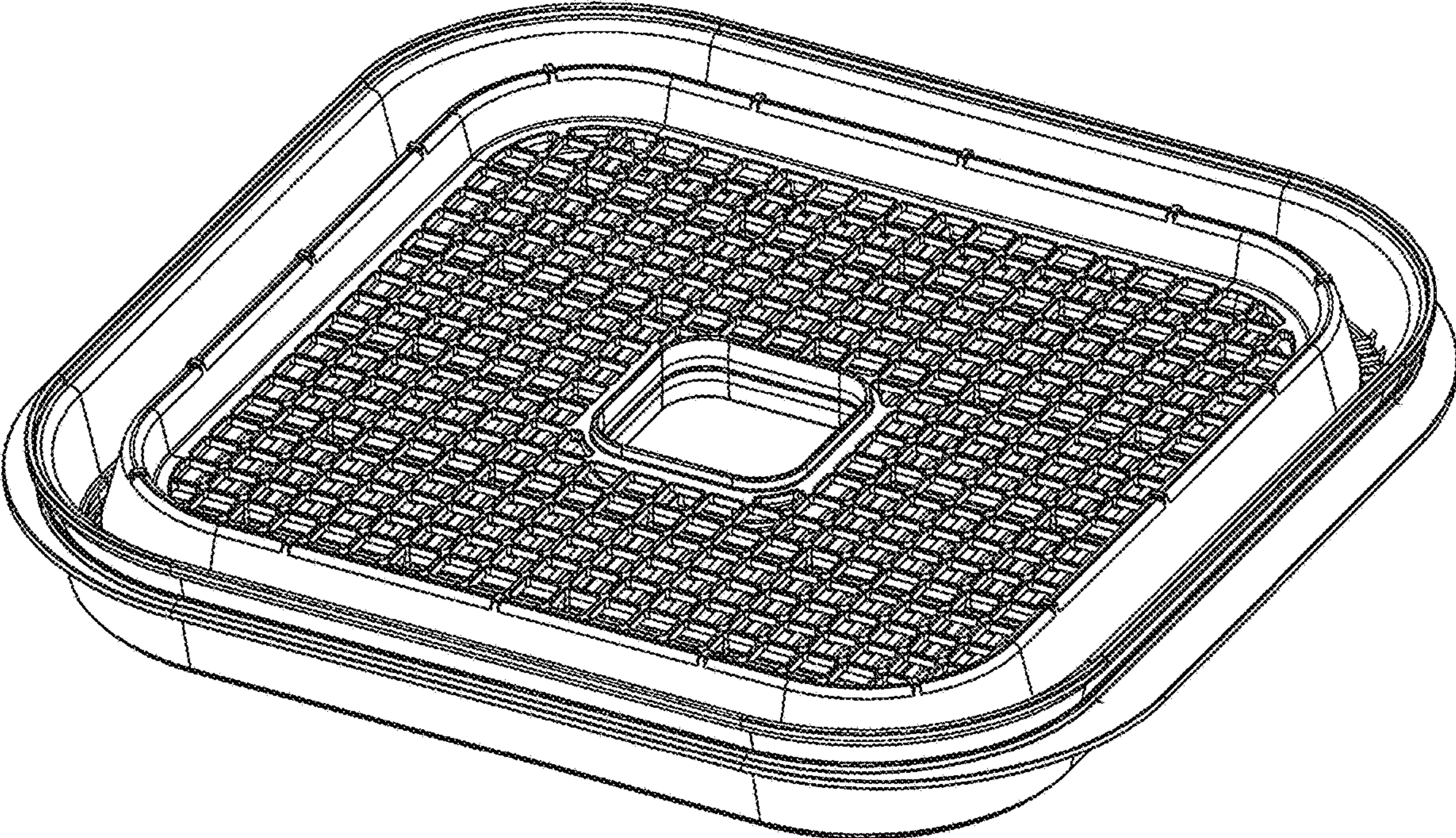


Fig. 9