



US00D903411S

(12) **United States Design Patent** (10) **Patent No.:** **US D903,411 S**
Srour (45) **Date of Patent:** **** Dec. 1, 2020**

(54) **TABLE KNIFE**
(71) Applicant: **Ghassan Srour**, Wichita, KS (US)
(72) Inventor: **Ghassan Srour**, Wichita, KS (US)
(**) Term: **15 Years**
(21) Appl. No.: **29/704,625**
(22) Filed: **Sep. 5, 2019**
(51) **LOC (12) Cl.** **07-03**
(52) **U.S. Cl.**
USPC **D7/401.2; D7/649; D7/653**
(58) **Field of Classification Search**
USPC D7/368, 401.2, 642-645, 653-664, 669,
D7/675-677, 683, 688-689, 691;
D8/107, 300-301; D14/225;
D22/117-118; D28/48
CPC ... A01D 9/02; A01D 9/04; A01D 9/06; A47G
21/00; A47G 21/004; A47G 21/005;
A47G 21/02; A47G 21/023; A47G 21/04;
A47G 21/06; A47G 21/08; A47J 43/28;
A47J 43/281; A47J 43/282; A61F 13/10;
A61J 7/0023; B25G 1/00; B25G 1/01;
B25G 1/02; B25G 3/00; B65D 75/56;
B65D 75/563; B65D 75/566; B67B 7/00;
B67B 7/724; B67B 7/73
See application file for complete search history.

(56) **References Cited**
U.S. PATENT DOCUMENTS
854,745 A * 5/1907 King A47G 21/02
30/150
D150,323 S * 7/1948 Greco D7/653

2,722,153 A * 11/1955 Greco A47G 21/02
84/375
D345,677 S * 4/1994 Snodgrass D7/645
D415,928 S * 11/1999 Kaposi D7/401.2
D471,066 S * 3/2003 Chen D7/662
D471,770 S * 3/2003 Teuber D7/645
D562,643 S * 2/2008 Morrison D7/642
D605,638 S * 12/2009 Vasilkov D14/225
D619,763 S * 7/2010 Coresh D28/48
D727,690 S * 4/2015 Wang D7/644
D727,691 S * 4/2015 Wang D7/644
D834,369 S * 11/2018 Gettig D7/401.2

* cited by examiner

Primary Examiner — Ricky Pham

(74) *Attorney, Agent, or Firm* — Kenneth H. Jack; Davis & Jack, L.L.C.

(57) **CLAIM**

The ornamental design for a table knife, as shown and described.

DESCRIPTION

FIG. 1 is a side view of the article in which the design is embodied.

FIG. 2 is a reverse side view of the article of FIG. 1.

FIG. 3 is a lower view of the article of FIG. 1.

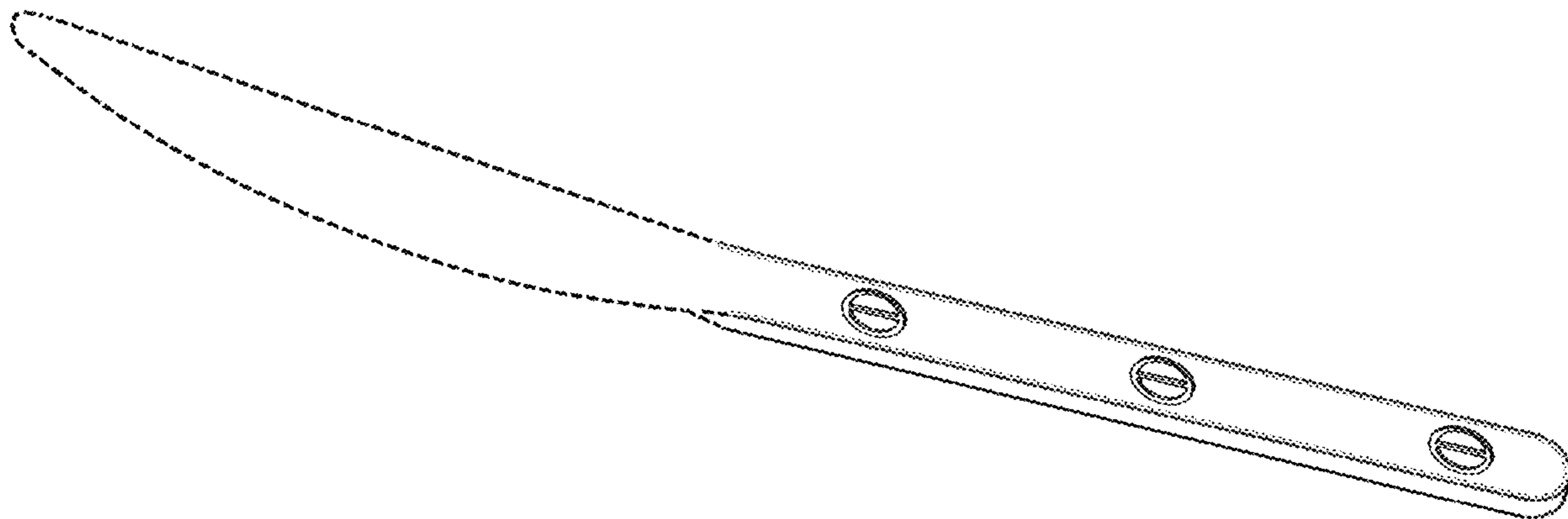
FIG. 4 is an upper view of the article of FIG. 1.

FIG. 5 is a perspective view of the article of FIG. 1; and,

FIG. 6 is a magnified view of a portion of the structure of FIG. 5.

Portions of the figures appearing in dashed lines form no part of the claimed design.

1 Claim, 6 Drawing Sheets



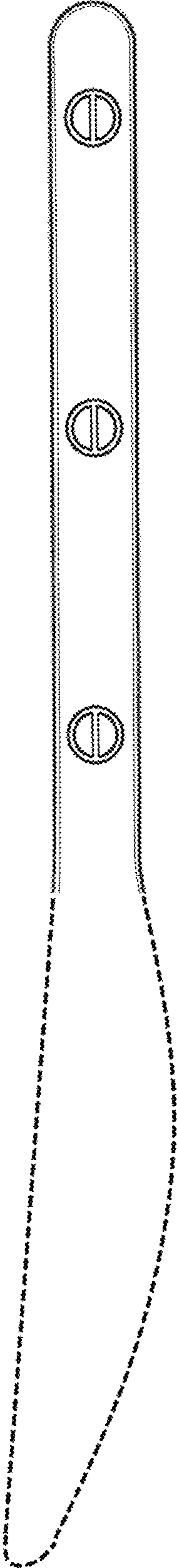


Fig. 1

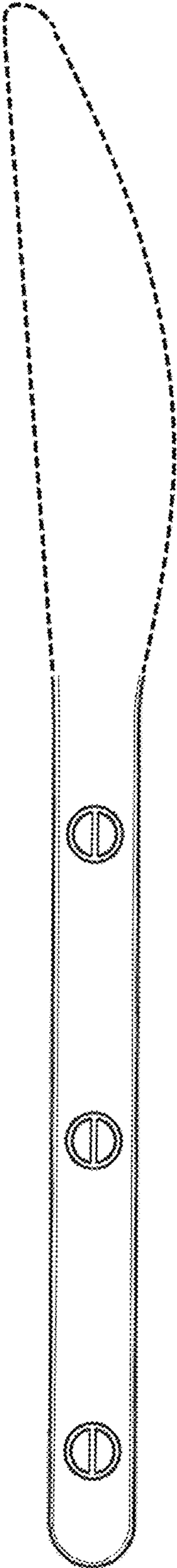


Fig. 2

Fig. 3

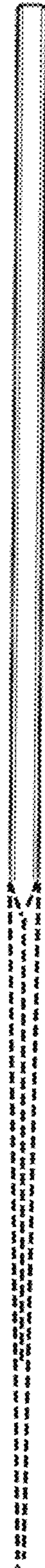
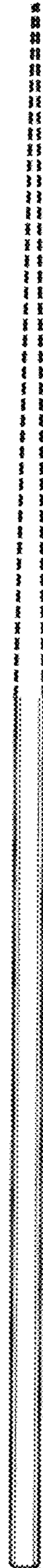


Fig. 4



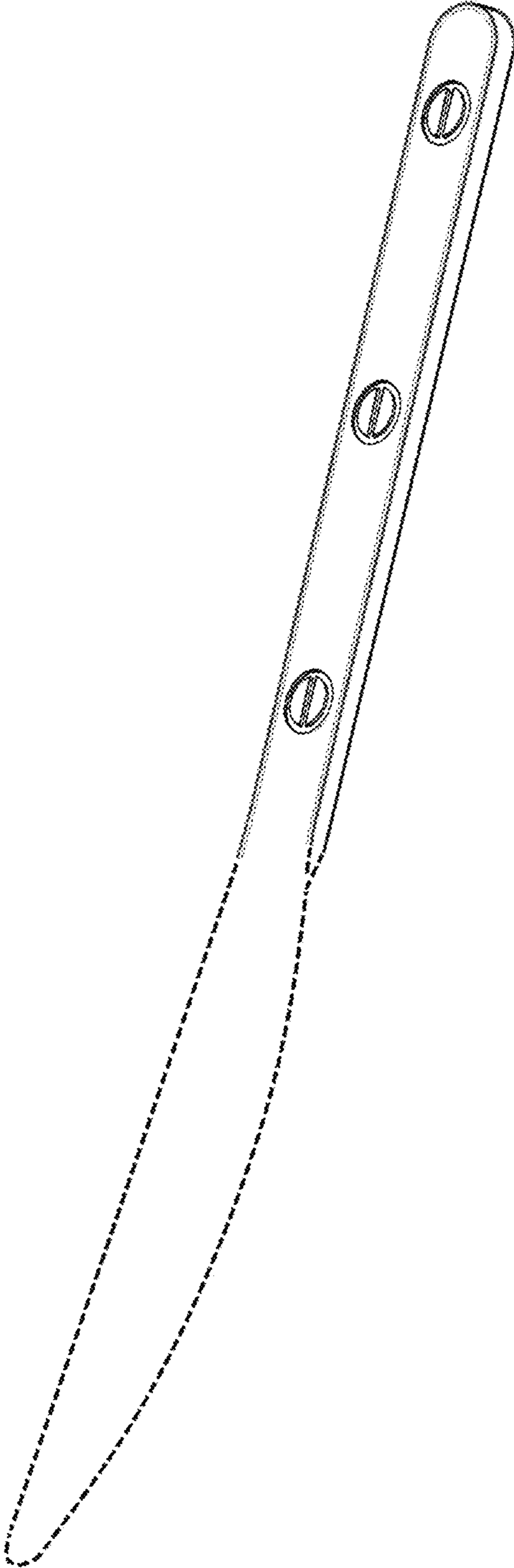


Fig. 5

Fig. 6

