



US00D903410S

(12) **United States Design Patent** (10) **Patent No.:** **US D903,410 S**  
**Silby** (45) **Date of Patent:** **\*\* Dec. 1, 2020**

(54) **FOOD CONTAINER HANDLE**  
(71) Applicant: **Pacific Market International, LLC**,  
Seattle, WA (US)  
(72) Inventor: **Jacob D. Silby**, Seattle, WA (US)  
(73) Assignee: **Pacific Market International, LLC**,  
Seattle, WA (US)  
(\*\*) Term: **15 Years**

D659,474 S 5/2012 Wahl et al.  
D681,392 S \* 5/2013 Dichraff ..... D7/393  
D697,783 S \* 1/2014 Chesner ..... D8/107  
8,727,176 B2 5/2014 El-Saden et al.  
8,844,762 B2 9/2014 Chiou et al.  
D721,540 S 1/2015 Grcic  
D752,917 S \* 4/2016 Ksiazek ..... D7/394  
D753,951 S \* 4/2016 Cornu ..... D7/316  
D758,793 S \* 6/2016 Ho ..... D7/392.1  
D779,273 S 2/2017 Lee et al.  
D808,219 S 1/2018 Heiberger et al.  
(Continued)

(21) Appl. No.: **29/723,405**  
(22) Filed: **Feb. 6, 2020**

**OTHER PUBLICATIONS**

Beckman, Michael Carl, "Combined Beverage and Food Container," U.S. Appl. No. 29/569,055, filed Jun. 23, 2016.  
(Continued)

**Related U.S. Application Data**

(62) Division of application No. 29/630,636, filed on Dec. 21, 2017, now Pat. No. Des. 880,256.  
(51) **LOC (12) Cl.** ..... **07-99**  
(52) **U.S. Cl.**  
USPC ..... **D7/393; D7/629**  
(58) **Field of Classification Search**  
USPC ..... D7/509, 510, 511, 300.1, 591, 392.1,  
D7/393, 394, 396.2, 529, 533-536, 543,  
D7/600, 602, 605, 705, 619.1, 622;  
D9/530, 531, 534, 434, 443  
CPC ..... A47G 19/22; A45F 3/16; B65D 41/04;  
B65D 43/02  
See application file for complete search history.

*Primary Examiner* — Susan E Krakower  
*Assistant Examiner* — Andrew Kerr  
(74) *Attorney, Agent, or Firm* — Davis Wright Tremaine  
LLP; George C. Rondeau, Jr.

(57) **CLAIM**

The ornamental design for a food container handle, as shown and described.

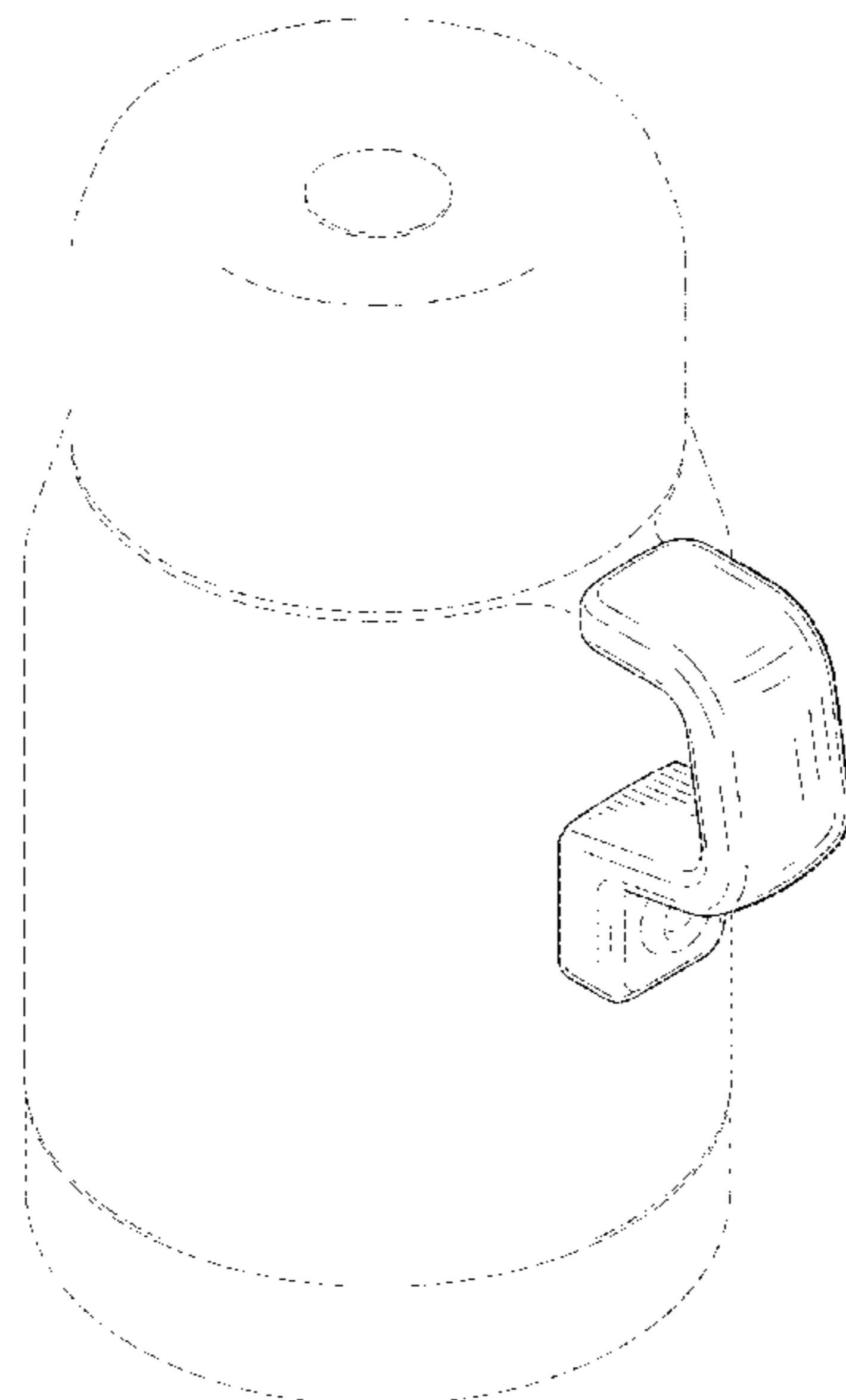
**DESCRIPTION**

FIG. 1 is a top perspective view of food container handle showing my new design.  
FIG. 2 is a bottom perspective view thereof.  
FIG. 3 is a left side elevational view thereof.  
FIG. 4 is a rear elevational view thereof.  
FIG. 5 is a front elevational view thereof.  
FIG. 6 is a right side elevational view thereof.  
FIG. 7 is a top plan view thereof; and,  
FIG. 8 is a bottom plan view thereof.  
The broken lines in the drawings depict portions of the food container handle that form no part of the claimed design.

(56) **References Cited**  
U.S. PATENT DOCUMENTS

D557,994 S 12/2007 Wahl  
D592,012 S 5/2009 Carreno  
D615,817 S 5/2010 George  
D618,508 S 6/2010 George et al.  
D629,645 S \* 12/2010 Chin ..... D7/392.1  
D650,232 S 12/2011 Gilbert  
D656,361 S 3/2012 Gilbert

**1 Claim, 7 Drawing Sheets**



(56)

**References Cited**

U.S. PATENT DOCUMENTS

|              |      |         |                |                         |
|--------------|------|---------|----------------|-------------------------|
| D808,221     | S    | 1/2018  | George et al.  |                         |
| D808,735     | S    | 1/2018  | Beckman        |                         |
| D811,161     | S *  | 2/2018  | Boroski .....  | D7/394                  |
| D817,087     | S *  | 5/2018  | Silsby .....   | D7/396.2                |
| 10,023,366   | B2   | 7/2018  | Gilbert et al. |                         |
| D825,257     | S *  | 8/2018  | Jacobsen ..... | D7/393                  |
| D862,158     | S *  | 10/2019 | Silsby .....   | D7/394                  |
| D866,251     | S *  | 11/2019 | Silsby .....   | D7/394                  |
| D867,075     | S *  | 11/2019 | Johnson .....  | D7/622                  |
| 2008/0101056 | A1 * | 5/2008  | Bhavnani ..... | A47G 19/2227<br>362/101 |
| 2015/0108152 | A1 * | 4/2015  | Franzen .....  | B65D 25/2817<br>220/758 |

OTHER PUBLICATIONS

Choltco-Devlin et al., Evan Michael, "Beverage Container With Handle," U.S. Appl. No. 15/170,796, filed Jun. 1, 2016.

Silsby, Jacob D., "Beverage Container," U.S. Appl. No. 29/611,368, filed Jul. 20, 2017.

Silsby, Jacob D., "Beverage Container," U.S. Appl. No. 29/611,371, filed Jul. 20, 2017.

Silsby, Jacob D., "Beverage Container," U.S. Appl. No. 29/611,373, filed Jul. 20, 2017.

Stanley Master Series Vacuum Food Jar 24OZ, 1 page, Stanley product publicly disclosed prior to Dec. 21, 2017.

\* cited by examiner

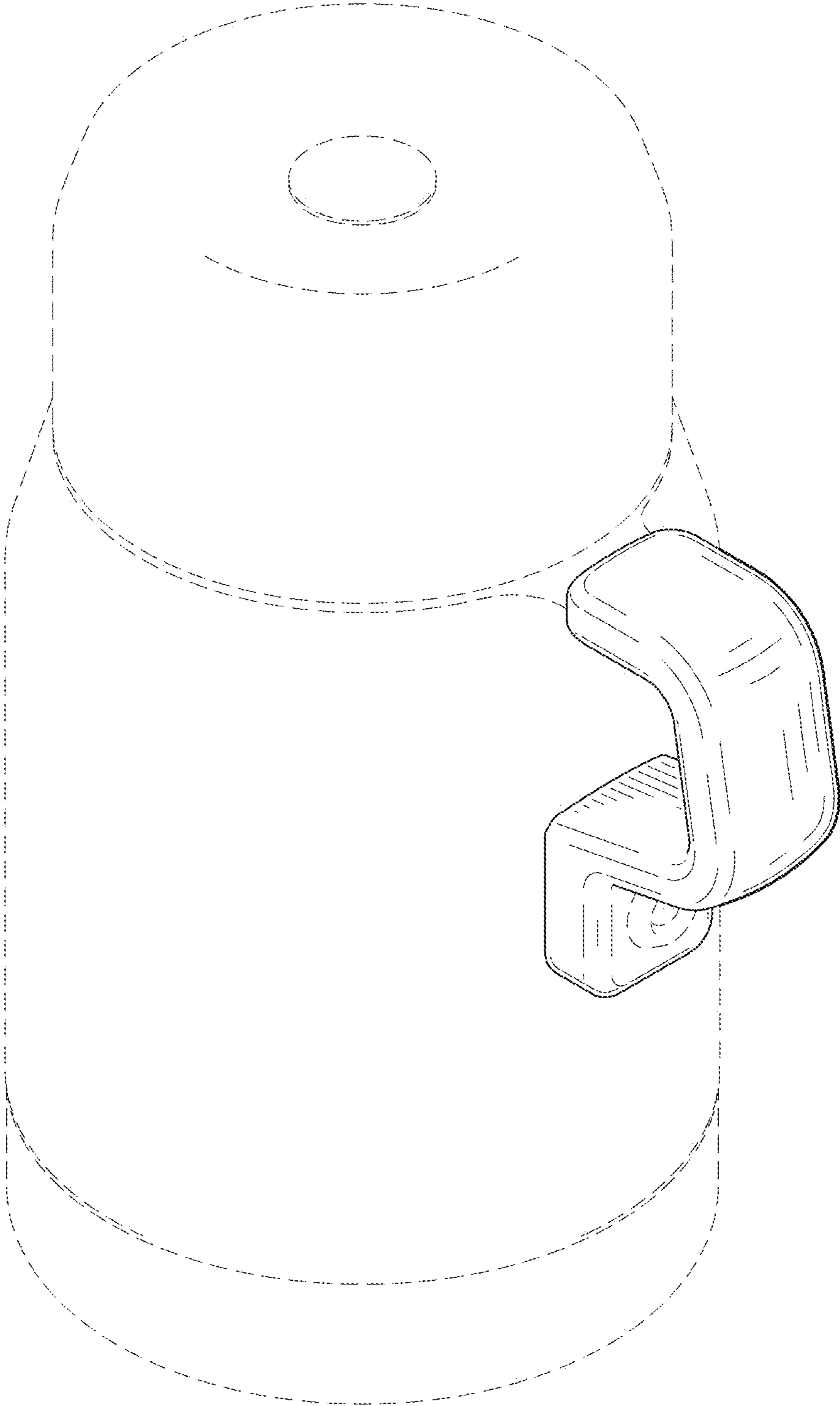


FIG. 1

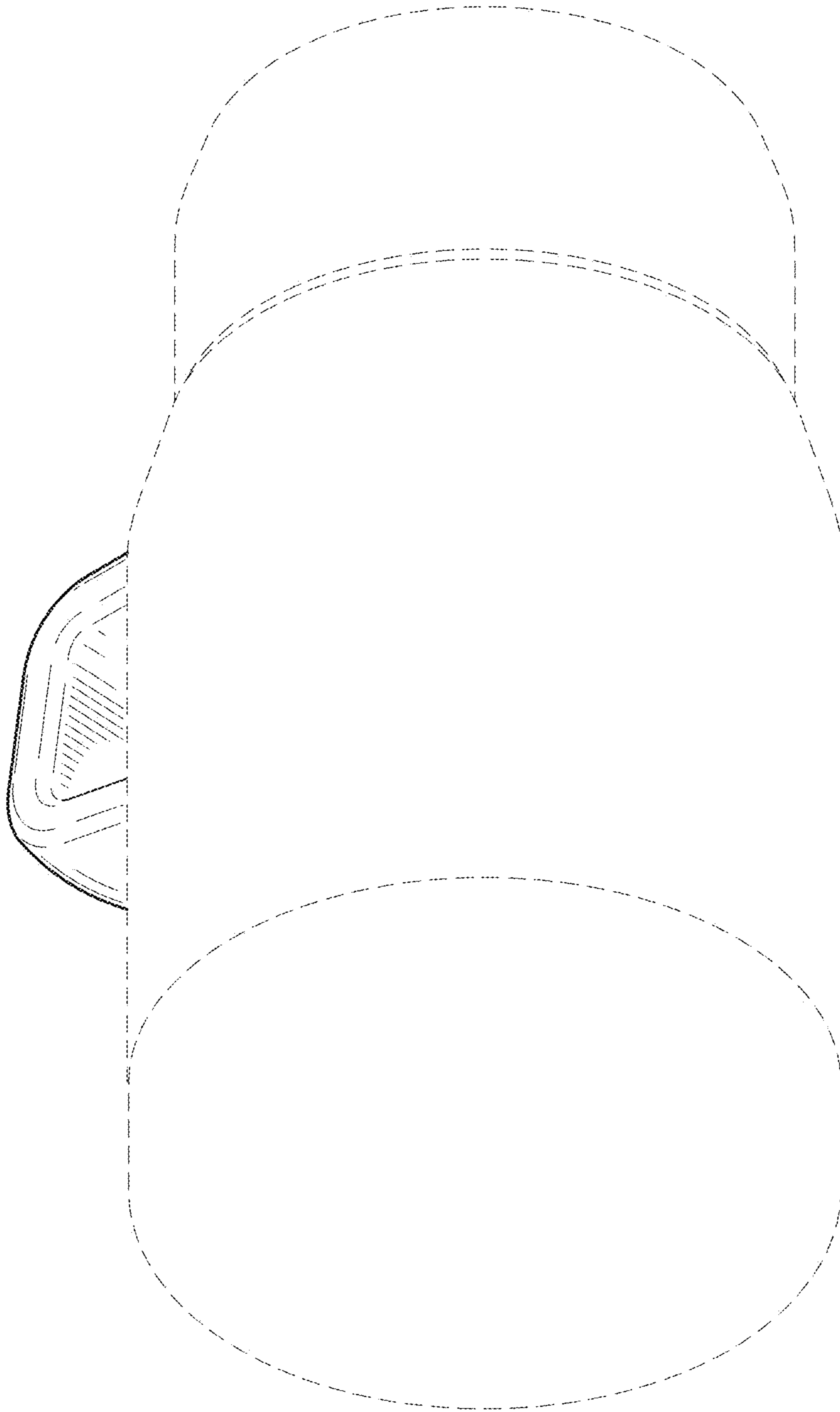


FIG. 2

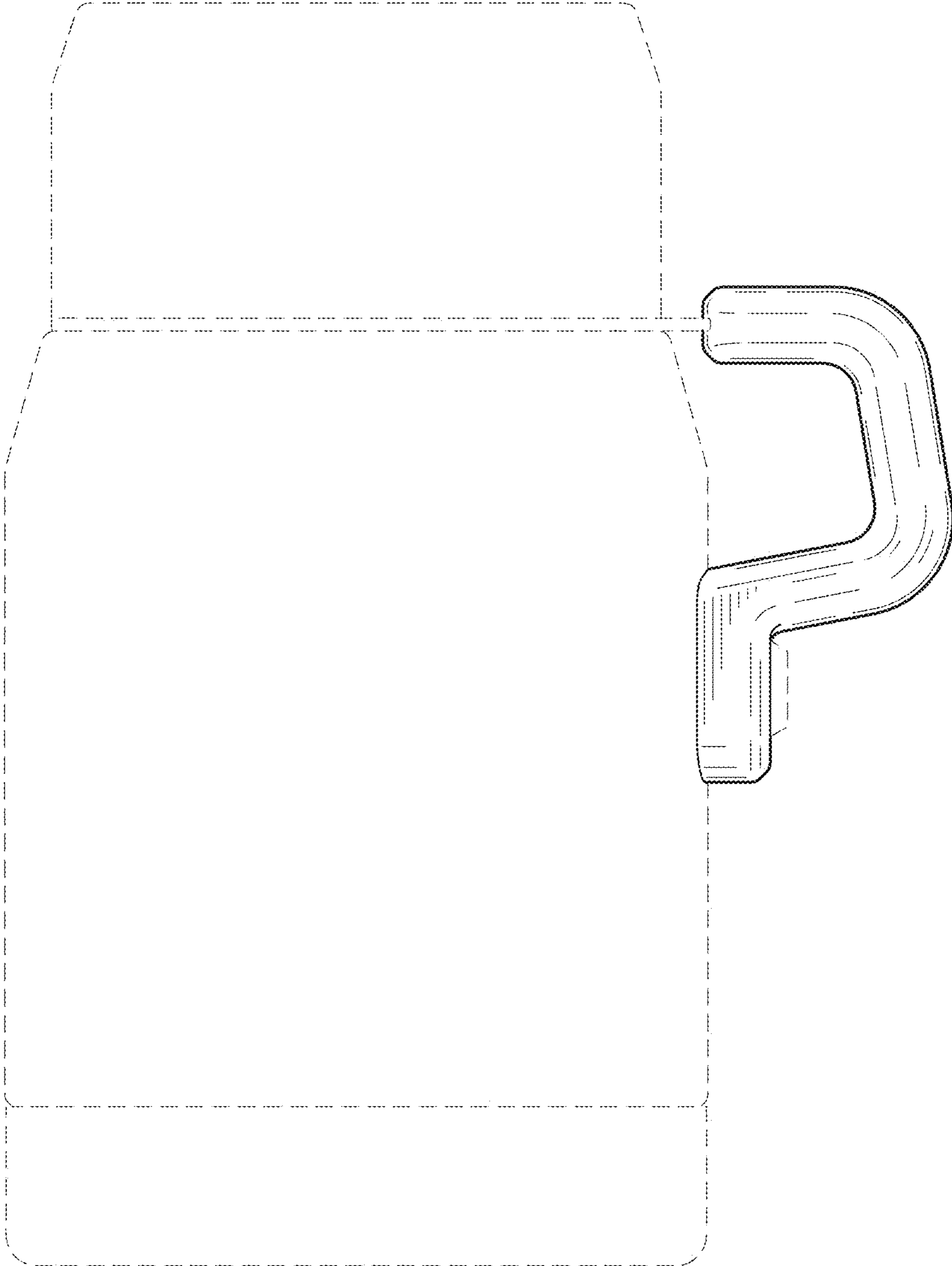


FIG. 3

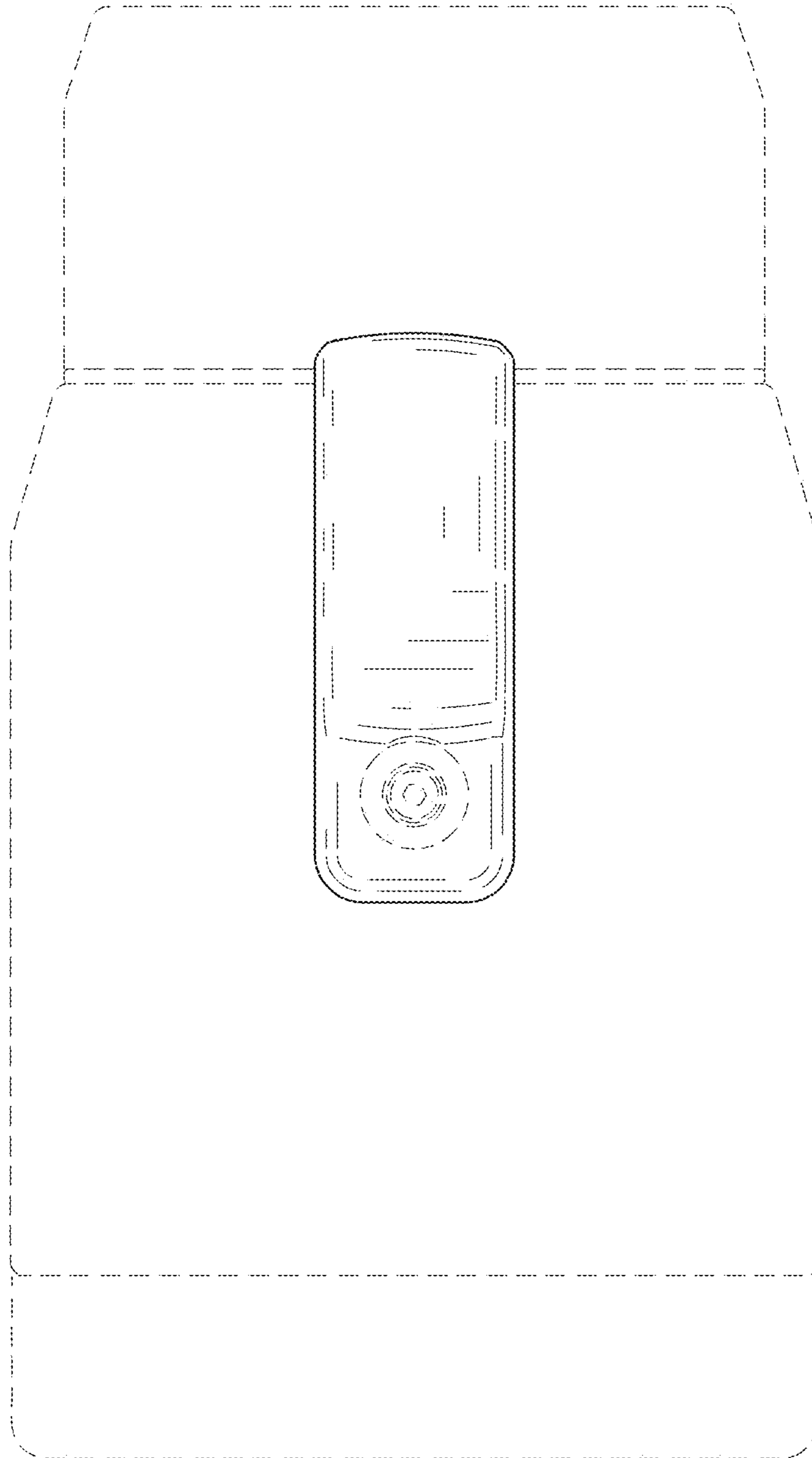


FIG. 4

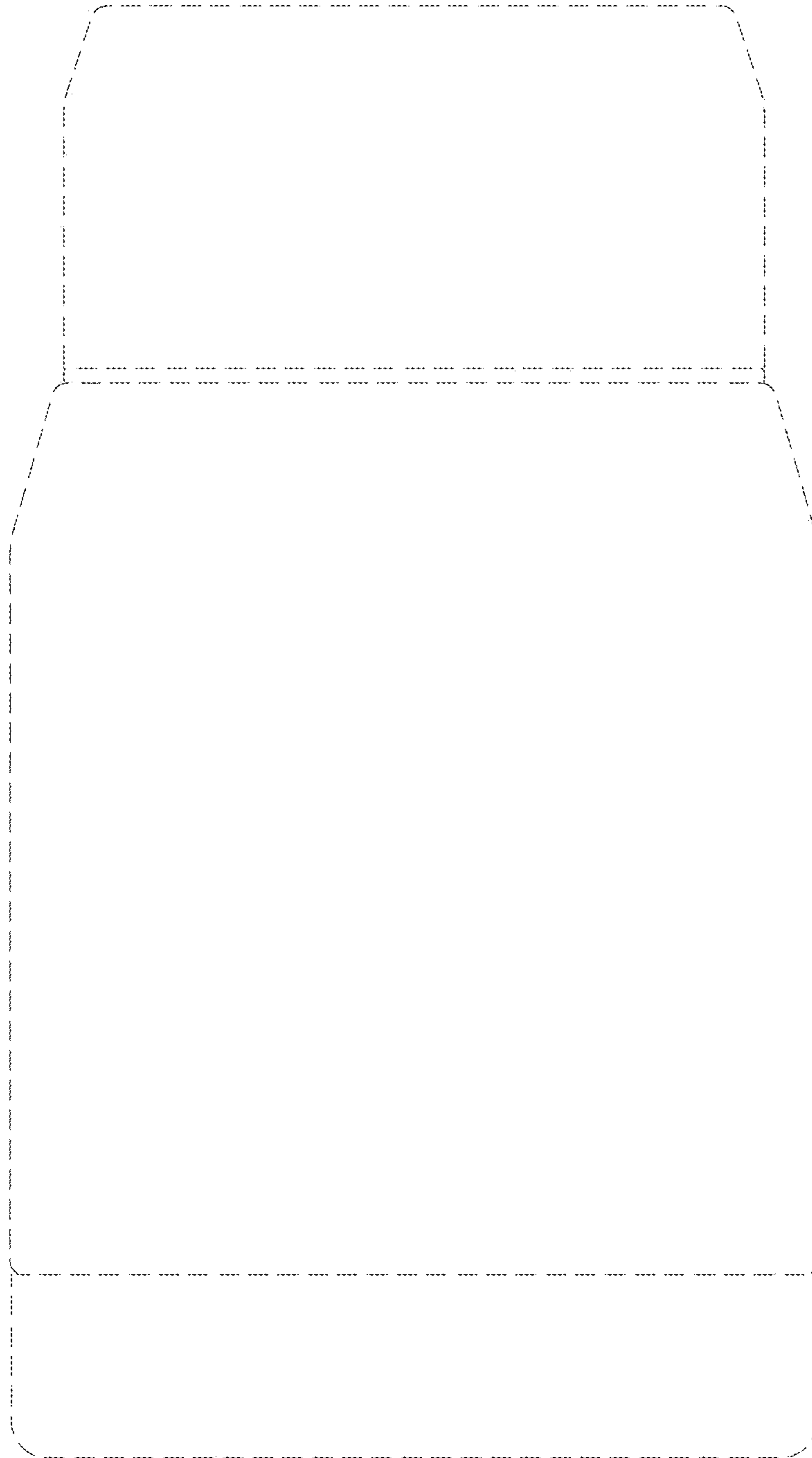


FIG. 5

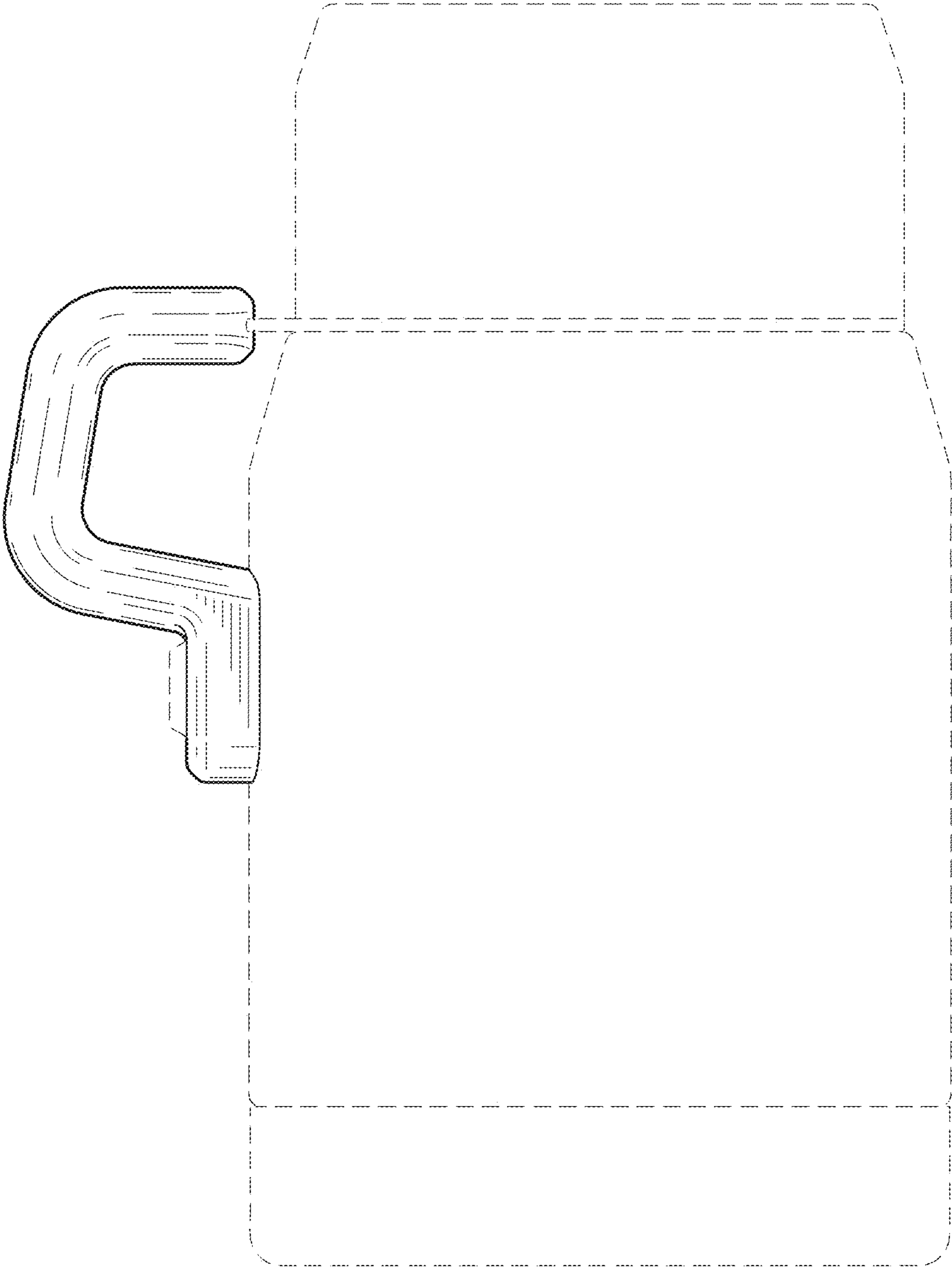


FIG. 6



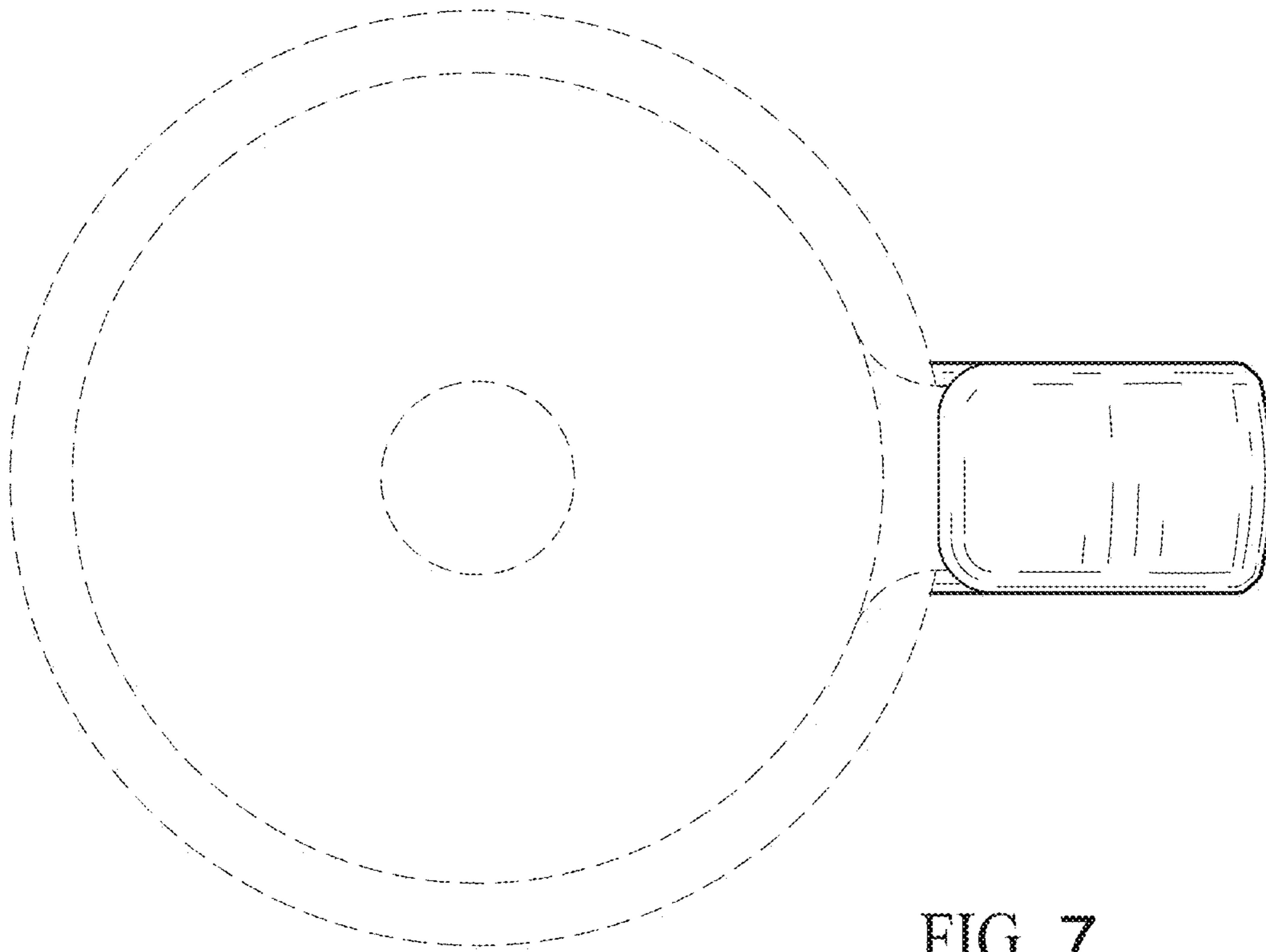


FIG. 7

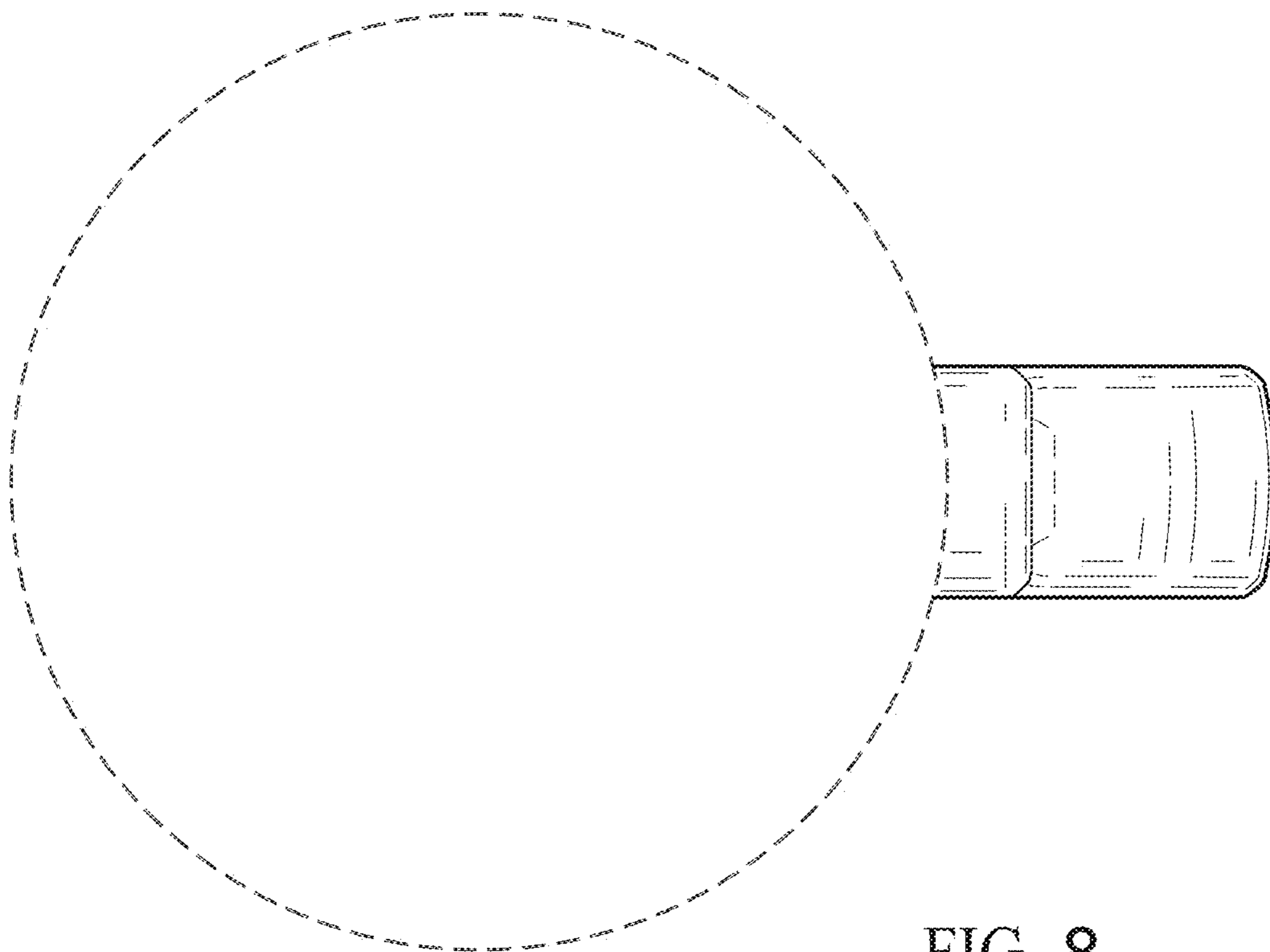


FIG. 8