



US00D903409S

(12) **United States Design Patent**  
**Yeung**

(10) **Patent No.:** **US D903,409 S**  
(45) **Date of Patent:** **\*\* Dec. 1, 2020**

(54) **CUP COVER**

- (71) Applicant: **Elephant Cuppa Enterprise Ltd.**,  
Taipei (TW)
- (72) Inventor: **Michael Yiu Hong Yeung**, Taipei (TW)
- (73) Assignee: **Elephant Cuppa Enterprise Ltd.**,  
Taipei (TW)
- (\*\*) Term: **15 Years**
- (21) Appl. No.: **29/706,415**
- (22) Filed: **Sep. 20, 2019**

(30) **Foreign Application Priority Data**

Mar. 22, 2019 (TW) ..... 108301640

(51) **LOC (12) Cl.** ..... **07-99**

(52) **U.S. Cl.**  
USPC ..... **D7/392.1**

(58) **Field of Classification Search**

USPC ..... D9/682-694, 695, 723, 724, 729, 434,  
D9/435, 436, 439, 440, 448, 449;  
D7/300.2, 312, 313, 387, 391, 392, 392.1,  
D7/396.1, 396.2, 397, 398; D23/213,  
D23/214, 218, 221, 223, 224, 226, 227,  
D23/233, 255, 259; D28/91.1; D24/112,  
D24/113, 115, 127, 133, 193, 194, 196,  
D24/199, 222

CPC ... B65D 1/00; B65D 1/02; B65D 1/10; B65D  
1/46; B65D 39/00; B65D 39/0047; B65D  
2585/56; B65D 2585/545; B65D 47/00;  
B65D 47/06; B65D 47/08; B65D 41/00;  
B65D 41/38; B65D 41/56; B65D 41/62;  
B65D 5/46; A61N 5/0603; A61M 11/02;  
A61M 11/006; A61J 1/00; A61J 1/1412;

(Continued)

(56) **References Cited**

**U.S. PATENT DOCUMENTS**

2,812,113 A \* 11/1957 Beall, Jr. .... B65D 47/06  
222/111

D318,427 S \* 7/1991 Sherburne, Jr. .... D9/436  
(Continued)

**OTHER PUBLICATIONS**

Elephant Cuppa Cup Cover: Site Visited [Sep. 30, 2020]. Available  
from Internet URL: <https://elephantcuppa.com/en/product-3/>.\*

(Continued)

*Primary Examiner* — Catherine S Posthauer

(74) *Attorney, Agent, or Firm* — Li & Cai Intellectual  
Property Office

(57) **CLAIM**

The ornamental design for a cup cover, as shown and  
described.

**DESCRIPTION**

FIG. 1 is a top front perspective view of a cup cover showing  
my new design;

FIG. 2 is a front elevational view thereof;

FIG. 3 is a rear elevational view thereof;

FIG. 4 is a left side elevational view thereof;

FIG. 5 is a right side elevational view thereof;

FIG. 6 is a top plan view thereof;

FIG. 7 is a bottom plan view thereof;

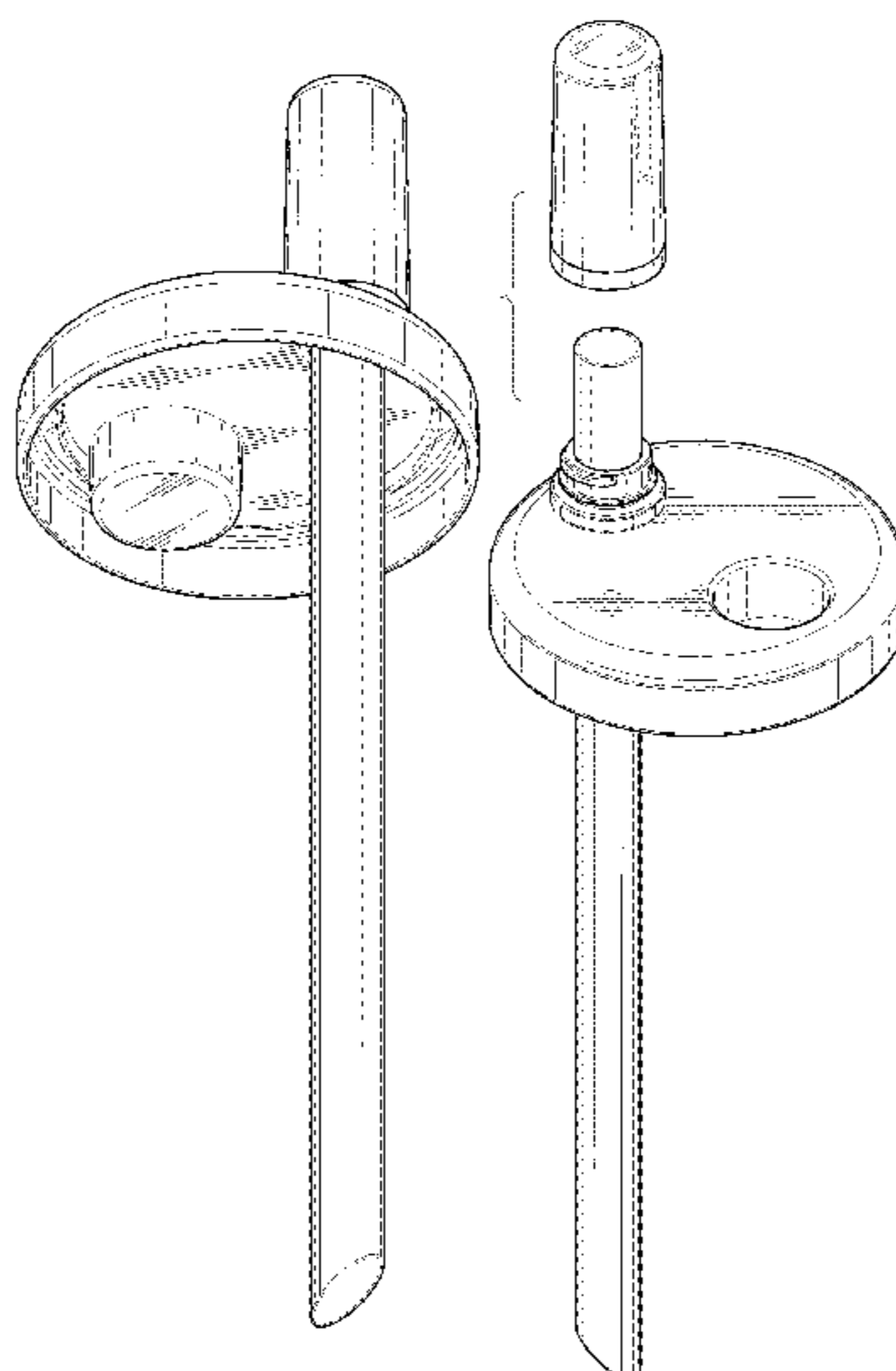
FIG. 8 is a bottom rear perspective view thereof;

FIG. 9 is another top front perspective view of the cup cover,  
shown in an alternate position of use and in a condition of  
use with an exemplary cup; and,

FIG. 10 an exploded top front perspective view thereof,  
showing the exemplary cup removed.

The broken lines are shown for the purpose of illustrating  
both parts of the article as well as environmental subject  
matter of an exemplary cup. None of the broken lines form  
part of the claimed design.

**1 Claim, 9 Drawing Sheets**



(58) **Field of Classification Search**

CPC . B05B 7/065; B05B 11/3045; B05B 11/3046;  
 B05B 7/0037; B05B 1/02; A47K 5/16;  
 A47K 5/1205; A47K 5/1217; A47K 5/14  
 See application file for complete search history.

(56) **References Cited**

U.S. PATENT DOCUMENTS

D326,503 S \* 5/1992 Ipsen ..... D23/233  
 D336,042 S \* 6/1993 Bondanza ..... D9/435  
 D353,096 S \* 12/1994 Albertson ..... D9/440  
 D389,020 S \* 1/1998 LaJoie ..... D7/555  
 6,179,146 B1 \* 1/2001 Betras ..... B65D 21/0204  
 215/229  
 D437,781 S \* 2/2001 Beaver ..... D9/434  
 D445,335 S \* 7/2001 Hou ..... D9/436  
 6,394,302 B1 \* 5/2002 Query, Jr. .... A47G 19/2272  
 220/707  
 D527,254 S \* 8/2006 Antonelli ..... D9/435  
 D573,017 S \* 7/2008 Henderson ..... D9/436  
 D592,505 S \* 5/2009 Mobley ..... D7/300.2  
 D595,990 S \* 7/2009 Rothberg ..... D7/300.2  
 D597,205 S \* 7/2009 Koch ..... D24/133  
 D722,872 S \* 2/2015 Bowman ..... D9/436

D731,240 S \* 6/2015 Bell ..... D7/392.1  
 D741,712 S \* 10/2015 Mohr ..... D9/448  
 D747,200 S \* 1/2016 Chiorazzi ..... D9/440  
 D787,325 S \* 5/2017 Young ..... D9/448  
 D808,802 S \* 1/2018 Seiders ..... D9/440  
 D873,603 S \* 1/2020 Diener ..... D7/392  
 10,653,255 B1 \* 5/2020 Trawinski ..... B65D 45/32  
 10,779,639 B2 \* 9/2020 Floco ..... B60N 3/107  
 2007/0045217 A1 \* 3/2007 Cho ..... B65D 51/285  
 215/236  
 2007/0125873 A1 \* 6/2007 Kenyon ..... B05B 15/74  
 239/30  
 2010/0308083 A1 \* 12/2010 Taylor ..... B67D 1/0857  
 222/333  
 2018/0360245 A1 \* 12/2018 Belmar ..... B65D 1/10  
 2019/0380742 A1 \* 12/2019 Hall ..... A61B 17/3423

OTHER PUBLICATIONS

Mason Bottle Silicone Straw Tops: Announced Oct. 22, 2018 [online]. Site visited [Sep. 30, 2018]. Available from Internet URL: [https://www.amazon.com/Mason-Bottle-Silicone-Two-Pack-Regular-Mouth/dp/B07BLGSMHC/ref=cm\\_cr\\_arp\\_d\\_product\\_top?ie=UTF8](https://www.amazon.com/Mason-Bottle-Silicone-Two-Pack-Regular-Mouth/dp/B07BLGSMHC/ref=cm_cr_arp_d_product_top?ie=UTF8).\*

\* cited by examiner

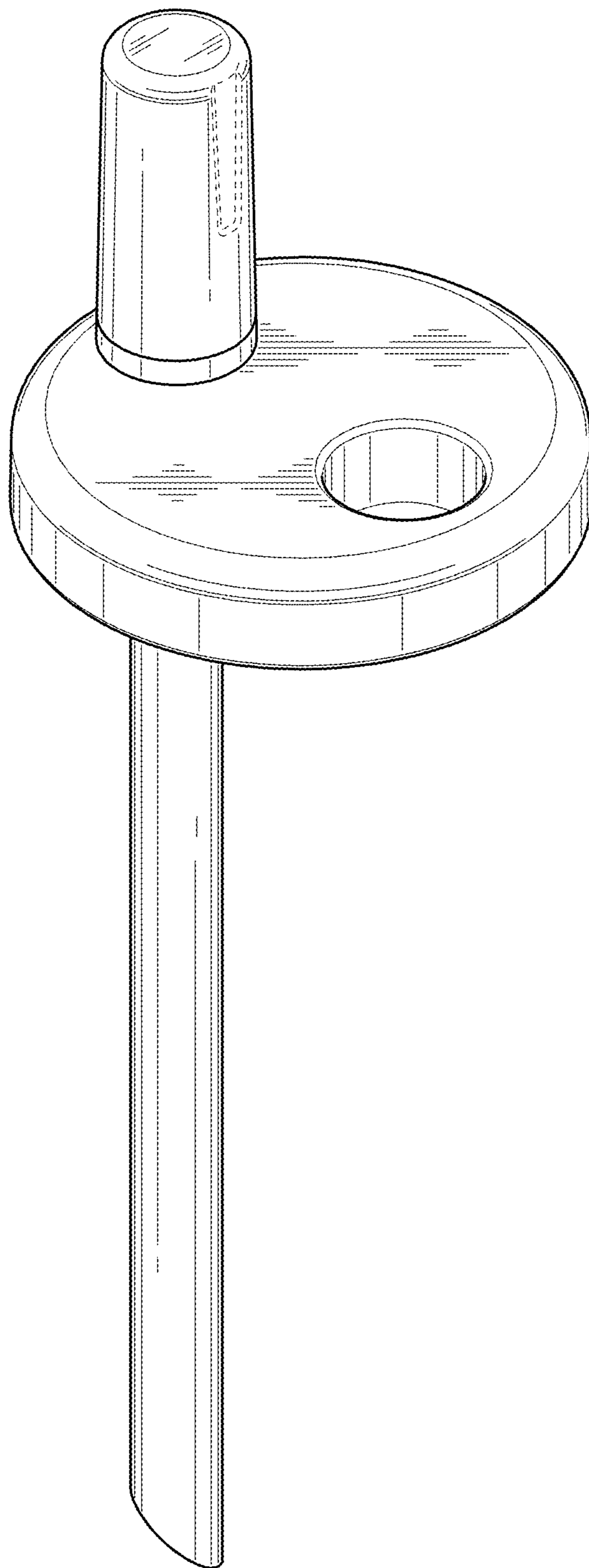


FIG. 1

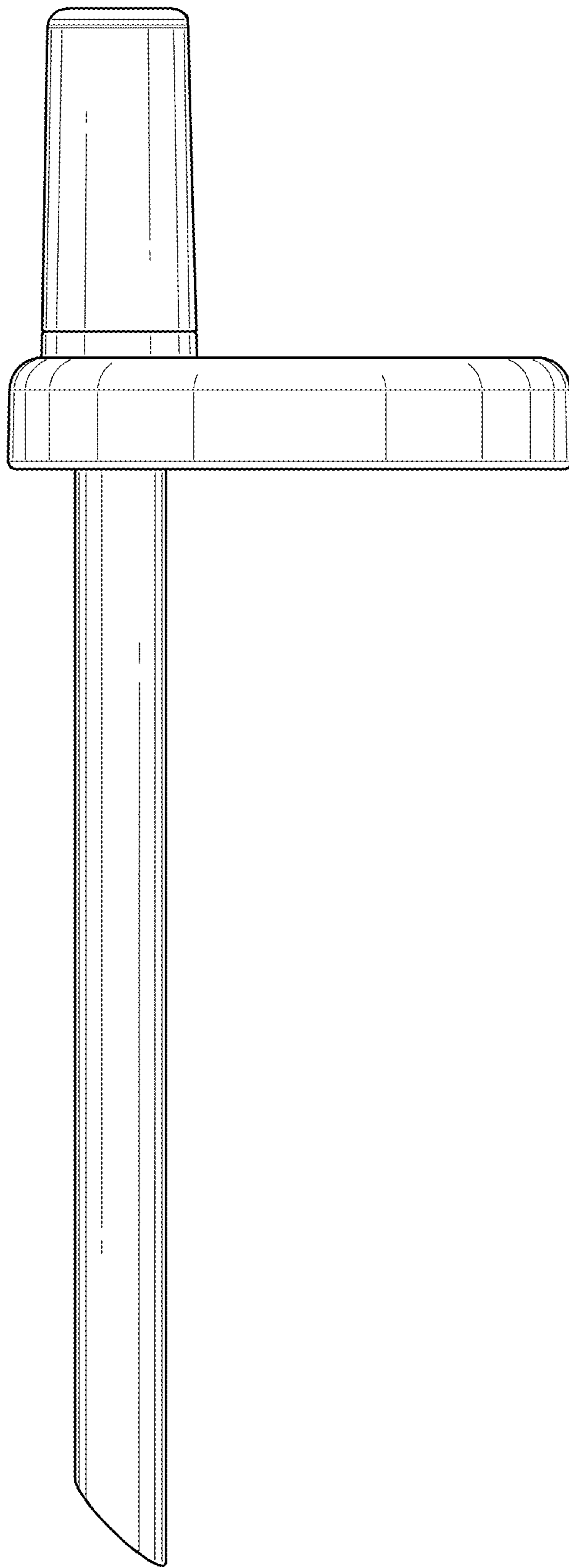


FIG. 2

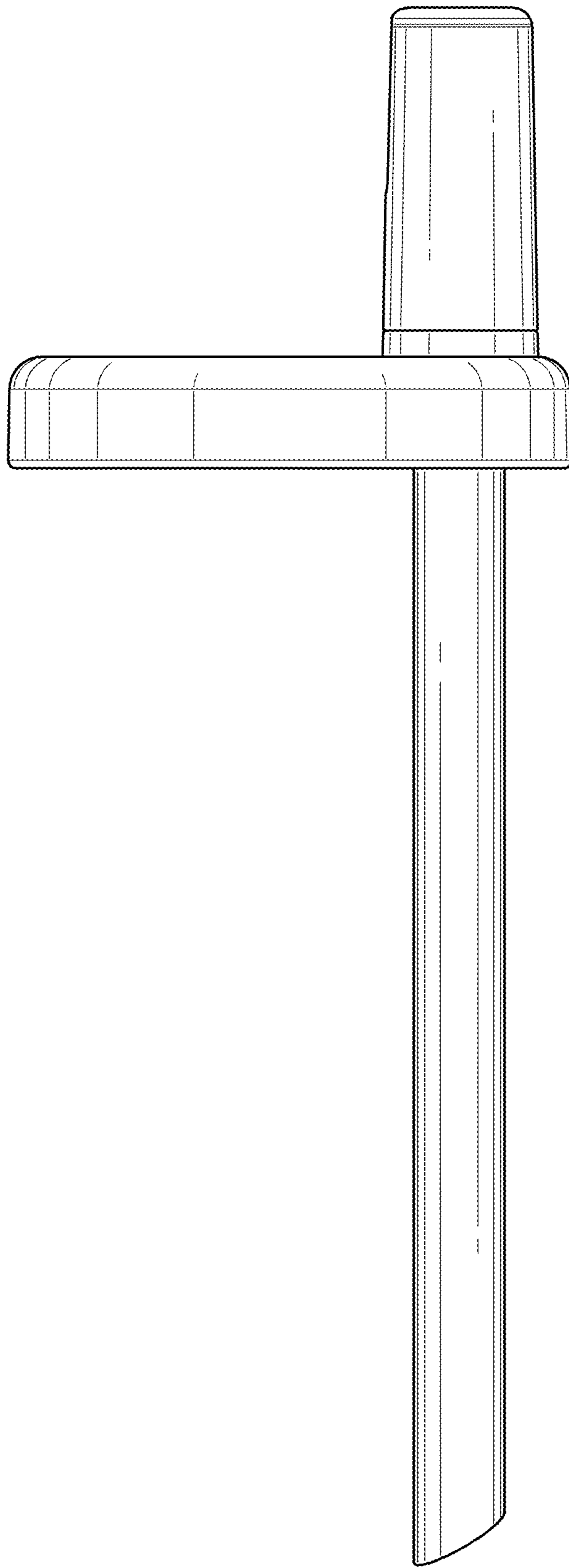


FIG. 3

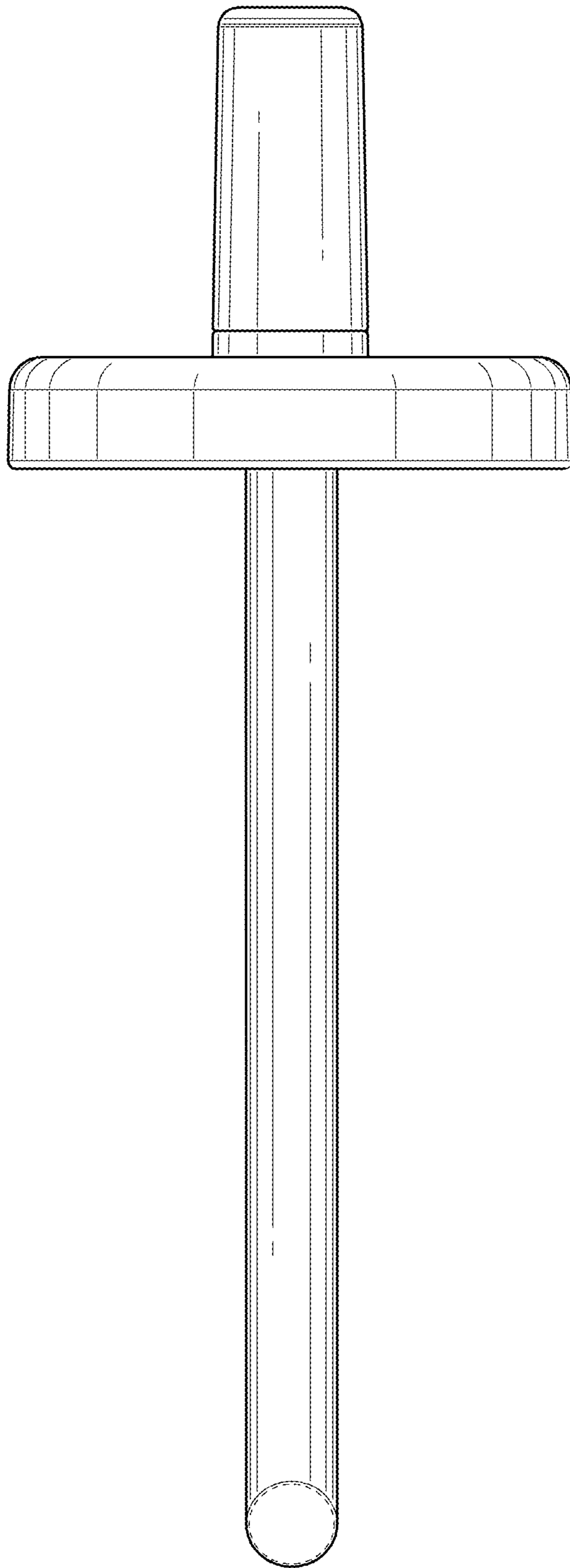


FIG. 4

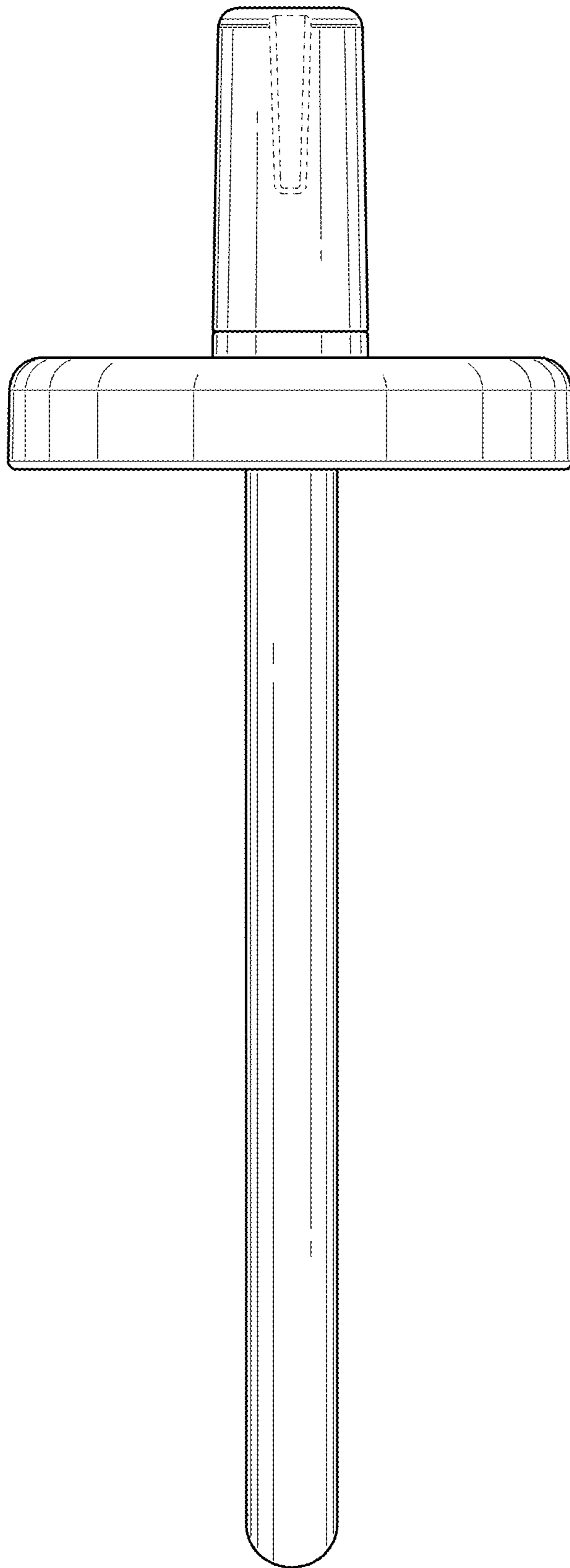


FIG. 5

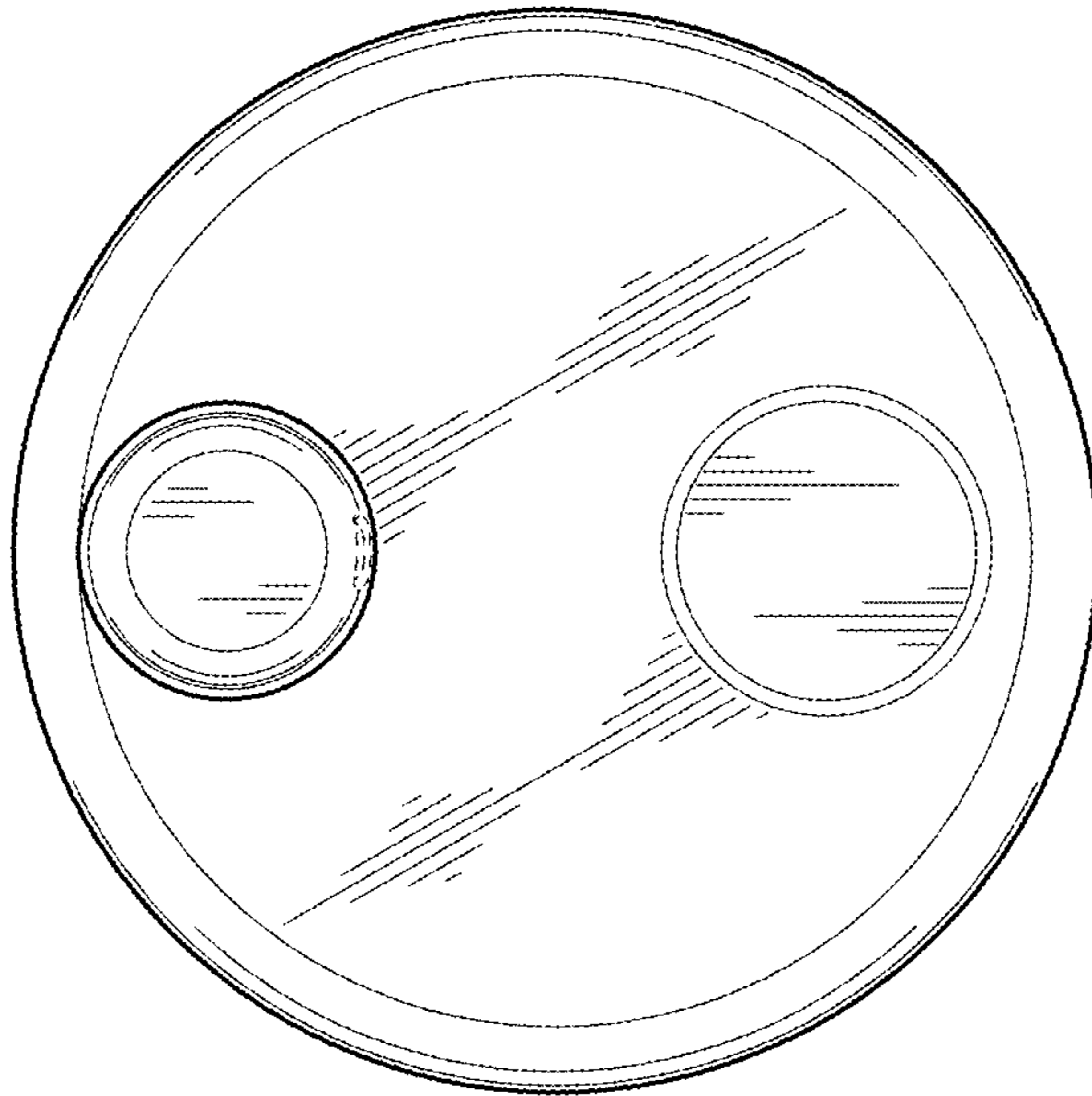


FIG. 6

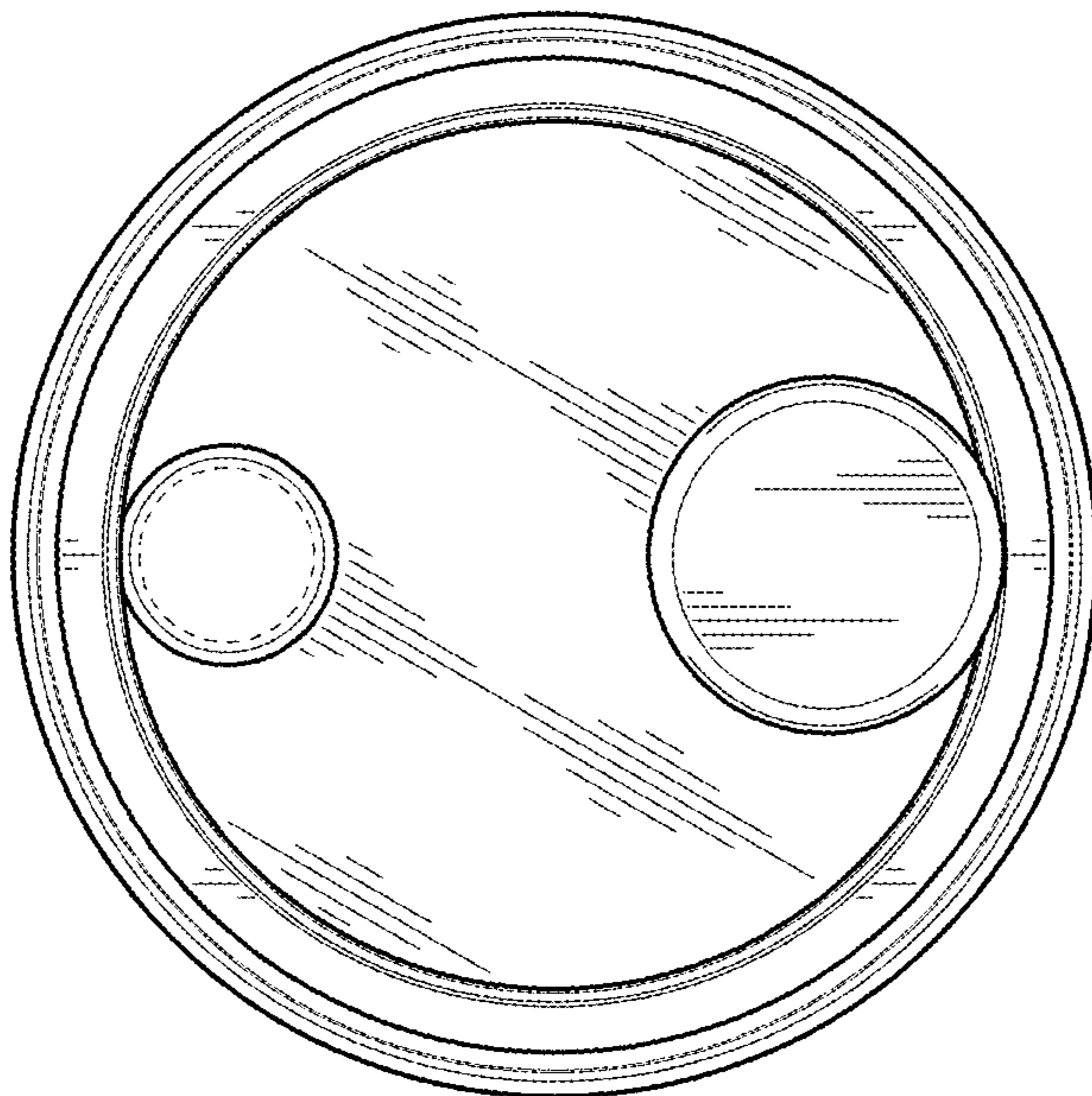


FIG. 7



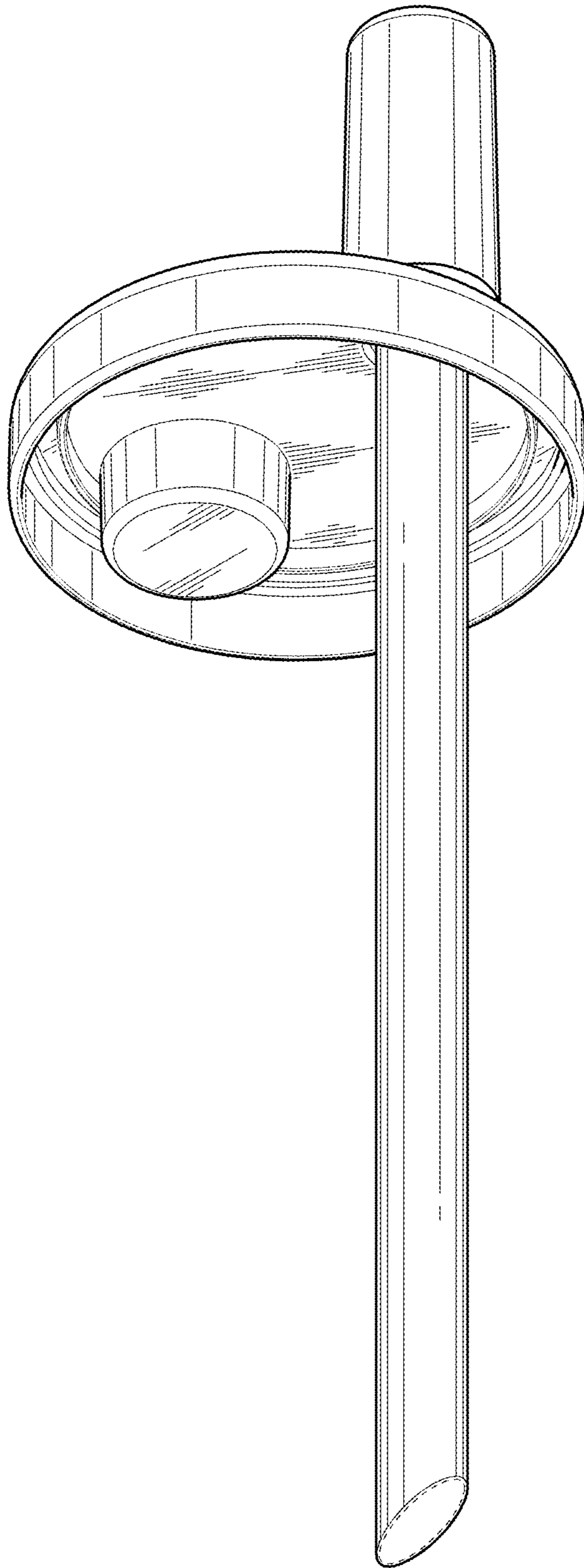


FIG. 8

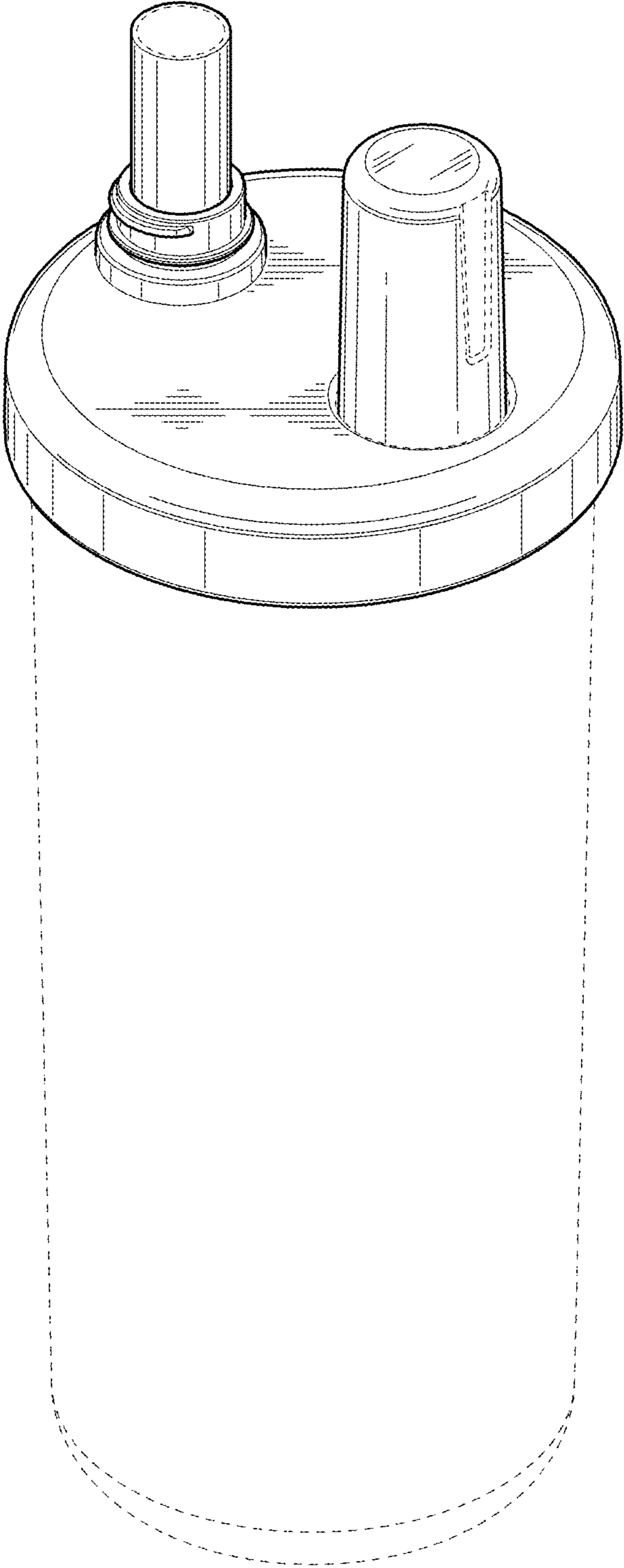


FIG. 9

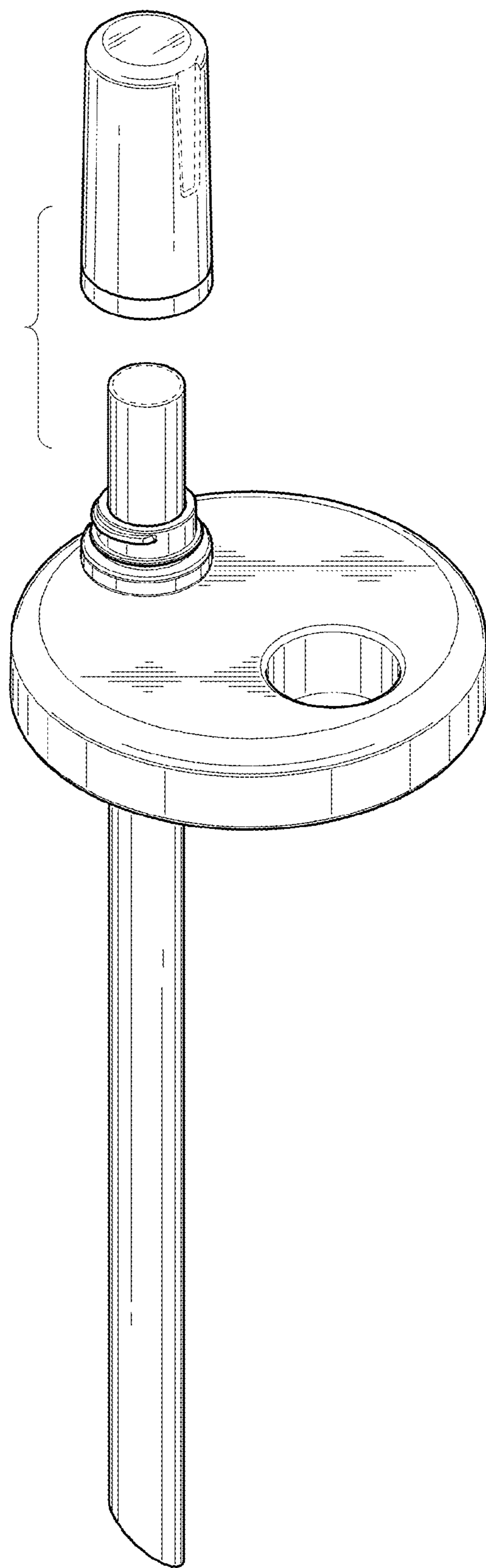


FIG. 10