



US00D903408S

(12) **United States Design Patent** (10) **Patent No.:** **US D903,408 S**  
**Massucco et al.** (45) **Date of Patent:** **\*\* Dec. 1, 2020**

(54) **BOTTLE CAP**  
(71) Applicant: **HYDRAPAK LLC**, Oakland, CA (US)  
(72) Inventors: **Michael Massucco**, Oakland, CA (US); **Matt Lyon**, Moraga, CA (US); **Samuel Lopez**, San Francisco, CA (US)  
(73) Assignee: **Hydrapak LLC**, Oakland, CA (US)  
(\*\*) Term: **15 Years**  
(21) Appl. No.: **29/706,173**  
(22) Filed: **Sep. 18, 2019**  
(51) **LOC (12) Cl.** ..... **07-99**  
(52) **U.S. Cl.**  
USPC ..... **D7/392.1**; D7/396.2; D9/447; D9/453  
(58) **Field of Classification Search**  
USPC ..... D9/414, 424, 425, 428, 432, 434, 435, D9/436, 439, 440, 443-450, 452-457, D9/499, 503, 682, 685, 686; D7/387, D7/391, 392, 392.1, 396.2, 510, 511, 538, D7/900; D3/202, 203.2; D28/91, 91.1  
CPC .. A61J 1/00; A61J 1/1412; B65D 1/00; B65D 1/02; B65D 1/10; B65D 1/46; B65D 5/46; B65D 41/00; B65D 41/38; B65D 41/56; B65D 41/62; B65D 47/00; B65D 47/06; B65D 47/08; B65D 2251/00; B65D 2543/00046; B65D 2543/00092; B65D 2543/00296  
See application file for complete search history.

5,545,315 A \* 8/1996 Lonneman ..... C02F 1/003 D7/510  
D373,928 S \* 9/1996 Green ..... D7/392.1  
5,573,525 A \* 11/1996 Watson ..... A61J 1/2096 215/306  
D391,448 S \* 3/1998 Winer ..... D7/510  
D408,622 S \* 4/1999 Fletcher ..... D7/510  
D482,620 S \* 11/2003 Kleckauskas ..... D9/530  
D508,202 S \* 8/2005 Dobson ..... D9/447  
D531,505 S 11/2006 Lohrman  
D566,468 S 4/2008 Sandy  
D591,152 S \* 4/2009 Hatalla ..... D9/453  
7,753,234 B1 \* 7/2010 Heiberger ..... B65D 47/243 222/153.09  
D628,483 S \* 12/2010 McKinney ..... D9/449  
D637,490 S \* 5/2011 McKinney ..... D9/447  
8,051,674 B2 11/2011 Roth et al.  
D690,162 S 9/2013 Staton  
(Continued)

**OTHER PUBLICATIONS**

U.S. Appl. No. 29/706,111, filed Sep. 18, 2019, Massucco et al.  
(Continued)

*Primary Examiner* — Wendy L Arminio  
(74) *Attorney, Agent, or Firm* — Sheridan Ross P.C.

(57) **CLAIM**

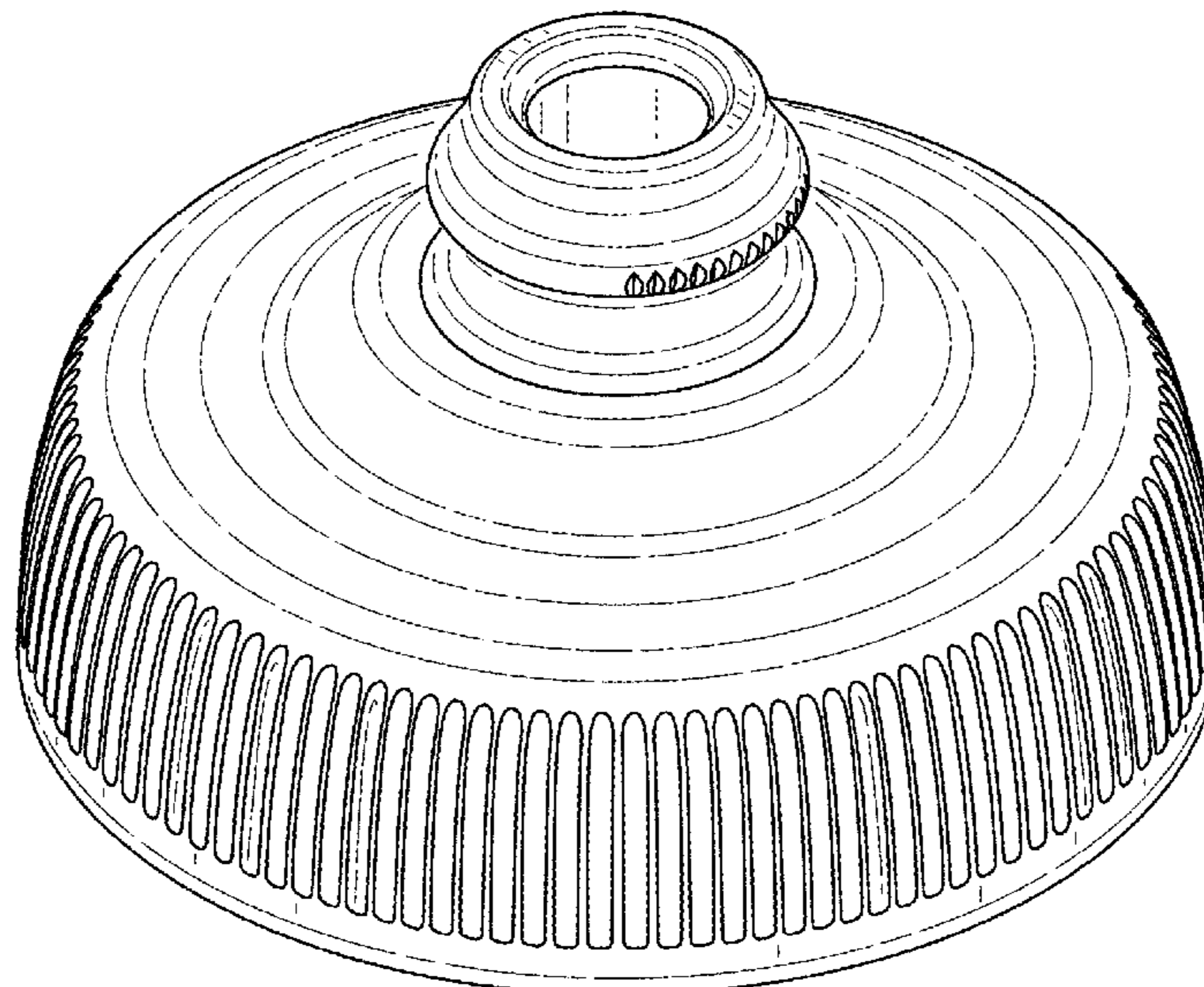
The ornamental design for a bottle cap, as shown and described.

**DESCRIPTION**

FIG. 1 is a perspective view of a bottle cap;  
FIG. 2 is a front view thereof;  
FIG. 3 is a back view thereof;  
FIG. 4 is a right side view thereof;  
FIG. 5 is a left side view thereof; and,  
FIG. 6 is a top plan view thereof.  
Broken lines in the drawings indicate environmental structure that form no part of the claimed design.

**1 Claim, 6 Drawing Sheets**

(56) **References Cited**  
U.S. PATENT DOCUMENTS  
D202,227 S \* 9/1965 Amburgey ..... D9/449  
D204,711 S 5/1966 Plummer  
D337,274 S \* 7/1993 Thatcher ..... D7/510  
D350,672 S 9/1994 Egger et al.  
5,465,876 A \* 11/1995 Crisci ..... B65D 47/243 222/153.1



(56)

References Cited

U.S. PATENT DOCUMENTS

D691,479 S \* 10/2013 Bea ..... D9/453  
 D708,946 S \* 7/2014 Hutchison ..... D9/447  
 D714,154 S 9/2014 Keeler  
 D736,562 S 8/2015 Green et al.  
 D752,434 S 3/2016 Willows et al.  
 D758,132 S 6/2016 Breit  
 D760,027 S 6/2016 Meyers et al.  
 D761,648 S \* 7/2016 Karl, IV ..... D9/447  
 D762,473 S \* 8/2016 Willows ..... D9/447  
 D768,490 S \* 10/2016 Robinson ..... D9/449  
 D771,490 S 11/2016 Junkel  
 D774,351 S 12/2016 Breit et al.  
 D777,518 S 1/2017 Frazier et al.  
 D784,084 S \* 4/2017 Bartlett ..... D7/511  
 D789,150 S 6/2017 Heiberger  
 D793,810 S 8/2017 Frazier  
 D795,647 S 8/2017 Heiberger et al.  
 D802,360 S \* 11/2017 Rummel ..... D7/392.1  
 D808,219 S 1/2018 Heiberger et al.  
 D808,721 S \* 1/2018 Soni ..... D7/510  
 D834,368 S \* 11/2018 Oas ..... D7/392.1  
 10,414,549 B2 \* 9/2019 Hirst ..... A47G 19/2266  
 D864,658 S \* 10/2019 McCready ..... D7/392  
 D877,884 S \* 3/2020 Davis ..... D9/434  
 2003/0088232 A1 \* 5/2003 Duell ..... A61J 1/1487  
 604/411  
 2005/0023237 A1 2/2005 Inestroza  
 2005/0092785 A1 \* 5/2005 Hearld ..... B65D 47/243  
 222/525

2006/0157490 A1 7/2006 Lipson  
 2009/0236341 A1 \* 9/2009 McKinney ..... A47G 19/2266  
 220/375  
 2010/0288758 A1 11/2010 Blain  
 2012/0193316 A1 8/2012 Starks  
 2014/0144870 A1 \* 5/2014 Brosius ..... B65D 47/247  
 215/387  
 2016/0159635 A1 \* 6/2016 Davis ..... B67D 3/0041  
 141/366  
 2016/0200486 A1 \* 7/2016 Meyers ..... B65D 47/283  
 215/229  
 2016/0316896 A1 11/2016 Breit et al.  
 2017/0166346 A1 \* 6/2017 Cornell ..... A45C 15/00  
 2018/0086517 A1 \* 3/2018 Heiberger ..... B65D 41/023  
 2019/0119014 A1 \* 4/2019 Heiberger ..... B65D 23/104

OTHER PUBLICATIONS

U.S. Appl. No. 29/706,166, filed Sep. 18, 2019, Massucco et al.  
 U.S. Appl. No. 29/706,182, filed Sep. 18, 2019, Massucco et al.  
 “Polar bottle—Insulated Sport Bottle” Brochure, Product Architects, Inc., 2011, 1 page.  
 “Polar Bottle—Spring 2012” Brochure, Product Architects, Inc., 2012, 5 pages.  
 Notice of Allowance (with English translation) for Chinese Patent Application No. 201730159894.3, dated Aug. 7, 2017, 5 pages.  
 Notice of Allowance for U.S. Appl. No. 29/583,577, dated Sep. 26, 2017, 9 pages.

\* cited by examiner

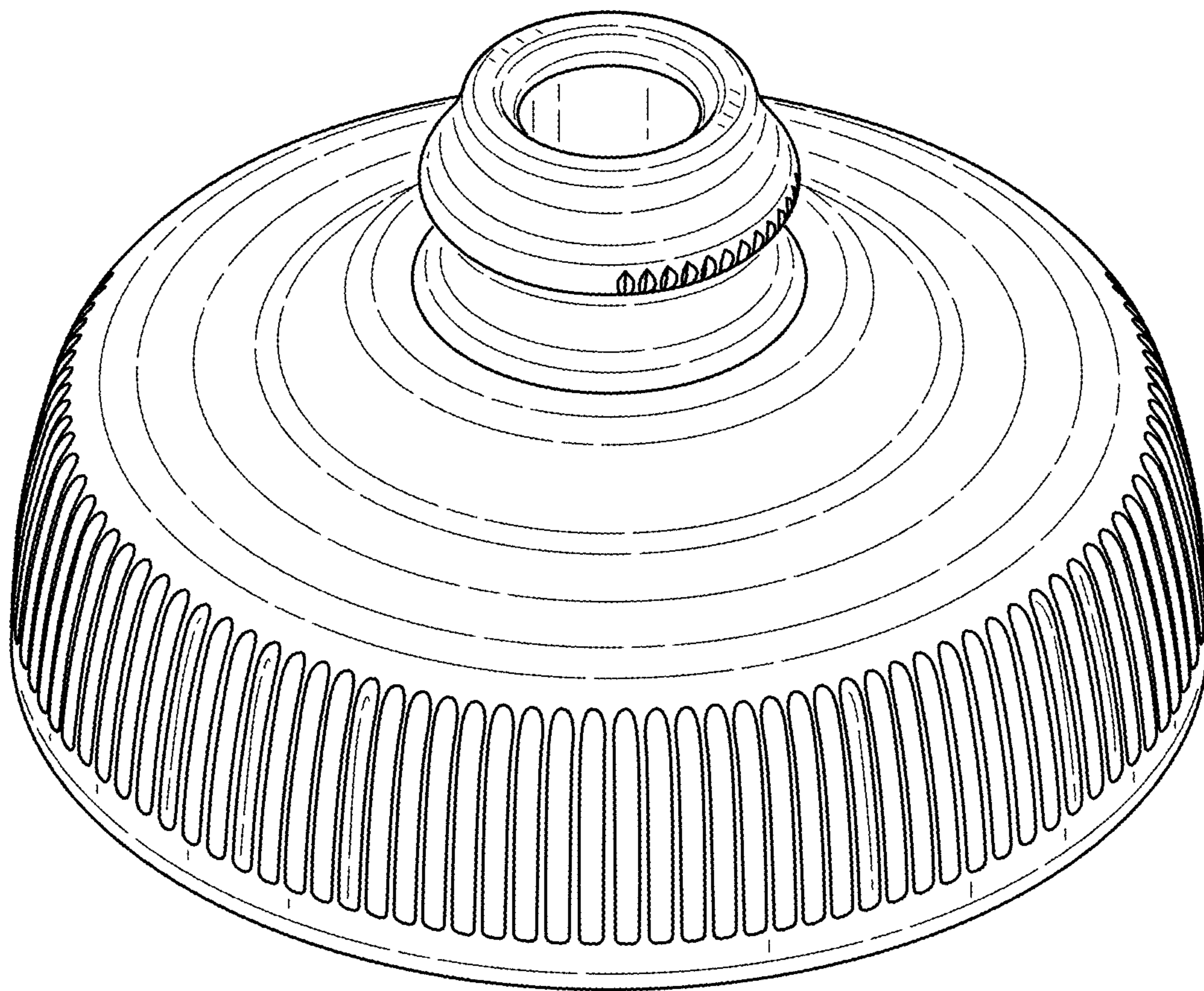


FIG. 1

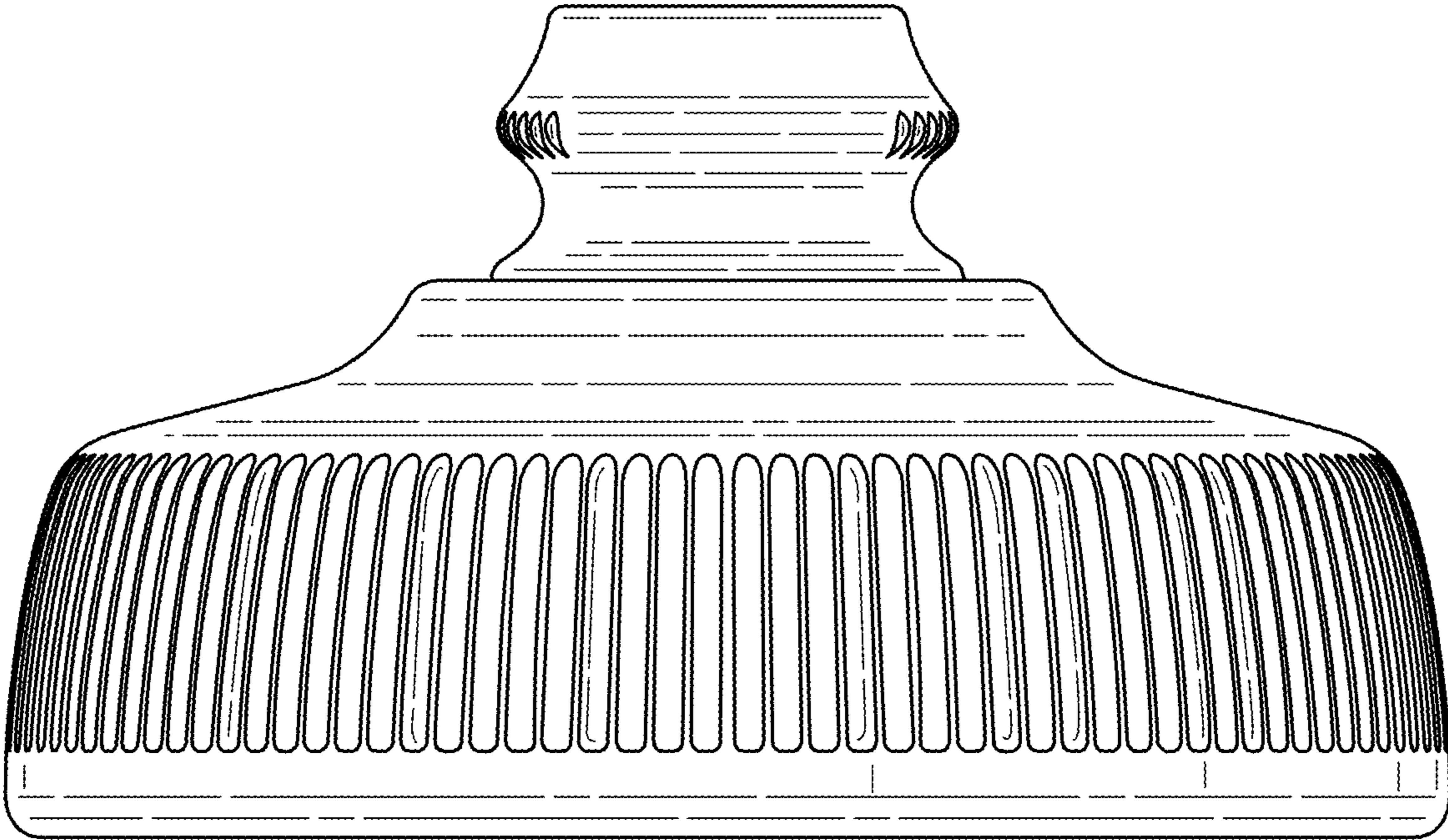


FIG.2

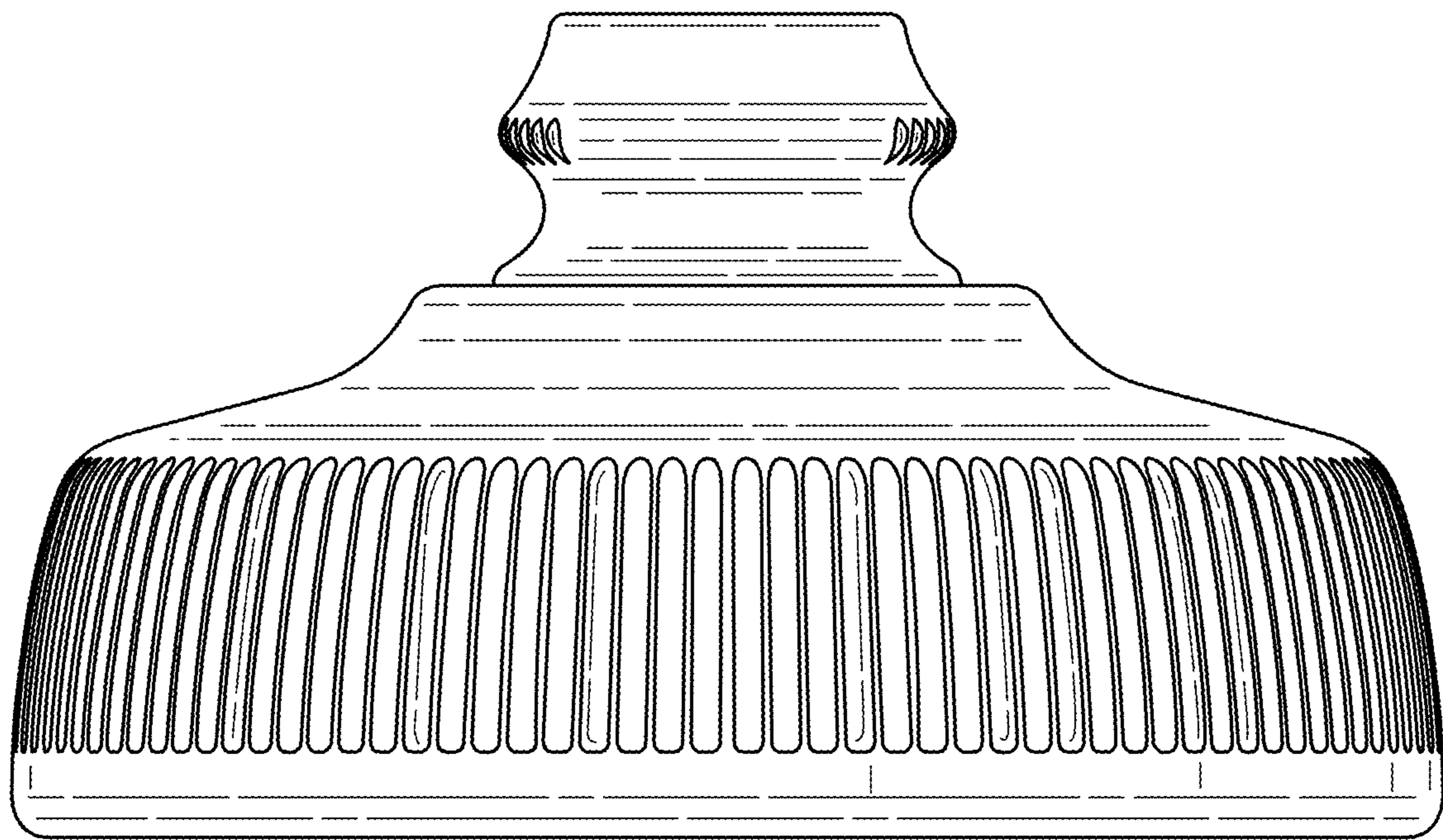


FIG.3

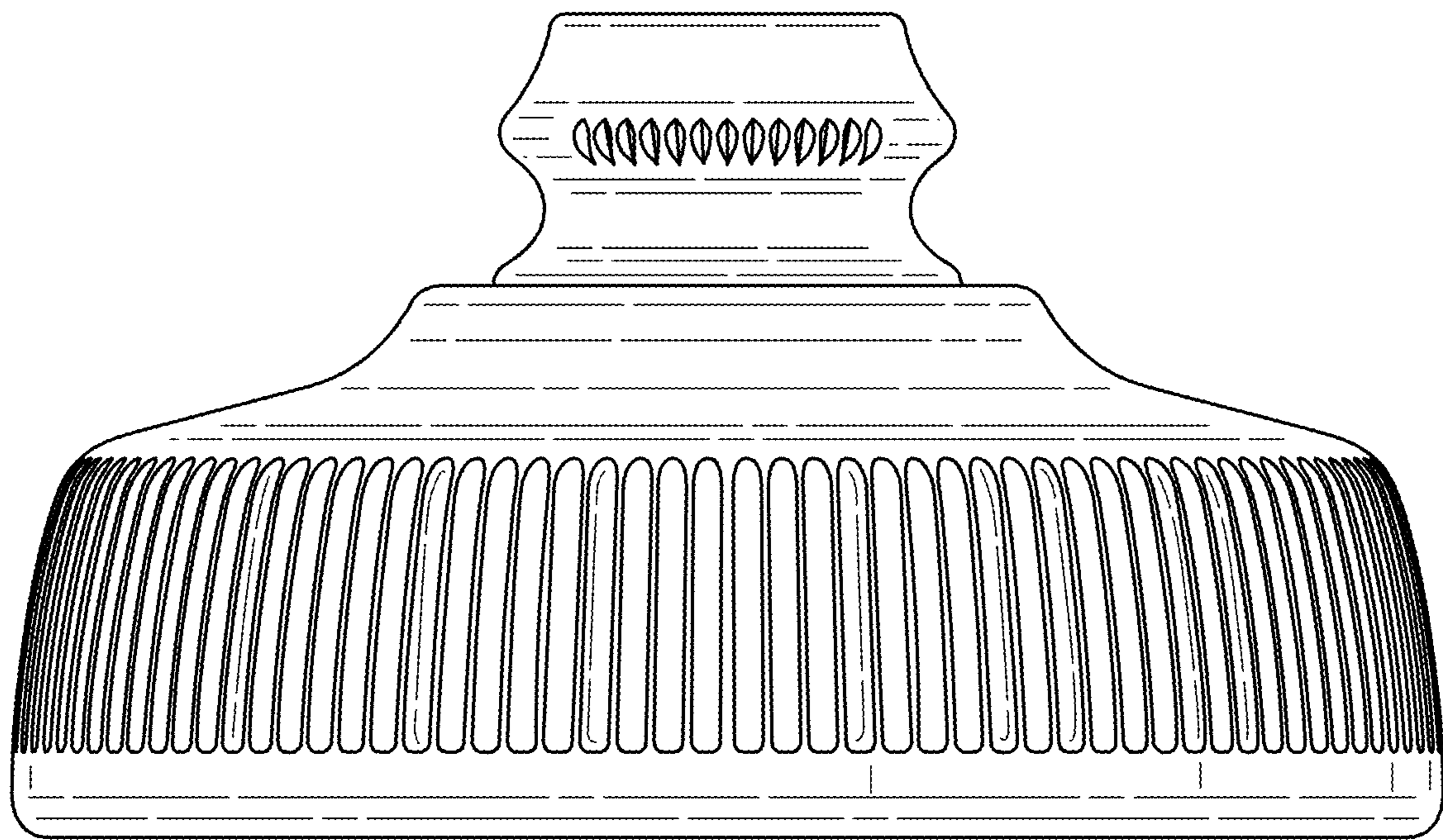


FIG.4

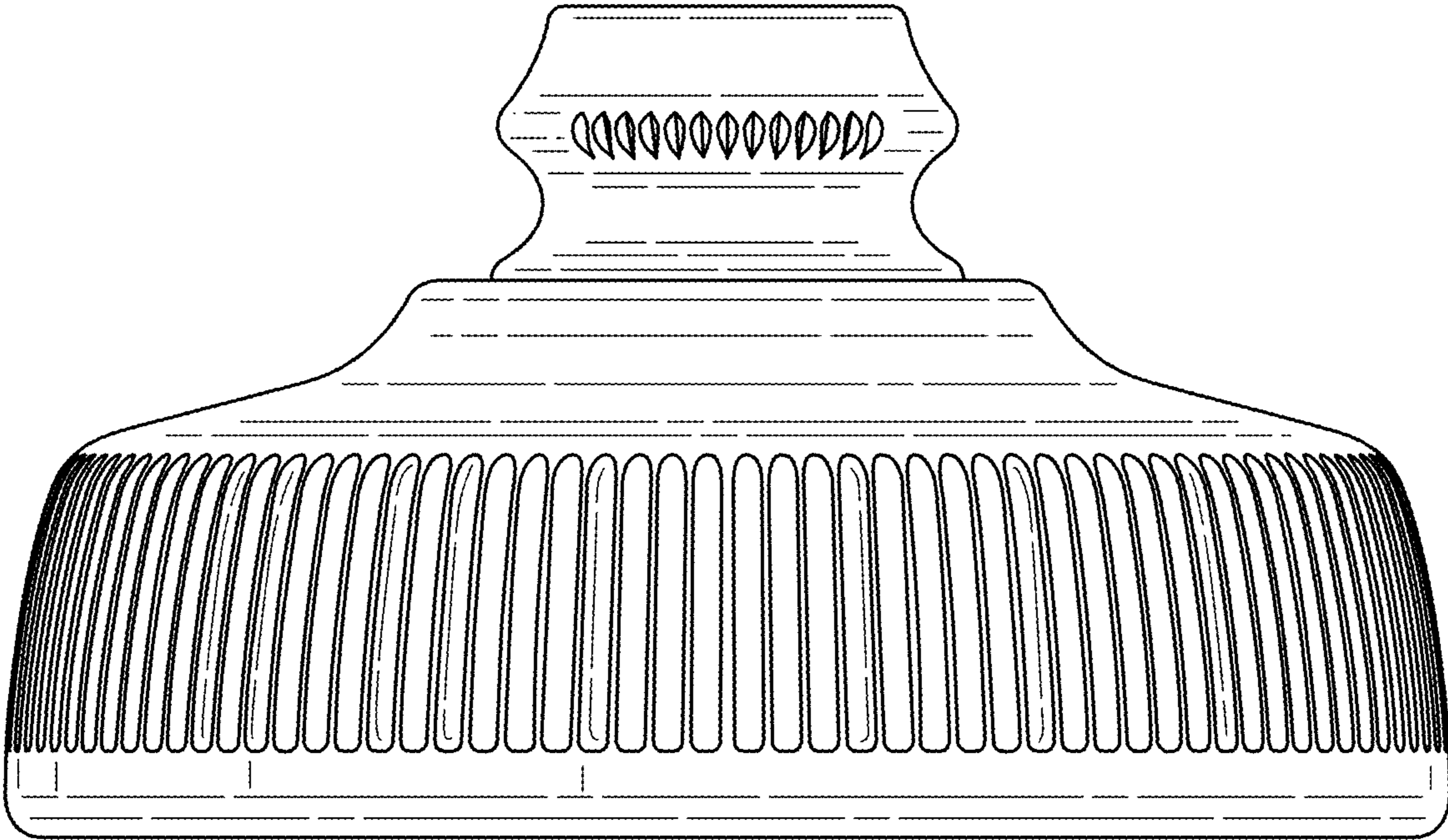


FIG.5

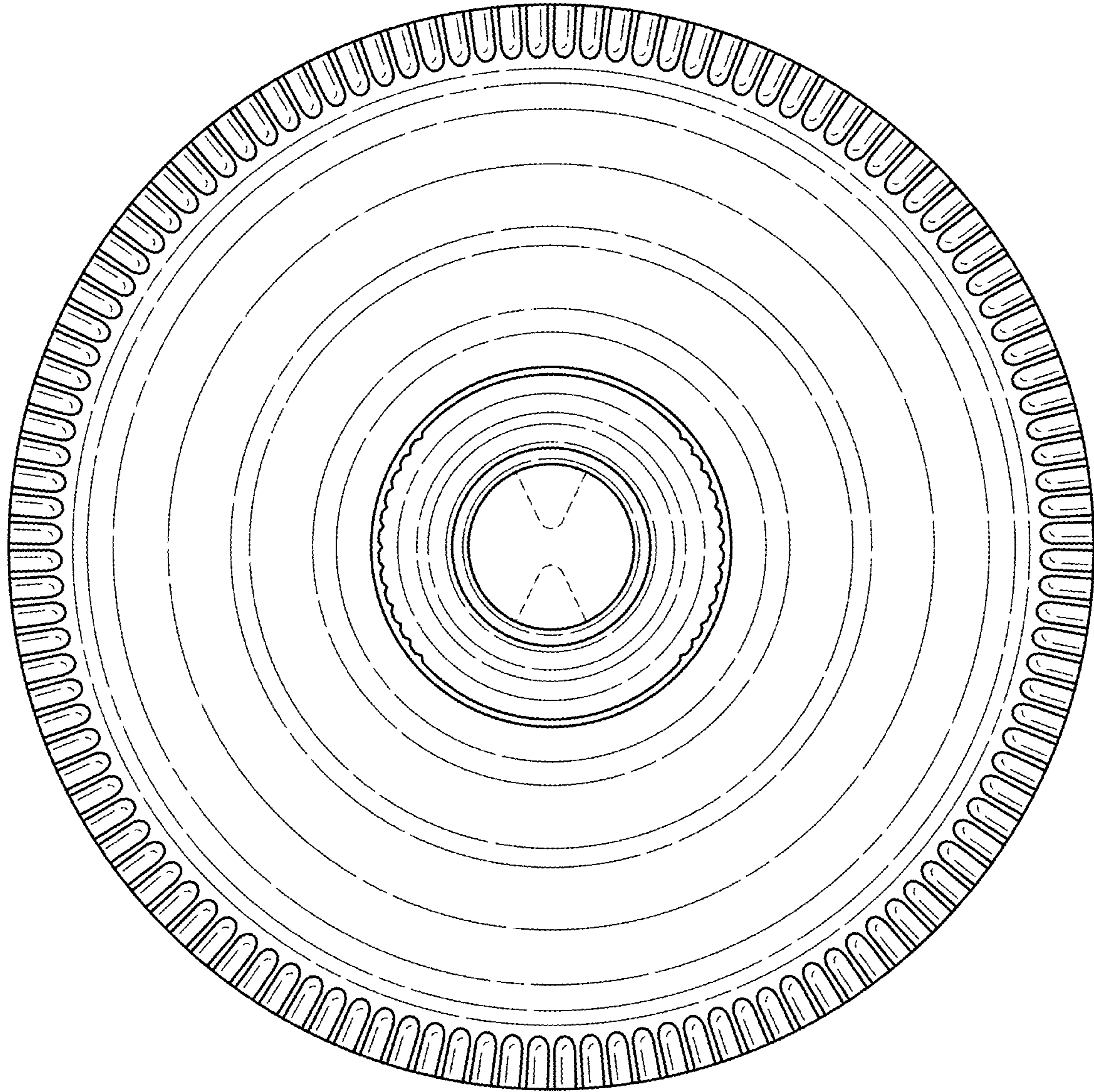


FIG.6