



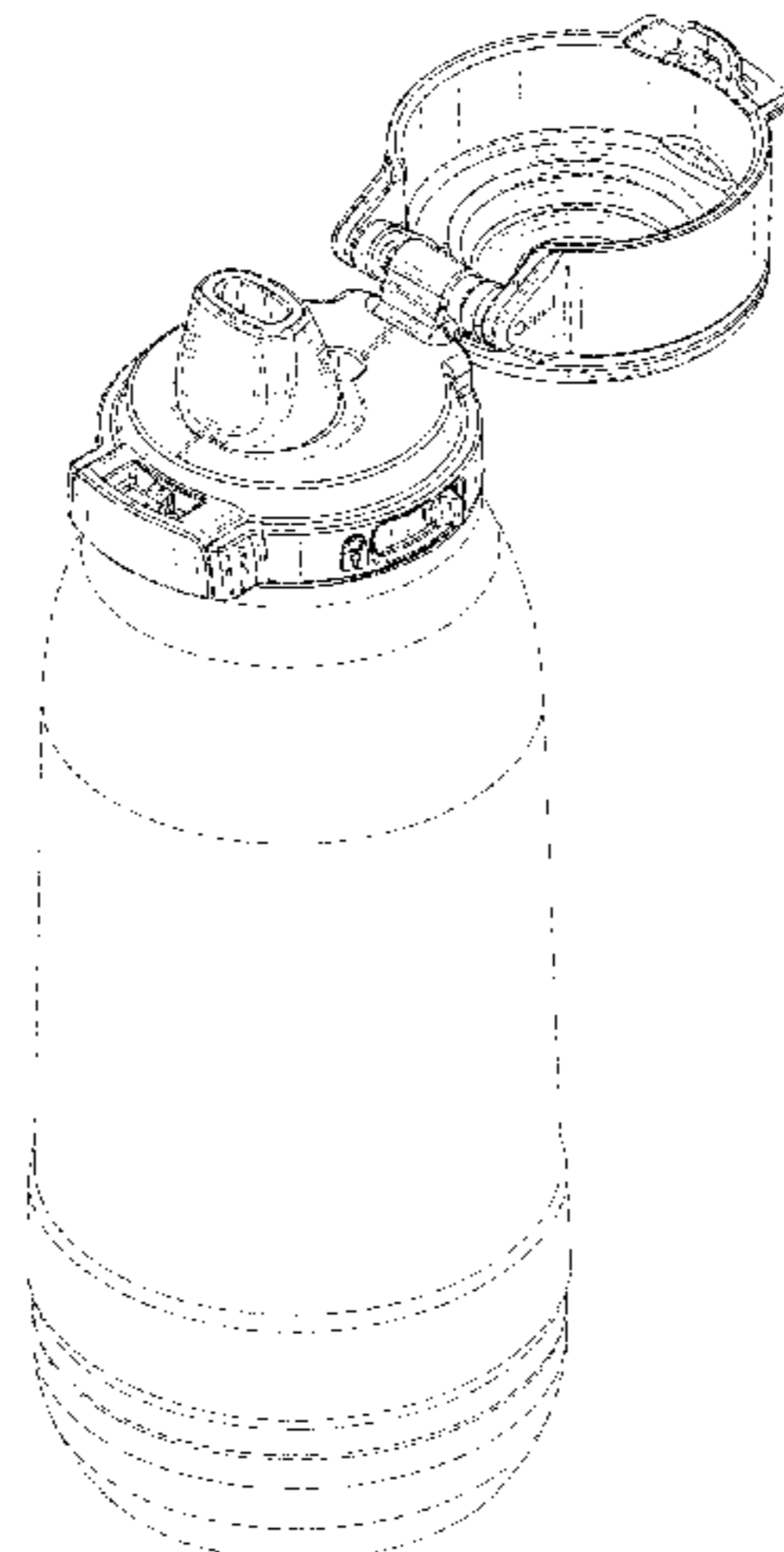
US00D903407S

(12) **United States Design Patent** (10) **Patent No.:** **US D903,407 S**  
**McCabe et al.** (45) **Date of Patent:** **\*\* Dec. 1, 2020**

(54) **BEVERAGE CONTAINER LID**  
(71) Applicant: **Leapfrog Product Development LLC**,  
Chicago, IL (US)  
(72) Inventors: **Micaela K. McCabe**, Chicago, IL (US);  
**Steven N. Pinelli**, Ogden Dunes, IN  
(US); **Jingyan Wang**, Harbin (CN);  
**Glen C. Gilmore, III**, Naperville, IL  
(US); **Brian M. Clemens**, Burnsville,  
MN (US); **Richard E. Ellison**,  
Chicago, IL (US); **Kurtis M. Sward**,  
Anna Maria, FL (US)  
(73) Assignee: **Leapfrog Products Development LLC**,  
Chicago, IL (US)  
(\*\*) Term: **15 Years**  
(21) Appl. No.: **29/692,846**  
(22) Filed: **May 29, 2019**  
(51) **LOC (12) Cl.** ..... **07-99**  
(52) **U.S. Cl.**  
USPC ..... **D7/392.1; D7/396.2; D9/449**  
(58) **Field of Classification Search**  
USPC ..... D9/434, 435, 438-441, 443-454, 499,  
D9/503-505, 682, 685, 686; D7/300.1,  
D7/387, 391, 392, 392.1, 393, 394, 396.1,  
D7/396.2, 506, 507, 510, 511, 533, 534,  
D7/900; D3/202, 203.2, 294, 318;  
D28/91, 91.1  
CPC .. A61J 1/00; A61J 1/1412; B65D 1/00; B65D  
1/02; B65D 1/10; B65D 1/46; B65D  
5/46; B65D 41/00; B65D 41/38; B65D  
41/56; B65D 41/62; B65D 47/00; B65D  
47/06; B65D 47/08; B65D 2251/00;  
B65D 2543/00046; B65D 2543/00092;  
B65D 2543/00296  
See application file for complete search history.

D485,132 S \* 1/2004 Ohno ..... D7/608  
D505,294 S \* 5/2005 Gauss ..... D7/392.1  
D508,185 S 8/2005 Gauss  
D515,357 S 2/2006 Ward et al.  
D528,862 S \* 9/2006 Li ..... D7/510  
D533,061 S \* 12/2006 Li ..... D9/449  
D564,841 S 3/2008 Clemens et al.  
D579,722 S 11/2008 Sakulsacha et al.  
D579,772 S \* 11/2008 Williams ..... D9/446  
D581,727 S 12/2008 Pinelli et al.  
D592,456 S 5/2009 Pinelli et al.  
D592,905 S 5/2009 Pinelli et al.  
D592,913 S 5/2009 Pinelli et al.  
7,546,933 B2 6/2009 Pinelli  
D609,964 S 2/2010 Lane  
D643,249 S 8/2011 Miller et al.  
7,997,442 B2 8/2011 Pinelli  
D655,580 S \* 3/2012 Kotani ..... D7/608  
D656,787 S 4/2012 Phillips et al.  
D661,945 S 6/2012 Eyal  
D675,060 S 1/2013 Lane  
8,360,267 B1 1/2013 Chiou et al.  
D686,871 S \* 7/2013 Lane ..... D7/392.1  
D693,629 S 11/2013 Miller  
D693,630 S 11/2013 Hurley et al.  
8,579,133 B2 11/2013 Marcus et al.  
8,590,731 B2 11/2013 Pinelli  
D700,012 S 2/2014 Hurley et al.  
D700,802 S 3/2014 Miller  
8,978,906 B2 3/2015 Feeley et al.  
D725,966 S 4/2015 Boroski et al.  
D739,183 S 9/2015 Lane  
9,266,643 B2 2/2016 Marcus et al.  
D758,189 S 6/2016 Roth et al.  
D758,790 S \* 6/2016 Boroski ..... D7/396.2  
D780,578 S \* 3/2017 Lane ..... D9/447  
D785,402 S 5/2017 Shirley et al.  
D793,804 S 8/2017 Herbst et al.  
D794,453 S 8/2017 Boroski et al.  
D795,011 S \* 8/2017 Pisarevsky ..... D7/507  
D799,898 S \* 10/2017 Yao ..... D7/510  
D802,993 S 11/2017 Joseph et al.  
D804,903 S 12/2017 Mason et al.  
D804,904 S \* 12/2017 Noveletsky ..... D7/510  
D808,220 S 1/2018 Burns et al.  
D809,384 S 2/2018 Best et al.  
D814,398 S 4/2018 Yasunaga  
D817,713 S \* 5/2018 Lin ..... D7/510  
D818,767 S \* 5/2018 Nezu ..... D7/392.1  
D821,136 S 6/2018 Silsby et al.  
D821,137 S 6/2018 Boroski  
D821,815 S \* 7/2018 Chung ..... D7/510  
D822,427 S 7/2018 Sorensen et al.

(56) **References Cited**  
U.S. PATENT DOCUMENTS  
D364,810 S 12/1995 Meisner  
D471,455 S 3/2003 Laveault et al.



D831,425 S	10/2018	Best et al.	
D831,433 S	10/2018	Fleischhut	
D835,939 S	12/2018	Yee et al.	
D839,044 S *	1/2019	Potter .....	D7/392.1
D848,787 S	5/2019	Tatsukawa et al.	
D853,181 S *	7/2019	Stanton .....	D7/392.1
D853,784 S	7/2019	Wu	
D865,457 S *	11/2019	Kotani .....	D7/608
D869,230 S *	12/2019	Hao .....	D9/449
D870,509 S	12/2019	Bo	
2011/0089059 A1 *	4/2011	Lane .....	B65D 51/285 206/222
2012/0312832 A1 *	12/2012	Lane .....	B65D 51/242 220/833
2014/0339177 A1 *	11/2014	Lane .....	C02F 1/002 210/767
2015/0282654 A1 *	10/2015	Kurabe .....	B65D 43/163 220/254.5
2017/0297785 A1	10/2017	Maruyama et al.	

OTHER PUBLICATIONS

Zulu, “Atlas20 oz Glass Water Bottle,” accessed on-line at: <https://www.zuluathletic.com/shop-all/atlas-glass-water-bottle> (available at least as early as May 29, 2019).

Kor, “Vida Bottle—25oz,” accessed on-line at: <https://waterbottles.com/kor-vida-bottle-25-oz> (available at least as early as May 29, 2019).

Thermos, “Hydration Bottle with Rotating Intake Meter, 24oz,” accessed on-line at: <https://www.thermos.com/genuine-thermos-brand-hydration-bottle-with-rotating-intake-meter-24oz.html> (available at least as early as May 29, 2019).

Thermos, “Shaker Bottle with Integrated Mixer, 24oz,” accessed on-line at: <https://www.thermos.com/genuine-thermos-brand-shaker-bottle-with-integrated-mixer-24oz-clear-green-accent.html> (available at least as early as May 29, 2019).

Tervis, “Custom Water Bottle,” accessed on-line at: <https://www.tervis.com/turtle-sunset-stainless-steel-24oz-stainless-water-bottle-1362572.html> (available at least as early as May 29, 2019).

Swell, “Bottles,” accessed on-line at: <https://www.swell.com/shop/swell/bottles/> (available at least as early as May 29, 2019).

Tritan, “32 oz Soft Straw Plastic Water Bottle,” accessed on-line at: <http://www.pogogear.com/32oz-tritan-straw> (available at least as early as May 29, 2019).

Tritan, “32oz Chug Plastic Water Bottle,” accessed on-line at: <http://www.pogogear.com/32oz-tritan-chug> (available at least as early as May 29, 2019).

Tritan, “18oz Chug Plastic Water Bottle,” accessed on-line at: <http://www.pogogear.com/18oz-tritan-chug> (available at least as early as May 29, 2019).

Ello, “chi 24oz BPA-Free Tritan Plastic Water Bottle,” accessed on-line at: <https://www.elloproducts.com/water-bottles/chi-24oz-plastic-water-bottle> (available at least as early as May 29, 2019).

Ello, “Dash 16oz 2pk Tritan Plastic Water Bottles,” accessed on-line at: <https://www.elloproducts.com/kids/dash-16oz-tritan-plastic-water-bottle> (available at least as early as May 29, 2019).

Ello, “Cru Stemless Wine glass Set with Silicone Protection,” accessed on-line at: <https://www.elloproducts.com/tumblers/cru-stemless-wine-glass-set-with-silicone-protection> (available at least as early as May 29, 2019).

Aladdin, “Water Bottle,” (1 page) (available at least as early as May 29, 2019).

Ello, “Elsie 22oz Glass Water Bottle,” accessed on-line at: <https://www.elloproducts.com/water-bottles/elsie-22oz-glass-water-bottle> (available at least as early as May 29, 2019).

Ello, “Beacon 24oz Vacuum Insulated Stainless Tumbler,” accessed on-line at: <https://www.elloproducts.com/tumblers/beacon-24oz-vacuum-insulated-stainless-tumbler> (available at least as early as May 29, 2019).

Ello “Rise 12oz Vacuum Insulated Stainless Steel Tumbler with Optional Straw,” accessed on-line at: <https://www.elloproducts.com/kids/rise-12oz-vacuum-insulated-stainless-steel-tumbler> (available at least as early as May 29, 2019).

Ello, “Hammertime 18oz Stainless Steel Travel Mug,” accessed on-line at: <https://www.elloproducts.com/travel-mugs/hammertime-18oz-vacuum-insulated-stainless-steel-travel-mug> (available at least as early as May 29, 2019).

Ello, “Pure 20oz Glass Water Bottle,” accessed on-line at: <https://www.elloproducts.com/water-bottles/pure-20oz-glass-water-bottle> (available at least as early as May 29, 2019).

Ello, “Max 12oz Vacuum-Insulated Stainless Steel Kids Water Bottle,” accessed on-line at: <https://www.elloproducts.com/kids/max-12oz-vacuum-insulated-stainless-steel-kids-water-bottle> (available at least as early as May 29, 2019).

Ello, “Syndicate 20oz Glass Water Bottle,” accessed on-line at: <https://www.elloproducts.com/water-bottles/syndicate-20oz-glass-water-bottle> (available at least as early as May 29, 2019).

Mason, “Glass Jar,” (1 page) (available at least as early as May 29, 2019).

Camelbak, “Eddy+ 1L Bottle,” accessed on-line at: [https://www.camelbak.com/en/bottles/R02056--Eddy\\_75L\\_2019?color=6bbd0584f3a64b0eb30d406f7e03797e](https://www.camelbak.com/en/bottles/R02056--Eddy_75L_2019?color=6bbd0584f3a64b0eb30d406f7e03797e) (available at least as early as May 29, 2019).

Contigo, “Autoseal West Loop 2.0 Stainless,” accessed on-line at: <https://www.gocontigo.com/20-oz-autoseal-west-loop-stainless-travel-mug-with-easy-clean-lid.html> (available at least as early as May 29, 2019).

Contigo, “Autospout Straw Striker Chill,” accessed on-line at: <https://www.gocontigo.com/14-oz-autospout-striker-kids-water-bottle.html> (available at least as early as May 29, 2019).

Zojirushi, “Travel Mug SM-YAE48,” accessed on-line at: <https://www.zojirushi.com/app/product/smyae> (available at least as early as May 29, 2019).

Zojirushi, “Stainless Mug SM-KC3648,” accessed on-line at: <https://www.zojirushi.com/app/product/smkc> (available at least as early as May 29, 2019).

Zojirushi, “Stainless Bottle SJ-JS10,” accessed on-line at: <https://www.zojirushi.com/app/product/sjjs> (available at least as early as May 29, 2019).

Zojirushi, “Flip-and-Go Stainless Mug SM-QHE48/60,” accessed on-line at: <https://www.zojirushi.com/app/product/smqhe> (available at least as early as May 29, 2019).

Zojirushi, “Stainless Mug SM-TAE48SA, Ichimatsu Collection,” accessed on-line at: <https://www.zojirushi.com/app/product/smtae> (available at least as early as May 29, 2019).

Zojirushi, “Stainless Mug SM-TA36/48/60,” accessed on-line at: <https://www.zojirushi.com/app/product/smta> (available at least as early as May 29, 2019).

Zojirushi, “Stainless Mug SM-SE36/48/60,” accessed on-line at: <https://www.zojirushi.com/app/product/smse> (available at least as early as May 29, 2019).

Zojirushi, “Stainless Mug SM-SD36/48/60,” accessed on-line at: <https://www.zojirushi.com/app/product/smsd> (available at least as early as May 29, 2019).

Zojirushi, “Stainless Mug SM-SHE48/60,” accessed on-line at: <https://www.zojirushi.com/app/product/smshe> (available at least as early as May 29, 2019).

Zojirushi, “Stainless Mug SM-KHE36/48,” accessed on-line at: <https://www.zojirushi.com/app/product/smkhe> (available at least as early as May 29, 2019).

Zojirushi, “Stainless Mug SM-SC36/48/60” accessed on-line at: <https://www.zojirushi.com/app/product/smsc> (available at least as early as May 29, 2019).

Zojirushi, “Stainless Mug SM-PC20/30,” accessed on-line at: <https://www.zojirushi.com/app/product/smpc> (available at least as early as May 29, 2019).

Zojirushi, “Stainless Mug SM-PB30/34,” accessed on-line at: <https://www.zojirushi.com/app/product/smpb> (available at least as early as May 29, 2019).

Migo, “Enjoy Sport Water Bottle,” accessed on-line at: <https://www.pinterest.ru/pin/12666442685646757/> (available at least as early as May 29, 2019).

Coleman, “Switch SS,” accessed on-line at: [https://www.coleman.com/all-camp-kitchen/drinkware/switch-ss/col\\_2038485\\_pr/COL\\_2038485](https://www.coleman.com/all-camp-kitchen/drinkware/switch-ss/col_2038485_pr/COL_2038485) (available at least as early as May 29, 2019).

Corkcicle, "Classic Arctican," accessed on-line at: <https://corkcicle.com/products/classic-arctican?variant=475182759951> (available at least as early as May 29, 2019).

Ello, "Reflex Beverage Container," (1 page) (available at least as early as May 29, 2019).

\* cited by examiner

*Primary Examiner* — Michael A. Pratt

*Assistant Examiner* — Wendy L Arminio

(74) *Attorney, Agent, or Firm* — Barnes & Thornburg LLP

(57) **CLAIM**

We claim the ornamental design for a beverage container lid, as shown and described.

**DESCRIPTION**

FIG. 1 is a top perspective view of the beverage container lid according to the new design.

FIG. 2 is a bottom perspective view of the beverage container lid shown in FIG. 1.

FIG. 3 is a front elevation view of the beverage container lid shown in FIG. 1.

FIG. 4 is a rear elevation view of the beverage container lid shown in FIG. 1.

FIG. 5 is a right side elevation view of the beverage container lid shown in FIG. 1.

FIG. 6 is a left side elevation view of the beverage container lid shown in FIG. 1.

FIG. 7 is a top plan view of the beverage container lid shown in FIG. 1; and,

FIG. 8 is a bottom plan view of the beverage container lid shown in FIG. 1.

The broken lines illustrating a beverage container depict environment and form no part of the claimed design. All other broken lines depict portions of the beverage container lid that form no part of the claimed design.

**1 Claim, 8 Drawing Sheets**

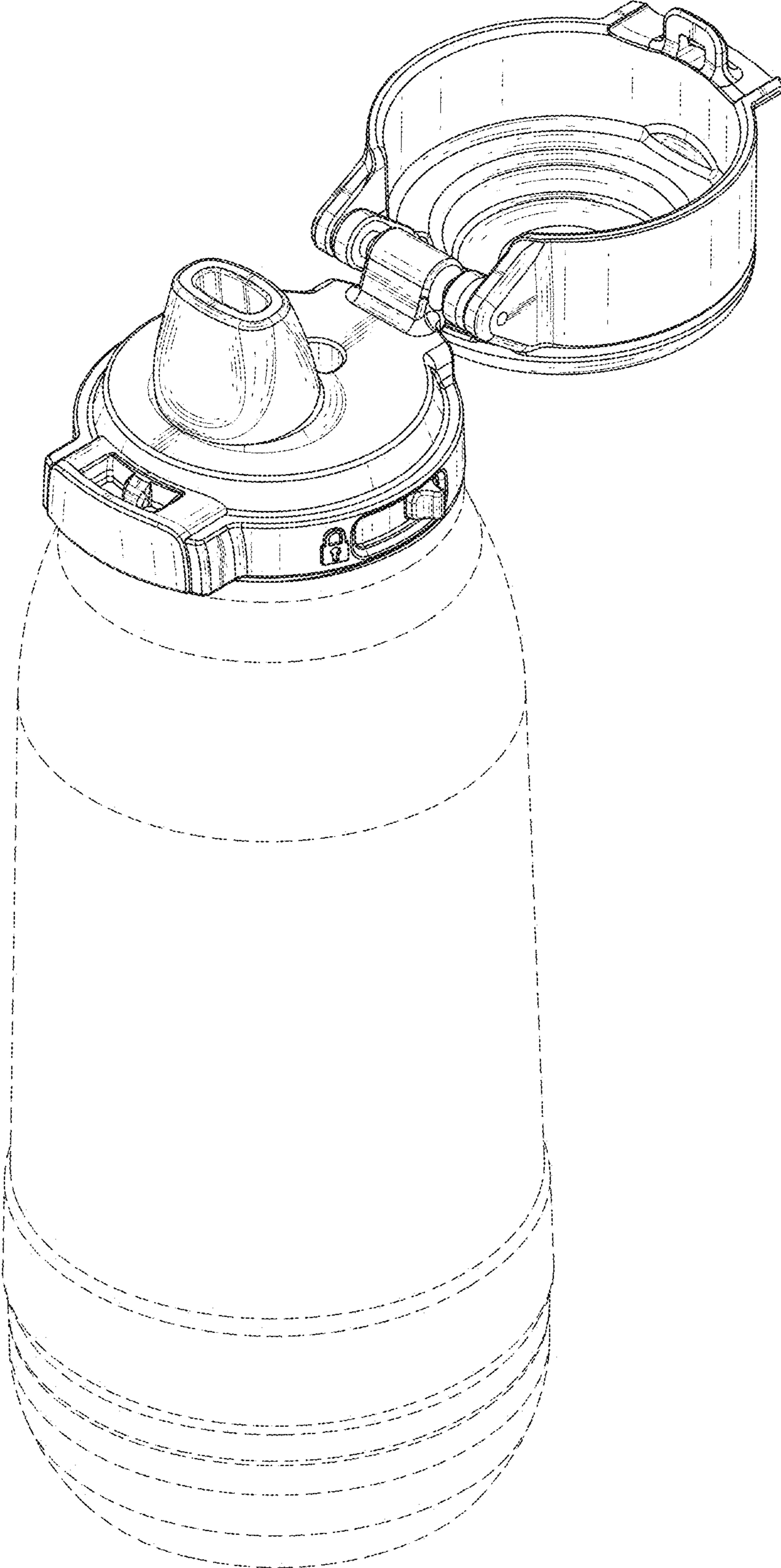


FIG. 1

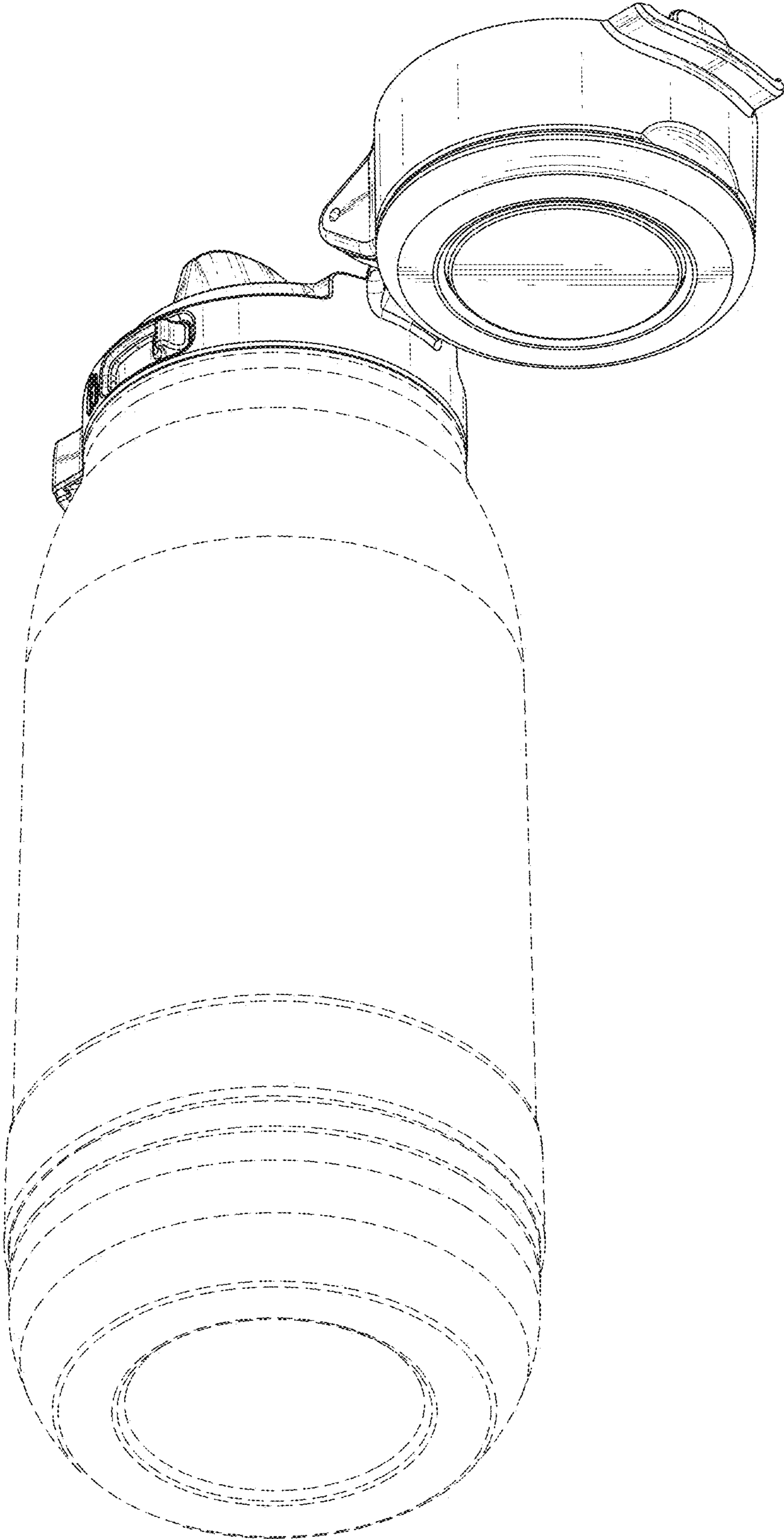


FIG. 2

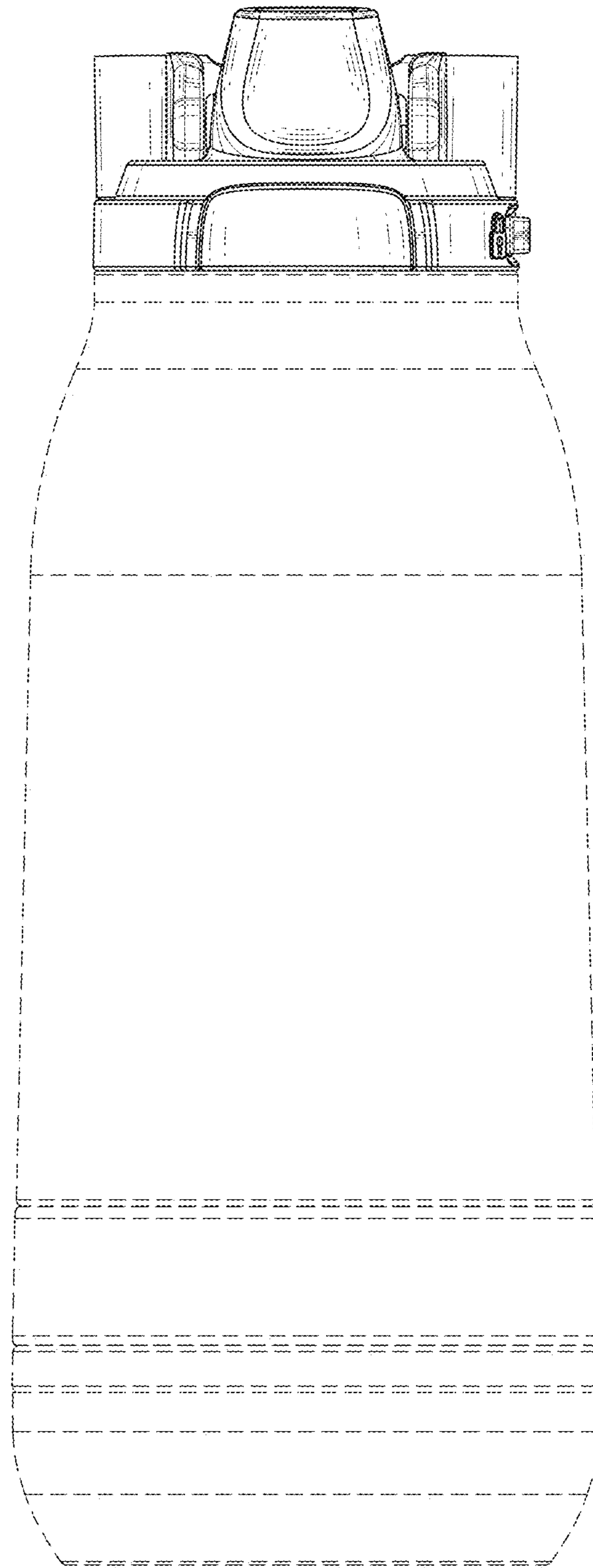


FIG. 3

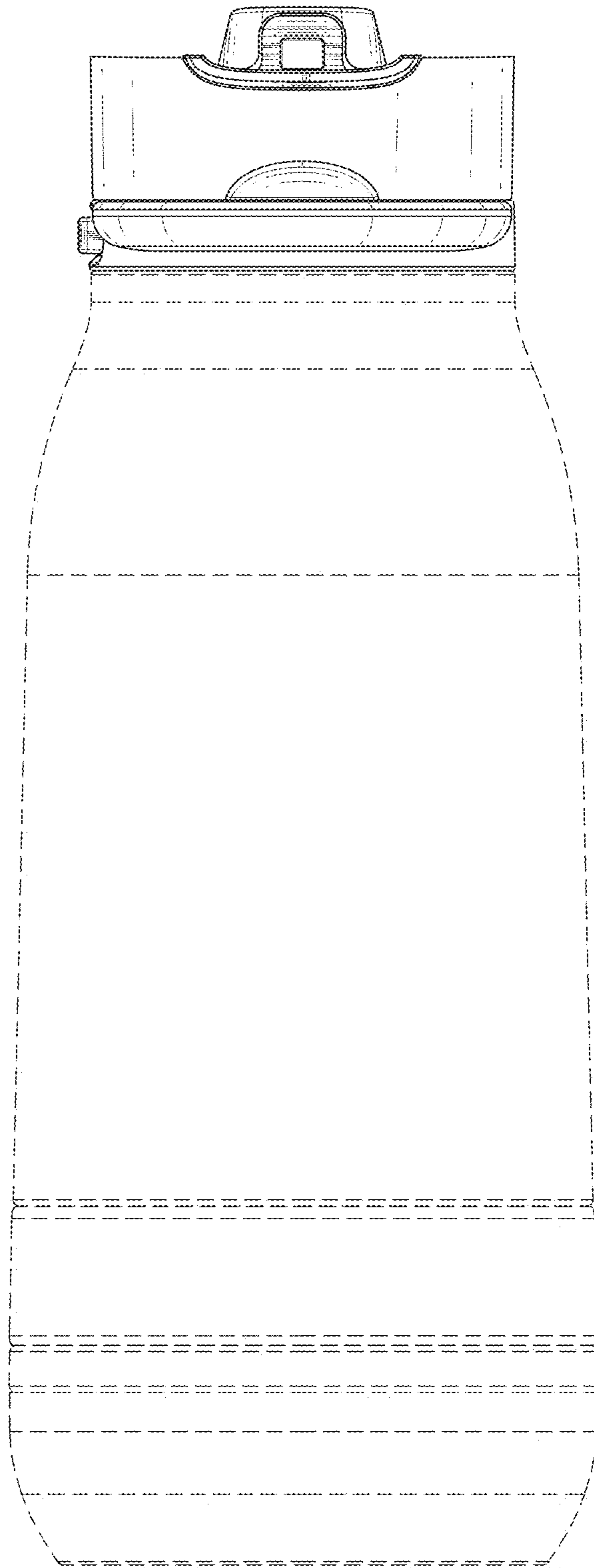


FIG. 4

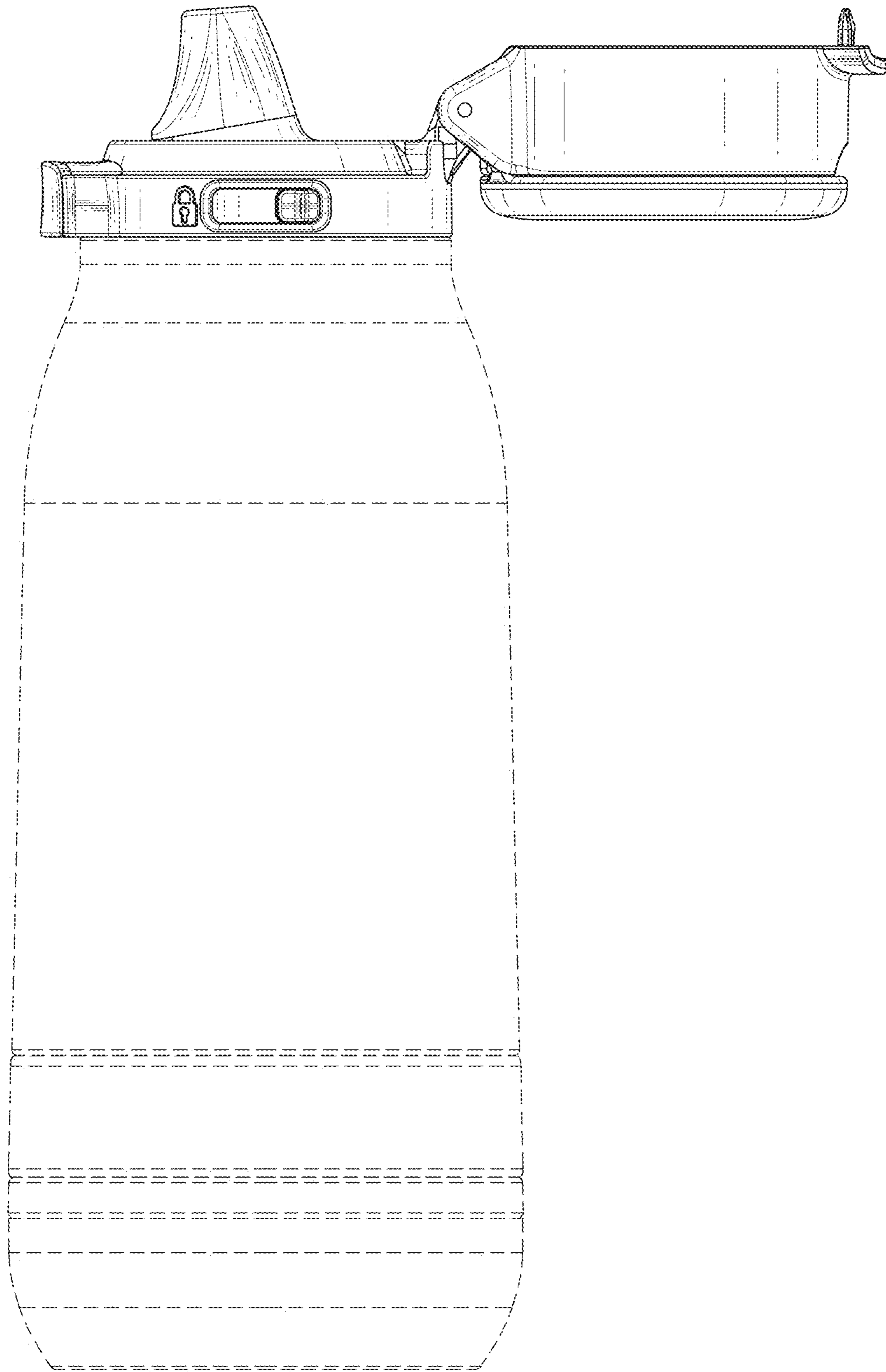


FIG. 5



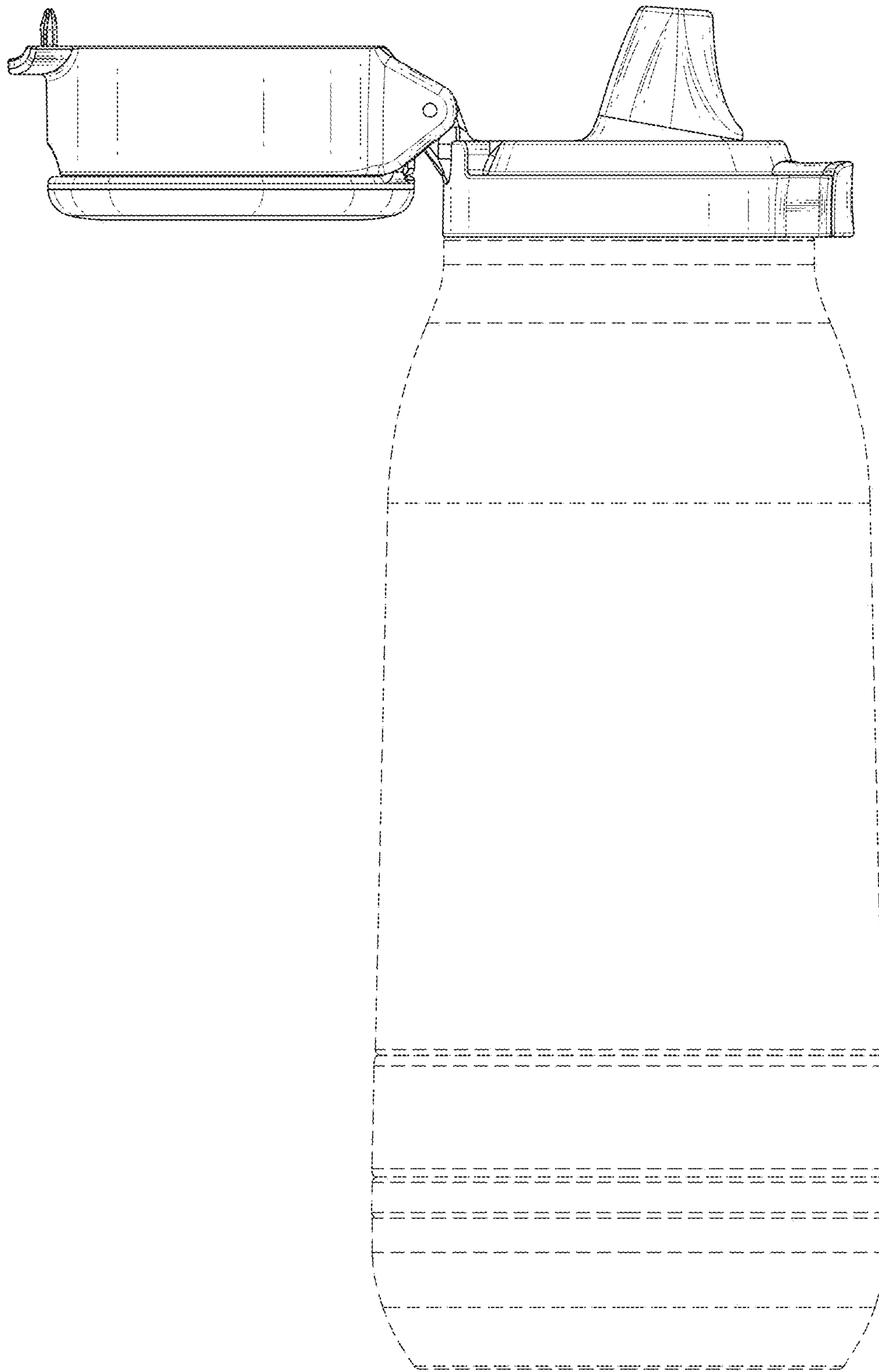


FIG. 6

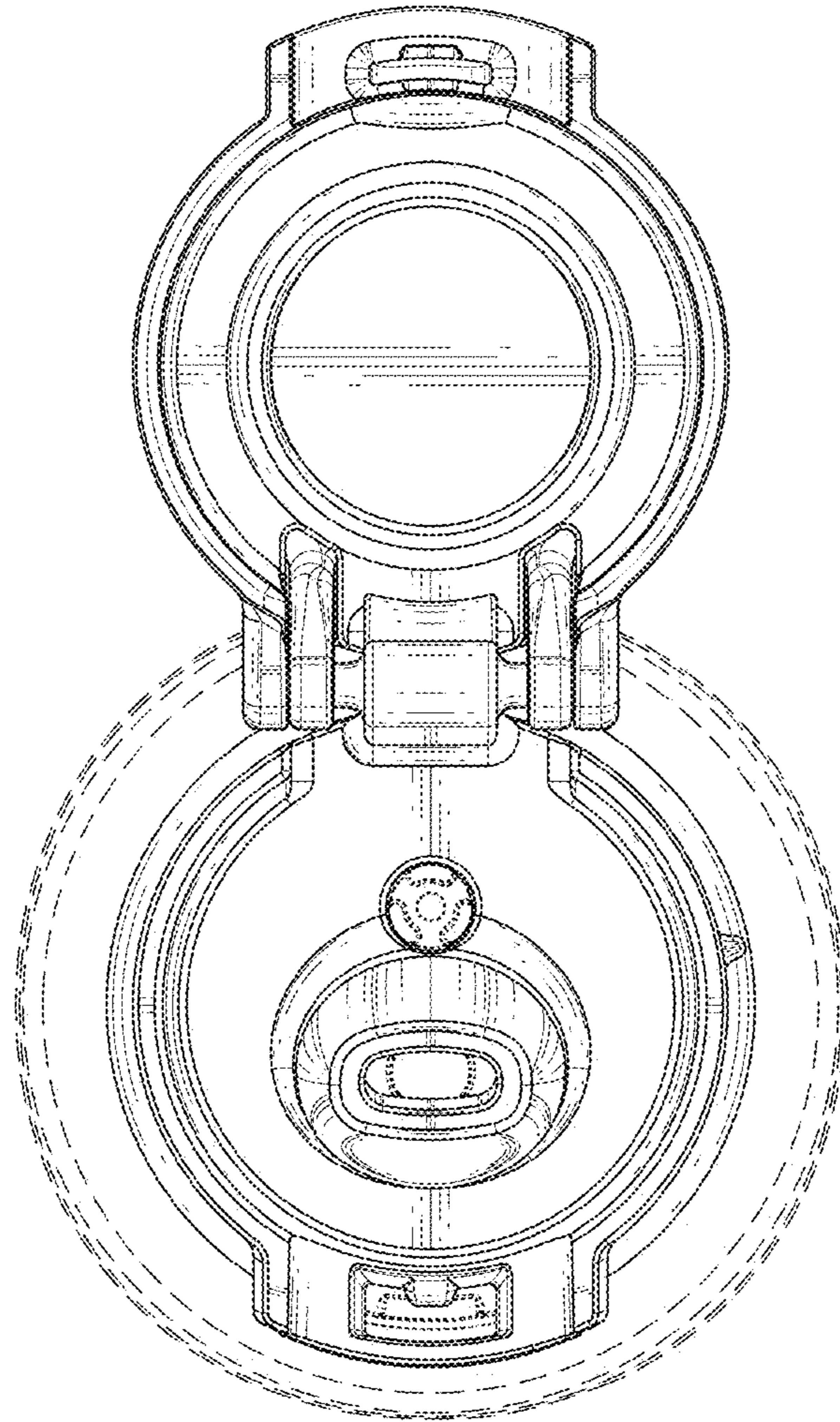


FIG. 7

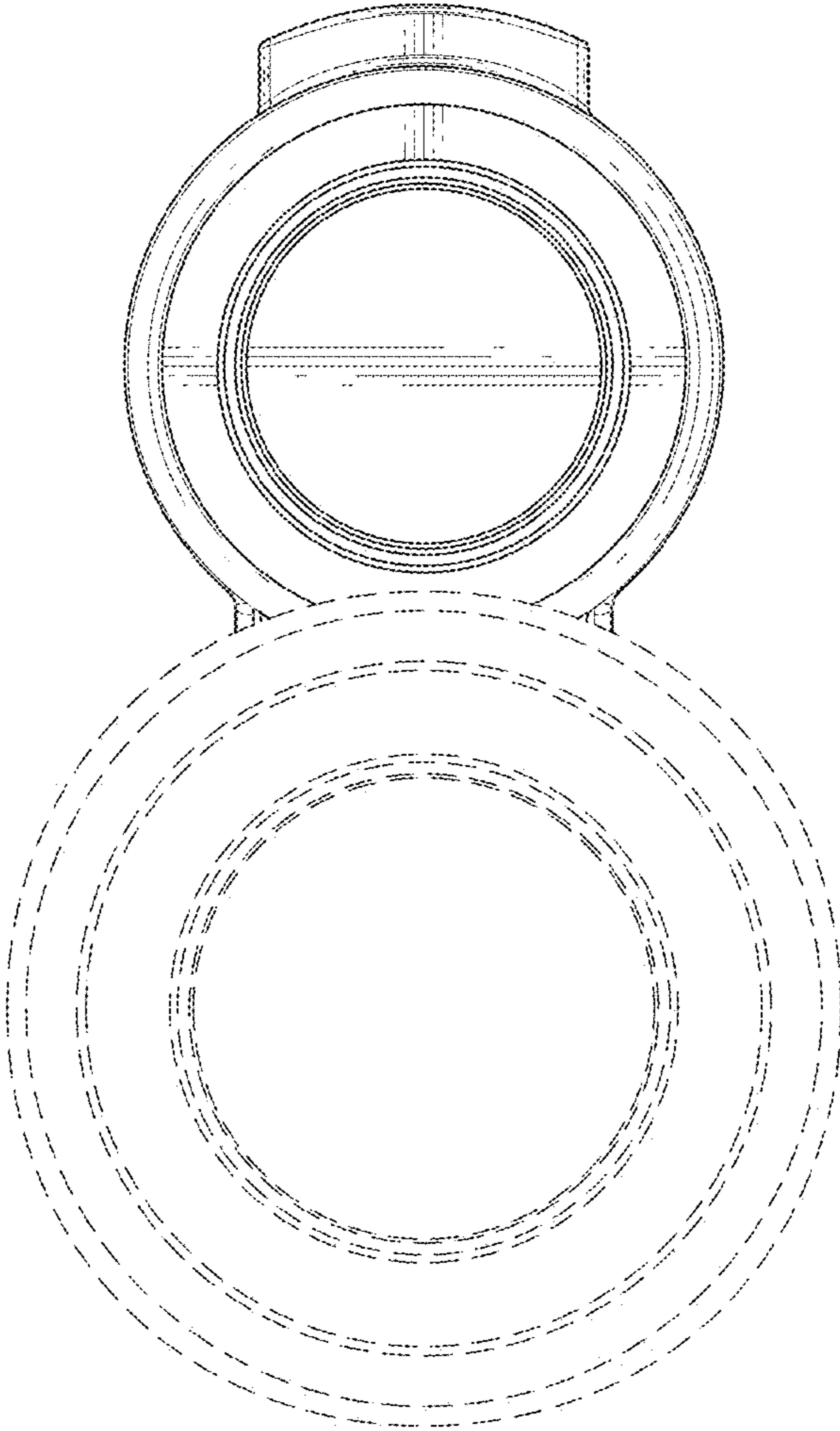


FIG. 8