



US00D903405S

(12) **United States Design Patent** (10) **Patent No.:** **US D903,405 S**
Zhang (45) **Date of Patent:** **** Dec. 1, 2020**

(54) **SPORTS DRINK BOTTLE CAP WITH A HANDLE**

(71) Applicant: **Yongkang Qiqing Industry and Trade Co., Ltd, Zhejiang (CN)**

(72) Inventor: **Bo Zhang, Gong County (CN)**

(**) Term: **15 Years**

(21) Appl. No.: **29/664,046**

(22) Filed: **Sep. 21, 2018**

(51) **LOC (12) Cl.** **07-99**

(52) **U.S. Cl.**
USPC **D7/392.1; D7/396.2; D9/443**

(58) **Field of Classification Search**
USPC D9/414, 434-436, 438-440, 443-457, D9/499, 503-505, 682, 685, 686; D7/387, 391, 392, 392.1, 396.2-396.4, D7/401.1, 507, 509-511, 538, 900; D3/202, 203.2, 318; D28/91.1
CPC .. A61J 1/00; A61J 1/1412; B65D 1/00; B65D 1/02; B65D 1/10; B65D 1/46; B65D 5/46; B65D 41/00; B65D 41/38; B65D 41/56; B65D 41/62; B65D 47/00; B65D 47/06; B65D 47/08; B65D 2251/00; B65D 2543/00046; B65D 2543/00092; B65D 2543/00296; B65D 2585/56; B65D 2585/545

See application file for complete search history.

(56) **References Cited**

U.S. PATENT DOCUMENTS

D165,653 S *	1/1952	Johnson	D9/443
D547,607 S	7/2007	Forsman		
D649,879 S *	12/2011	Gullickson	D9/443
D685,606 S *	7/2013	Keys	D7/392.1
D688,093 S *	8/2013	Roth	D7/392.1
D704,986 S *	5/2014	Manies	D7/392.1
D720,218 S *	12/2014	Hutson	D9/443

D729,569 S *	5/2015	Herbst	D7/392
D781,146 S *	3/2017	Seiders	D7/392.1
D786,012 S *	5/2017	Hein	D7/396.2
D799,320 S *	10/2017	Goodwin	D7/392.1
D802,993 S *	11/2017	Joseph	D7/392.1
D806,468 S *	1/2018	Goodwin	D7/392.1
D810,500 S *	2/2018	Maple	D7/392.1
D811,162 S *	2/2018	Rane	D7/396.2
D812,966 S *	3/2018	Murosky	D7/392.1
D814,855 S *	4/2018	Hammer	D7/392.1
D820,637 S *	6/2018	Davis	D7/392.1
D835,938 S *	12/2018	Zou	D7/392.1
D844,376 S *	4/2019	Rosette	D7/392.1
D855,388 S *	8/2019	Potter	D7/392.1
D856,066 S *	8/2019	Barber	D7/392.1
D856,748 S *	8/2019	Rane	D7/392.1
D857,446 S *	8/2019	Bell	D7/392.1

(Continued)

FOREIGN PATENT DOCUMENTS

JP D1636377 * 7/2019

Primary Examiner — Wendy L Arminio

(74) *Attorney, Agent, or Firm* — KA Filing LLC; Wayne V. Harper; Cynthia Flanigan

(57) **CLAIM**

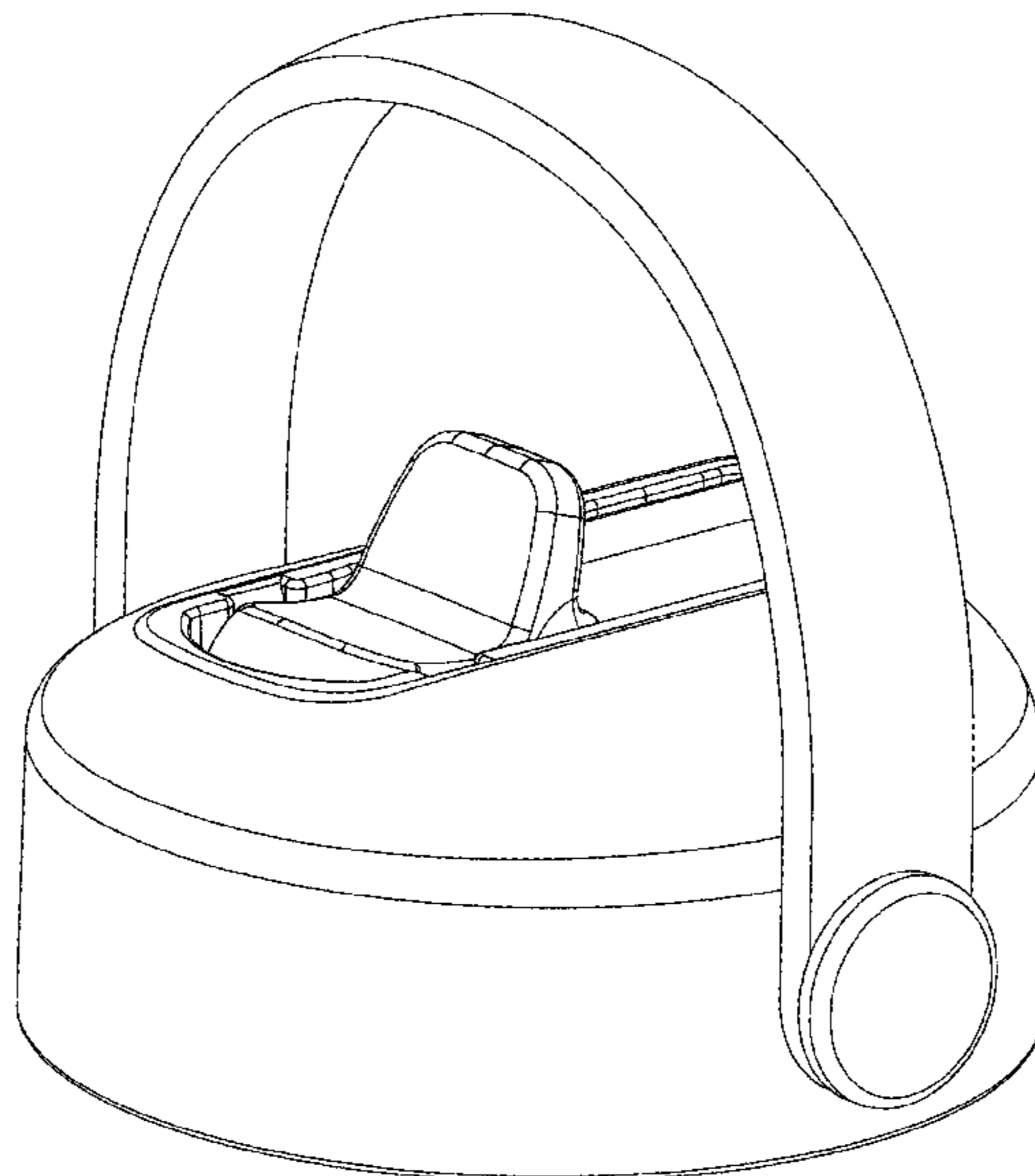
The ornamental design for a sports drink bottle cap with a handle, as shown and described.

DESCRIPTION

FIG. 1 is a bottom plan view of a sports drink bottle cap with a handle—showing my new design;
FIG. 2 is a top plan view thereof;
FIG. 3 is a left side elevation view thereof;
FIG. 4 is a right side elevation view thereof;
FIG. 5 is a rear elevation view thereof;
FIG. 6 is a front elevation view thereof; and
FIG. 7 is a perspective view thereof.

The broken lines depict portions of the sports drink bottle cap with a handle that form no part of the claimed design.

1 Claim, 7 Drawing Sheets



(56)

References Cited

U.S. PATENT DOCUMENTS

2006/0226110 A1* 10/2006 Choi A47G 19/2266
215/228
2016/0318693 A1* 11/2016 Hein B65D 41/0442
2017/0283132 A1* 10/2017 Sorensen A47G 19/00

* cited by examiner

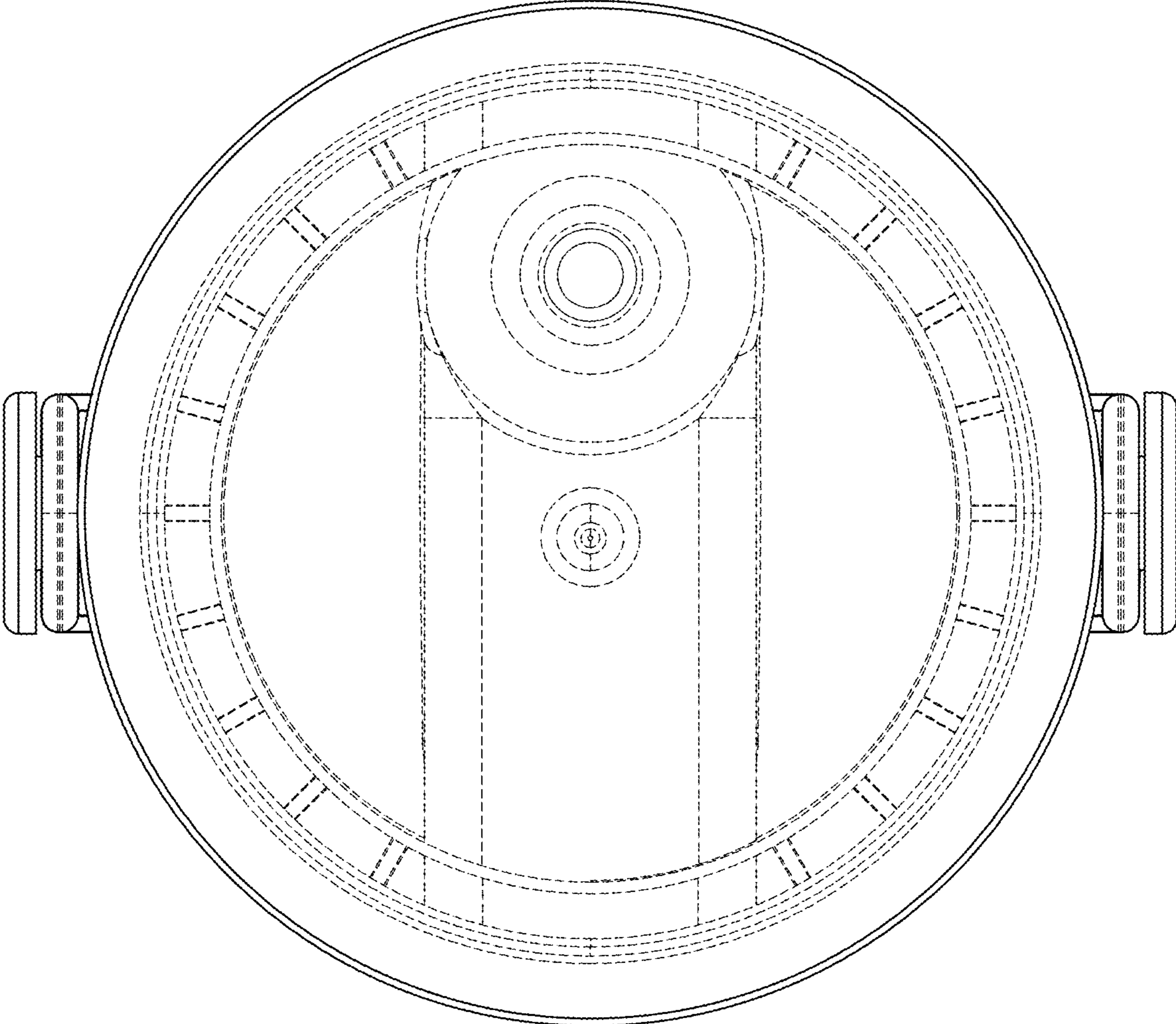


FIG. 1

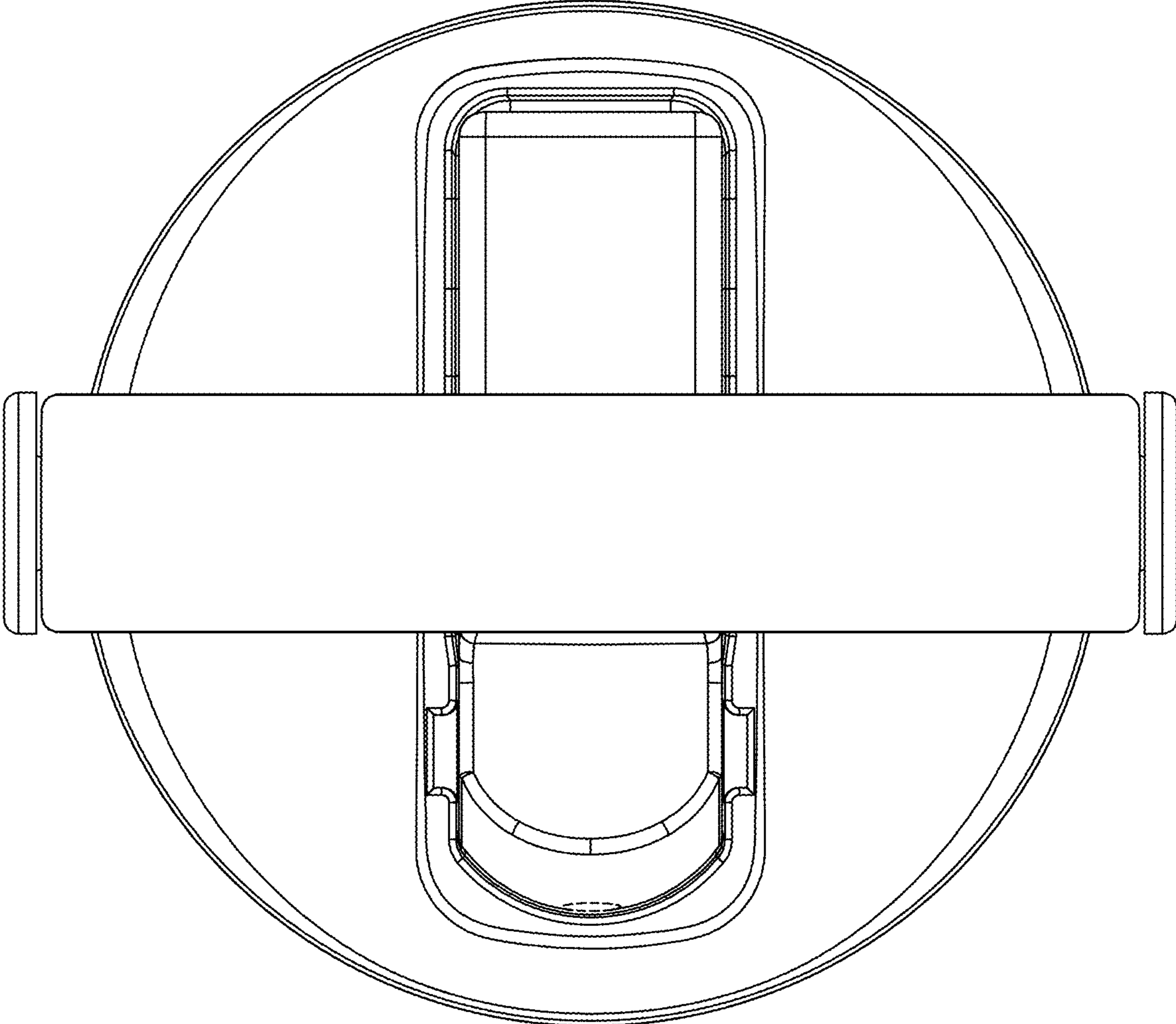


FIG. 2

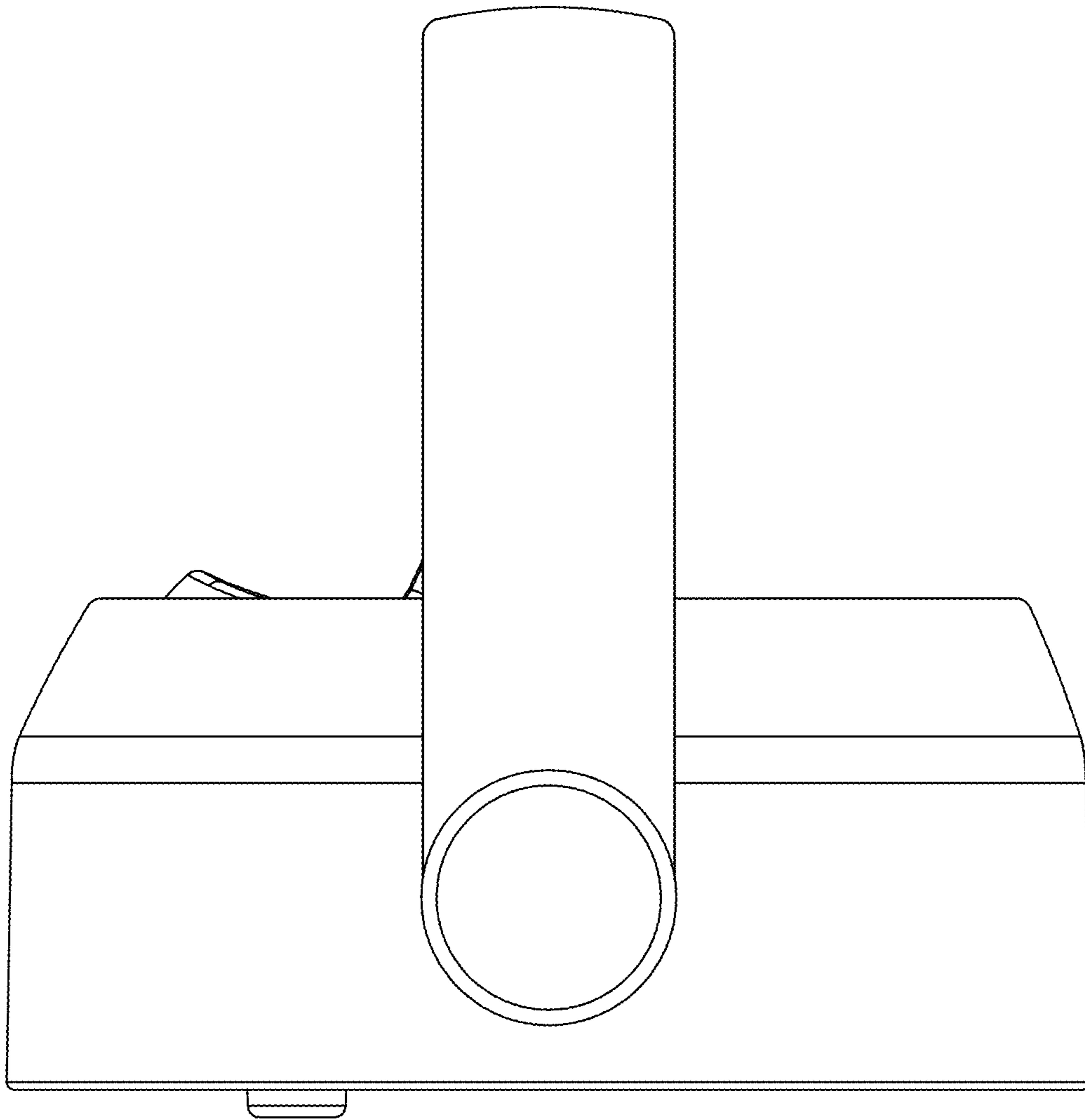


FIG. 3

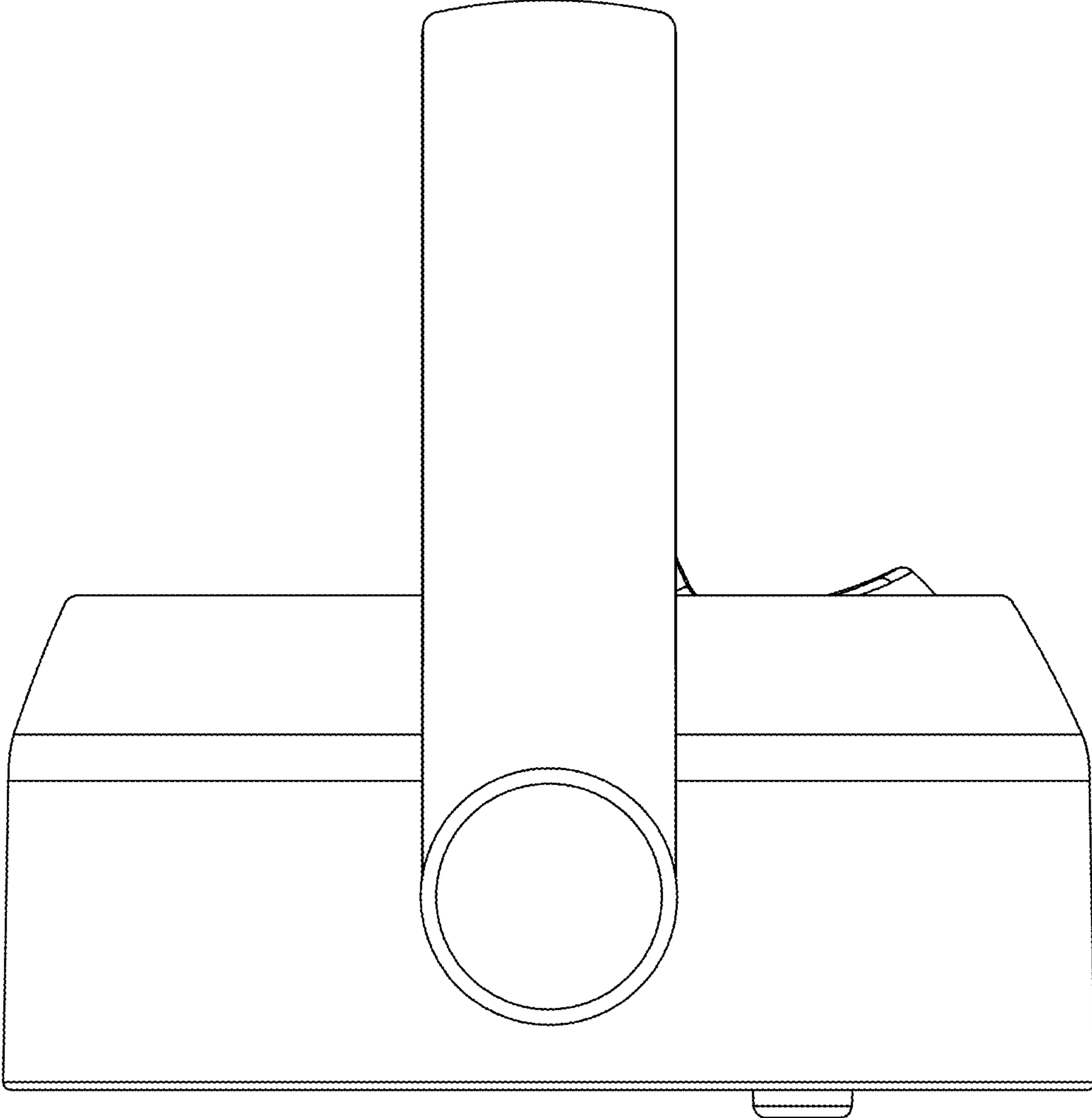


FIG. 4

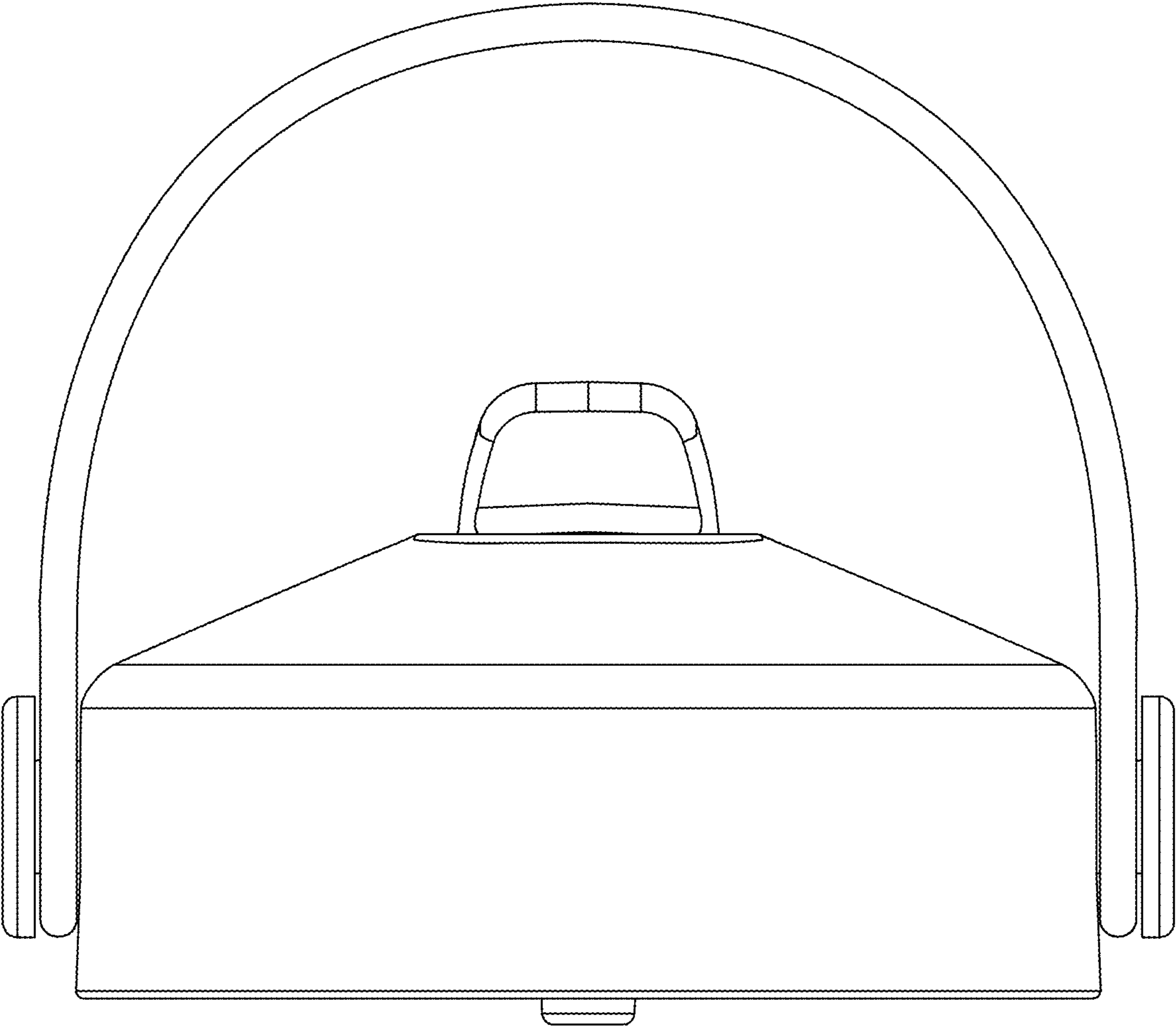


FIG. 5

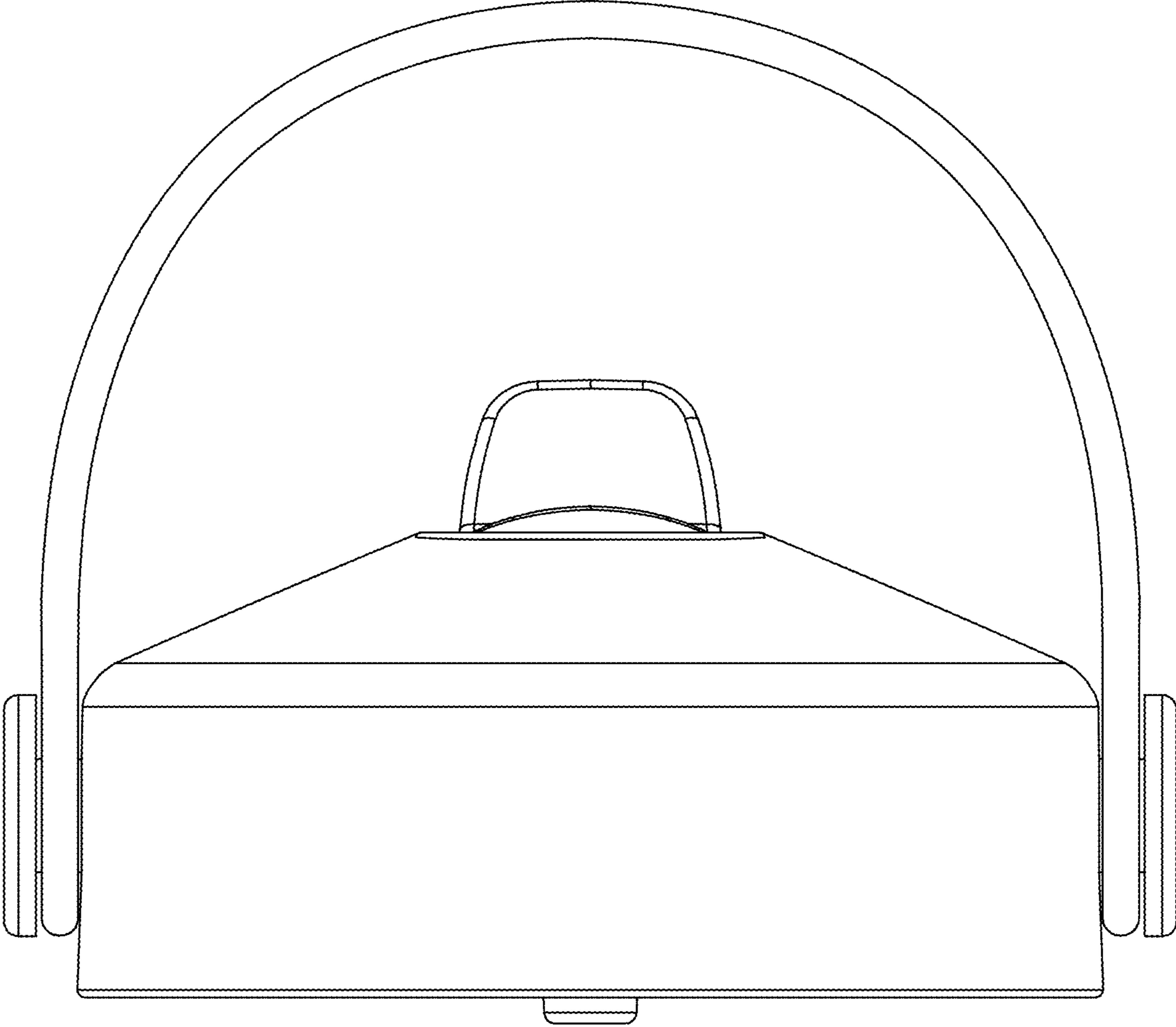


FIG. 6

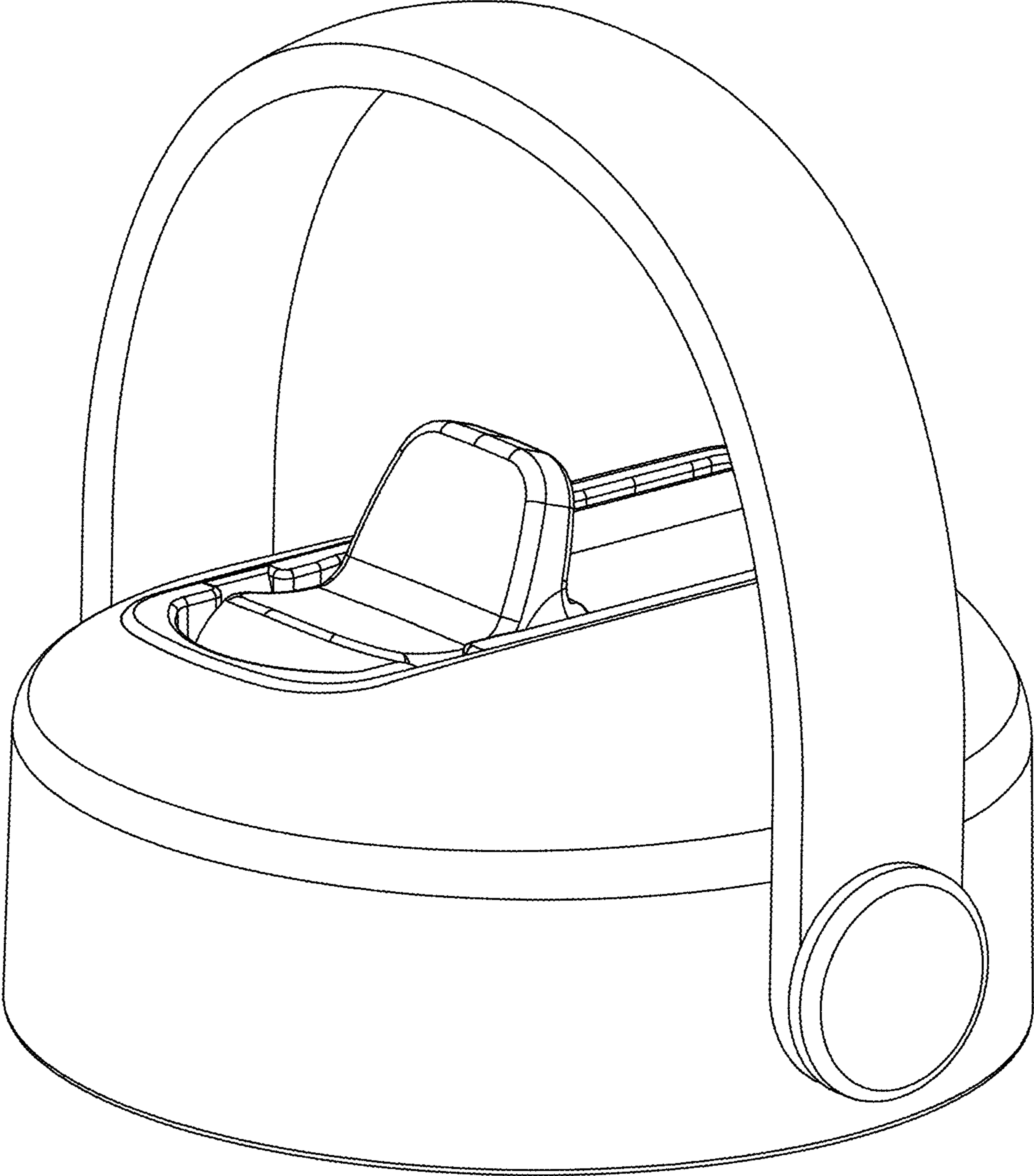


FIG. 7