



US00D903404S

(12) **United States Design Patent**  
**Bram**

(10) **Patent No.:** **US D903,404 S**

(45) **Date of Patent:** **\*\* Dec. 1, 2020**

(54) **LID**  
(71) Applicant: **BRUMIS IMPORTS, INC.**, New York,  
NY (US)  
(72) Inventor: **Steven Bram**, Brooklyn, NY (US)  
(73) Assignee: **Brumis Imports, Inc.**, New York, NY  
(US)

(\*\*) Term: **15 Years**

(21) Appl. No.: **29/601,214**

(22) Filed: **Apr. 20, 2017**

(51) **LOC (12) Cl.** ..... **07-99**

(52) **U.S. Cl.**  
USPC ..... **D7/392.1**; D9/443; D9/449; D7/396.2

(58) **Field of Classification Search**  
USPC ..... D9/428, 429, 432, 434, 435, 436, 439,  
D9/440, 443, 444, 445, 447, 449-455,  
D9/499, 500, 503, 504, 705; D7/317,  
D7/387, 391, 392, 392.1, 393, 396.1,  
D7/396.2, 509-511, 538, 900; D3/202,  
D3/203.2, 294, 302, 318; D28/91  
CPC .. A61J 1/00; A61J 1/1412; B65D 1/00; B65D  
1/02; B65D 1/10; B65D 1/46; B65D  
2585/56; B65D 2585/545; B65D 41/00;  
B65D 41/38; B65D 41/56; B65D 41/62;  
B65D 47/00; B65D 47/06; B65D 47/08;  
B65D 2543/00046; B65D 2543/00092;  
B65D 2543/00296; B65D 5/46; B65D  
2251/00

See application file for complete search history.

(56) **References Cited**

**U.S. PATENT DOCUMENTS**

D691,849 S \* 10/2013 Cetera ..... D7/392.1  
D719,780 S \* 12/2014 Sullivan ..... D7/392.1  
D726,476 S \* 4/2015 Ercanbrack ..... D7/300.1

D741,637 S \* 10/2015 Palermo ..... D7/300.1  
D751,344 S \* 3/2016 Charlton ..... D7/300.1  
D768,491 S \* 10/2016 Sorensen ..... D7/392.1  
D772,652 S \* 11/2016 Yao ..... D7/510  
D780,516 S \* 3/2017 Cornelius ..... D7/510  
D783,402 S \* 4/2017 Martini ..... D9/434  
D792,216 S \* 7/2017 Breit ..... D9/443  
D807,110 S \* 1/2018 Lown ..... D7/391

(Continued)

*Primary Examiner* — Michael A. Pratt

*Assistant Examiner* — Wendy L Arminio

(74) *Attorney, Agent, or Firm* — Amster, Rothstein &  
Ebenstein LLP

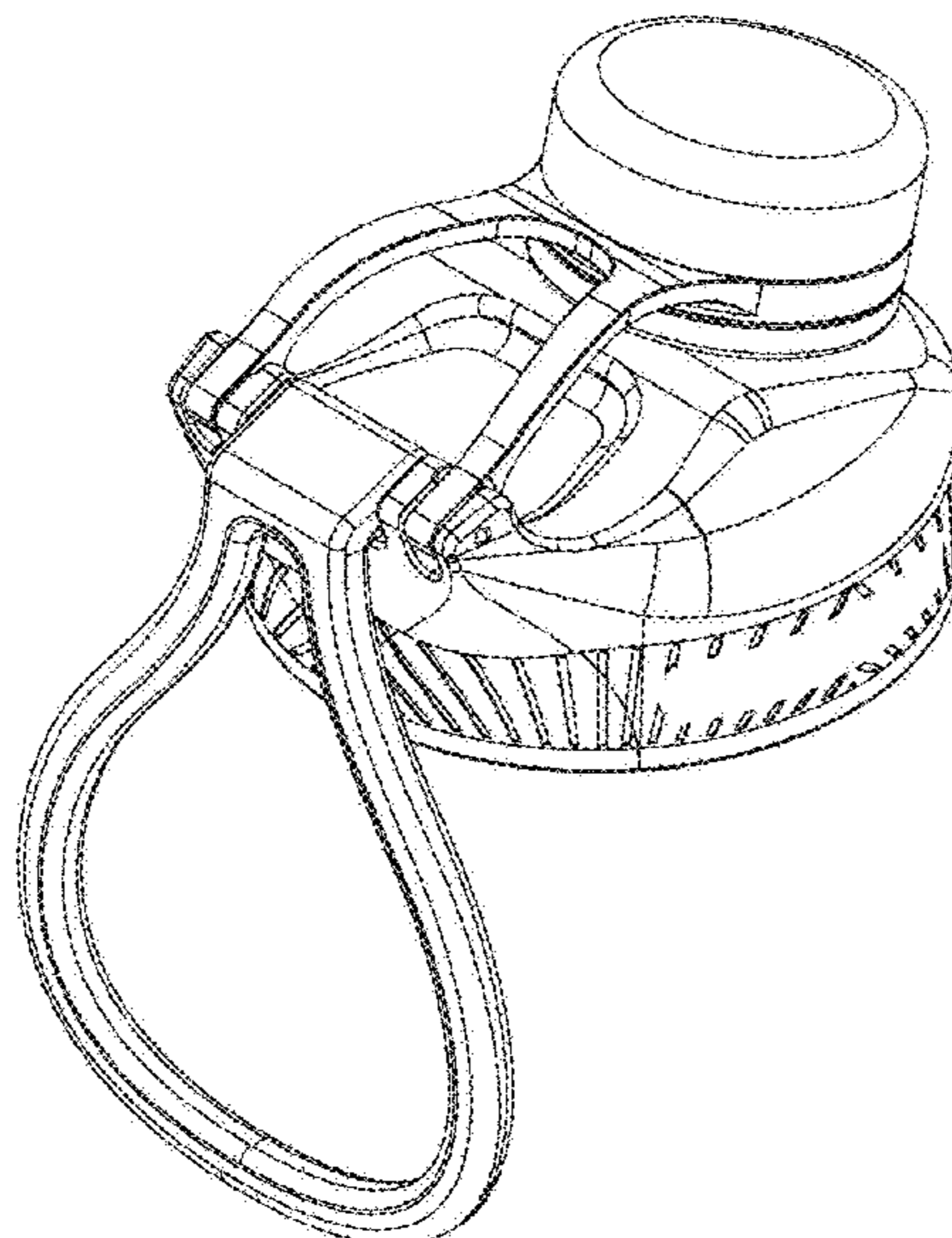
(57) **CLAIM**

The ornamental design for a lid, as shown and described.

**DESCRIPTION**

FIG. 1 is an elevated perspective view of a lid according to my new design, shown in a closed configuration;  
FIG. 2 is a top plan view thereof;  
FIG. 3 is a side perspective view thereof;  
FIG. 4 is a left side view thereof;  
FIG. 5 is a front view thereof, the rear view being a mirror image of the front view;  
FIG. 6 is a right side view thereof;  
FIG. 7 is a bottom perspective view thereof;  
FIG. 8 is another elevated perspective view of a lid according to my new design, shown in an open configuration;  
FIG. 9 is another elevated perspective view thereof;  
FIG. 10 is a left side view thereof;  
FIG. 11 is a front view thereof, the rear view being a mirror image of the front view;  
FIG. 12 is a right side view thereof;  
FIG. 13 is a bottom perspective view thereof;  
FIG. 14 is a bottom plan view thereof; and,  
FIG. 15 is another bottom perspective view thereof.  
The broken lines in the figures depict portions of the lid that form no part of the claimed design.

**1 Claim, 15 Drawing Sheets**



(56)

**References Cited**

U.S. PATENT DOCUMENTS

|              |      |        |                |                         |
|--------------|------|--------|----------------|-------------------------|
| D813,668     | S *  | 3/2018 | Miller .....   | D9/446                  |
| D816,397     | S *  | 5/2018 | Karl, IV ..... | D7/392.1                |
| D817,084     | S *  | 5/2018 | Hammer .....   | D7/392.1                |
| D817,085     | S *  | 5/2018 | Davis .....    | D7/392.1                |
| D818,774     | S *  | 5/2018 | Stover .....   | D7/510                  |
| D824,721     | S *  | 8/2018 | Hu .....       | D7/392.1                |
| D828,722     | S *  | 9/2018 | Davis .....    | D7/510                  |
| D843,778     | S *  | 3/2019 | Yao .....      | D7/392.1                |
| 2009/0236341 | A1 * | 9/2009 | McKinney ..... | A47G 19/2266<br>220/375 |
| 2010/0224631 | A1 * | 9/2010 | Roth .....     | B65D 45/025<br>220/288  |

\* cited by examiner

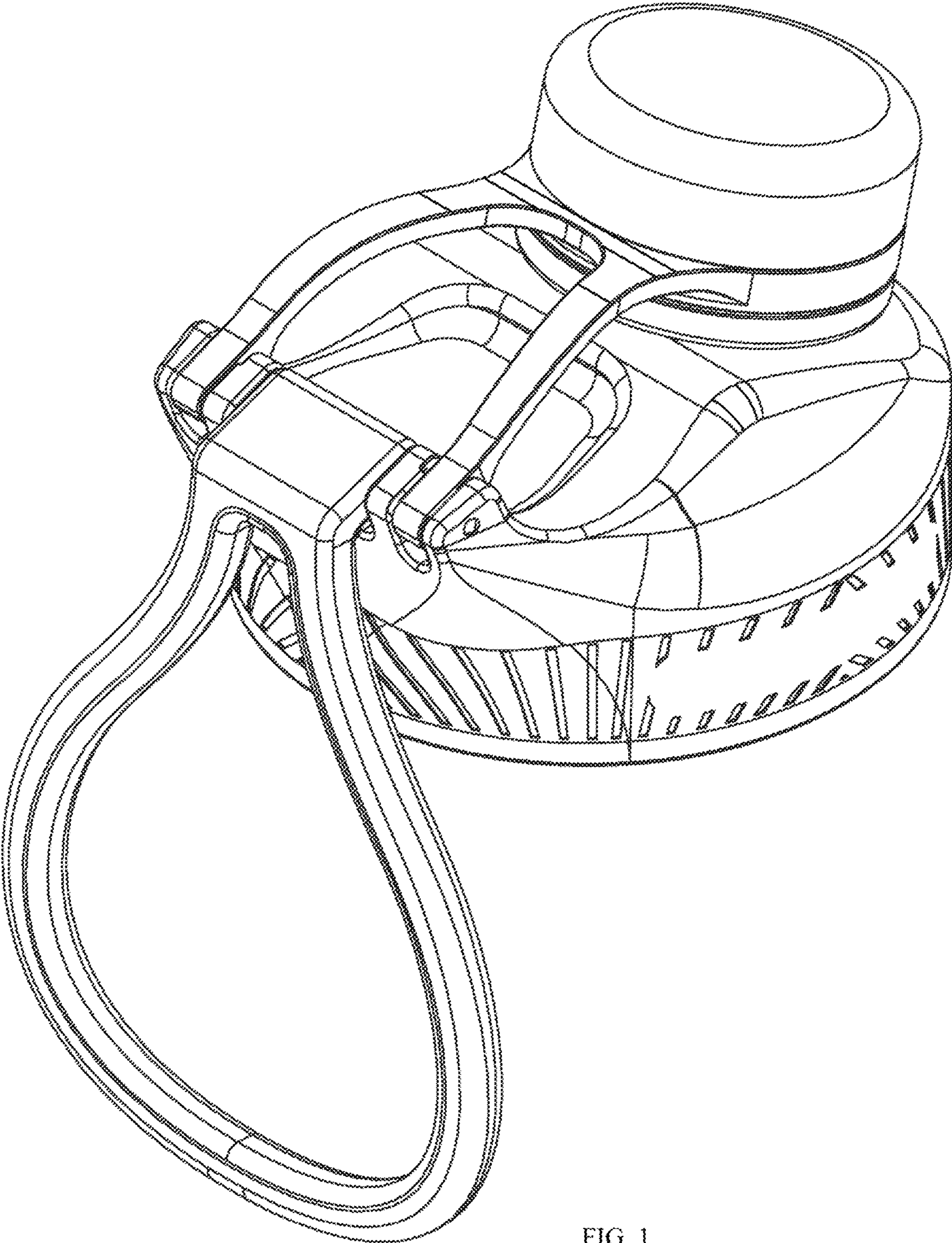


FIG. 1



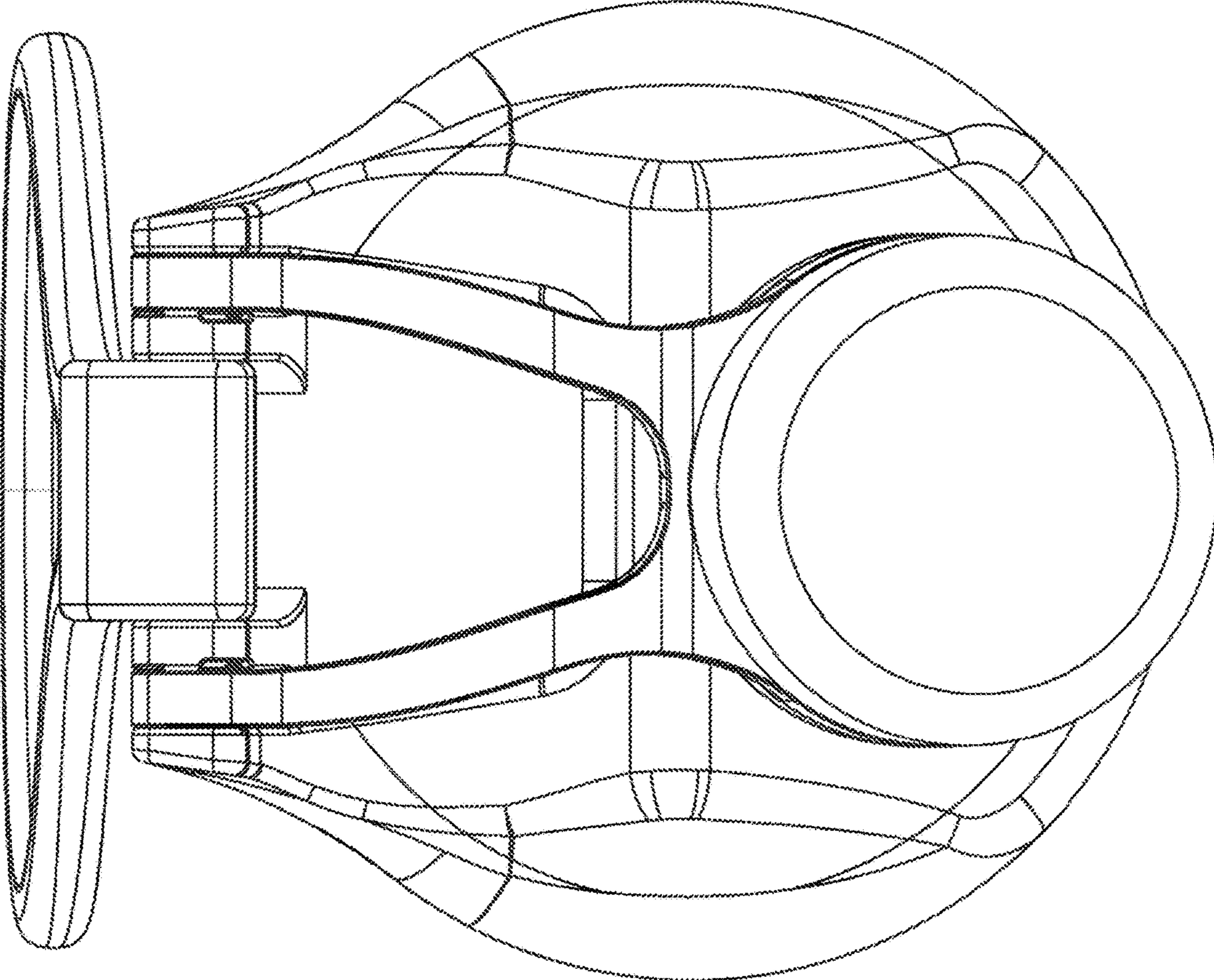


FIG. 2

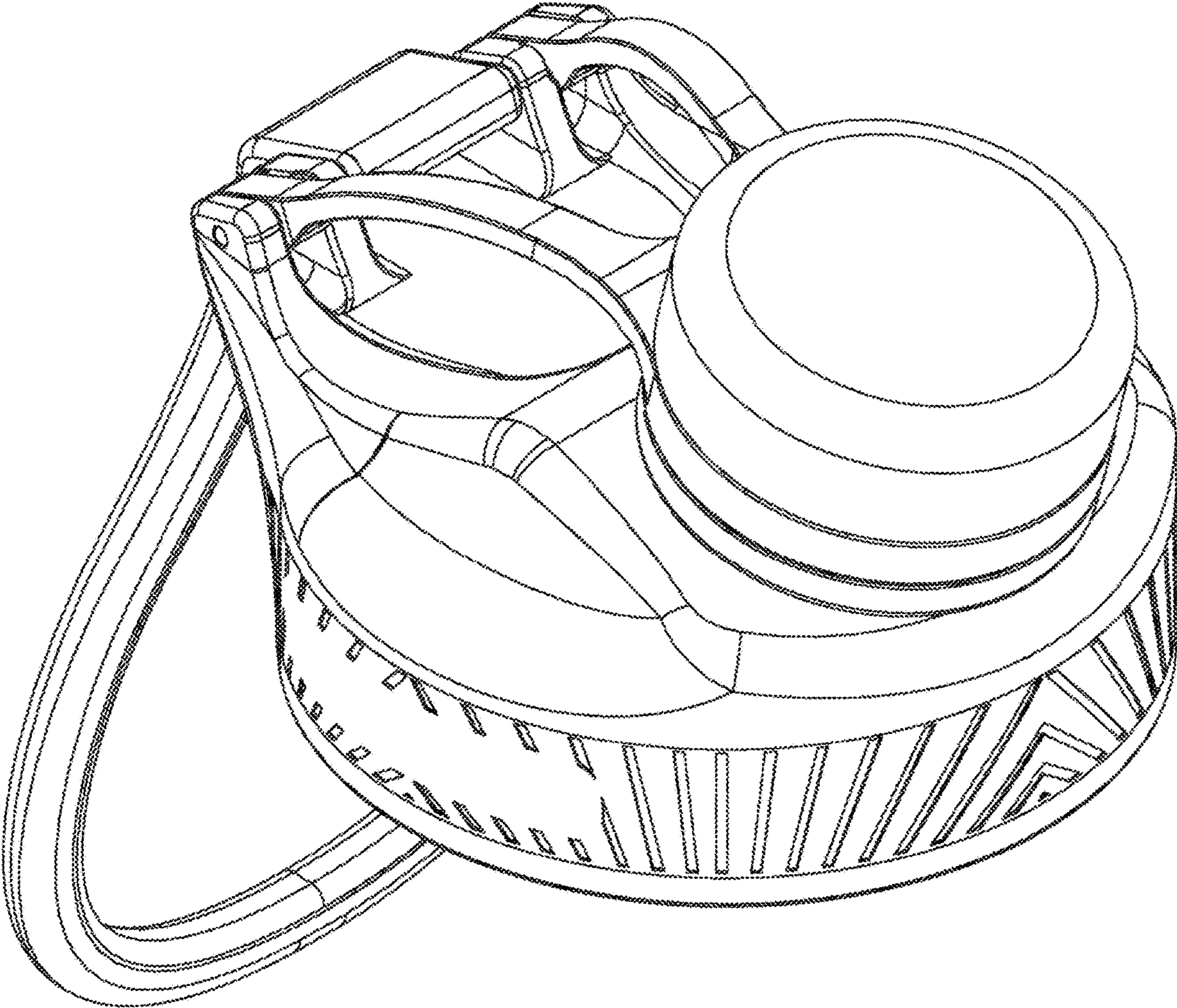


FIG. 3



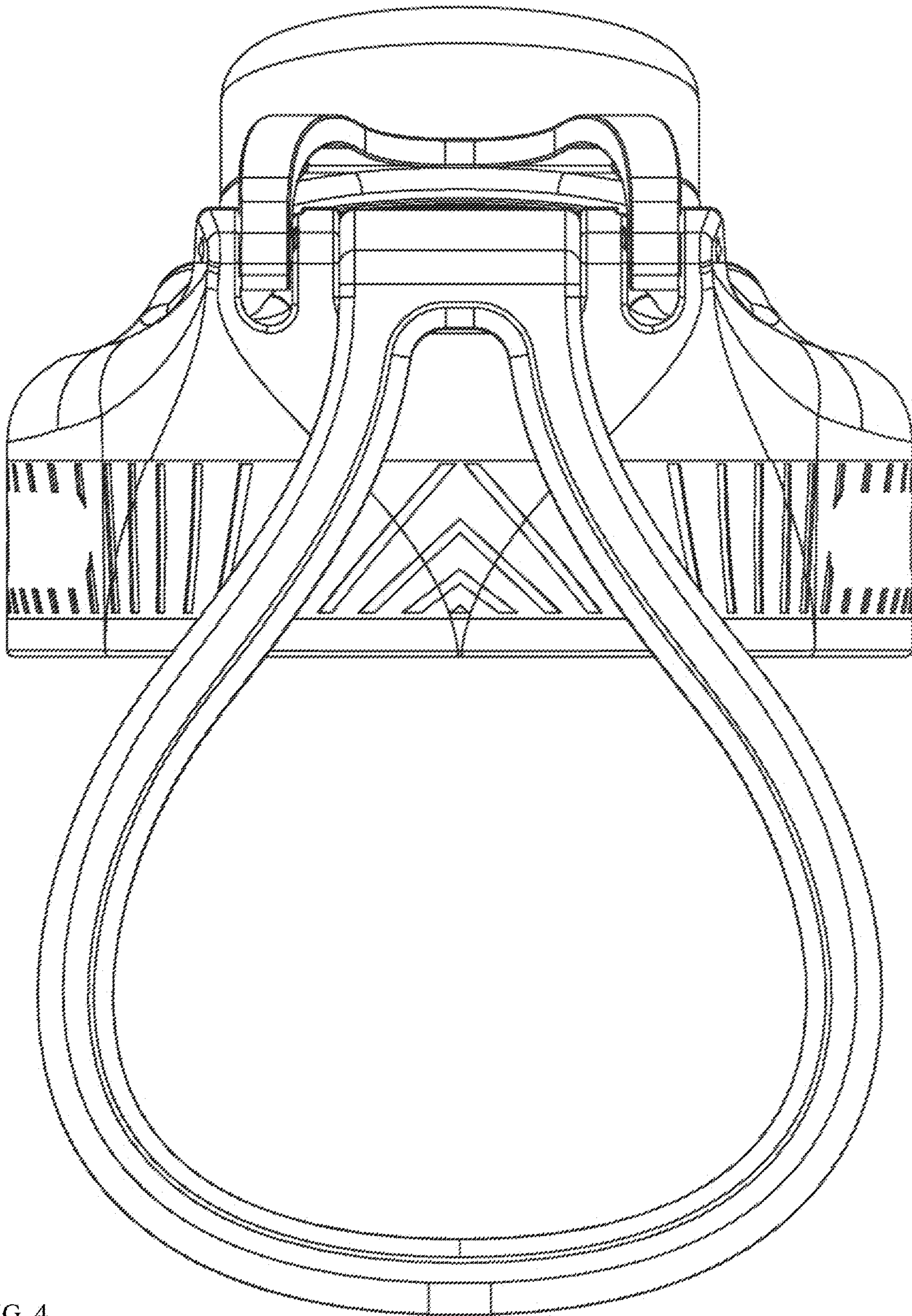


FIG. 4

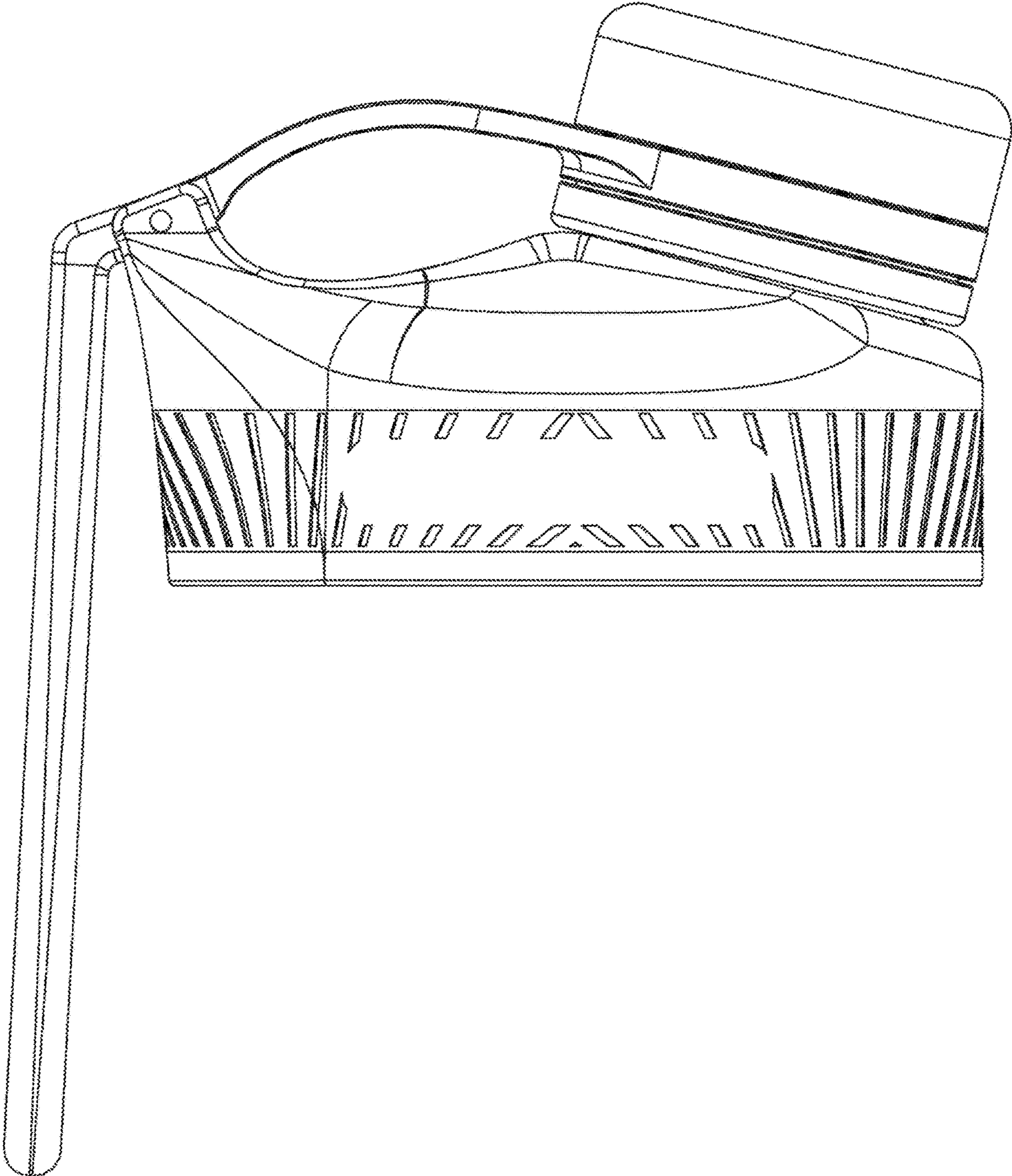


FIG. 5



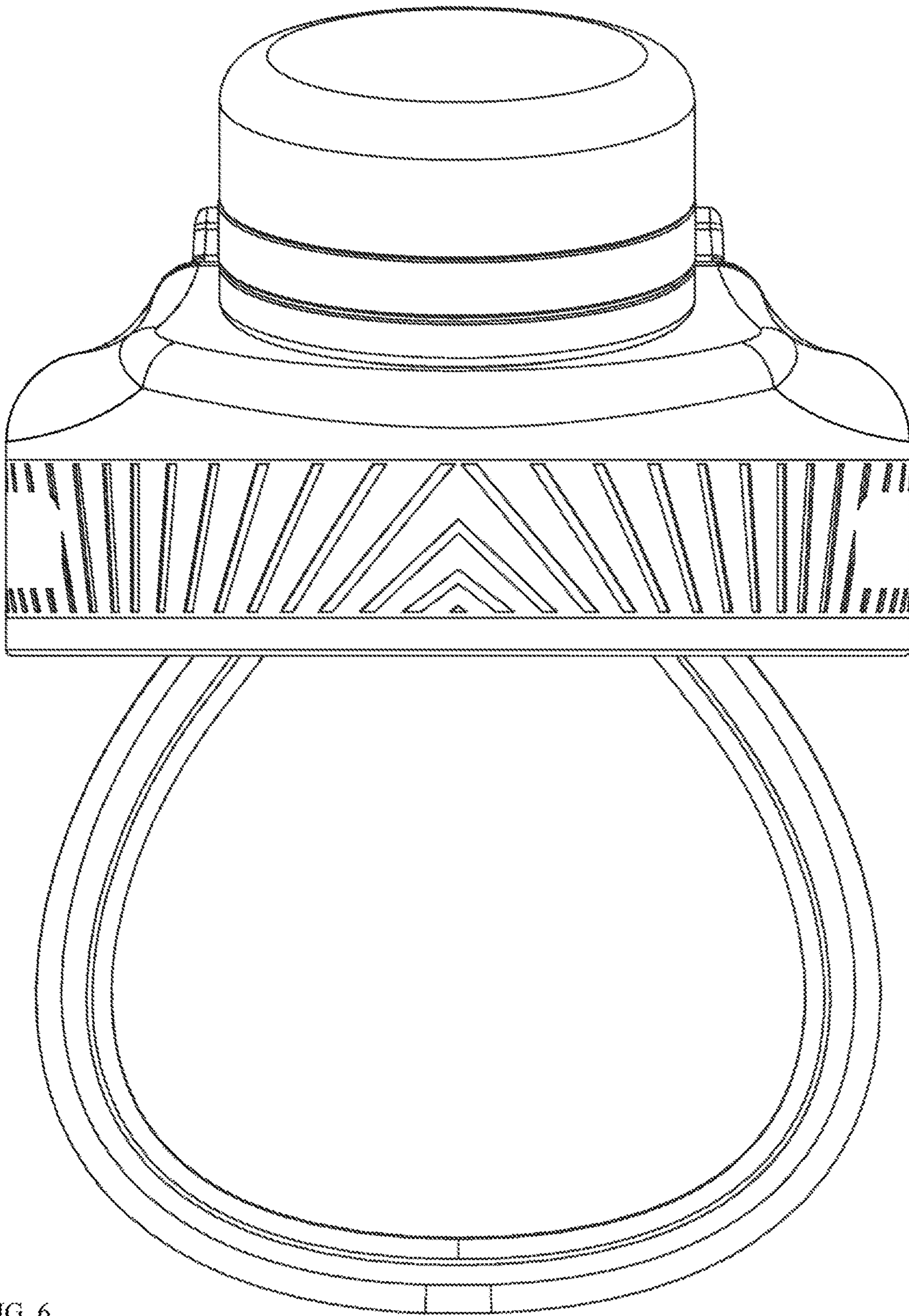


FIG. 6



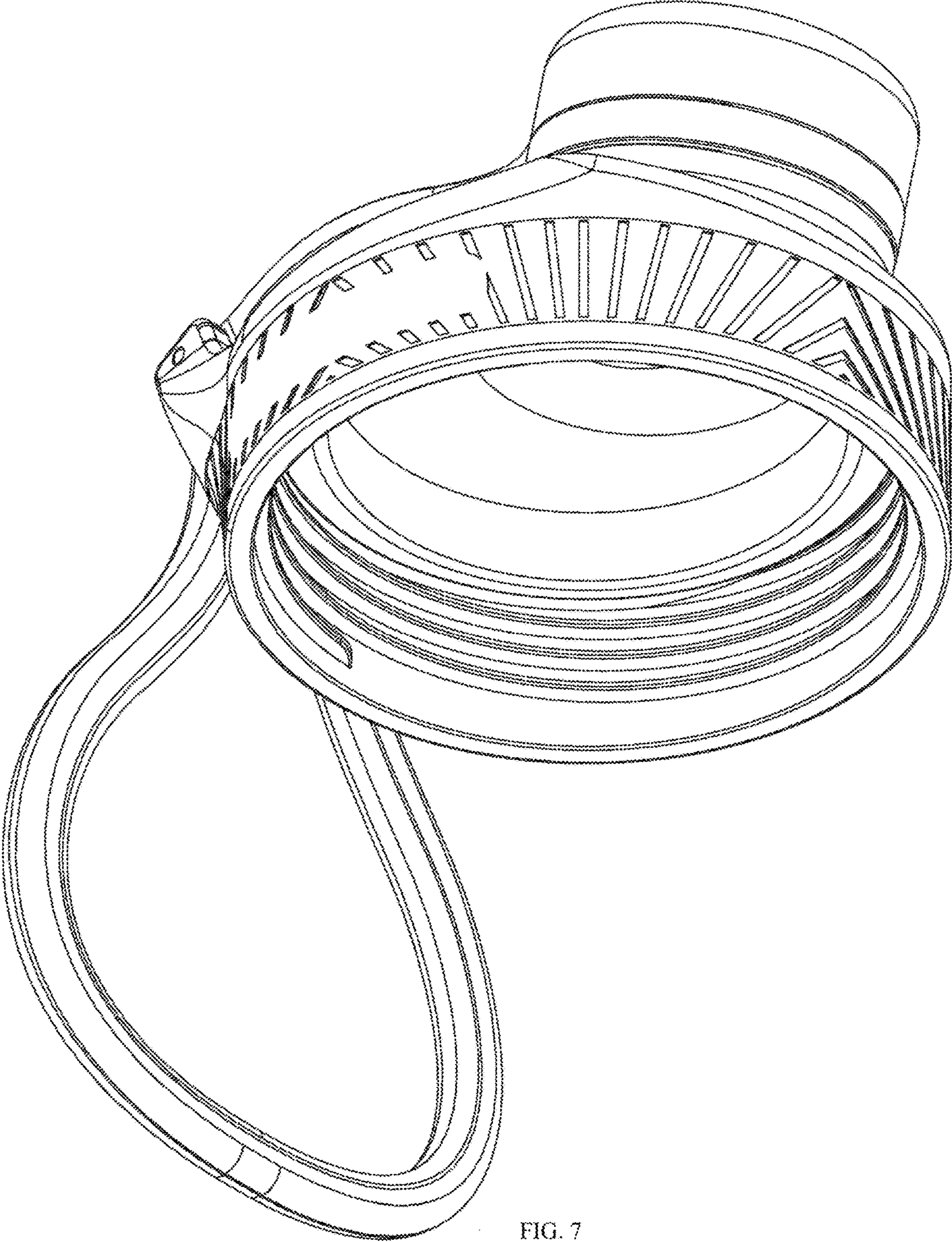


FIG. 7

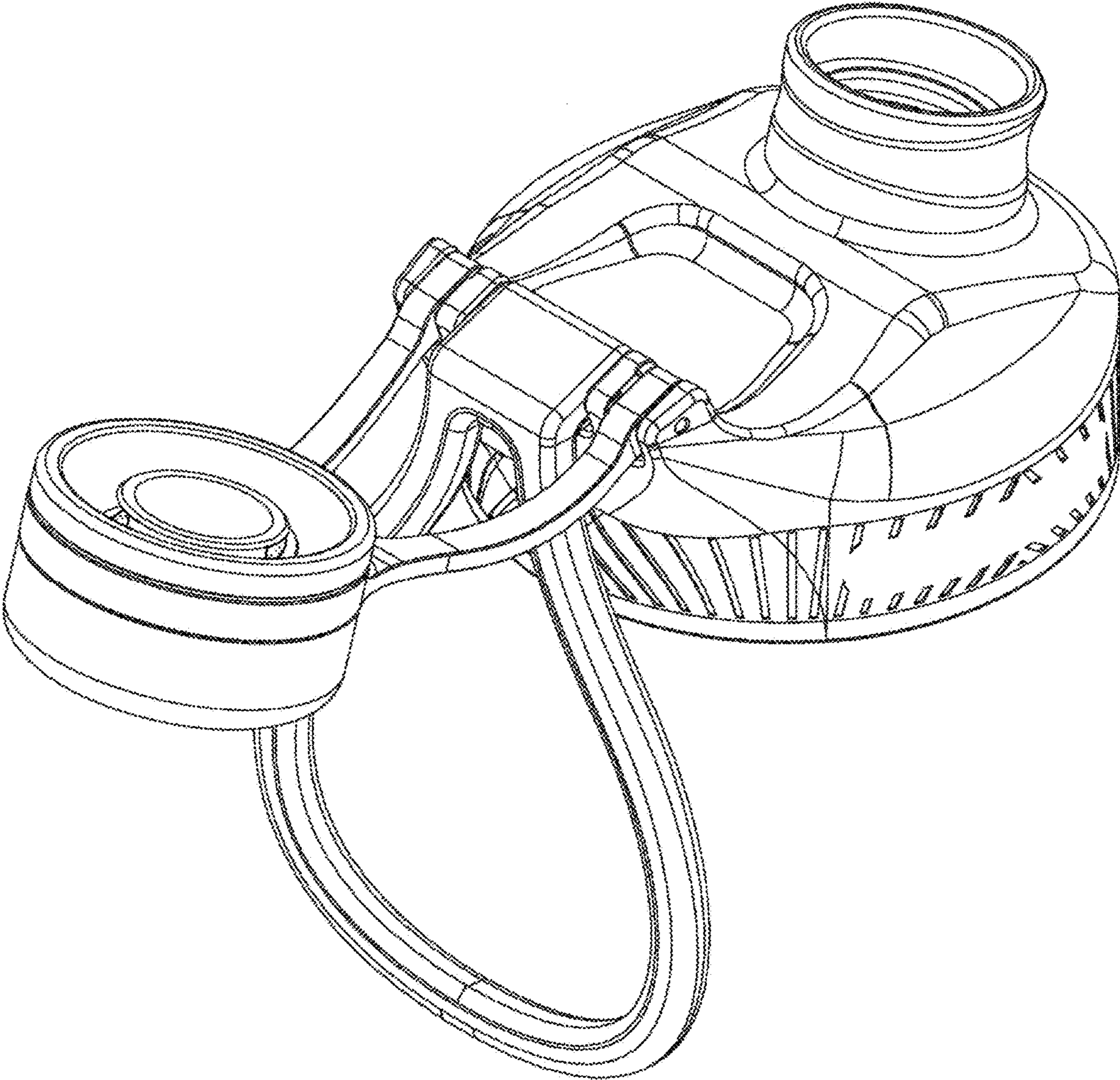


FIG. 8



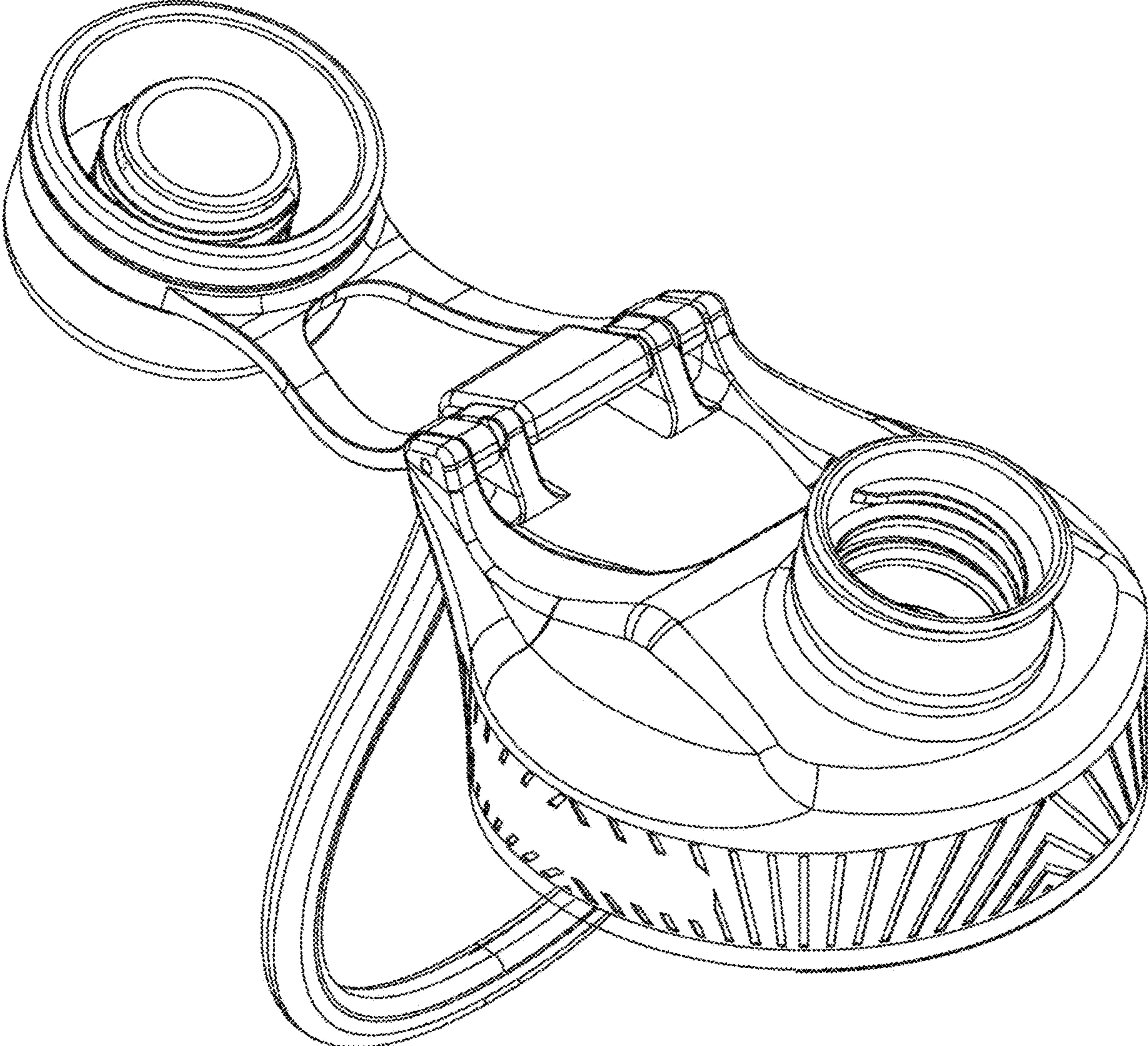


FIG. 9

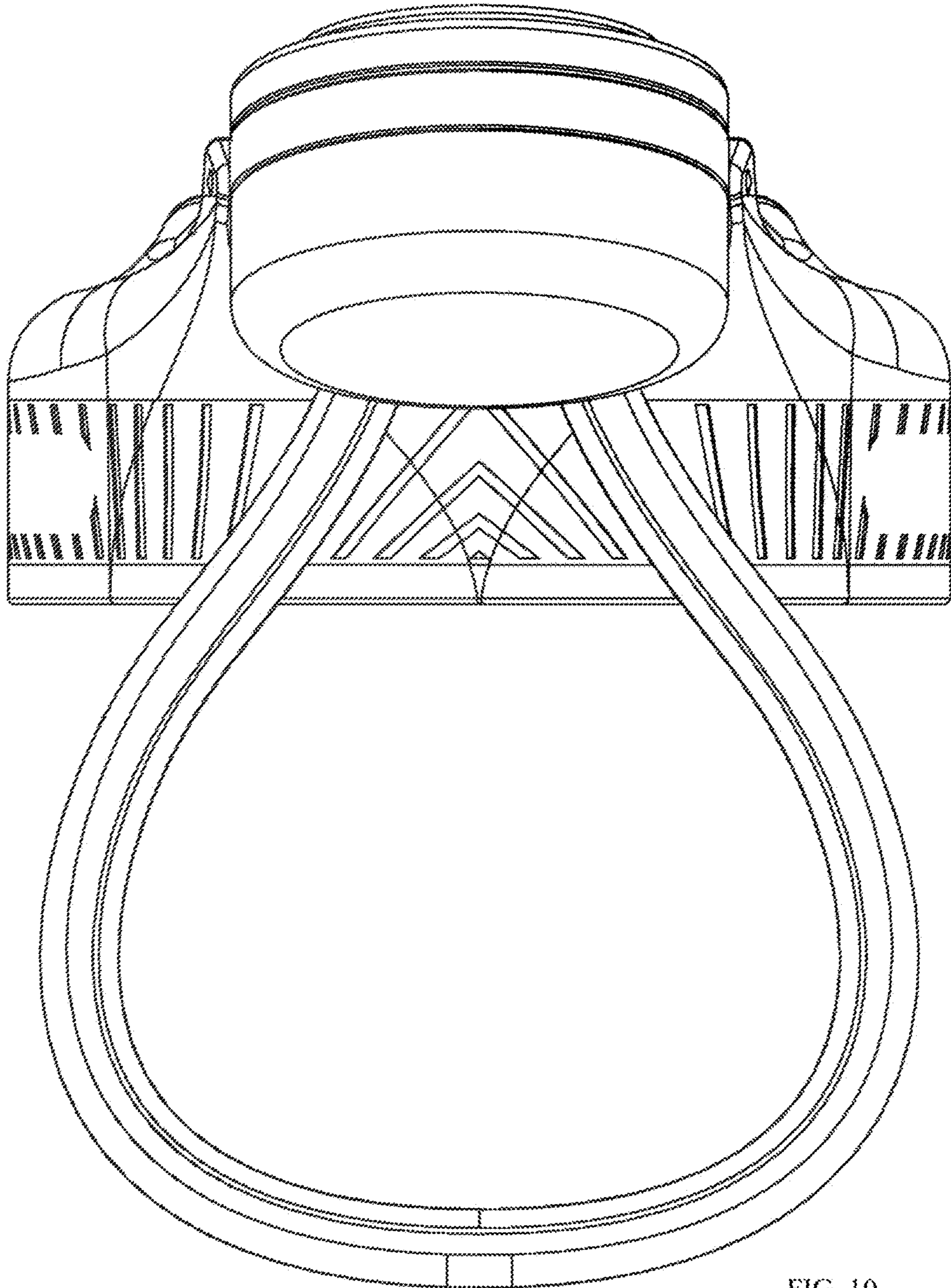


FIG. 10



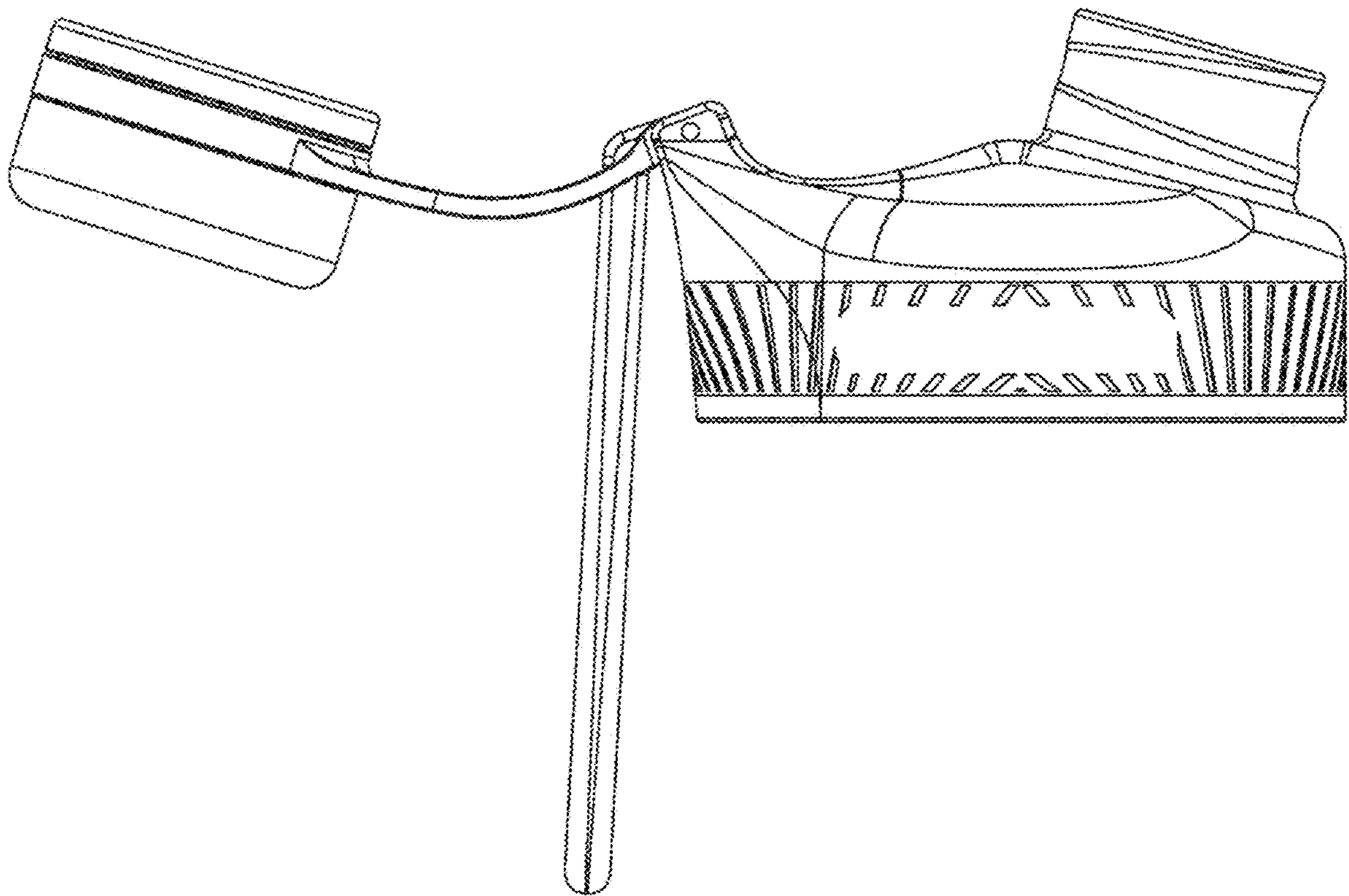


FIG. 11

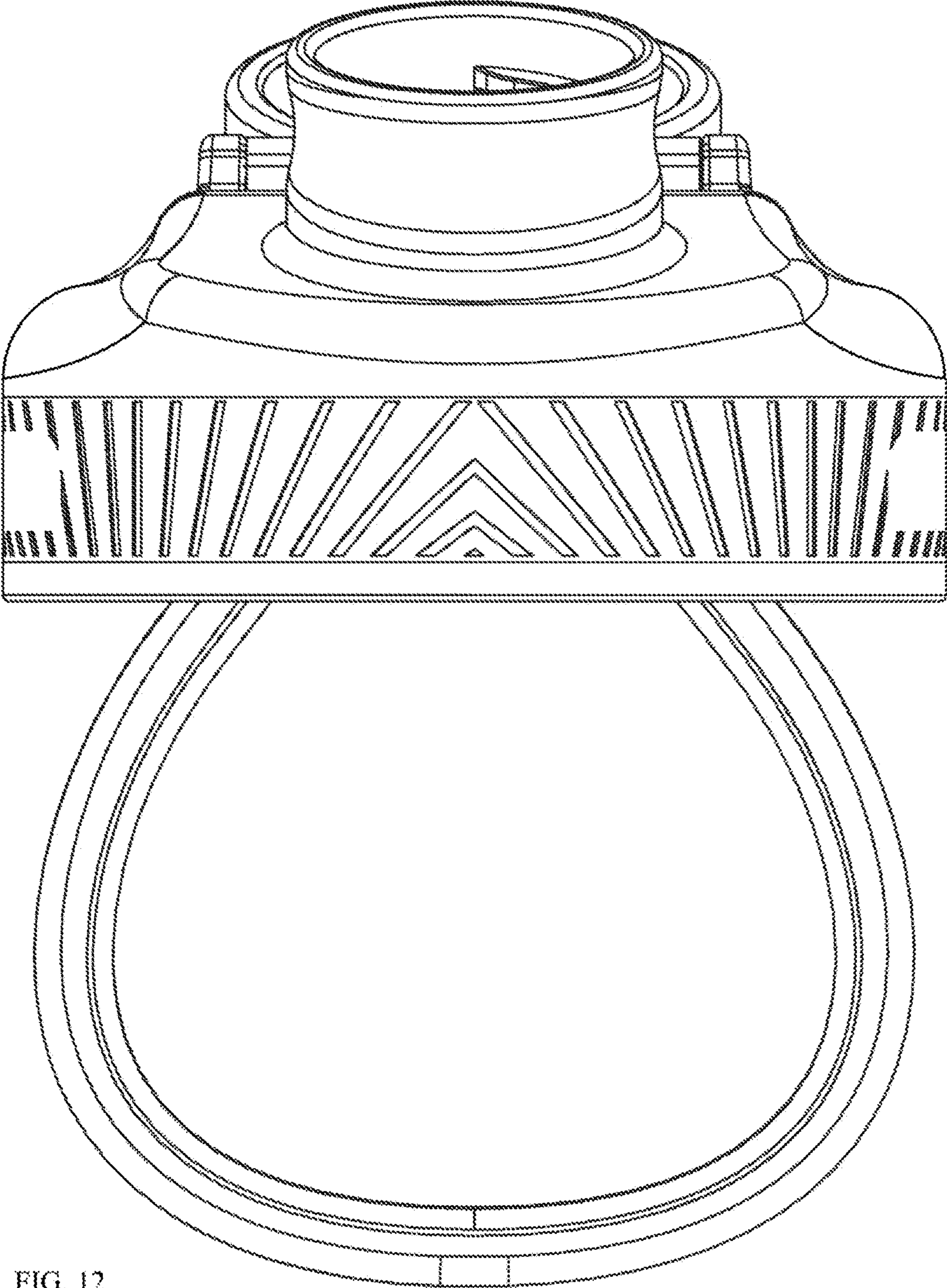


FIG. 12



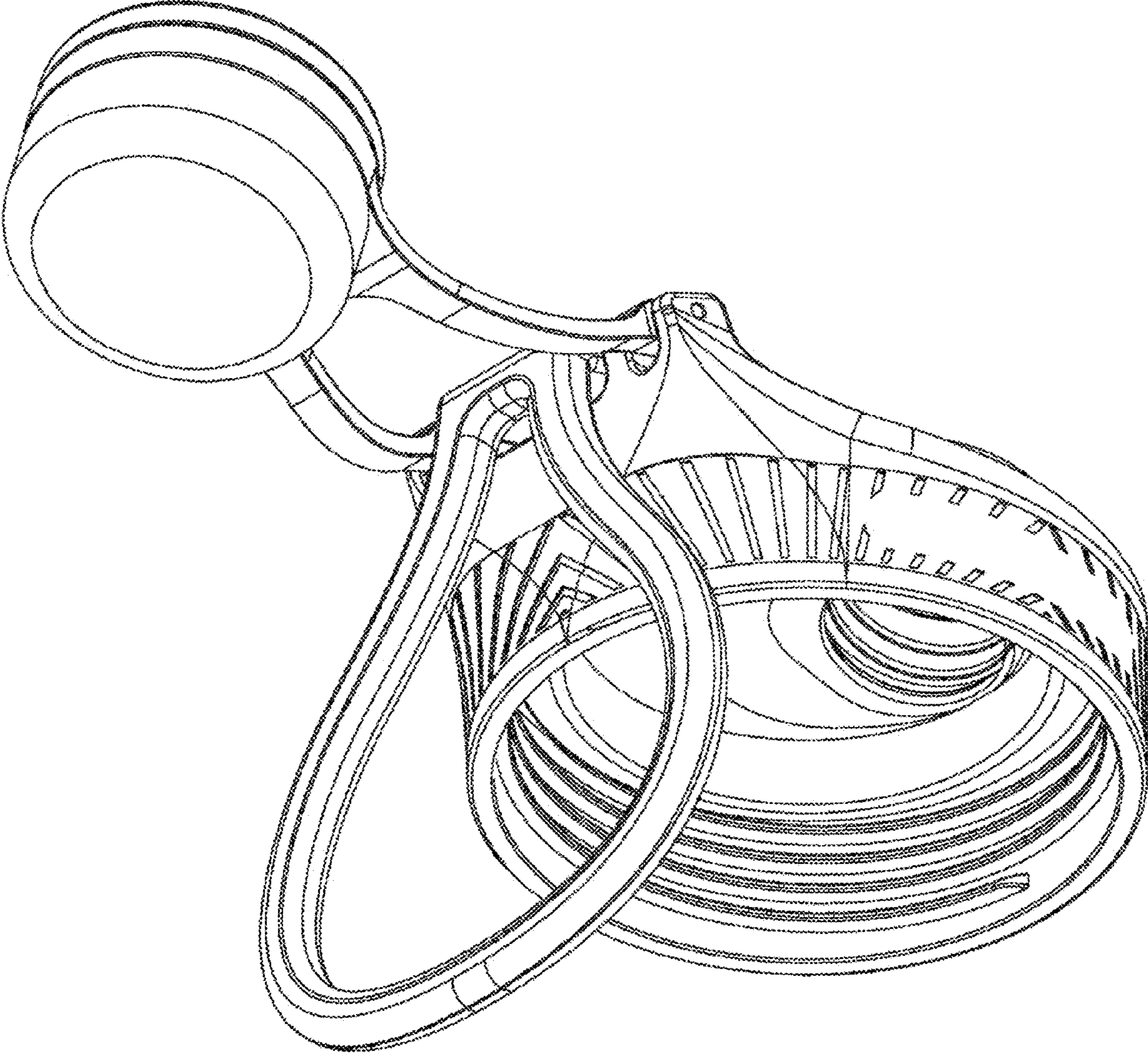


FIG. 13

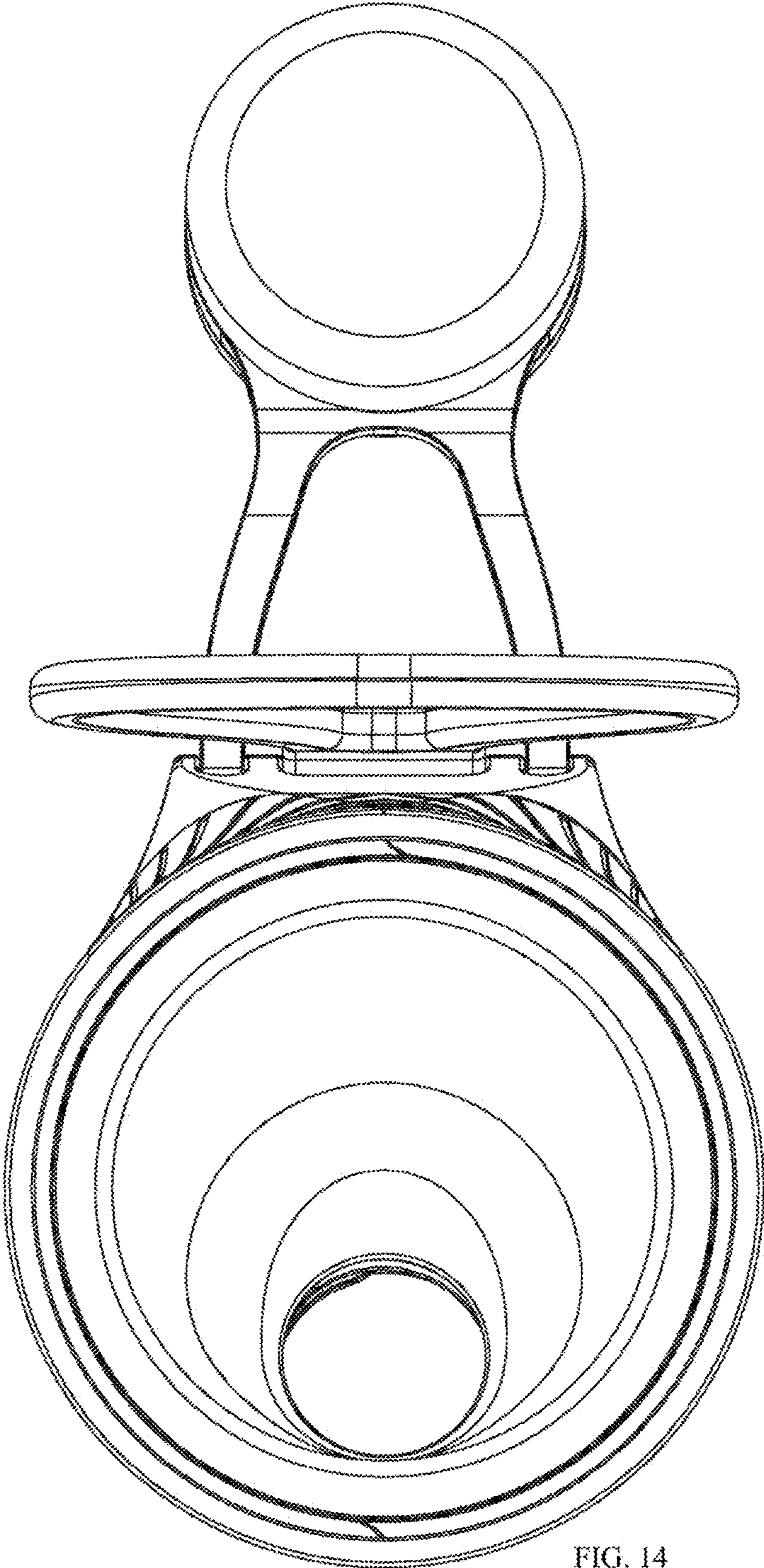


FIG. 14



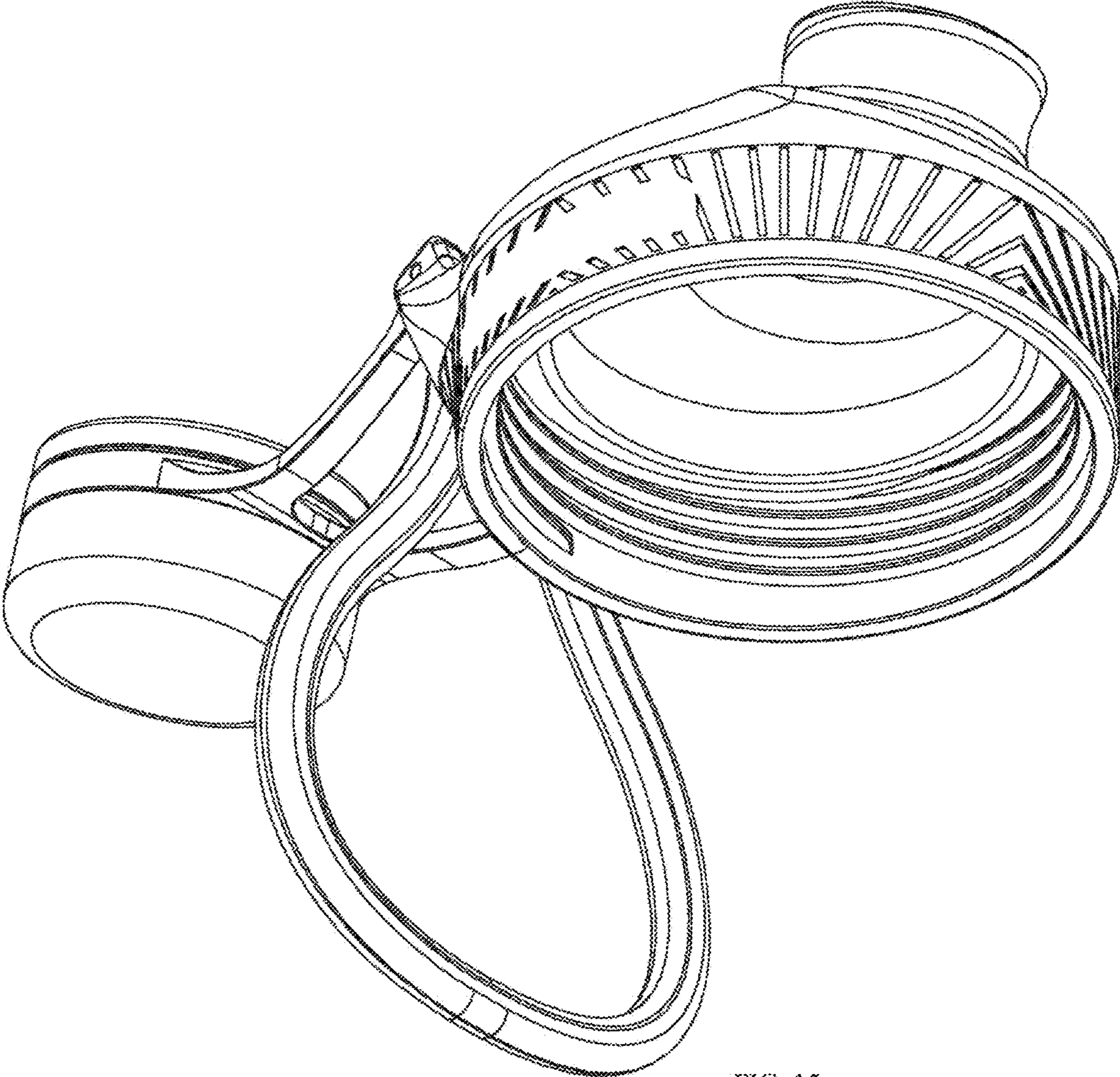


FIG. 15