



US00D903403S

(12) **United States Design Patent** (10) **Patent No.:** **US D903,403 S**
Ames (45) **Date of Patent:** **** Dec. 1, 2020**

(54) **BOTTLE LID**

(71) Applicant: **Real Value LLC**, Norman, OK (US)

(72) Inventor: **Micah Ames**, Oklahoma City, OK (US)

(73) Assignee: **Real Value LLC**, Moore, OK (US)

(**) Term: **15 Years**

(21) Appl. No.: **29/684,930**

(22) Filed: **Mar. 25, 2019**

(51) **LOC (12) Cl.** **07-99**

(52) **U.S. Cl.**
USPC **D7/392; D7/392.1**

(58) **Field of Classification Search**

USPC D7/387, 391, 394, 396.2, 509-511, 538,
D7/900; D3/201, 202; D9/434, 435,
D9/436, 439, 440, 442, 443, 446-450,
D9/499, 686
CPC .. A61J 1/00; A61J 1/1412; B65D 1/00; B65D
1/02; B65D 1/10; B65D 1/46; B65D
2585/56; B65D 2585/545; B65D 47/06;
B65D 2543/00296; B65D 41/00; B65D
41/38; B65D 41/56; B65D 41/62; B65D
47/00; B65D 47/08; B65D 2543/00046;
B65D 2543/00092; B65D 5/46; B65D
2251/00

See application file for complete search history.

(56) **References Cited**

U.S. PATENT DOCUMENTS

D620,357 S 7/2010 Jewett et al.
D648,177 S 11/2011 Eyal
D672,238 S 12/2012 Aziz et al.
D672,609 S 12/2012 Aziz et al.
D682,034 S * 5/2013 El-Saden D7/510
D700,012 S 2/2014 Hurley et al.
D723,333 S 3/2015 Lin
D724,385 S 3/2015 Hurley et al.
D729,569 S * 5/2015 Herbst D7/392

D787,935 S 5/2017 Kaiser
D790,920 S 7/2017 Goodwin et al.
D791,579 S 7/2017 Goodwin et al.
D793,154 S * 8/2017 Sorensen D7/392.1

(Continued)

Primary Examiner — Karen S Acker

Assistant Examiner — Steven B Reinholdt, Jr.

(74) *Attorney, Agent, or Firm* — Hall Estill Law Firm

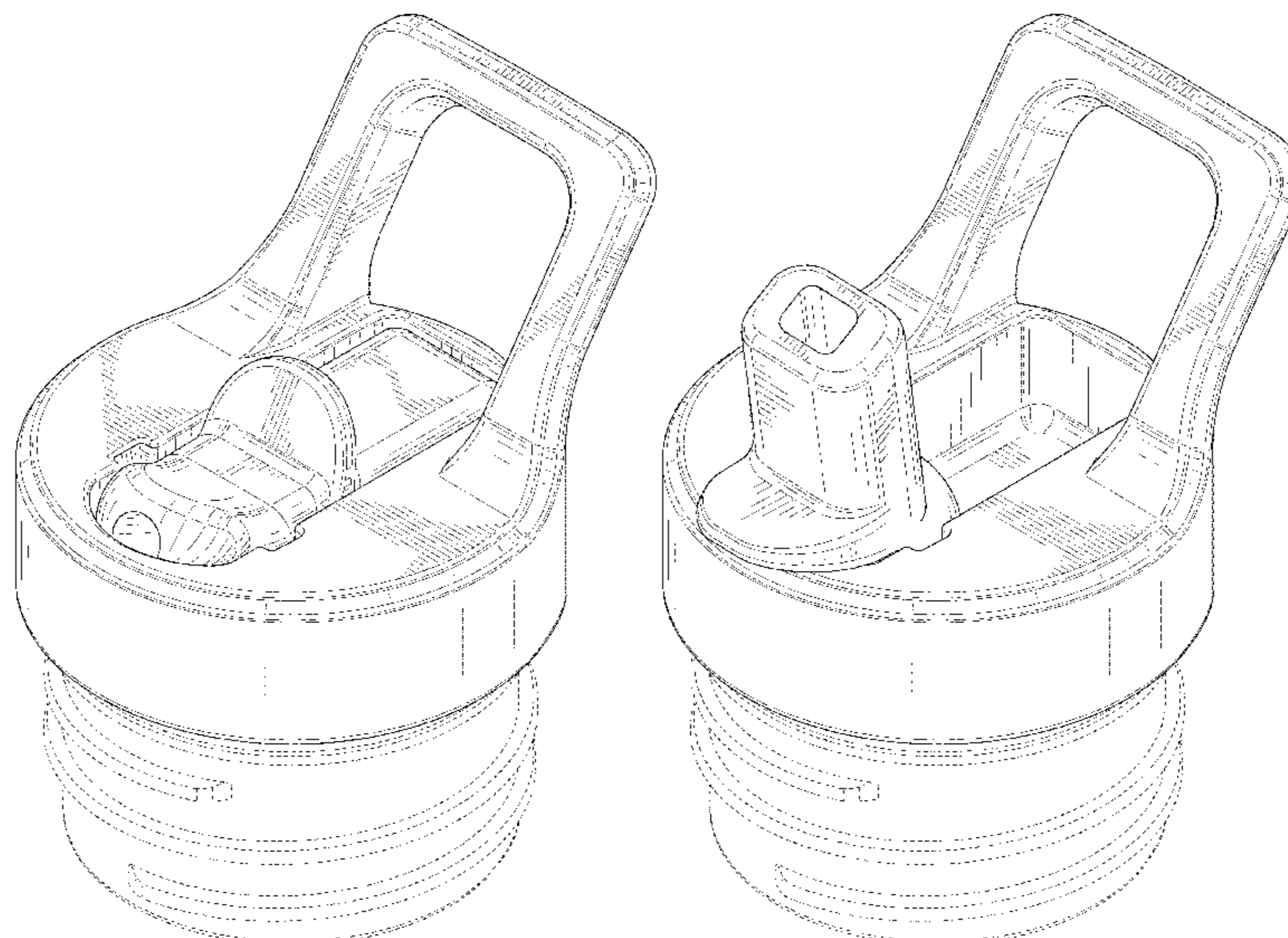
(57) **CLAIM**

The ornamental design for a bottle lid, as shown and described.

DESCRIPTION

FIG. 1 is a perspective view of a bottle lid, showing the drinking portion of the bottle lid in a closed position. FIG. 2 is a front side elevation view of FIG. 1. FIG. 3 is a rear side elevation of view of FIG. 1. FIG. 4 is a right side elevation view of FIG. 1. FIG. 5 is a left side elevation view of FIG. 1. FIG. 6 is a top view of FIG. 1. FIG. 7 is a bottom view of FIG. 1. FIG. 8 is a perspective view of the bottle lid of FIG. 1, in a condition of use with a bottle. FIG. 9 is a perspective view of the bottle lid of FIG. 1, showing the drinking portion of the bottle lid in an open position. FIG. 10 is a front side elevation view of FIG. 9. FIG. 11 is a rear side elevation of view of FIG. 9. FIG. 12 is a right side elevation view of FIG. 9. FIG. 13 is a left side elevation view of FIG. 9. FIG. 14 is a top view of FIG. 9. FIG. 15 is a bottom view of FIG. 9; and, FIG. 16 is a perspective view of the bottle lid of FIG. 9, in a condition of use with a bottle. Broken lines in FIGS. 1-5, 7, and 9-15 depict portions of the bottle lid that form no part of the claimed design. The broken lines in FIGS. 8 and 16 illustrate the environment of a bottle that forms no part of the claimed design.

1 Claim, 16 Drawing Sheets



(56)

References Cited

U.S. PATENT DOCUMENTS

D808,220	S	1/2018	Burns et al.	
D809,920	S	2/2018	Maple	
D810,504	S	2/2018	Goodwin et al.	
D811,162	S *	2/2018	Rane	D7/396.2
D811,818	S	3/2018	Wu	
D812,428	S	3/2018	Wu	
D812,966	S *	3/2018	Murosky	D7/392.1
D814,855	S *	4/2018	Hammer	D7/392.1
D815,908	S	4/2018	Kauss et al.	
D822,439	S	7/2018	Spivey et al.	
D823,061	S *	7/2018	Murosky	D7/510
D855,388	S *	8/2019	Potter	D7/392
D857,445	S *	8/2019	Keung	D7/392.1
D862,985	S *	10/2019	Backs	D7/511
D868,534	S *	12/2019	Lin	D7/392.1
D870,508	S *	12/2019	Palkon	D7/392.1

* cited by examiner

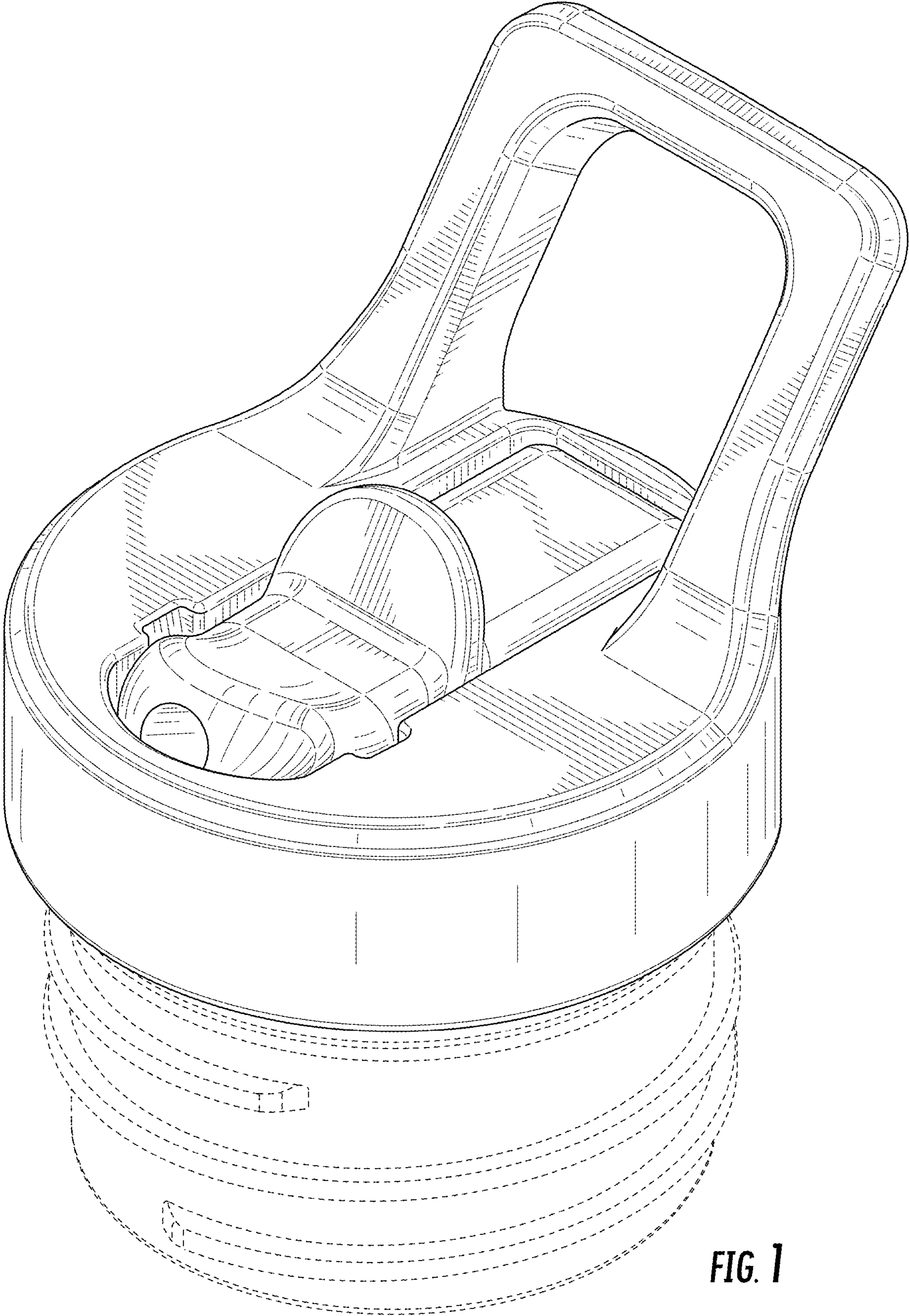


FIG. 1

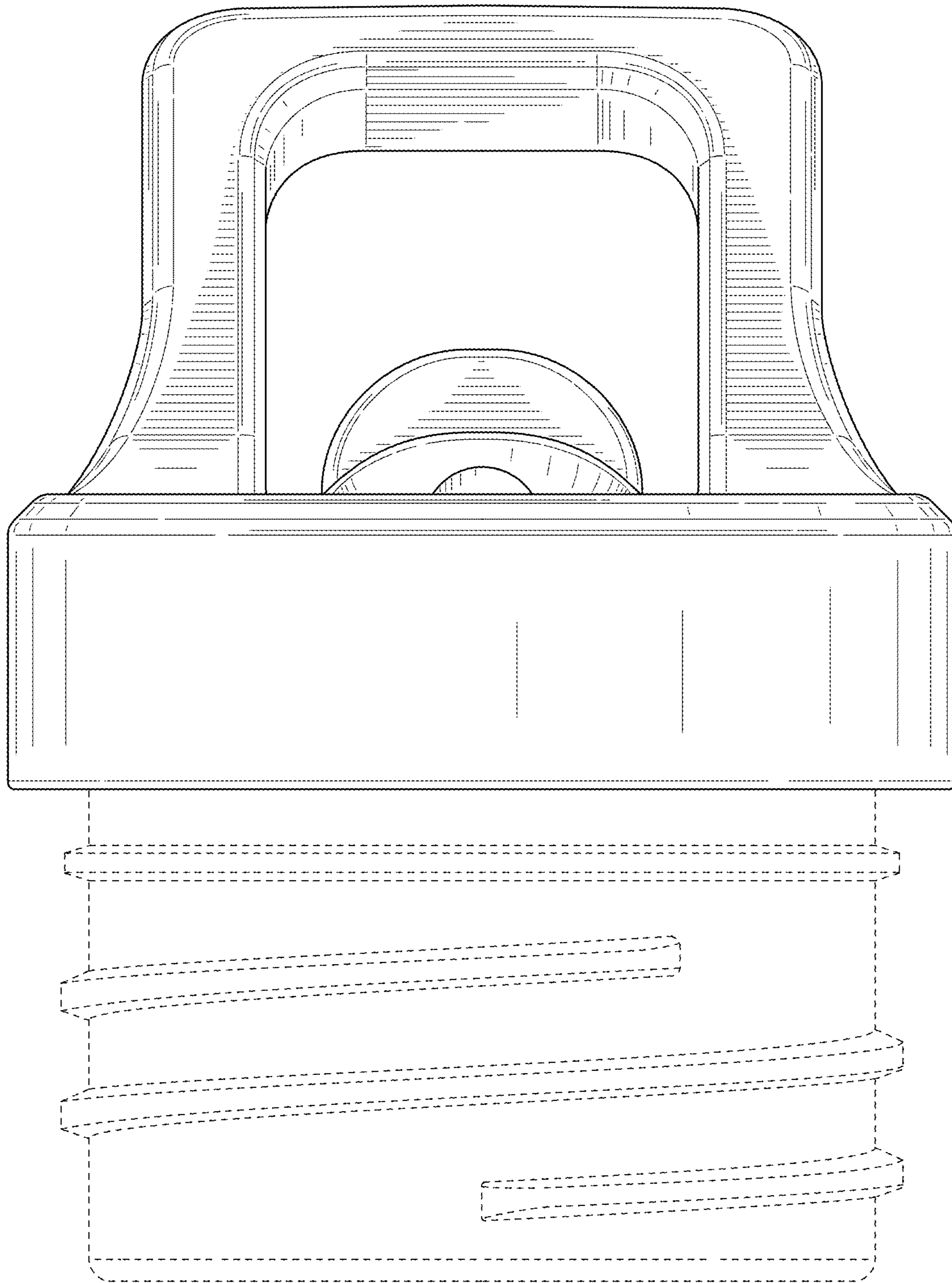


FIG. 2

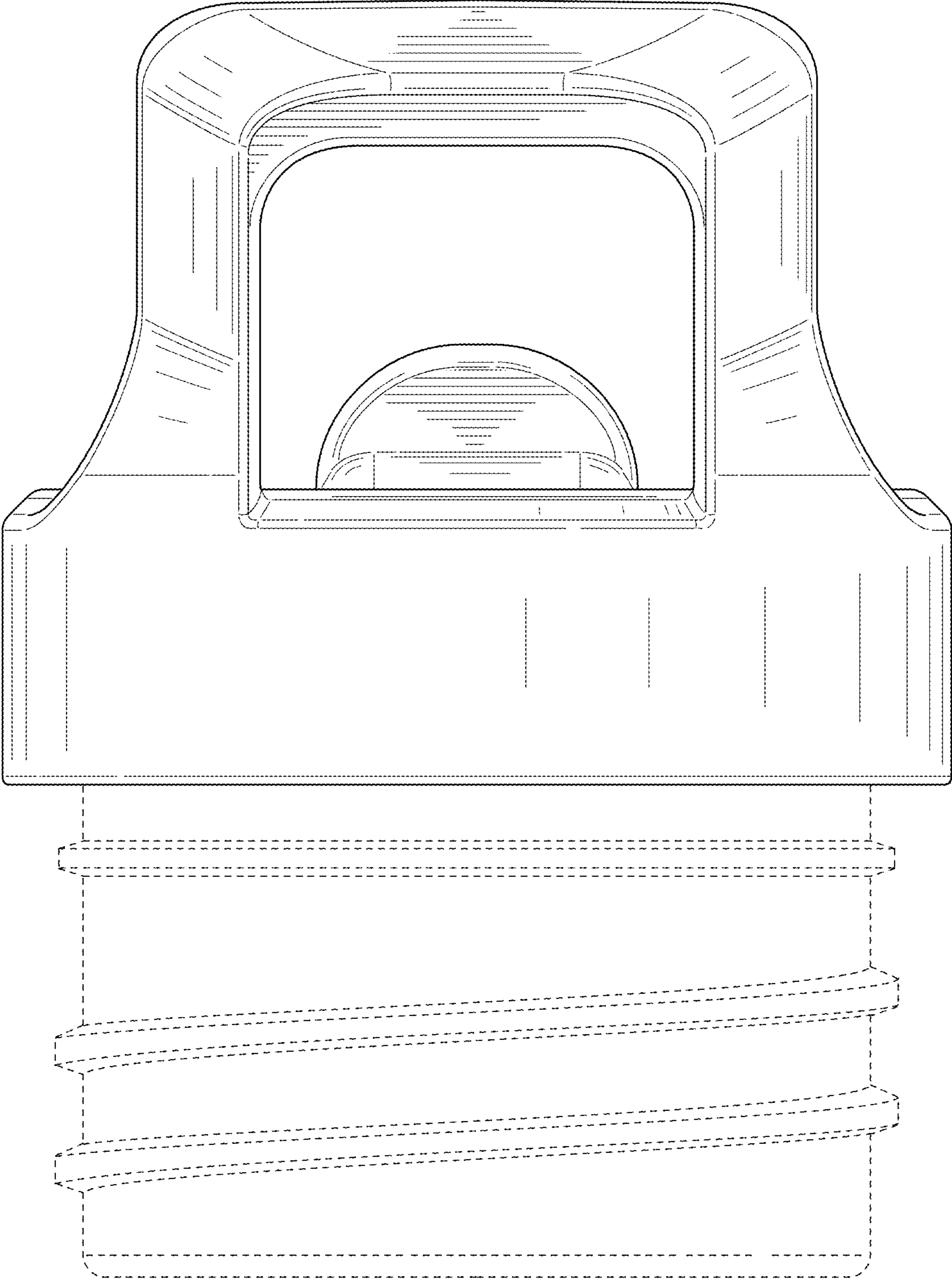


FIG. 3

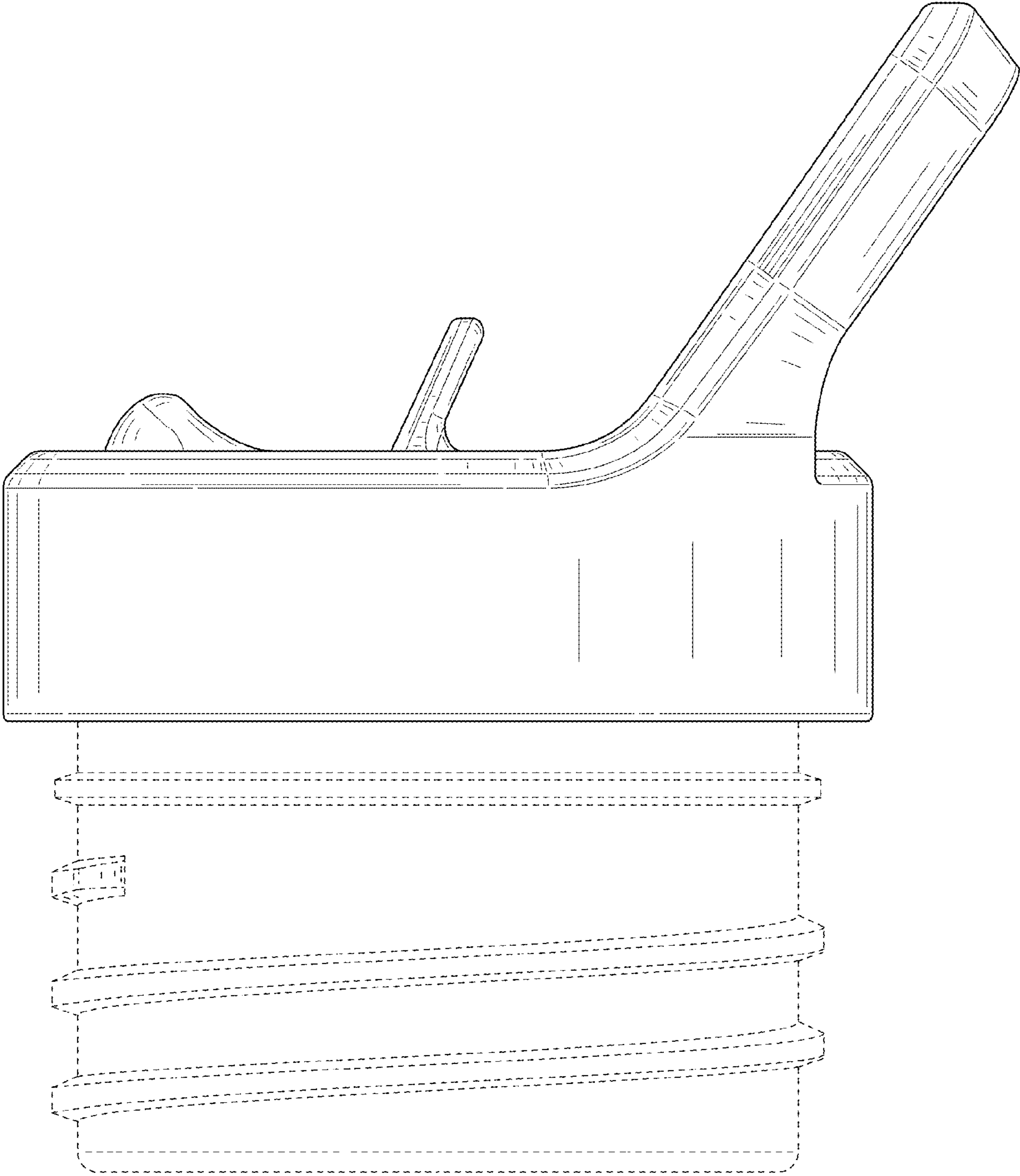


FIG. 4

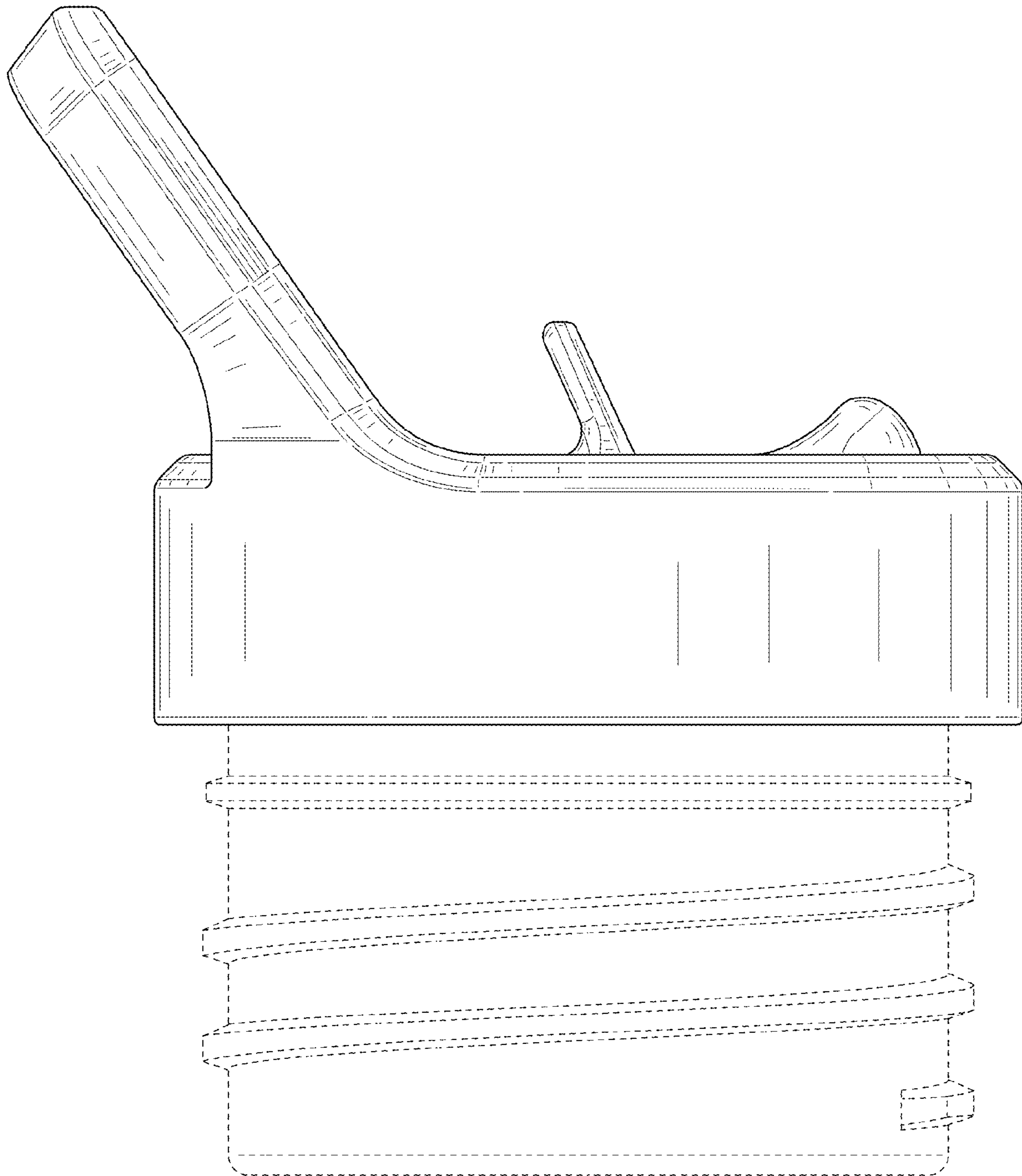


FIG. 5

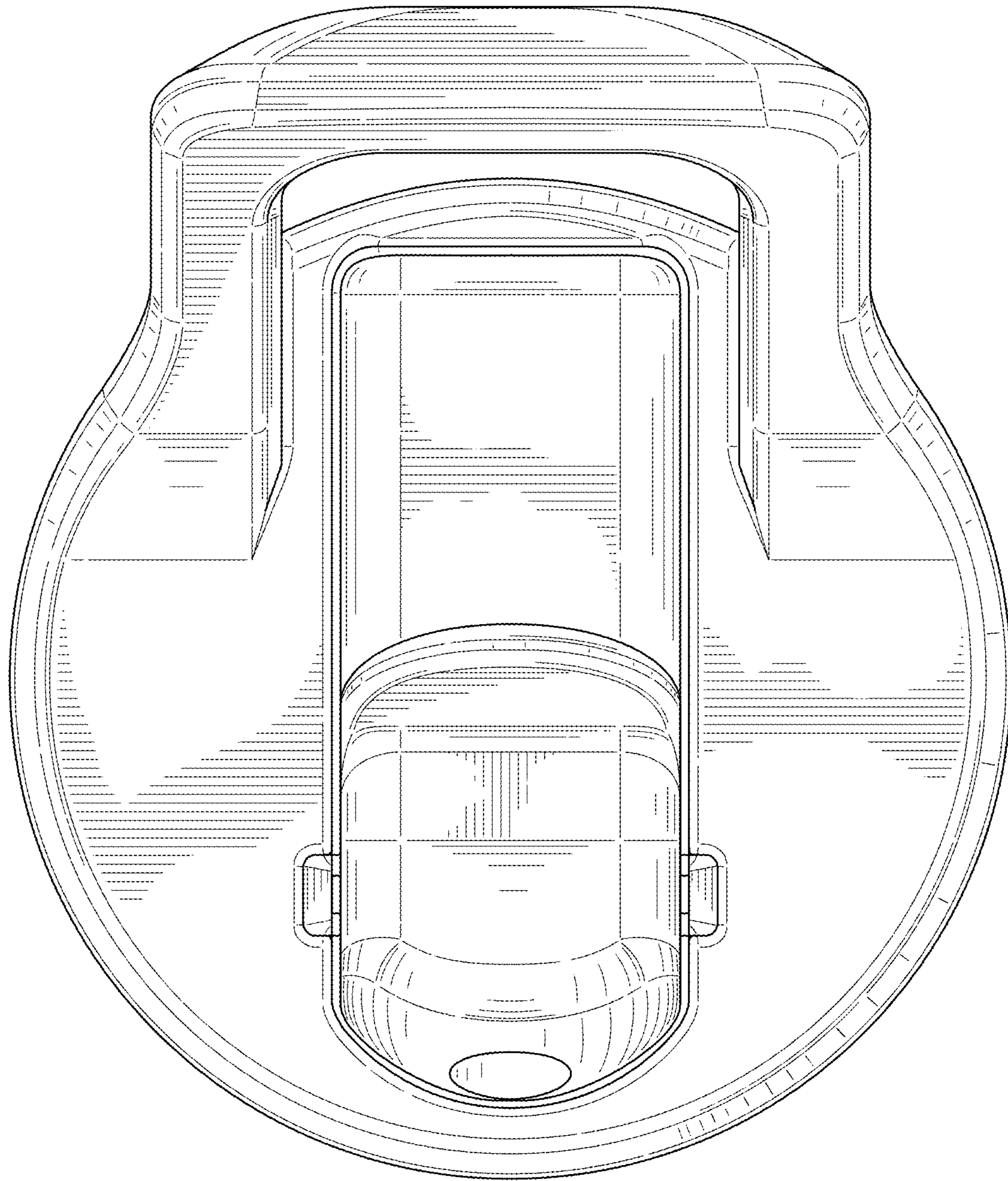


FIG. 6

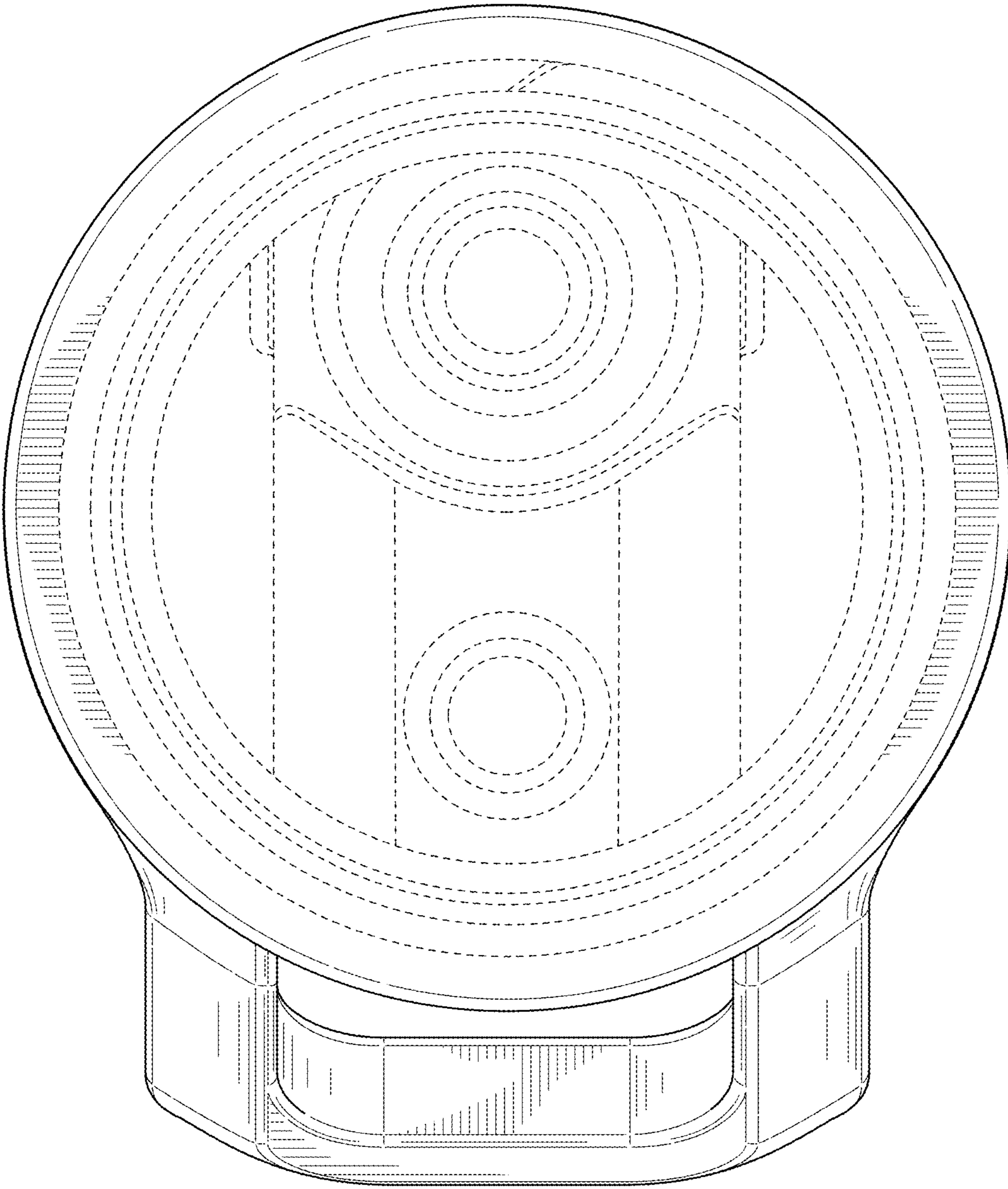


FIG. 7

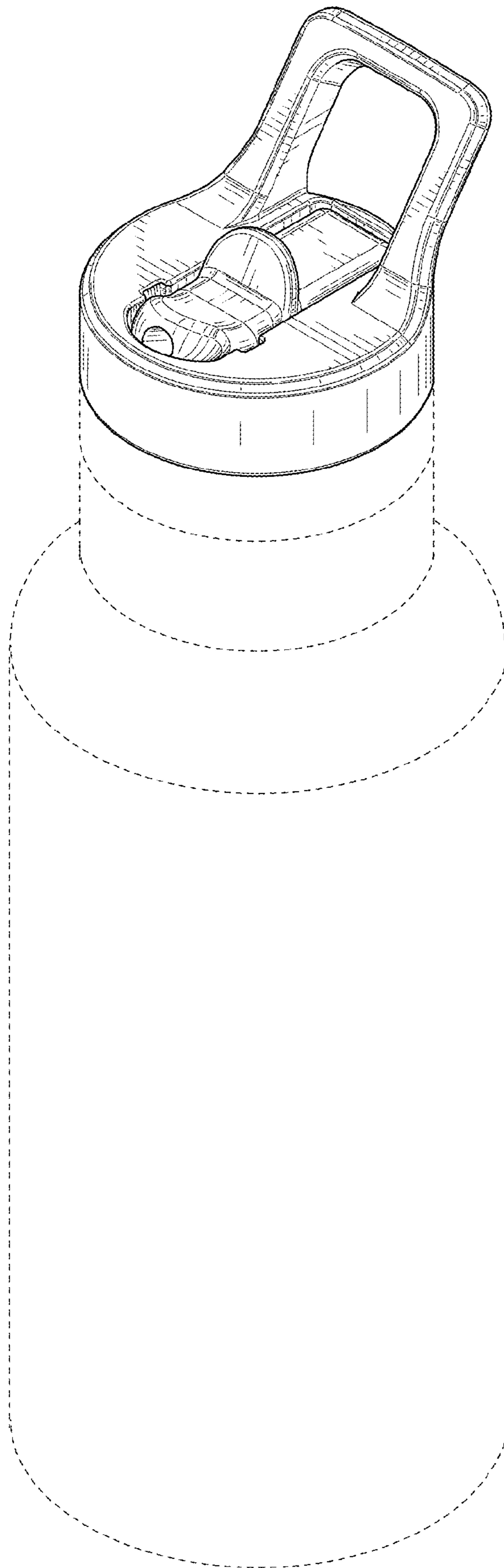


FIG. 8

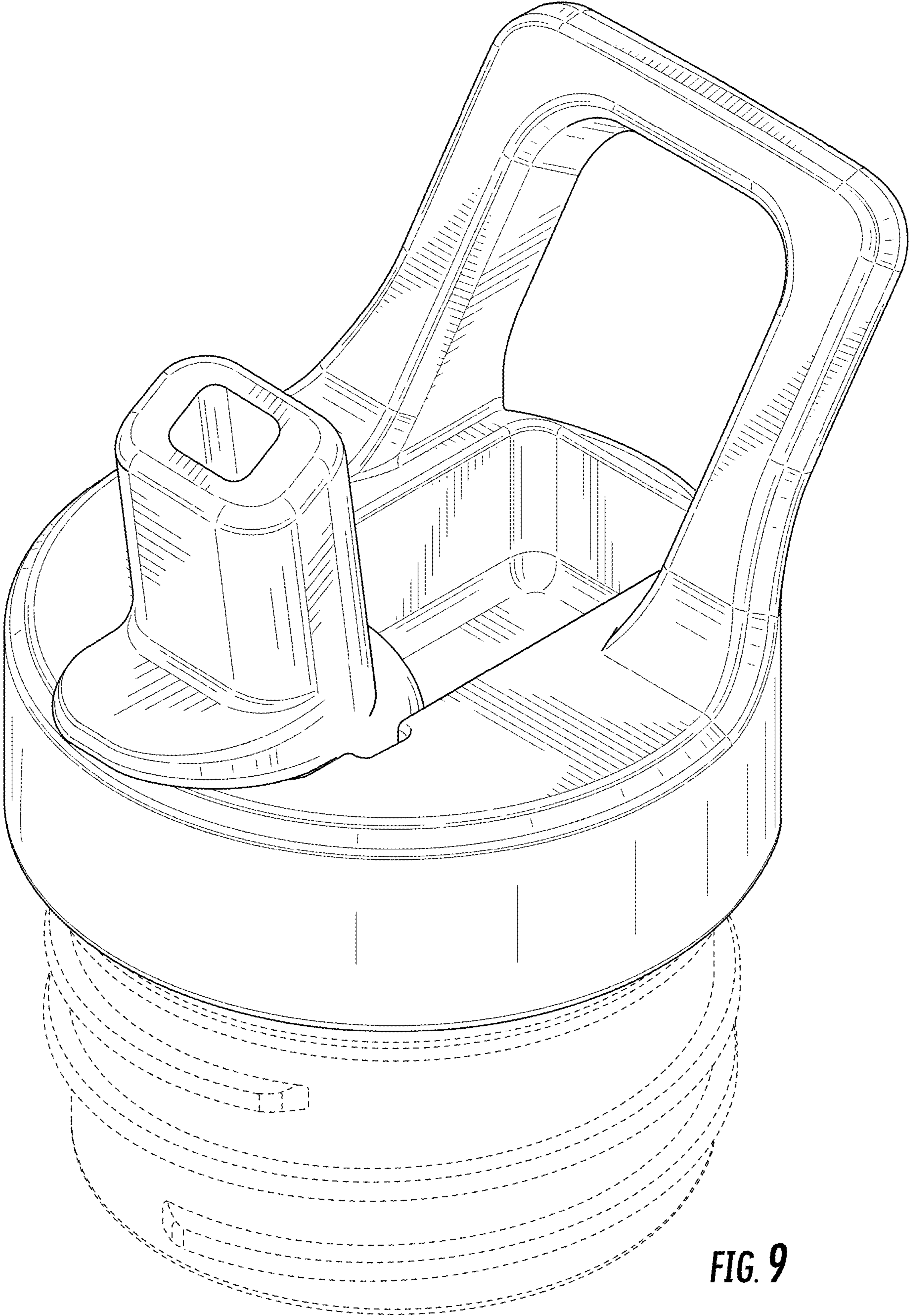


FIG. 9

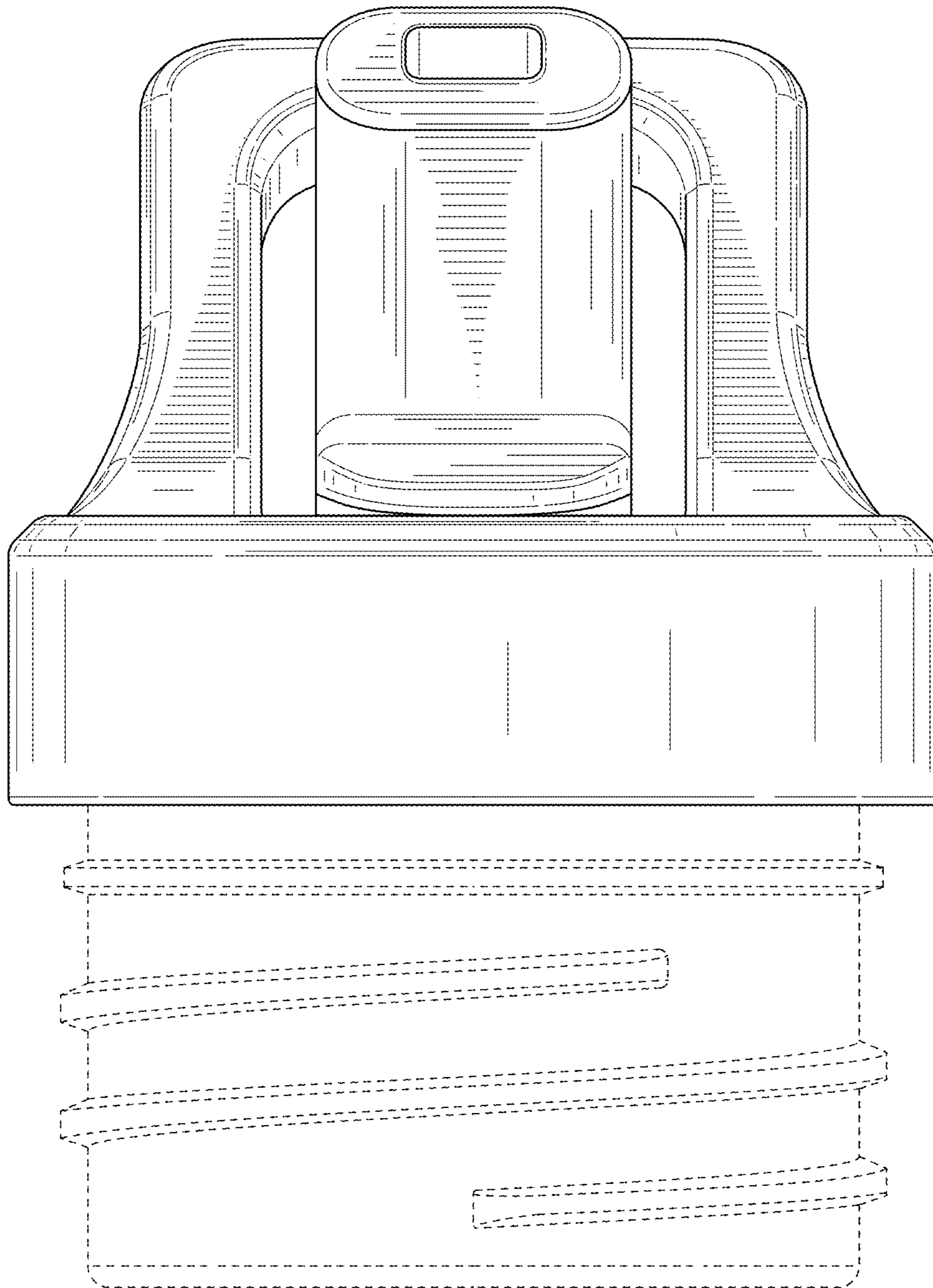


FIG. 10

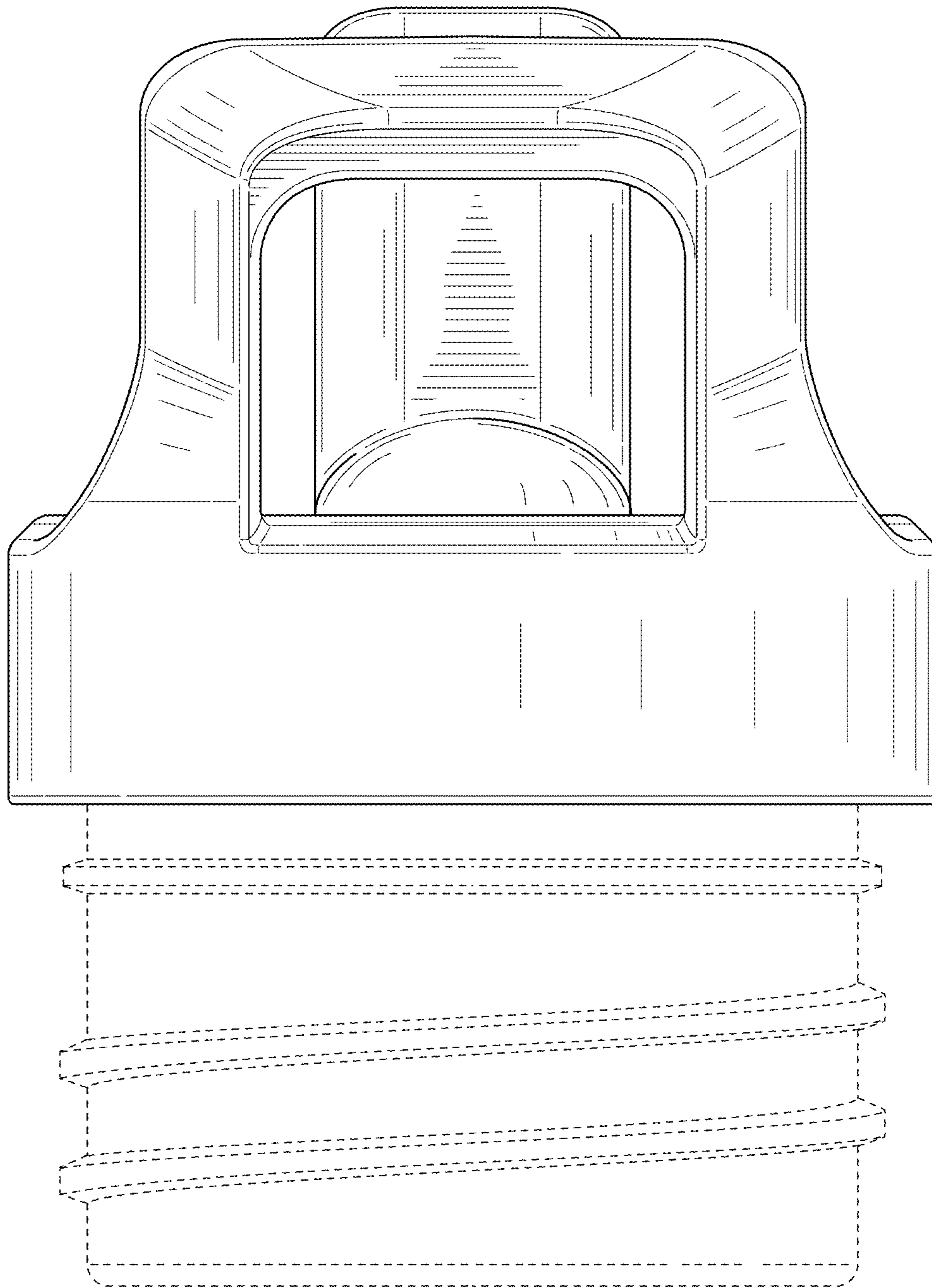


FIG. 11

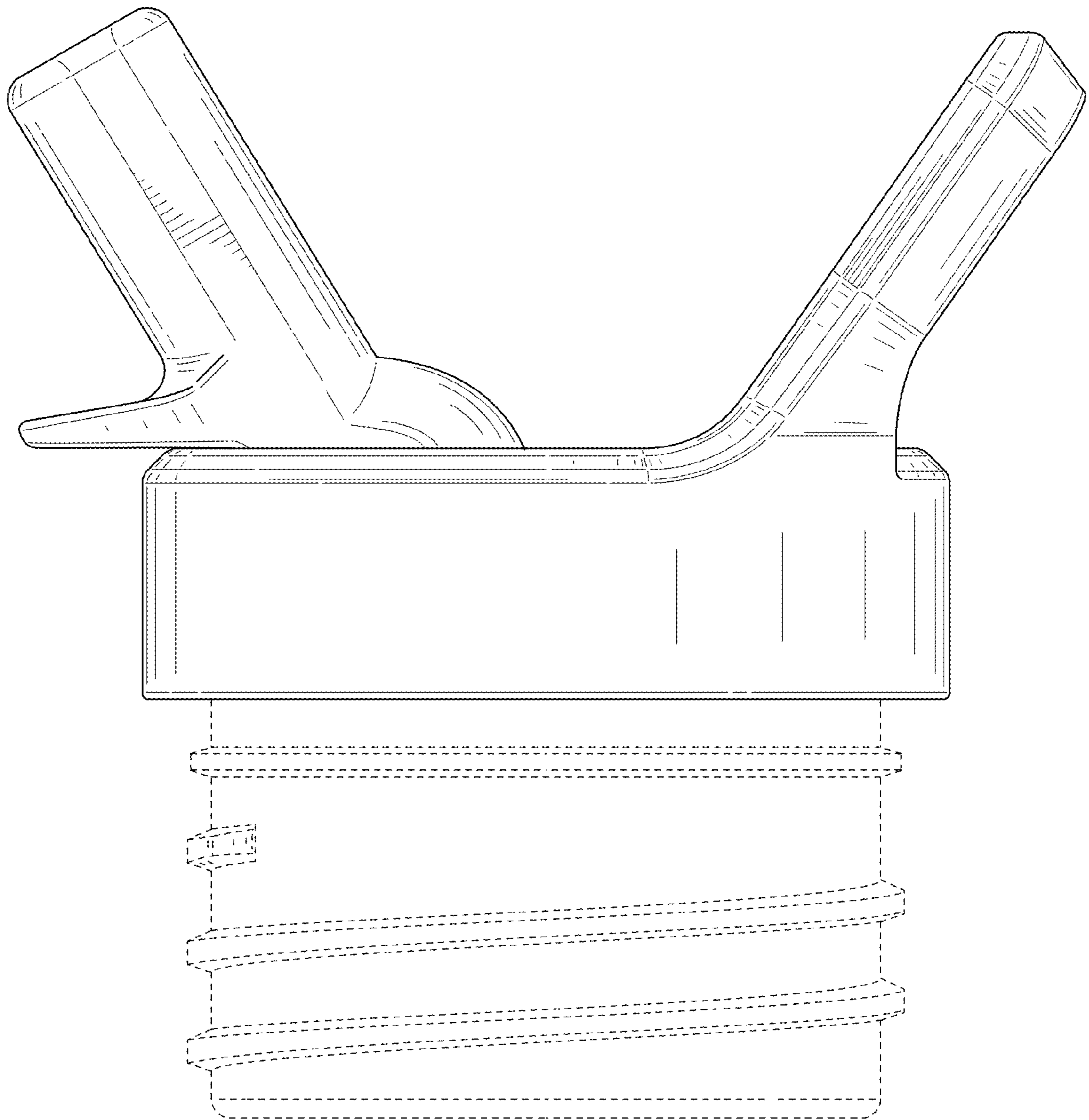


FIG. 12

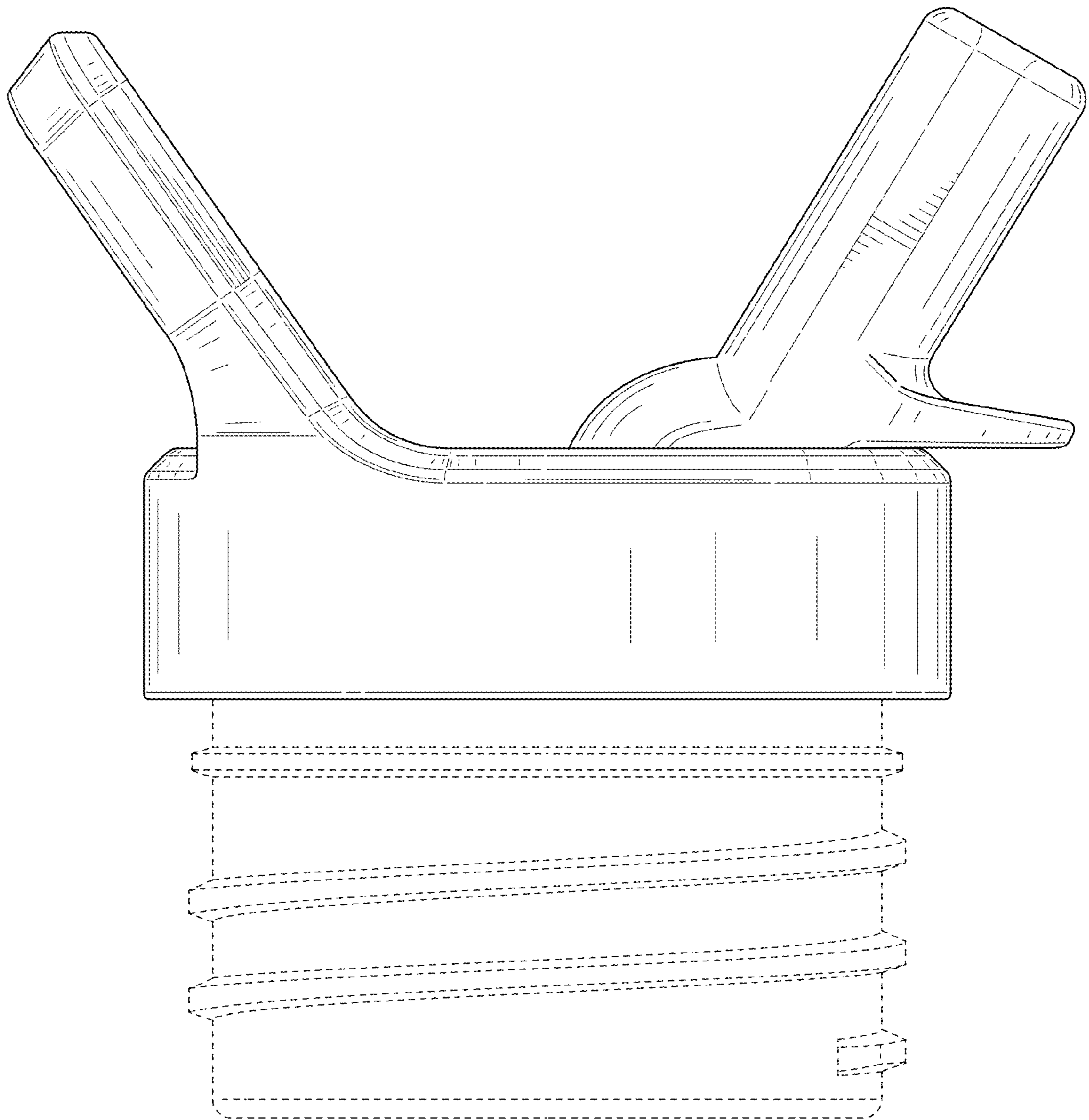


FIG. 13

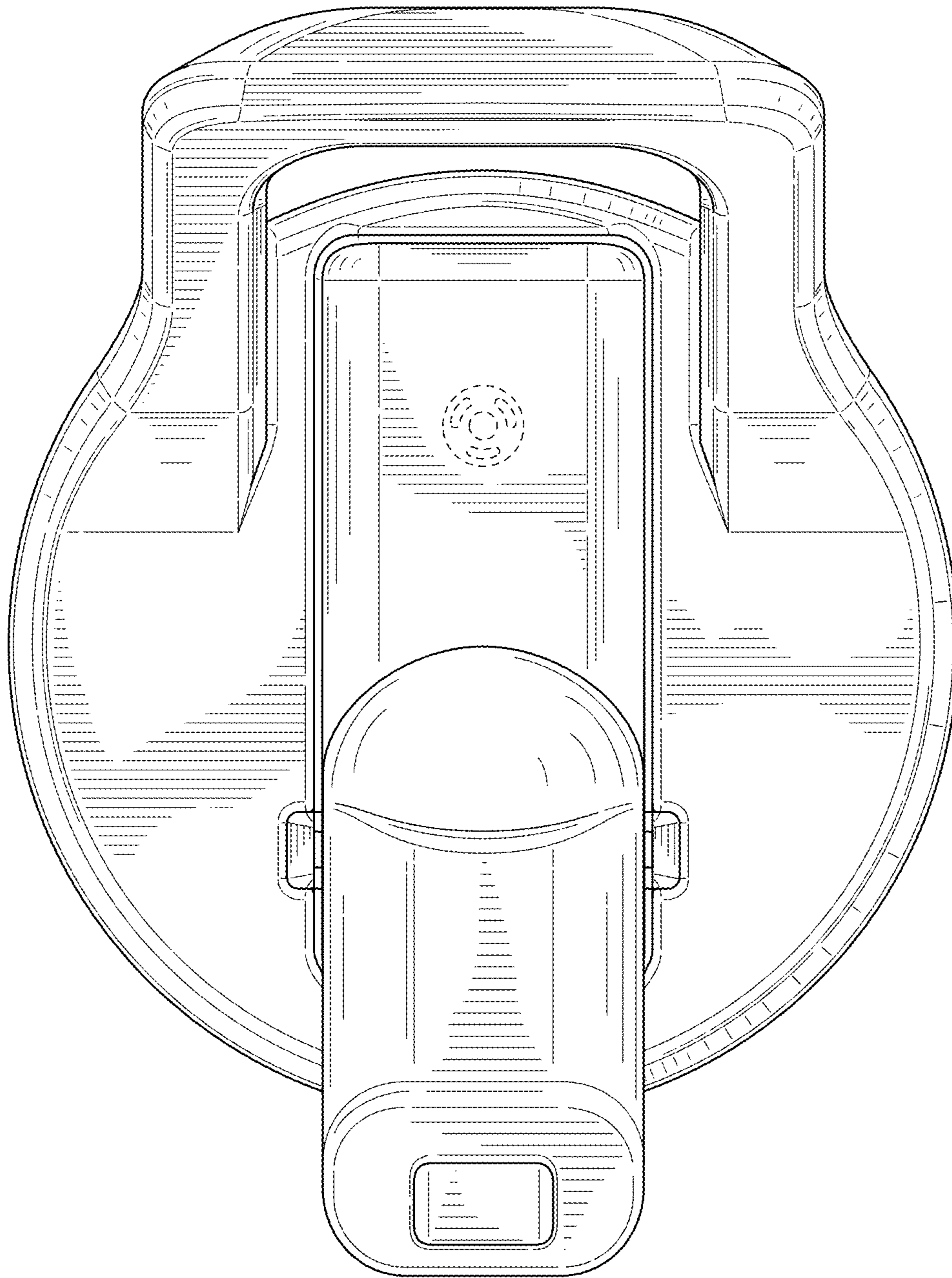


FIG. 14

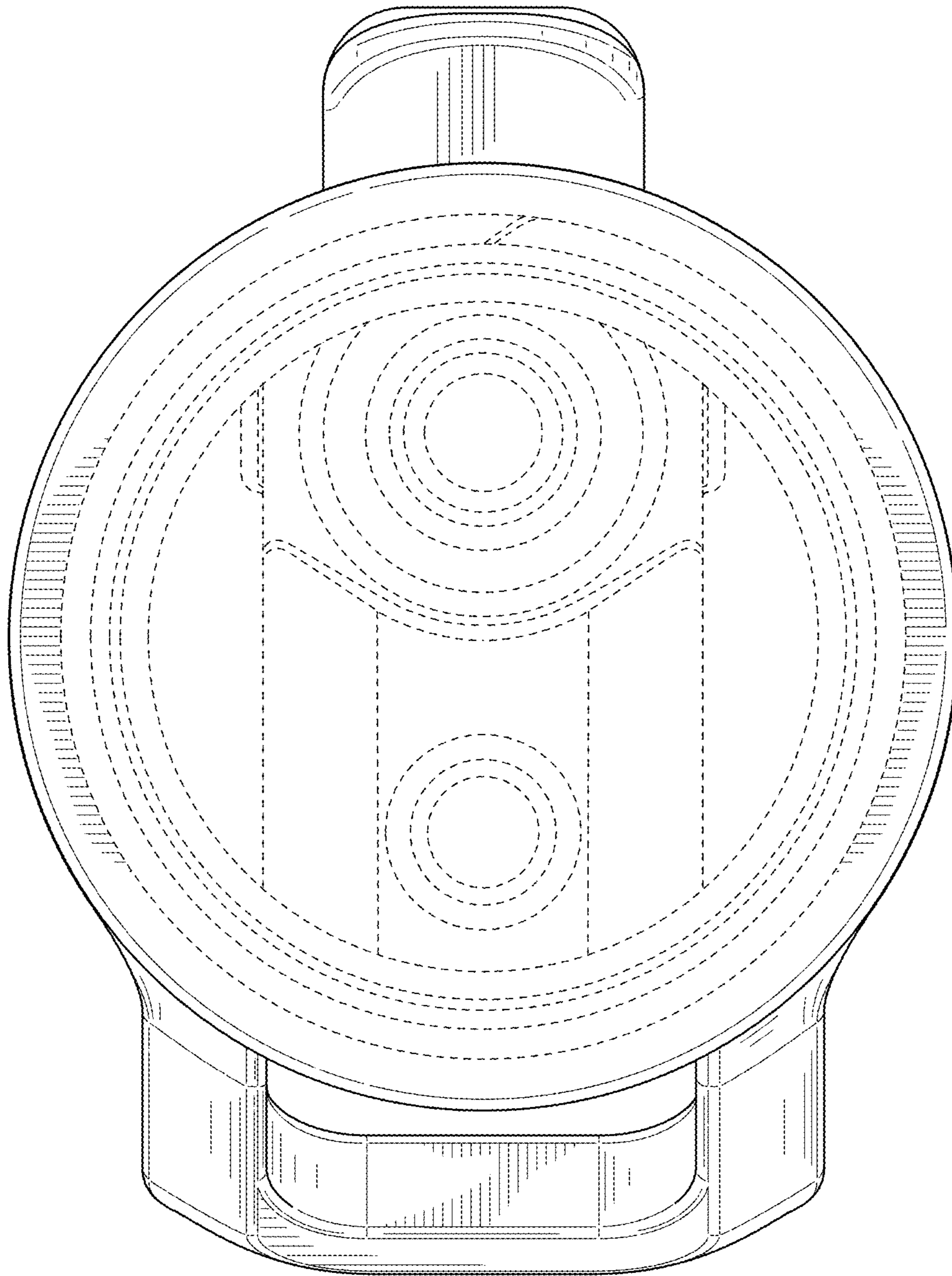


FIG. 15

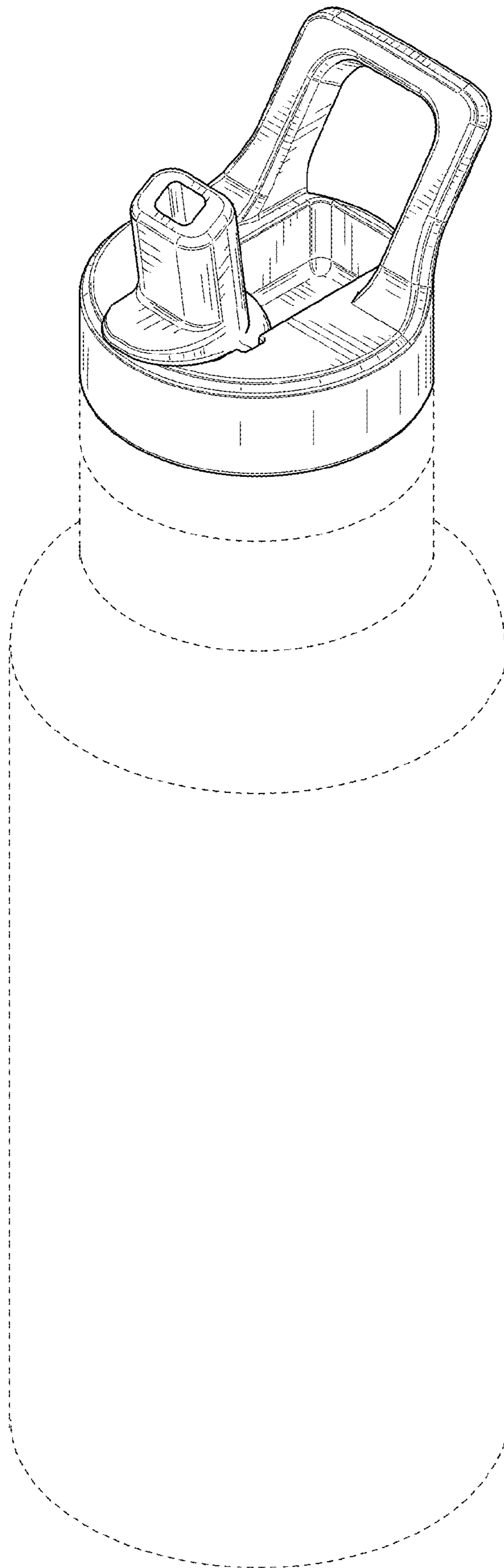


FIG. 16