



US00D903401S

(12) **United States Design Patent** (10) **Patent No.:** **US D903,401 S**
Koszylko (45) **Date of Patent:** **** Dec. 1, 2020**

(54) **FOOD PROCESSOR**

(71) Applicant: **Spectrum Brands, Inc.**, Middleton, WI (US)

(72) Inventor: **Darek J. Koszylko**, Dane, WI (US)

(73) Assignee: **Spectrum Brands, Inc.**, Middleton, WI (US)

(**) Term: **15 Years**

(21) Appl. No.: **29/696,591**

(22) Filed: **Jun. 28, 2019**

(51) **LOC (12) Cl.** **31-00**

(52) **U.S. Cl.**
USPC **D7/386**; D7/376; D7/378

(58) **Field of Classification Search**
USPC D7/372, 376-386, 412-413, 602, 629, D7/665-666, 669, 679, 693-694
CPC A21C 1/02; A21C 1/04; A23N 1/00; A23N 1/02; A47J 43/04; A47J 43/25; A47J 43/27; A47J 43/042; A47J 43/044; A47J 43/046; A47J 43/075; A47J 43/0711; A47J 43/0722; A47J 43/0727; A47J 43/082; B01F 3/00; B01F 3/0807; B01F 3/0853; B01F 13/0059; B01F 13/0064; B02C 1/08; B02C 2/04; B02C 4/42; B02C 4/142; B02C 4/143; B02C 4/423; B02C 13/1835; B28C 5/10; B28C 5/12; B28C 5/14; B28C 5/16

See application file for complete search history.

(56) **References Cited**

U.S. PATENT DOCUMENTS

D175,601 S * 9/1955 Huck D7/386
D394,986 S * 6/1998 Lallemand D7/378
D445,299 S 7/2001 Spagnolo et al.
D502,047 S 2/2005 Ledingham et al.
D502,842 S * 3/2005 Hallar D7/384
D547,601 S 7/2007 Ting et al.

D555,427 S 11/2007 Picozza et al.
D587,064 S 2/2009 Mark
D630,467 S * 1/2011 Harrod D7/376
8,109,668 B2 * 2/2012 Garman A47J 43/042
366/205
D702,993 S 4/2014 Lownds
(Continued)

FOREIGN PATENT DOCUMENTS

CN 300831361 9/2008
CN 301381975 11/2010
(Continued)

OTHER PUBLICATIONS

“KitchenAid-KFP0711CU-Processor-Contour-Silver”; Kitchen Aid; retrieved Nov. 26, 2018; disclosure date unknown but prior to filing date of present application; URL: <<https://www.amazon.com/KitchenAid-KFP0711CU-Processor-Contour-Silver>>.

(Continued)

Primary Examiner — Ricky Pham
(74) *Attorney, Agent, or Firm* — Banner & Witcoff, Ltd.

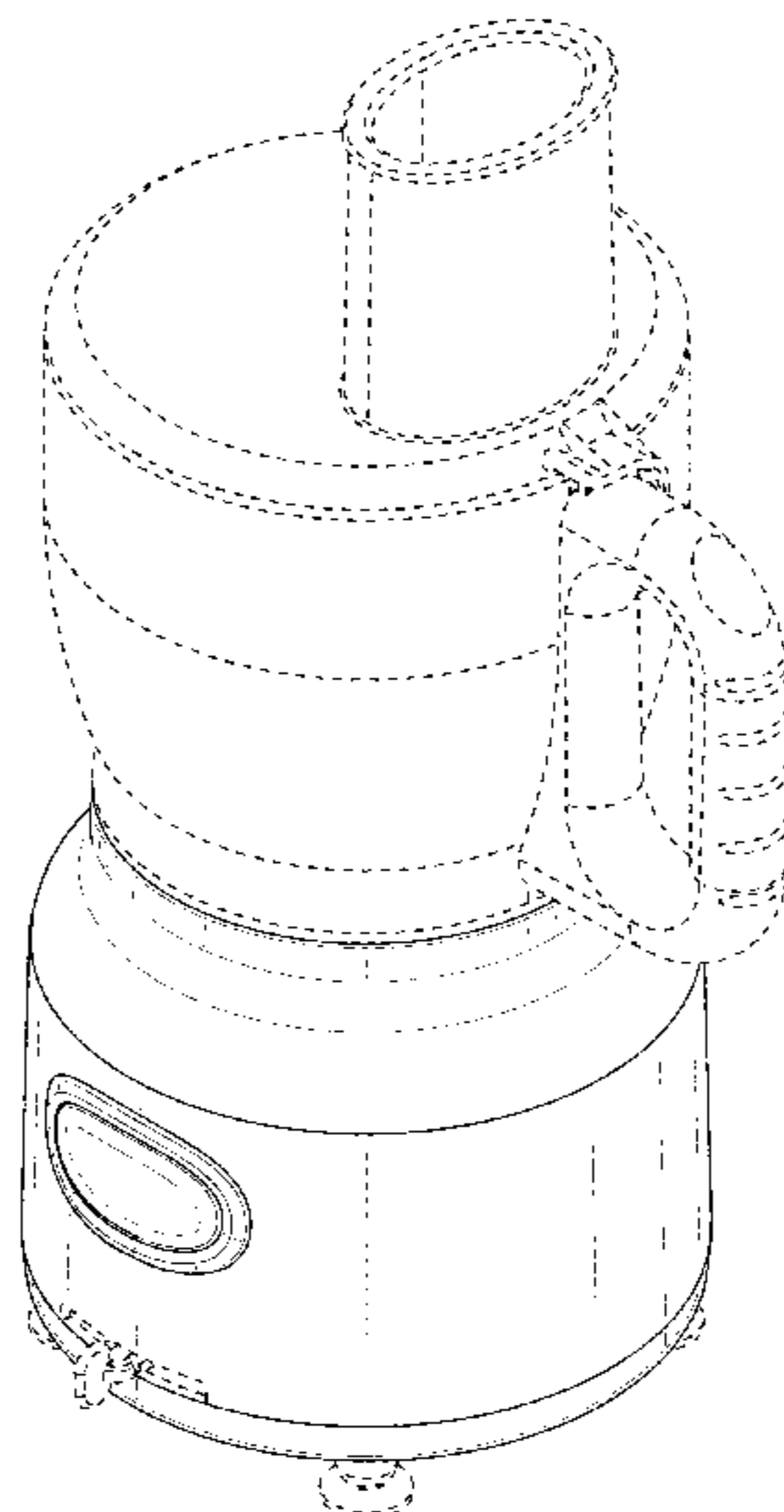
(57) **CLAIM**

The ornamental design for a food processor, as shown and described.

DESCRIPTION

FIG. 1 is a front perspective view of a food processor showing my new design;
FIG. 2 is a front view thereof;
FIG. 3 is a rear view thereof;
FIG. 4 is a left side view thereof;
FIG. 5 is a right side view thereof; and,
FIG. 6 is a top view thereof.
The broken lines within the shaded area represents features that form no part of the claimed design. The broken lines depicting the remainder of the food processor form no part of the claimed design.

1 Claim, 6 Drawing Sheets



(56)

References Cited

U.S. PATENT DOCUMENTS

D767,327 S * 9/2016 McConnell D7/384
 D782,866 S * 4/2017 Suess D7/378
 D793,152 S 8/2017 Gushwa et al.
 D812,416 S * 3/2018 Carlson D7/384
 D815,486 S * 4/2018 Suess D7/386
 D838,539 S * 1/2019 Shin D7/378
 D863,870 S * 10/2019 Powell D7/378
 D869,227 S * 12/2019 McConnell D7/384
 2011/0011281 A1* 1/2011 Allen A47J 43/046
 99/537

FOREIGN PATENT DOCUMENTS

CN 301428411 12/2010
 CN 301428456 12/2010
 CN 301745103 11/2011
 CN 301884255 4/2012
 CN 302066096 9/2012
 CN 302178433 11/2012
 CN 302323922 2/2013
 CN 302425581 5/2013
 CN 302962251 10/2014
 CN 303097464 2/2015
 CN 303361345 9/2015
 CN 303380452 9/2015
 CN 303624264 3/2016
 CN 303672546 5/2016
 CN 303686182 5/2016
 CN 303705272 6/2016

CN 303782168 8/2016
 CN 303999574 1/2017
 CN 304334834 10/2017
 CN 304550426 3/2018
 EM 0020950260002 9/2012

OTHER PUBLICATIONS

“KitchenAid-KFC3516TG-Mini-Processor-Tangerine”; Kitchen Aid; retrieved Nov. 26, 2018; disclosure date unknown but prior to filing date of present application; URL: <<https://www.amazon.com/KitchenAid-KFC3516TG-Mini-Processor-Tangerine>>.

“KitchenAid-KFC3516-Mini-Processor”; Kitchen Aid; retrieved Nov. 26, 2018; disclosure date unknown but prior to filing date of present application; URL: <<https://www.kitchenaid.co.uk/small-appliances/food-processor/mini-food-processor>>.

“KitchenAid-Food-Processor 2.1”; Kitchen Aid; retrieved Nov. 26, 2018; disclosure date unknown but prior to filing date of present application; URL: <<https://www.connox.com/categories/electronics/home-appliances/kitchenaid-food-processor-2-1-1.html>>.

“Cuisinart DLC-2AMR Mini-Prep Plus Processor”; Cuisinart; retrieved Nov. 26, 2018; disclosure date unknown but prior to filing date of present application; URL: <<https://www.amazon.com/Cuisinart-DLC-2A-Mini-Prep-Plus-Processor-White>>.

“Cuisinart 4-Cup Elemental Food Processor”; Cuisinart; retrieved Nov. 26, 2018; disclosure date unknown but prior to filing date of present application; URL: <<https://www.williams-sonoma.com/products/cuisinart-4-cup-elemental-food-processor>>.

* cited by examiner

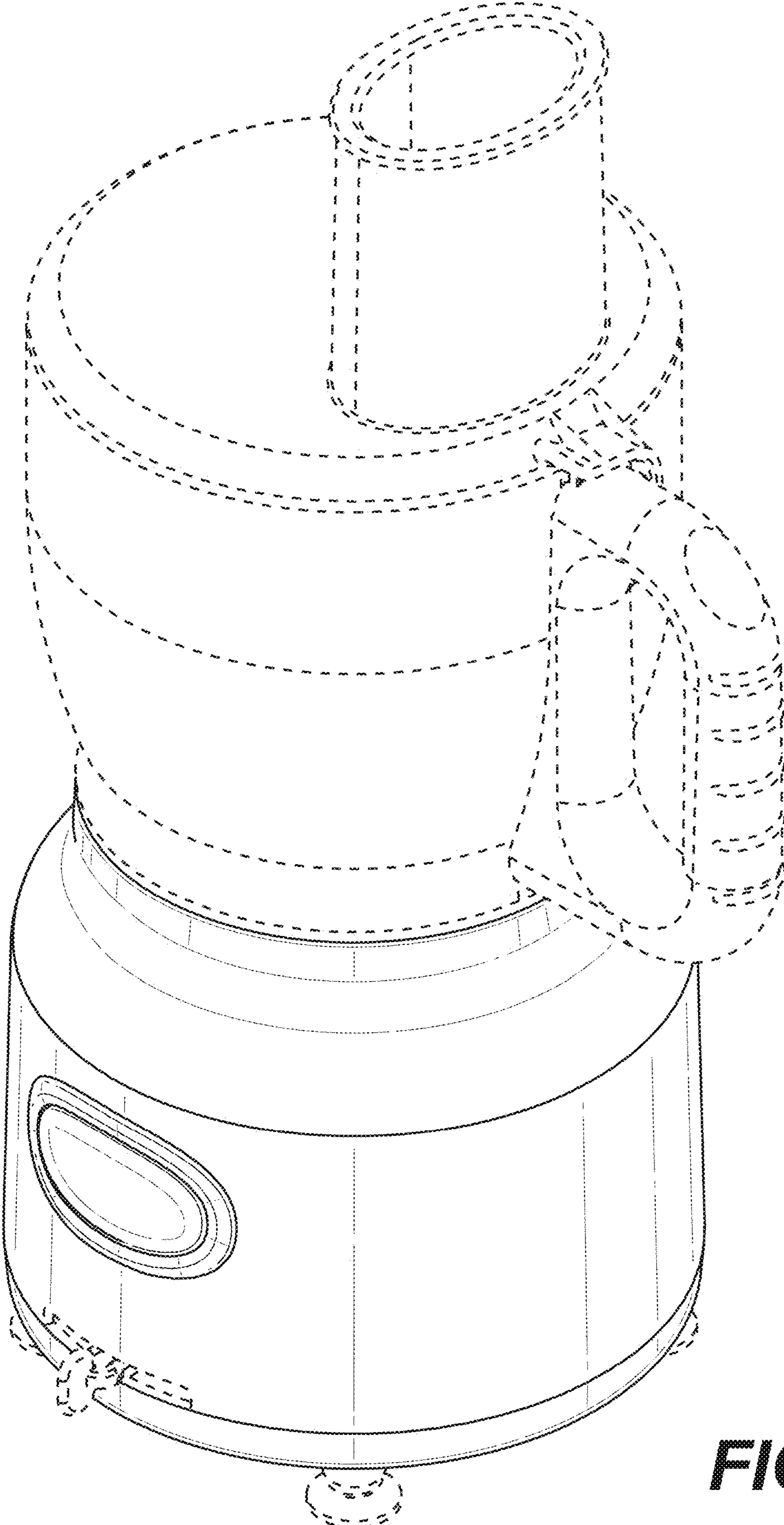


FIG. 1

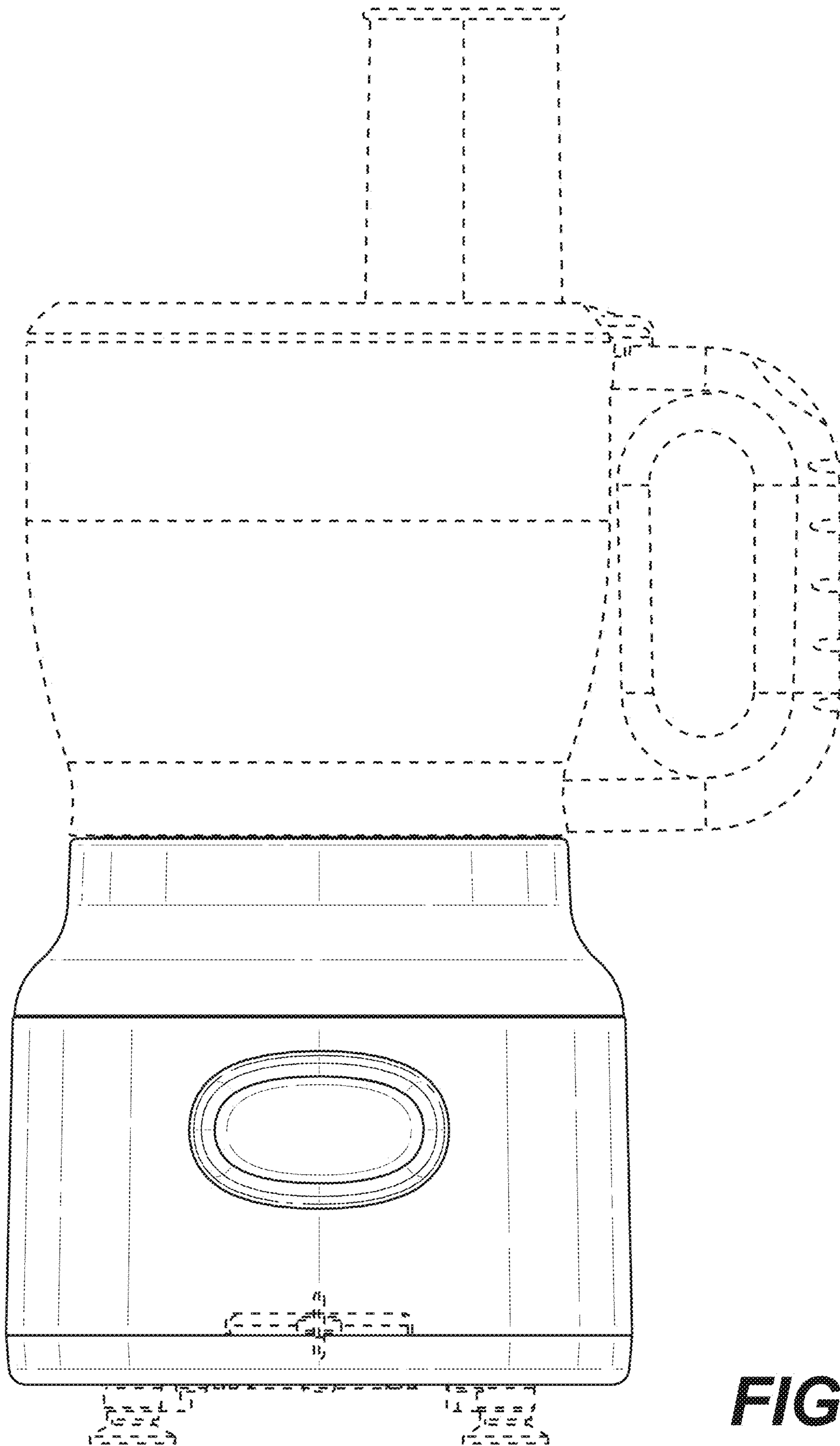


FIG. 2

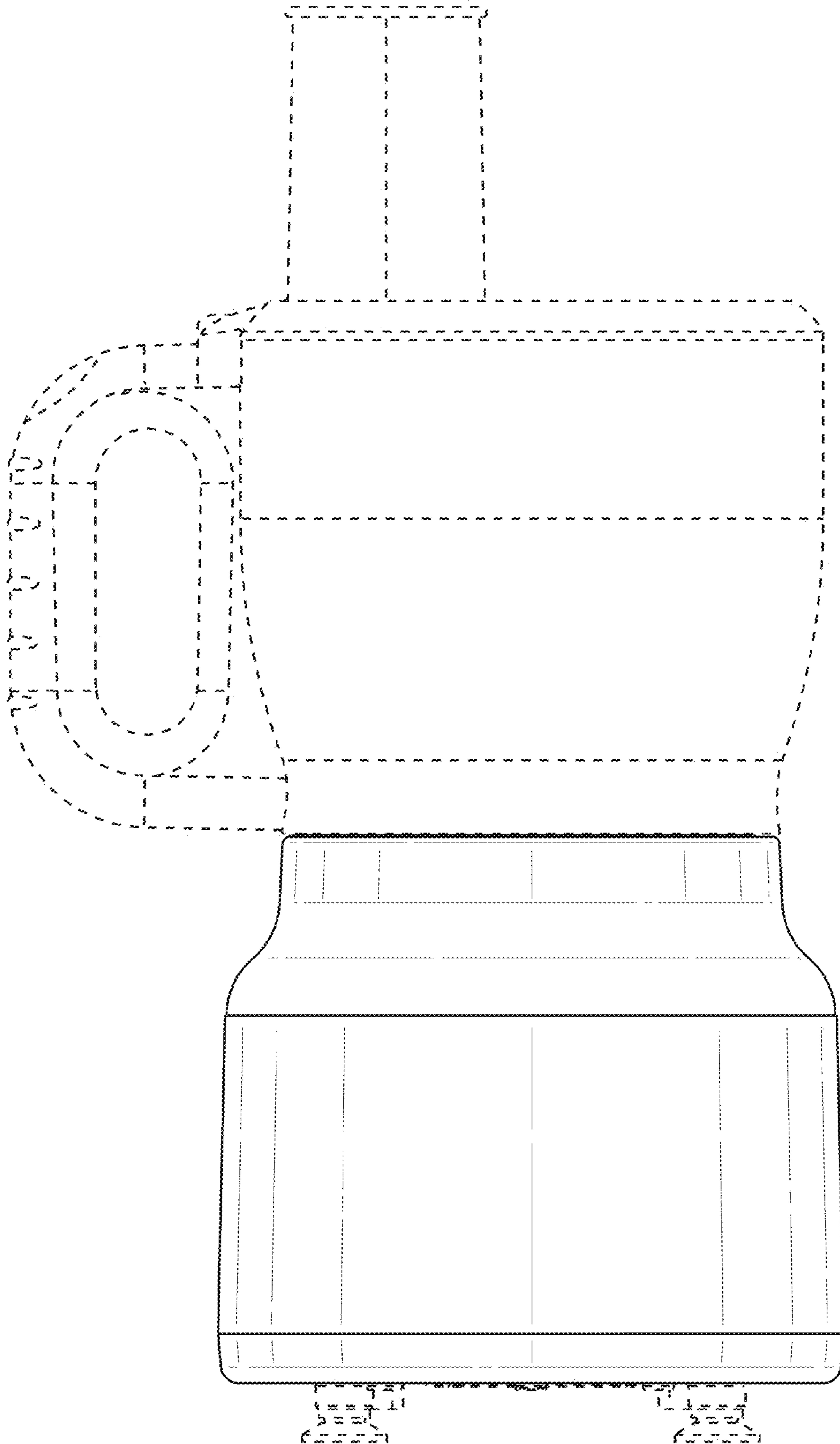


FIG. 3

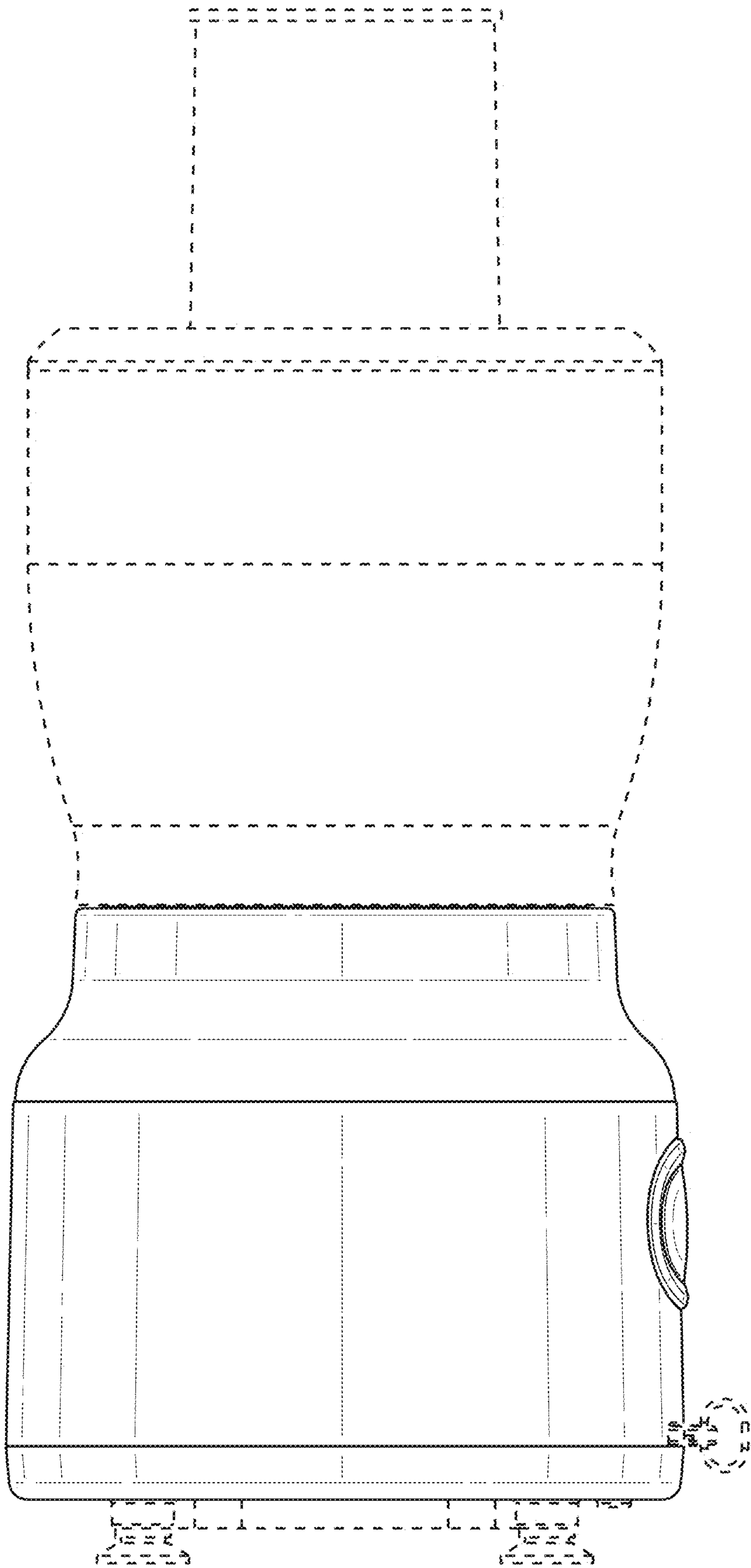


FIG. 4

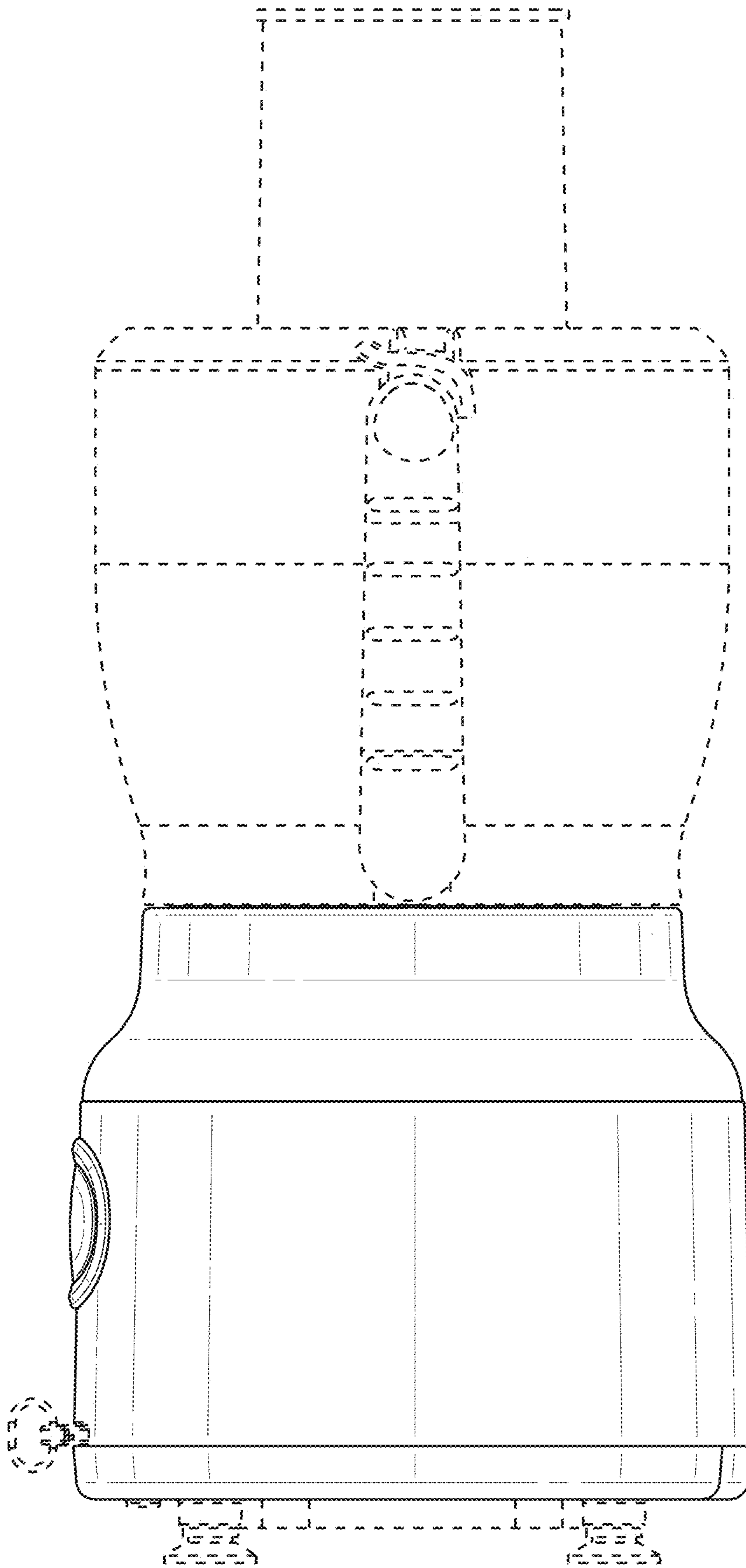


FIG. 5

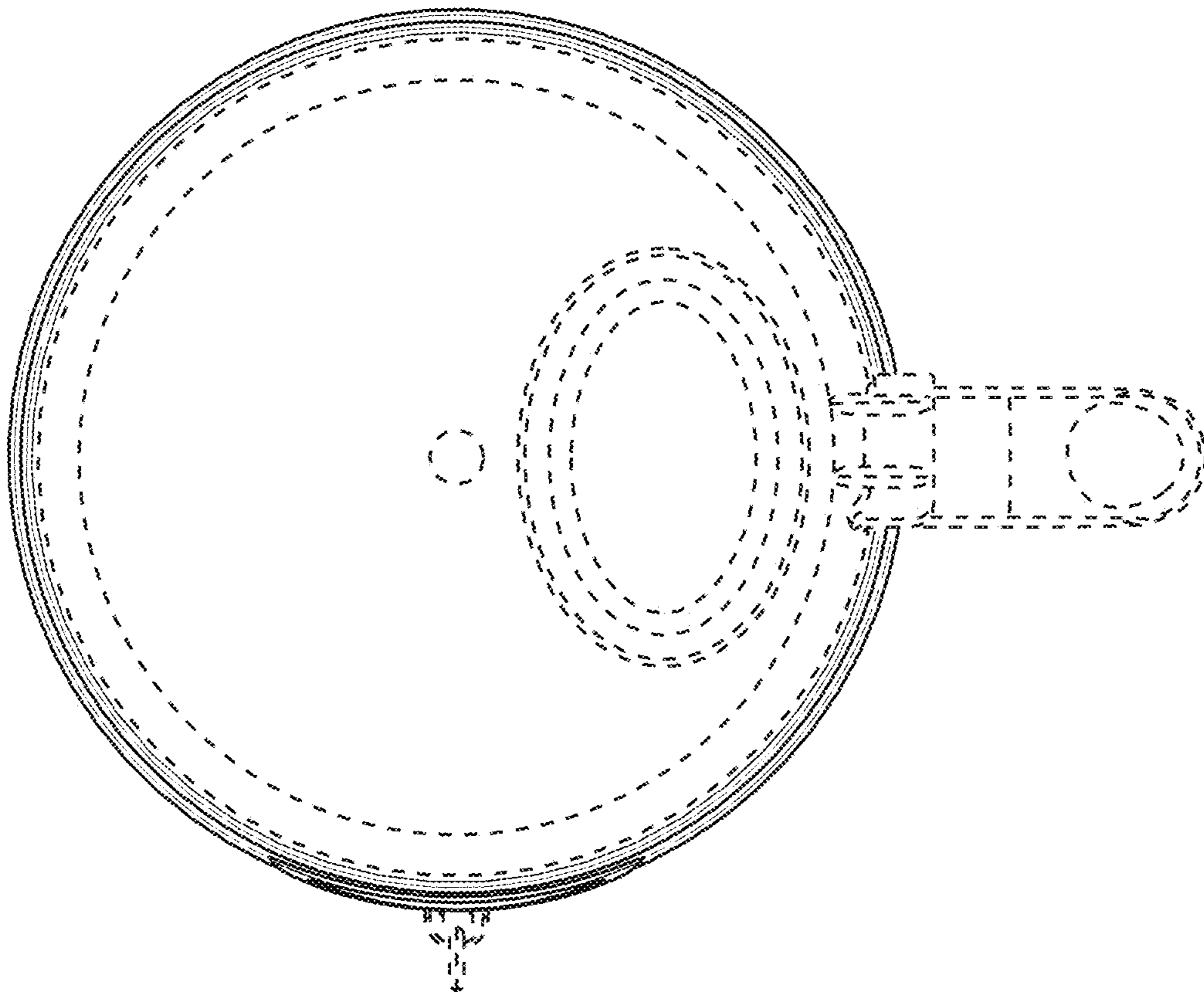


FIG. 6