



US00D903400S

(12) **United States Design Patent**
Li

(10) **Patent No.:** **US D903,400 S**

(45) **Date of Patent:** **** Dec. 1, 2020**

(54) **PORTABLE BLENDER**

(71) Applicant: **Shenzhen Shiguangxiu Technology Co., Ltd.**, Shenzhen (CN)

(72) Inventor: **Fei Li**, Shenzhen (CN)

(73) Assignee: **Shenzhen Shiguangxiu Technology Co., Ltd.**, Shenzhen (CN)

(**) Term: **15 Years**

(21) Appl. No.: **29/692,862**

(22) Filed: **May 29, 2019**

(51) **LOC (12) Cl.** **31-00**

(52) **U.S. Cl.**
USPC **D7/378; D7/376; D7/412; D7/413**

(58) **Field of Classification Search**
USPC **D7/372, 376-386, 412-413, 598, 602, D7/629, 665-666, 669, 679, 693-694; D9/520**

CPC **A21C 1/02; A21C 1/04; A23N 1/00; A23N 1/02; A47J 42/08; A47J 43/04; A47J 43/25; A47J 43/27; A47J 43/042; A47J 43/044; A47J 43/046; A47J 43/075; A47J 43/0722; A47J 43/0727; B01F 3/00; B01F 3/0807; B01F 3/0853; B01F 13/0059; B01F 13/0064; B02C 1/08; B02C 2/04; B02C 4/42; B02C 4/142; B02C 4/143; B02C 4/423; B02C 13/1835; B26D 3/26; B28C 5/10; B28C 5/12; B28C 5/14; B28C 5/16**

See application file for complete search history.

(56) **References Cited**

U.S. PATENT DOCUMENTS

D390,470 S * 2/1998 **Mahlmann** D9/520
D489,585 S * 5/2004 **Wong** D7/693

D511,658 S * 11/2005 **Sun** D7/679
D560,445 S * 1/2008 **Tardif** D7/679
D580,702 S * 11/2008 **Holcomb** D7/377
D646,932 S * 10/2011 **Melms, Jr.** D7/598
D665,620 S * 8/2012 **Chapman** D7/376
D836,385 S * 12/2018 **Arzunyan** D7/378
D871,831 S * 1/2020 **Liu** D7/378
2002/0113155 A1 * 8/2002 **Weibel** B26D 3/26
241/283
2002/0117566 A1 * 8/2002 **Cheng** A47J 42/08
241/169.1

* cited by examiner

Primary Examiner — **Ricky Pham**

(74) *Attorney, Agent, or Firm* — **ScienBiziP, P.C.**

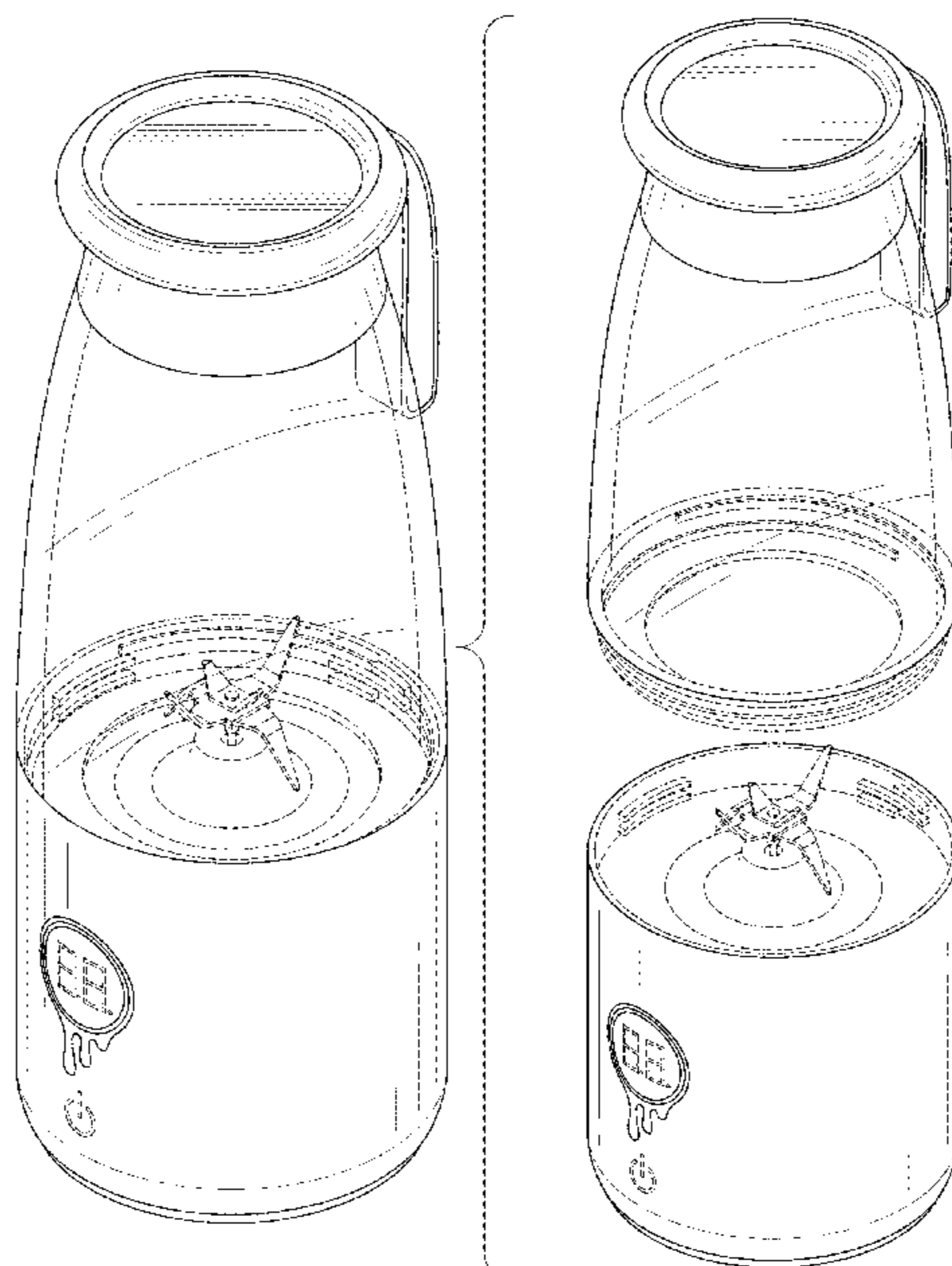
(57) **CLAIM**

The ornamental design for a portable blender, as shown and described.

DESCRIPTION

FIG. 1 is a first perspective view of a portable blender, showing my design;
FIG. 2 is a second perspective view thereof;
FIG. 3 is a front elevation view thereof;
FIG. 4 is a rear elevation view thereof;
FIG. 5 is a left side elevation view thereof;
FIG. 6 is a right side elevation view thereof;
FIG. 7 is a top plan view thereof;
FIG. 8 is a bottom plan view thereof;
FIG. 9 is a exploded view thereof; and,
FIG. 10 is a perspective view thereof, shown without a base for completeness and ease of illustration.
The broken lines are for environmental structures or boundaries and form no part of the claimed designs to be patented.

1 Claim, 10 Drawing Sheets



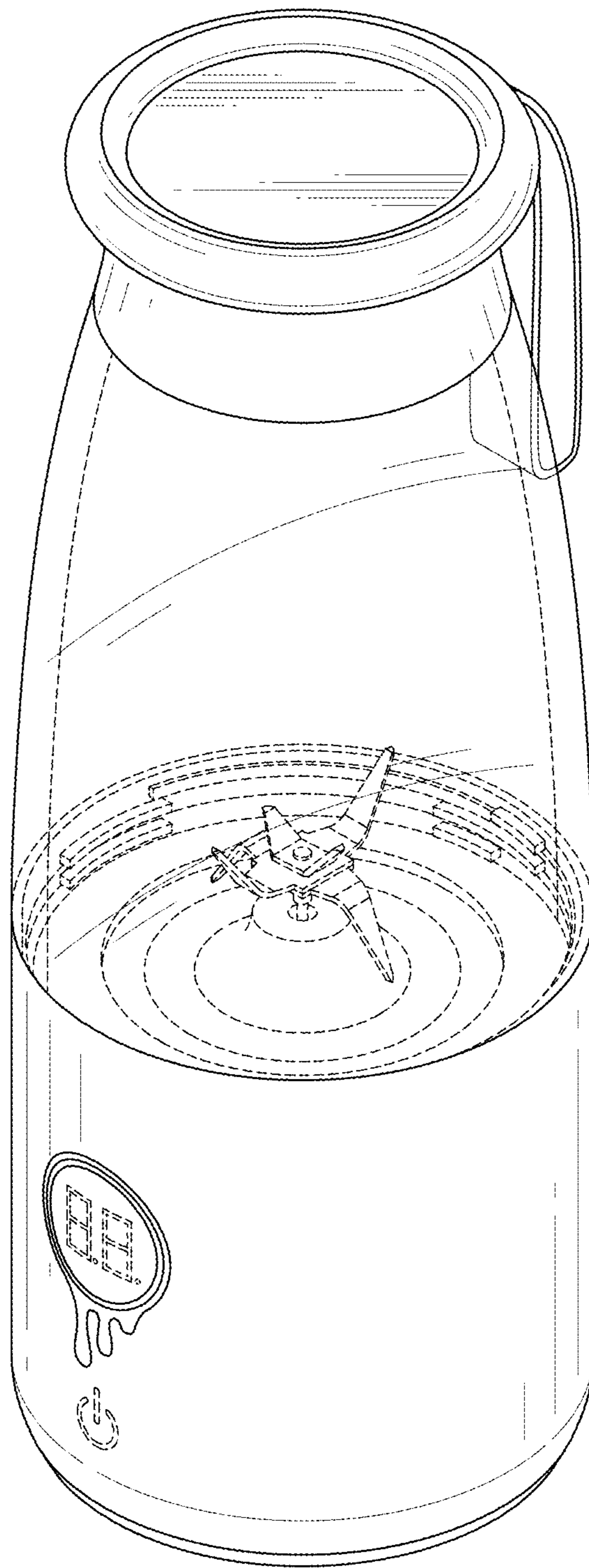


FIG. 1

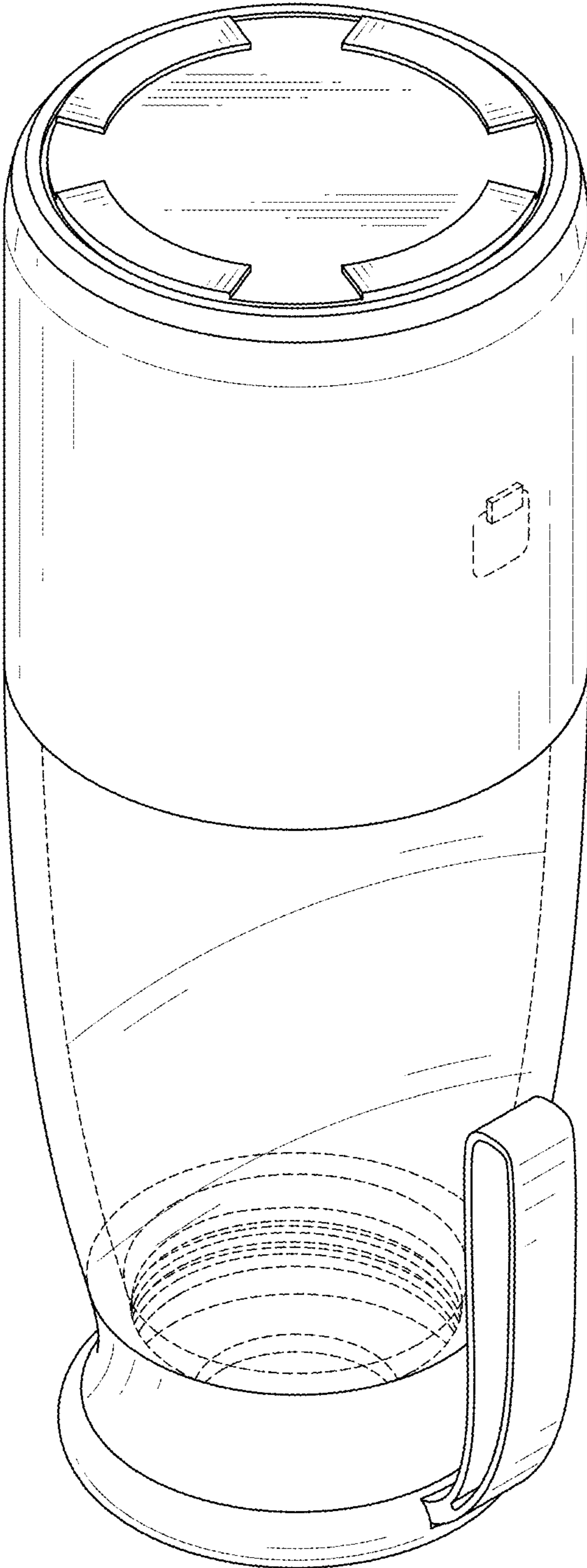


FIG. 2

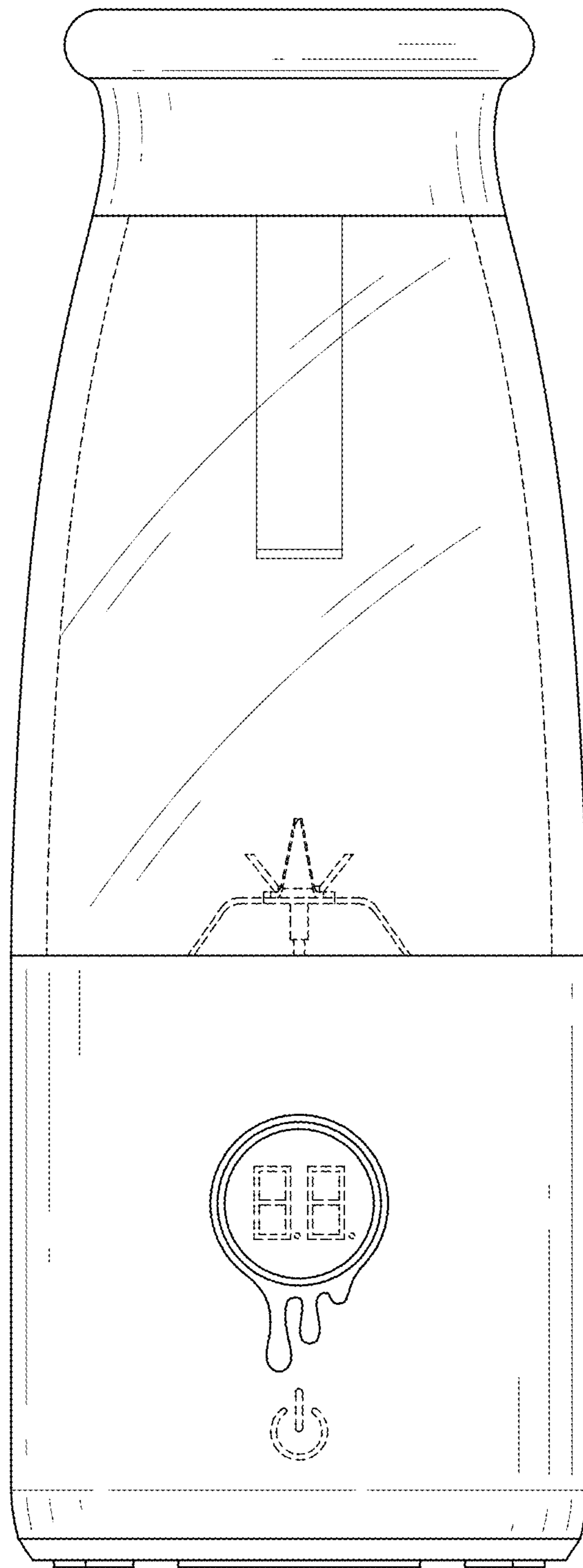


FIG. 3

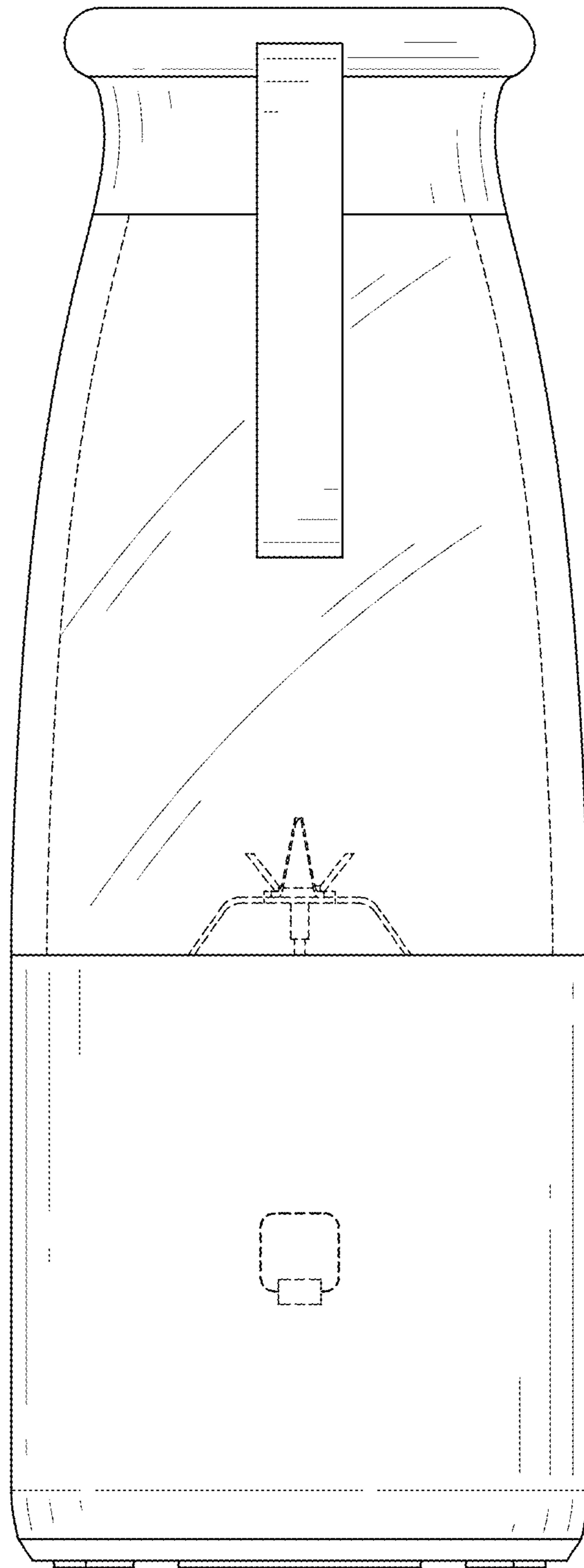


FIG. 4

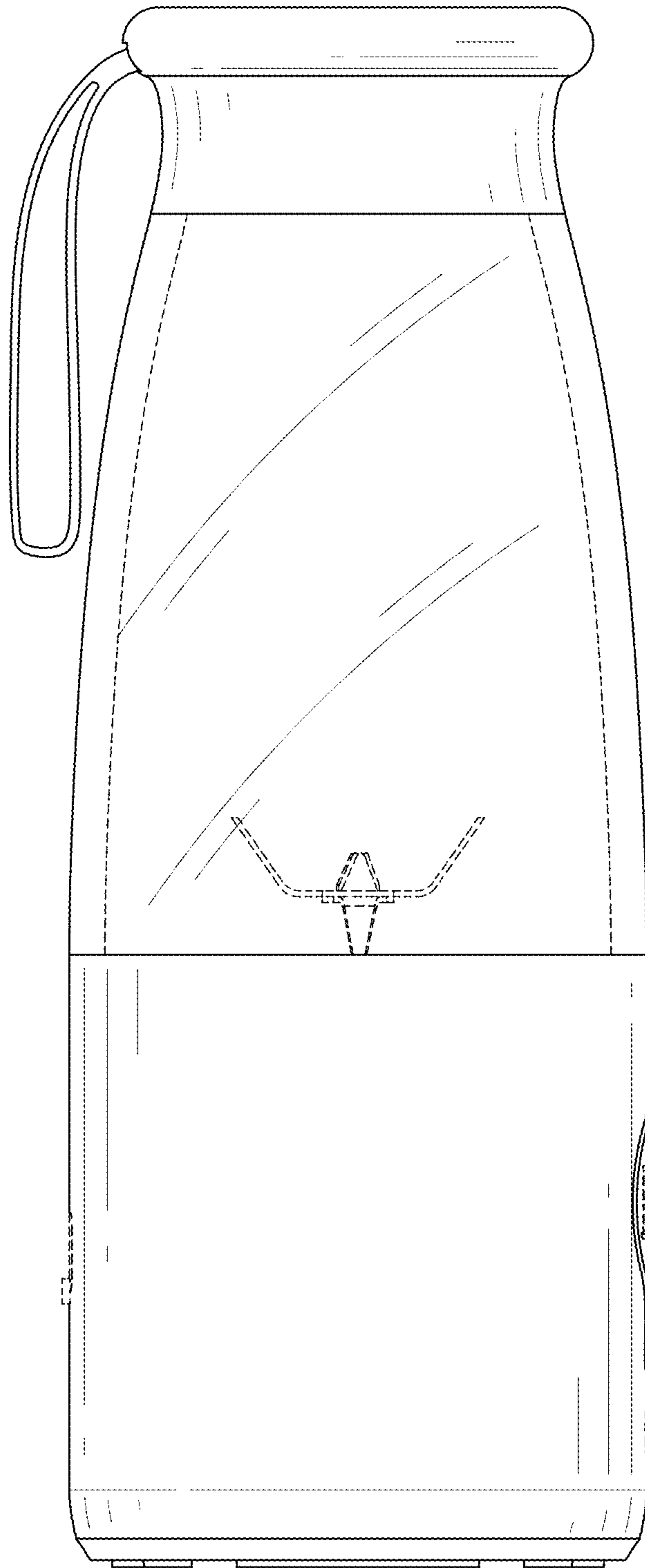


FIG. 5

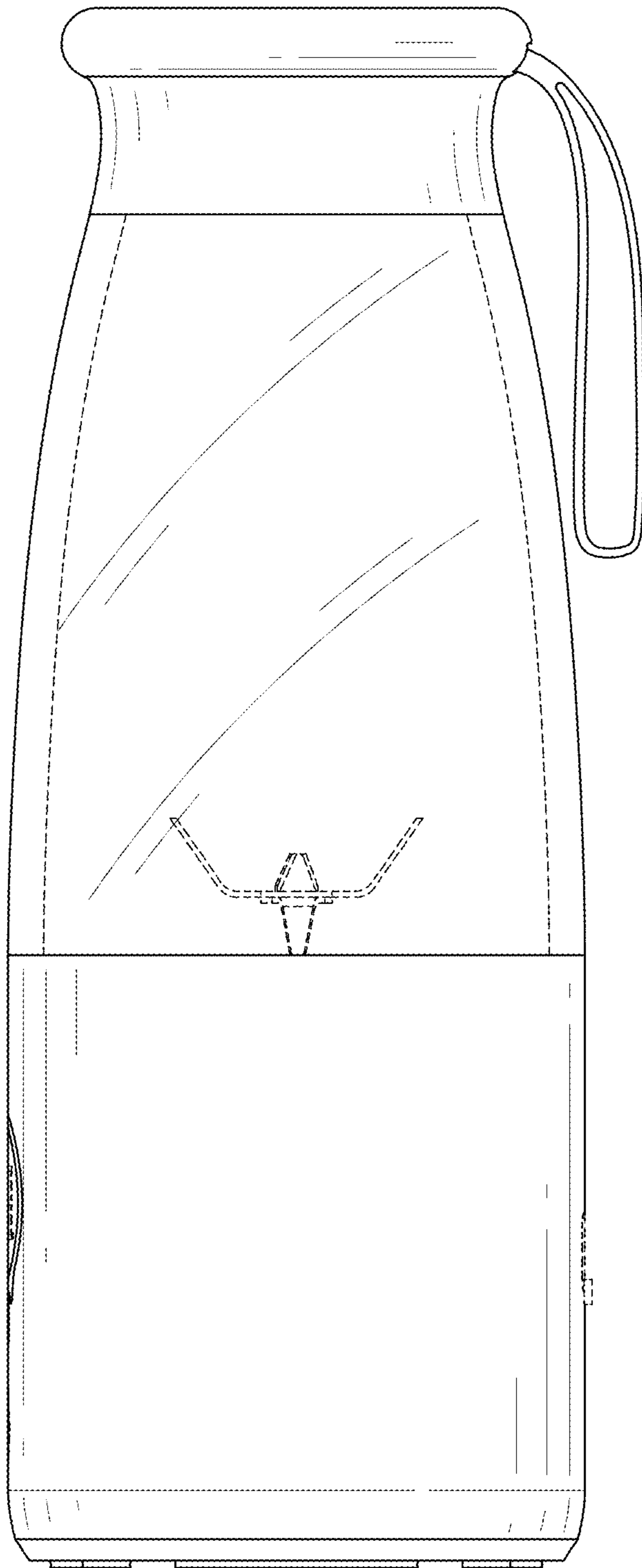


FIG. 6

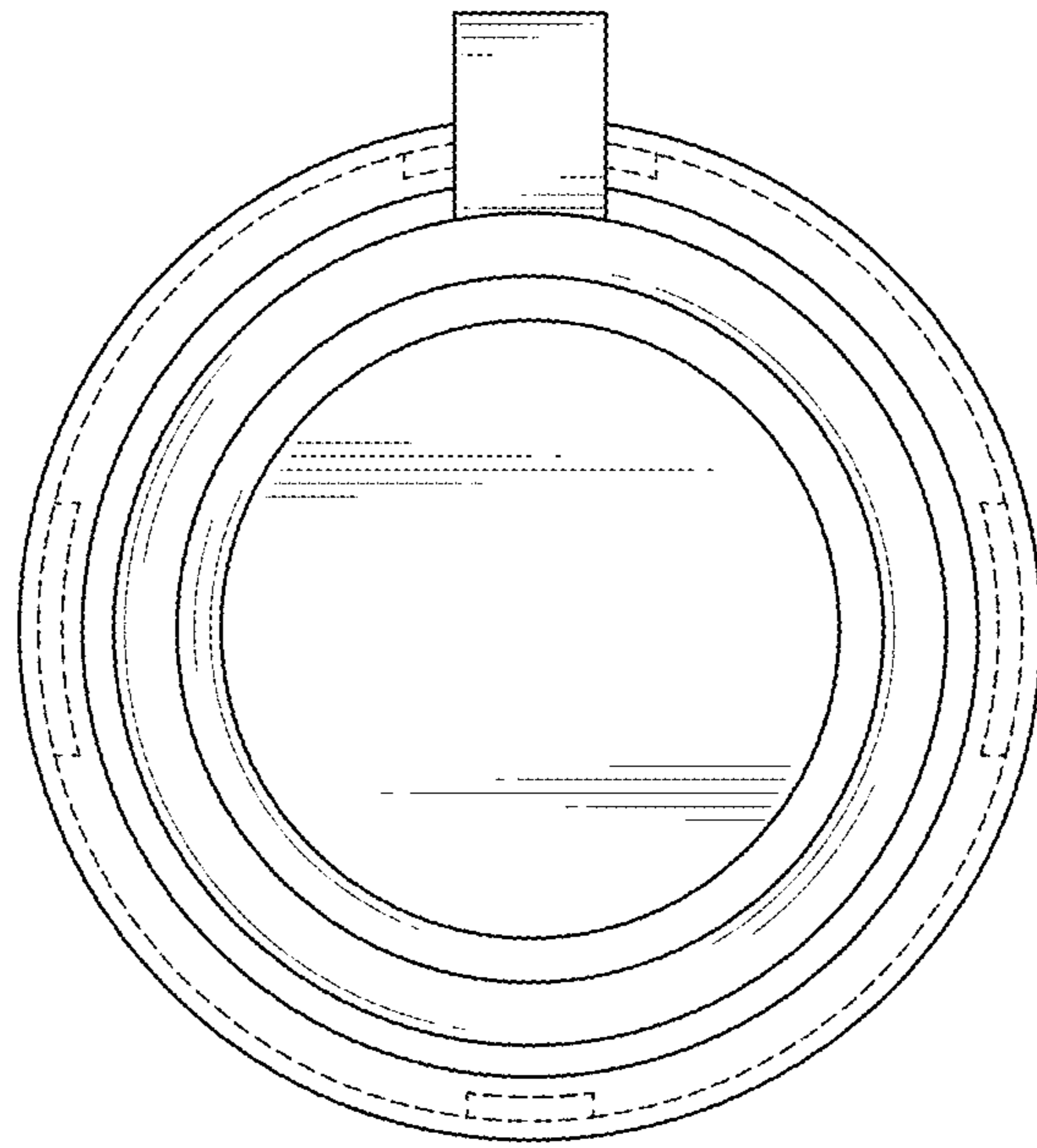


FIG. 7

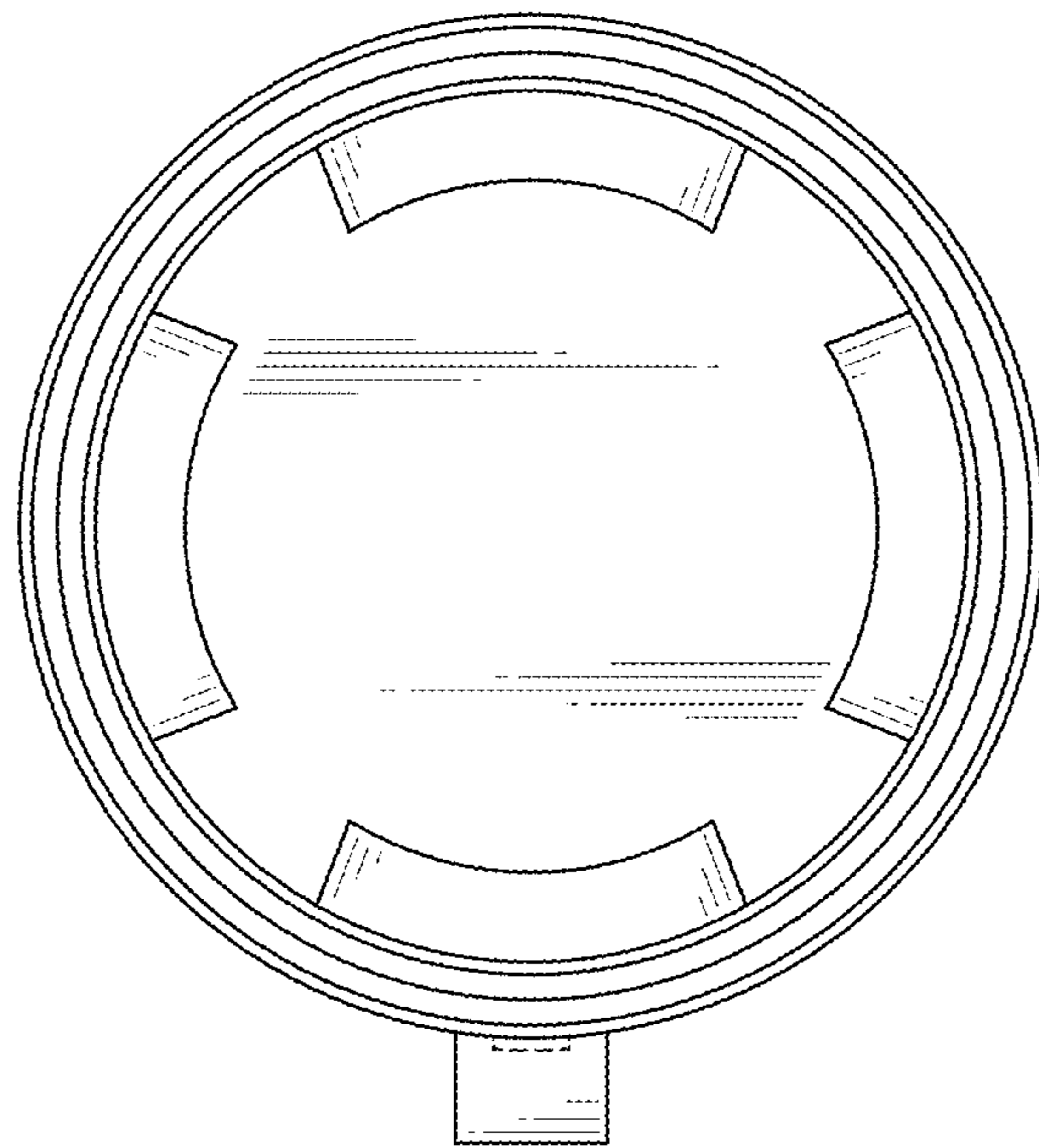


FIG. 8

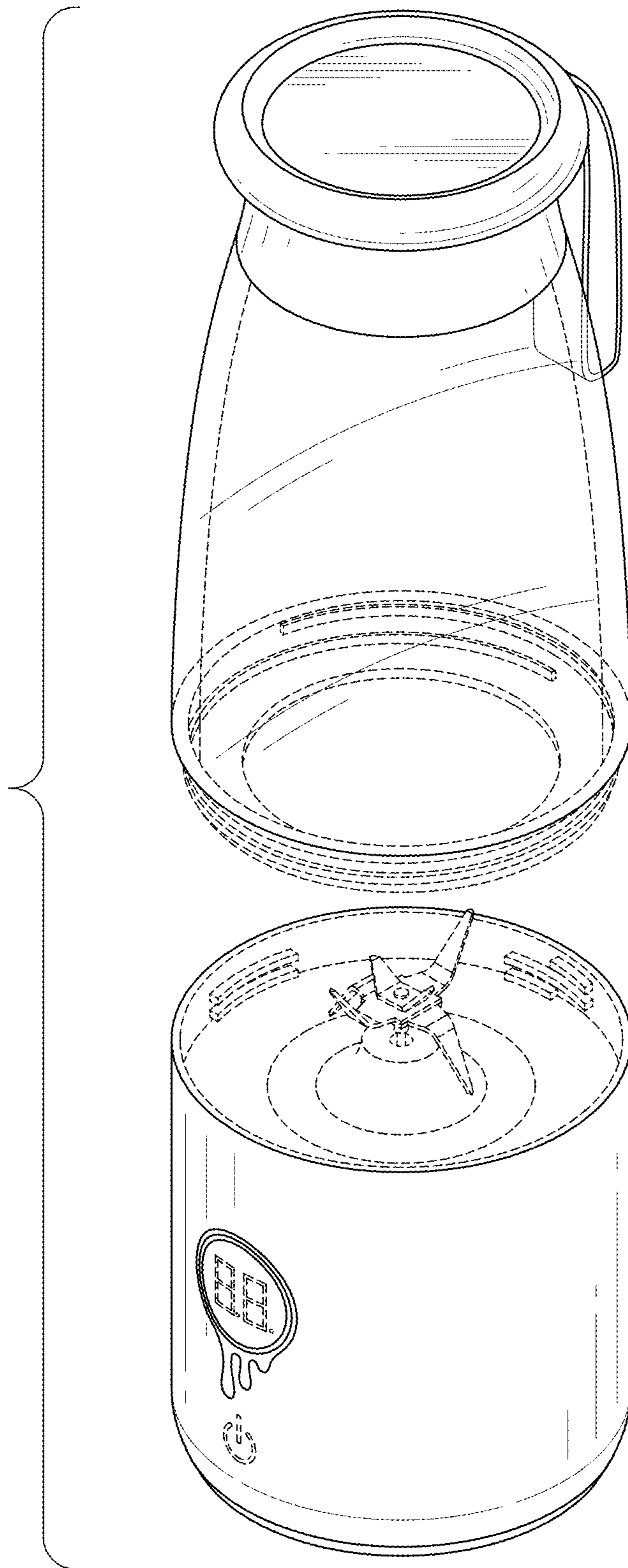


FIG. 9

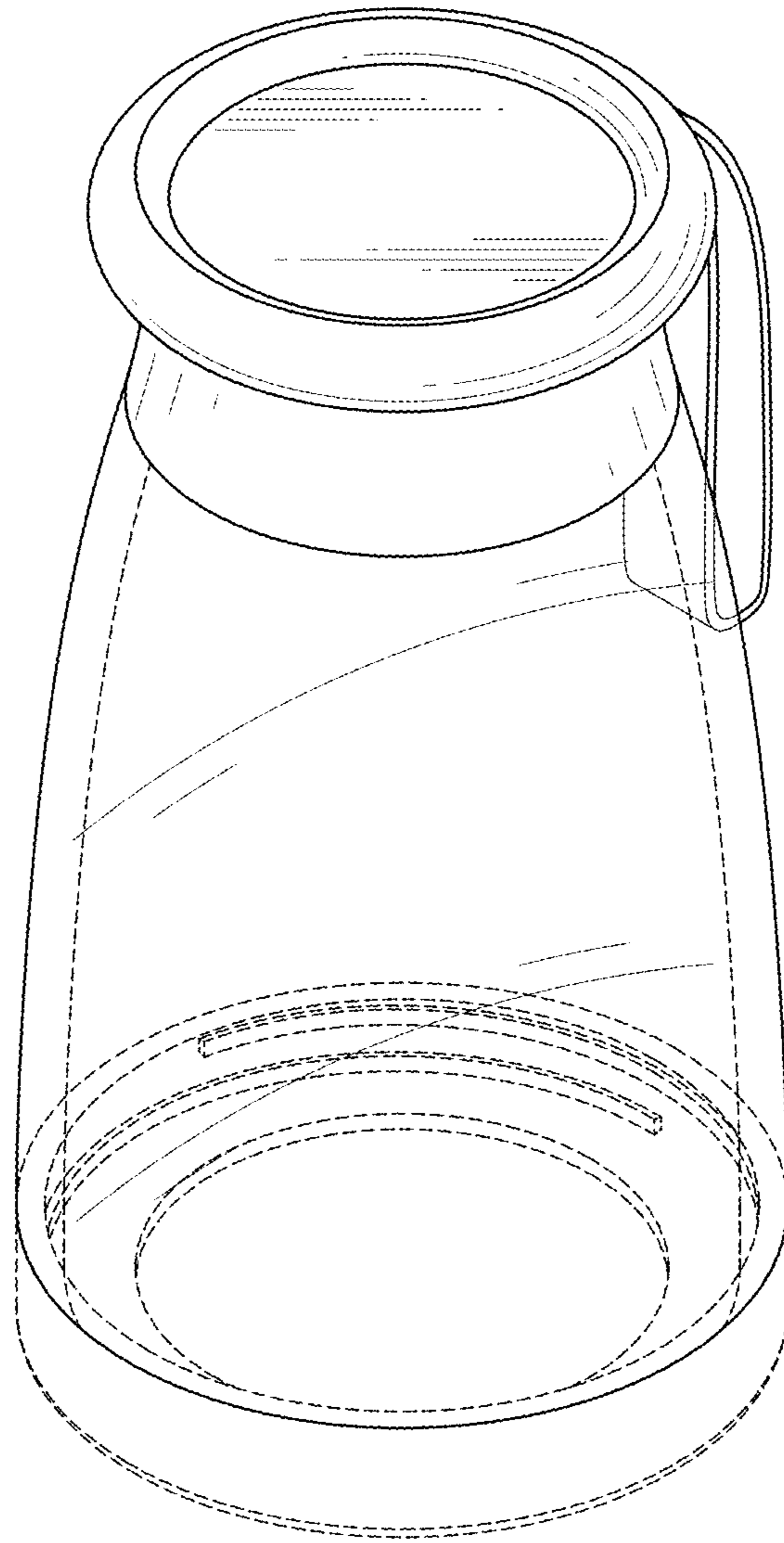


FIG. 10