



US00D903399S

(12) **United States Design Patent** (10) **Patent No.:** **US D903,399 S**
Xue (45) **Date of Patent:** **** Dec. 1, 2020**

(54) **OVEN TRAY**
(71) Applicant: **NINGBO TIANSHUO TECHNOLOGY CO., LTD**, Ningbo (CN)
(72) Inventor: **Bingrong Xue**, Ningbo (CN)
(73) Assignee: **Ningbo Tianshuo Technology Co., Ltd** (CN)

5,666,875 A * 9/1997 Wener A47J 36/06
99/422
D418,017 S * 12/1999 Henry D7/545
D462,231 S * 9/2002 Kari D7/354
D472,767 S * 4/2003 Gebhardt D7/545
D526,851 S * 8/2006 Groff D7/552.1
D549,042 S * 8/2007 Vals D7/359
D551,492 S * 9/2007 Schuler D7/354
D560,099 S * 1/2008 Hatcher D7/554.3
D563,122 S * 3/2008 Kreiss D6/691
D663,570 S * 7/2012 Sarnoff D7/354
(Continued)

(**) Term: **15 Years**

FOREIGN PATENT DOCUMENTS

(21) Appl. No.: **29/706,909**

KR 300854678.0000 * 9/2015

(22) Filed: **Sep. 25, 2019**

OTHER PUBLICATIONS

(51) **LOC (12) Cl.** **07-02**

(52) **U.S. Cl.**
USPC **D7/360**

Nordic Ware 12.3" Non-Stick Aluminized Steel Roaster, announced Nov. 30, 2019 [online], retrieved Sep. 25, 2020, retrieved from internet, <https://www.wayfair.com/kitchen-tabletop/pdp/nordic-ware-123-non-stick-aluminized-steel-roaster-mbzi1013.html>.*

(58) **Field of Classification Search**
USPC D7/323, 338, 352, 354, 355, 356, 357, D7/358, 359, 360, 361, 362, 363, 364, D7/365, 366, 367, 402, 407, 409; D9/736, 749, 755, 758, 760, 456
CPC .. A21B 3/00; A21B 3/13; A21B 3/131; A21B 3/132; A21B 3/135; A21B 3/136; A21B 3/137; A21B 3/15; A21B 5/00; A21B 5/02; A21B 5/04; A47J 27/00; A47J 36/00; A47J 36/02; A47J 36/06; A47J 36/16; A47J 36/24; A47J 36/022; A47J 36/027; A47J 37/00; A47J 37/01; A47J 37/04; A47J 37/06; A47J 37/10; A47J 37/07; A47J 37/0781; A47J 43/20
See application file for complete search history.

(Continued)

Primary Examiner — Dana K Weiland
Assistant Examiner — Messina L Smith

(56) **References Cited**

U.S. PATENT DOCUMENTS

1,339,625 A * 5/1920 Holloway A47J 37/106
99/346
1,741,400 A * 12/1929 Bocchino A47J 37/041
99/421 H
D380,347 S * 7/1997 Norton D7/409

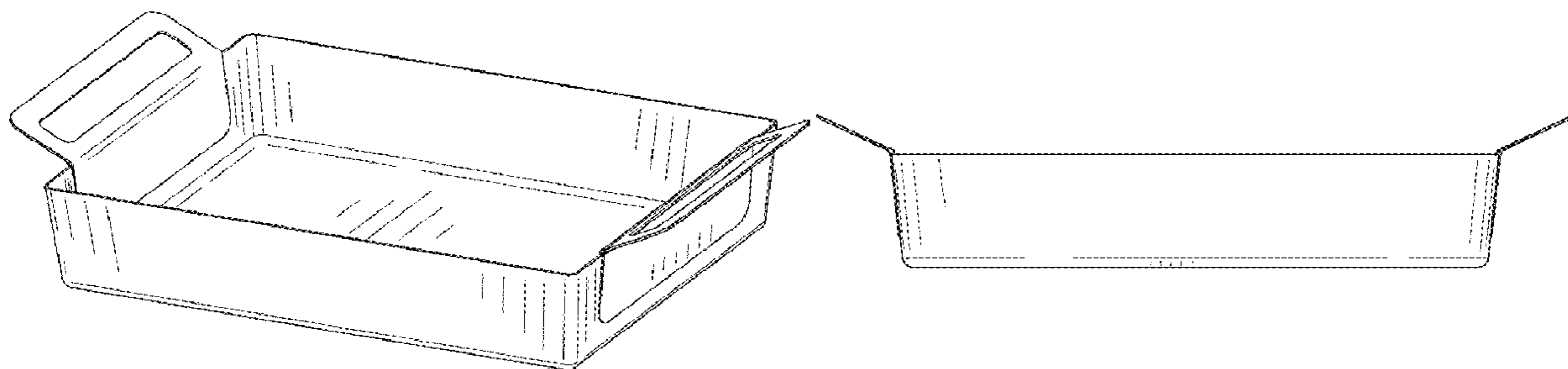
(57) **CLAIM**

The ornamental design for an oven tray, as shown and described.

DESCRIPTION

FIG. 1 is a perspective view of an oven tray showing my new design;
FIG. 2 is a front view thereof;
FIG. 3 is a back view thereof;
FIG. 4 is a left side view thereof;
FIG. 5 is a right side view thereof;
FIG. 6 is a top view thereof; and,
FIG. 7 is a bottom view thereof.

1 Claim, 7 Drawing Sheets



(56)

References Cited

U.S. PATENT DOCUMENTS

D709,727	S *	7/2014	Cloutier	D7/363
D754,467	S *	4/2016	Misner	D7/360
9,510,699	B1 *	12/2016	Miller	A47G 23/04
D796,251	S *	9/2017	Dodane	D7/360
D857,454	S *	8/2019	Makabi	D7/409
D857,500	S *	8/2019	Vish	D9/443
D858,207	S *	9/2019	Chiang	D7/554.3
D865,444	S *	11/2019	Young	D7/402
D877,572	S *	3/2020	Chiang	D7/554.3
D880,929	S *	4/2020	Demers	D7/354
2013/0186903	A1 *	7/2013	Leonard	A47J 27/002
				220/574
2013/0277264	A1 *	10/2013	Sarnoff	A47J 45/062
				206/514
2018/0153340	A1 *	6/2018	Viner	A47J 36/027
2018/0168394	A1 *	6/2018	Casternovia	A47J 36/022
2018/0332862	A1 *	11/2018	Horne	A21B 3/13

OTHER PUBLICATIONS

15.5×10.5 Inch Seasoned Cast Iron Baking Pan, no announcement date [online], retrieved Sep. 25, 2020, retrieved from internet, <https://www.lodgecastiron.com/product/seasoned-cast-iron-baking-pan?sku=BW15BP>.*

Stainless Steel Roast Pan with Folding Handles, announced © 2012-2020 [online], retrieved Sep. 25, 2020, retrieved from internet, http://www.vgomelauri.com/pans-yrtgdf-2_3/stainless-steel-roast-pan-with-folding-handles-chef-direct-rectangular-lasagna-pan-for-baking-grilling-roasting-otg-oven-safe-length-.*

* cited by examiner

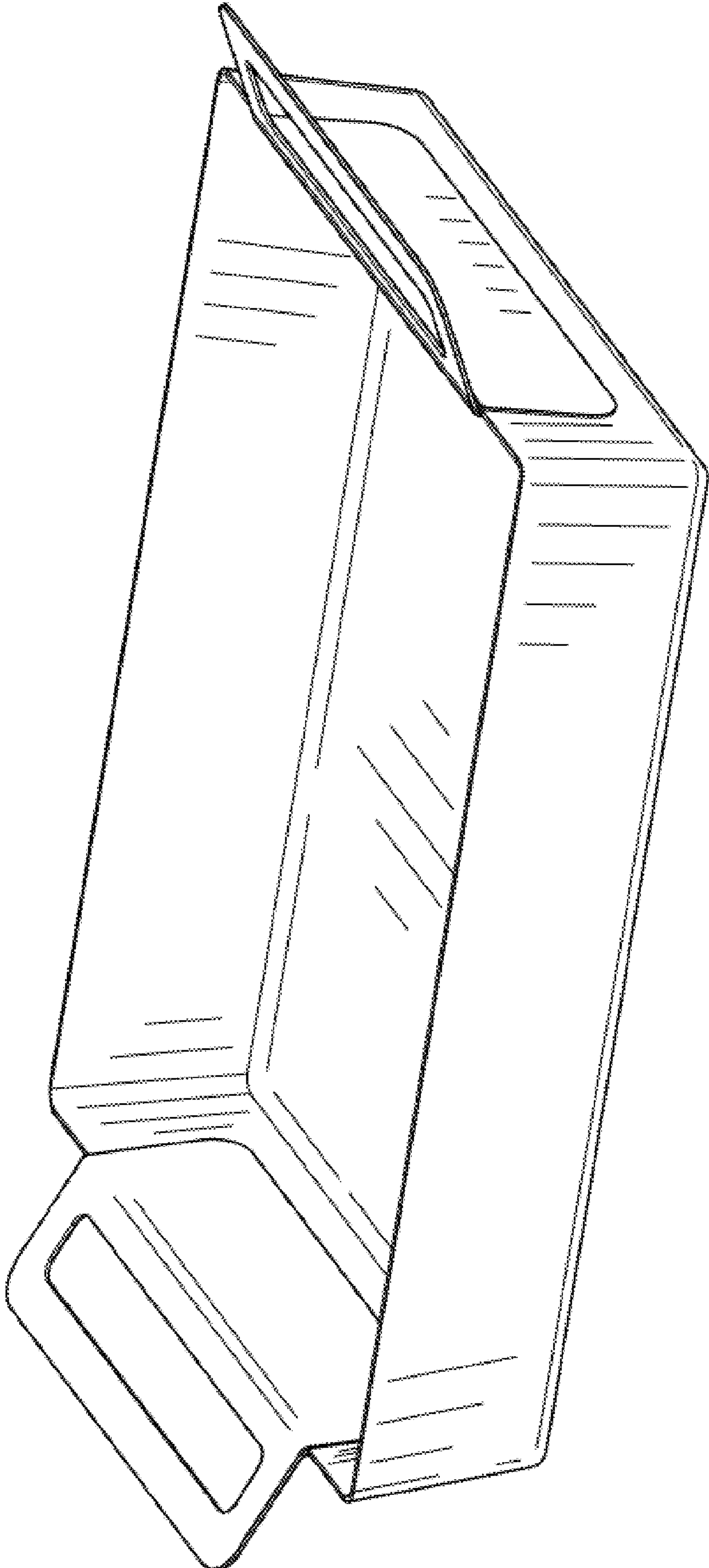


FIG.1

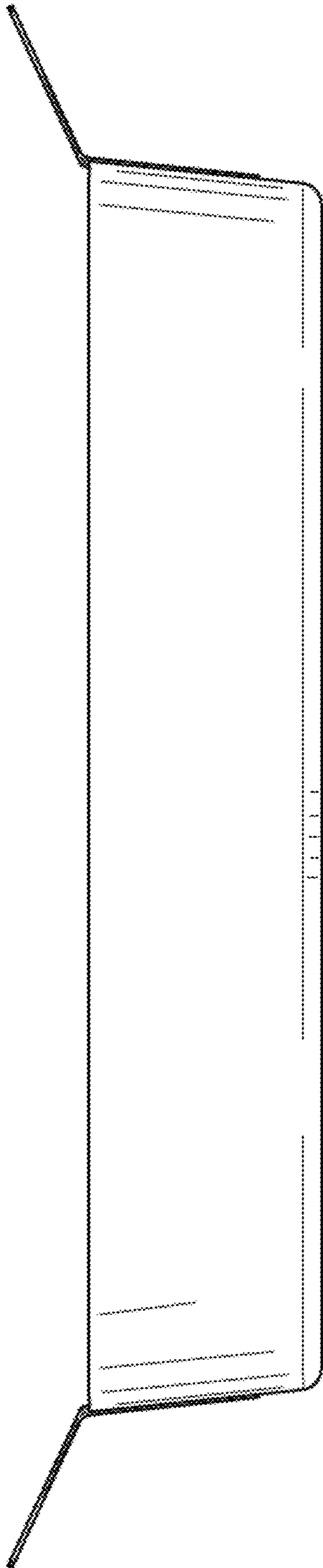


FIG.2

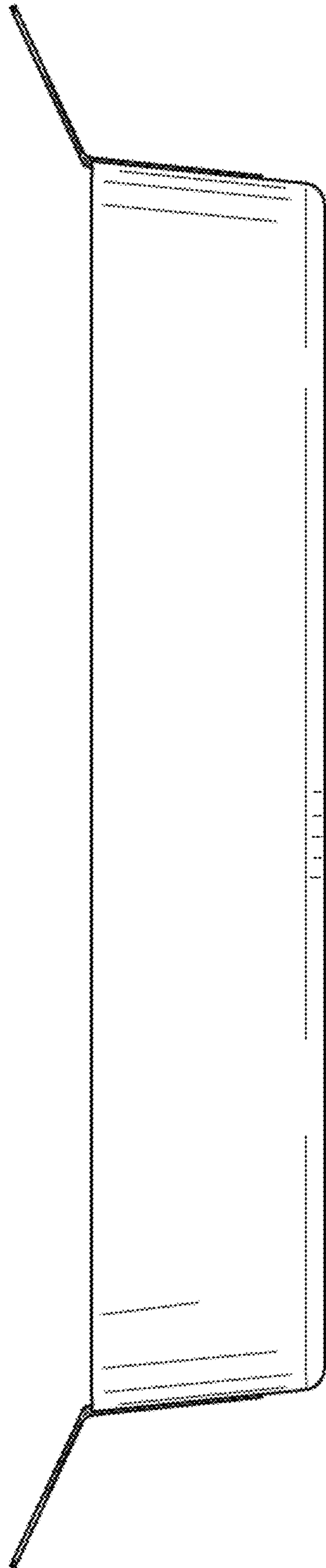


FIG.3



FIG.4



FIG.5

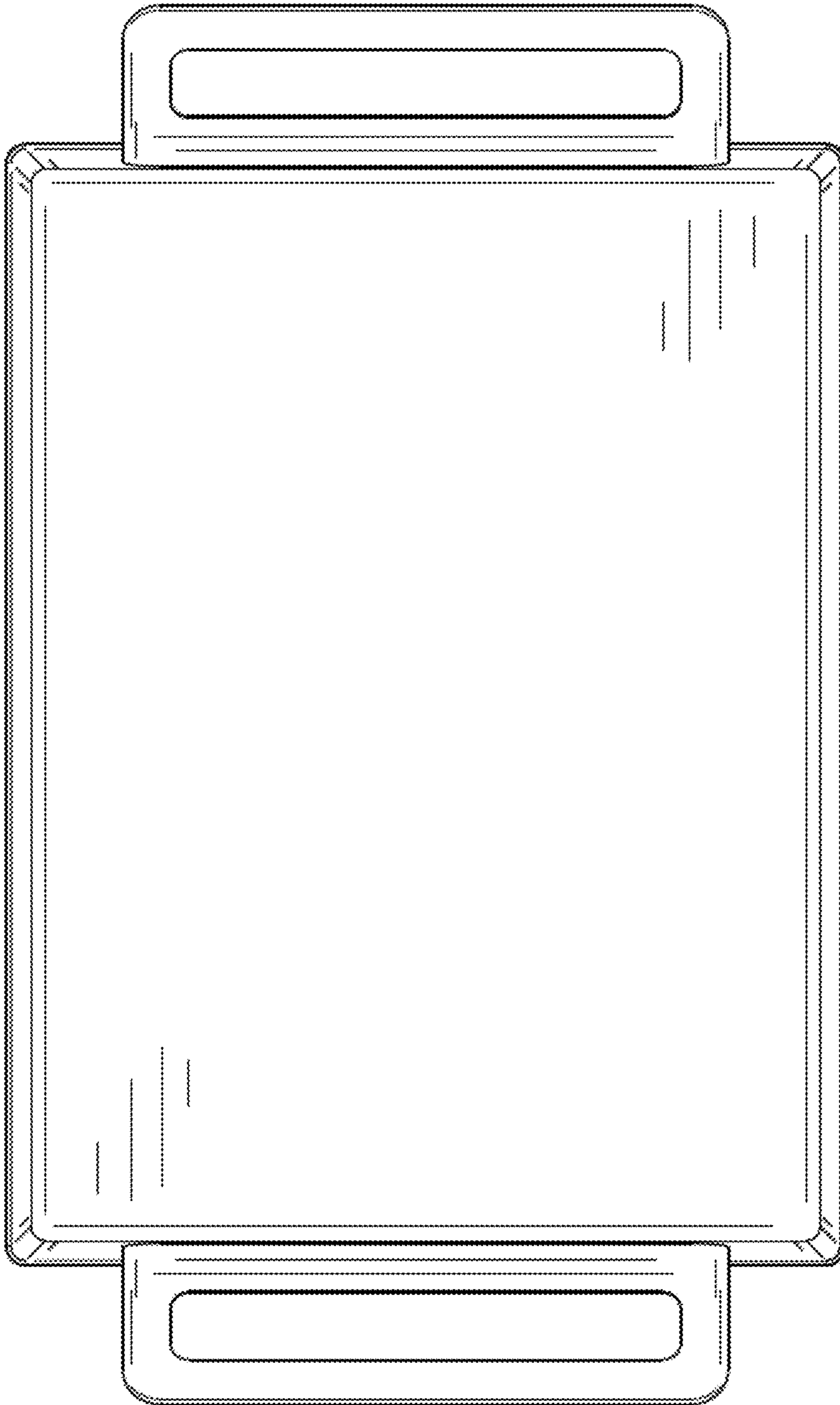


FIG.6

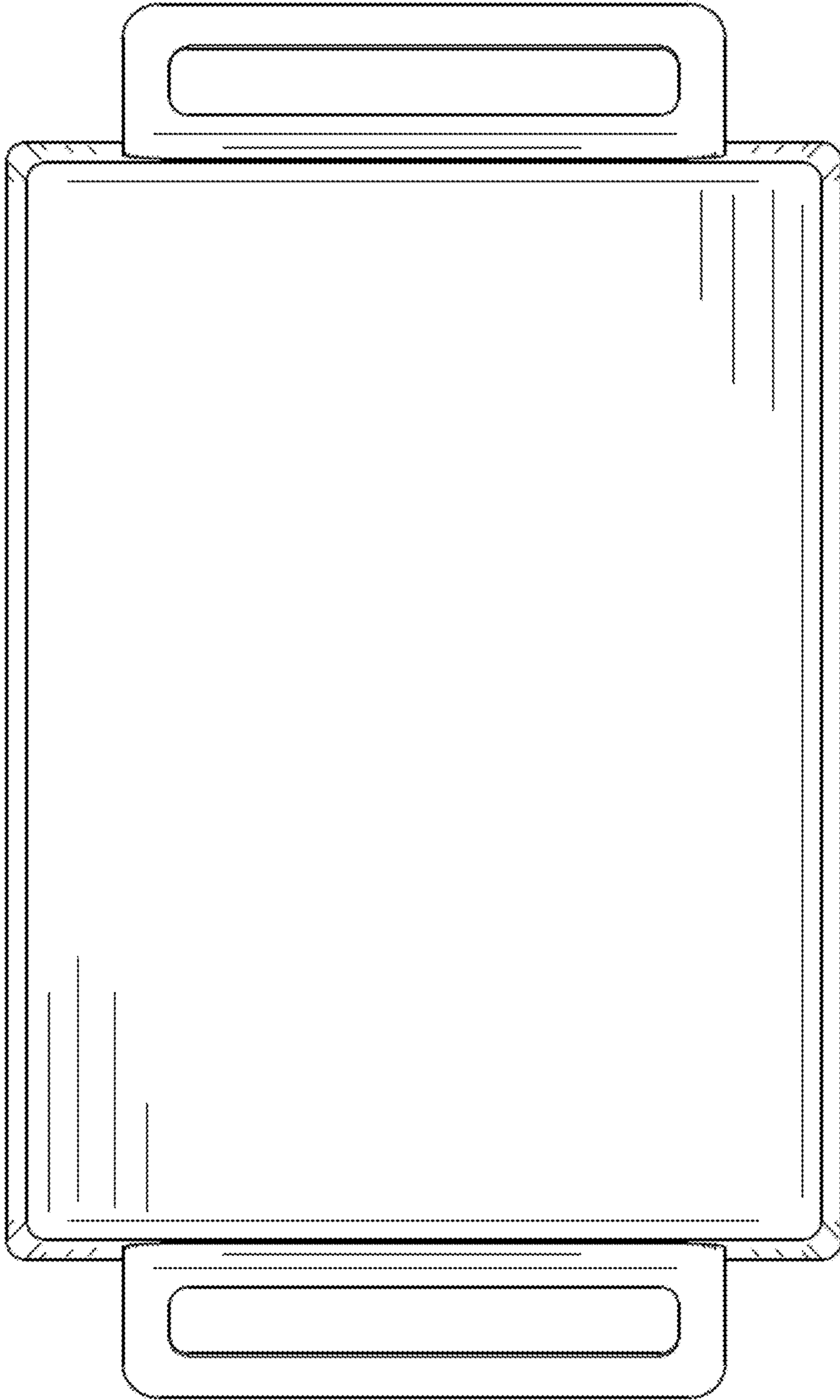


FIG. 7