



US00D903398S

(12) **United States Design Patent** (10) **Patent No.:** **US D903,398 S**
Bhogal et al. (45) **Date of Patent:** **** *Dec. 1, 2020**

(54) **OVEN**

2206/042; H05B 6/6473; H05B 6/6482;
H05B 6/6485; H05B 6/6488

(71) Applicant: **June Life, Inc.**, San Francisco, CA
(US)

See application file for complete search history.

(72) Inventors: **Nikhil Bhogal**, San Francisco, CA
(US); **Danielle Sheehan**, San Francisco,
CA (US); **Gabe Risk**, San Francisco,
CA (US); **Amanda Tyree**, San
Francisco, CA (US); **Nikko Lubinski**,
San Francisco, CA (US); **Matt Van
Horn**, San Francisco, CA (US);
William Drew Atkinson, San
Francisco, CA (US)

(56) **References Cited**

U.S. PATENT DOCUMENTS

5,422,458 A	6/1995	Simmel	
D380,643 S *	7/1997	Piret	D7/350.4
D463,198 S	9/2002	Nishikawa	
6,812,444 B2	11/2004	Ahn	
6,965,101 B2	11/2005	Kim et al.	
D525,075 S	7/2006	Jeon	
D539,592 S	4/2007	Jeon	
D540,613 S	4/2007	Jeon	
D541,578 S *	5/2007	Jeon	D7/350.1
D586,180 S *	2/2009	Pino	D7/405
D602,306 S *	10/2009	Lavy	D7/350.1
D625,557 S *	10/2010	Pino	D7/405

(Continued)

Primary Examiner — Cynthia M. Chin

(74) *Attorney, Agent, or Firm* — Jeffrey Schox; Diana Lin

(73) Assignee: **June Life, Inc.**, San Francisco, CA
(US)

(*) Notice: This patent is subject to a terminal dis-
claimer.

(**) Term: **15 Years**

(57) **CLAIM**

We claim the ornamental design for an oven, as shown and
described.

(21) Appl. No.: **29/622,386**

(22) Filed: **Oct. 17, 2017**

DESCRIPTION

Related U.S. Application Data

(63) Continuation of application No. 29/594,441, filed on
Feb. 17, 2017, now Pat. No. Des. 802,996, which is
a continuation-in-part of application No. 29/529,543,
filed on Jun. 8, 2015, now Pat. No. Des. 782,864.

(51) **LOC (12) Cl.** **07-02**

(52) **U.S. Cl.**
USPC **D7/350.1**

(58) **Field of Classification Search**
USPC ... D7/323, 332, 334–337, 348, 350.1–350.4,
D7/351, 402–405, 417, 338
CPC A47J 37/0623; A47J 37/0629; A47J
37/0635; A47J 37/0641; A47J 37/08;
A47J 37/0807; A47J 37/0864; H05B

FIG. 1 is an isometric view, from the top front right, of the
oven.

FIG. 2 is an isometric view, from the bottom front right, of
the oven.

FIG. 3 is an elevation view of the front of the oven.

FIG. 4 is an elevation view of the back of the oven.

FIG. 5 is an elevation view of the right side of the oven.

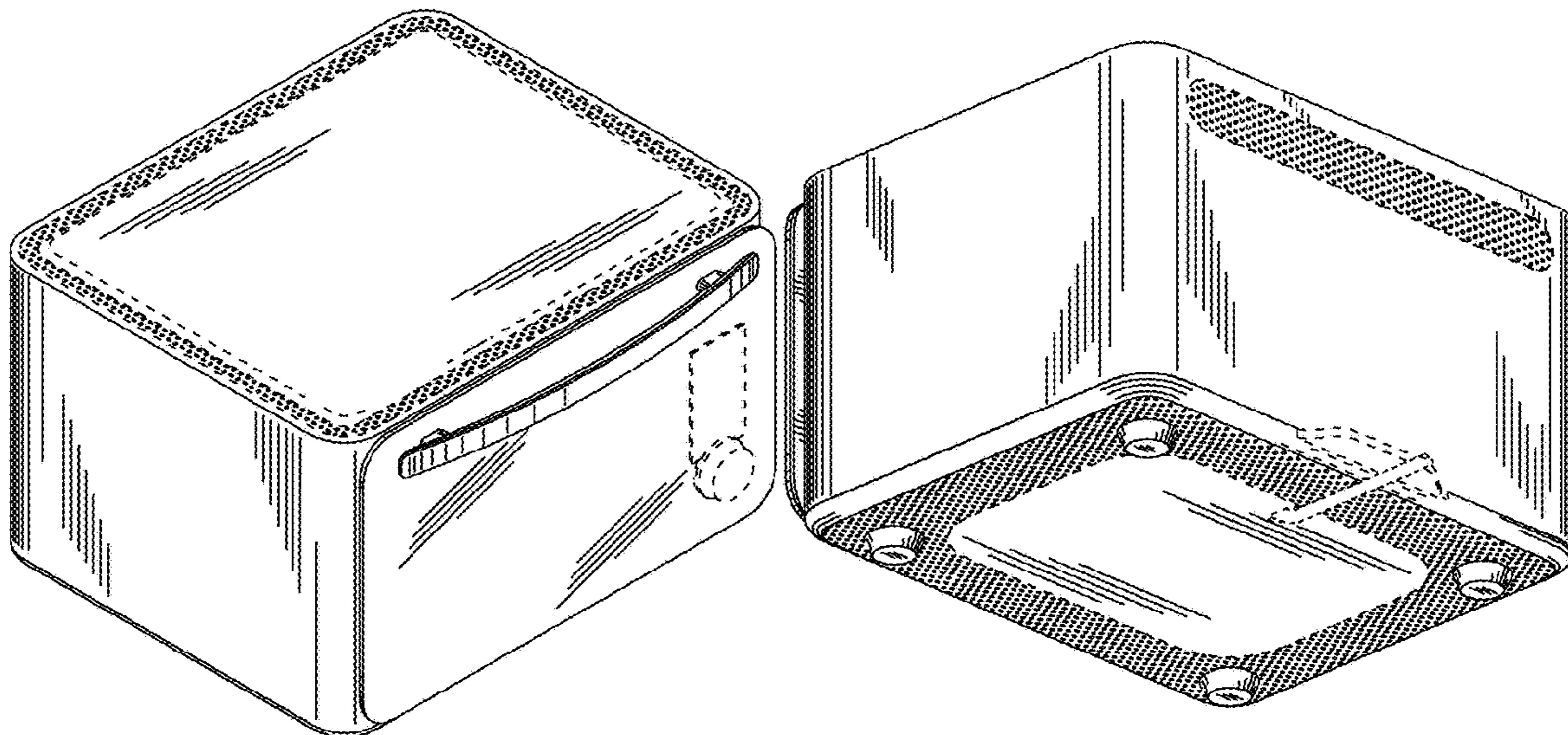
FIG. 6 is an elevation view of the left side of the oven.

FIG. 7 is a plan view of the top of the oven; and,

FIG. 8 is a plan view of the bottom of the oven.

The broken lines shown are included for the purpose of
illustrating portions of the article which form no part of the
claimed design.

1 Claim, 4 Drawing Sheets



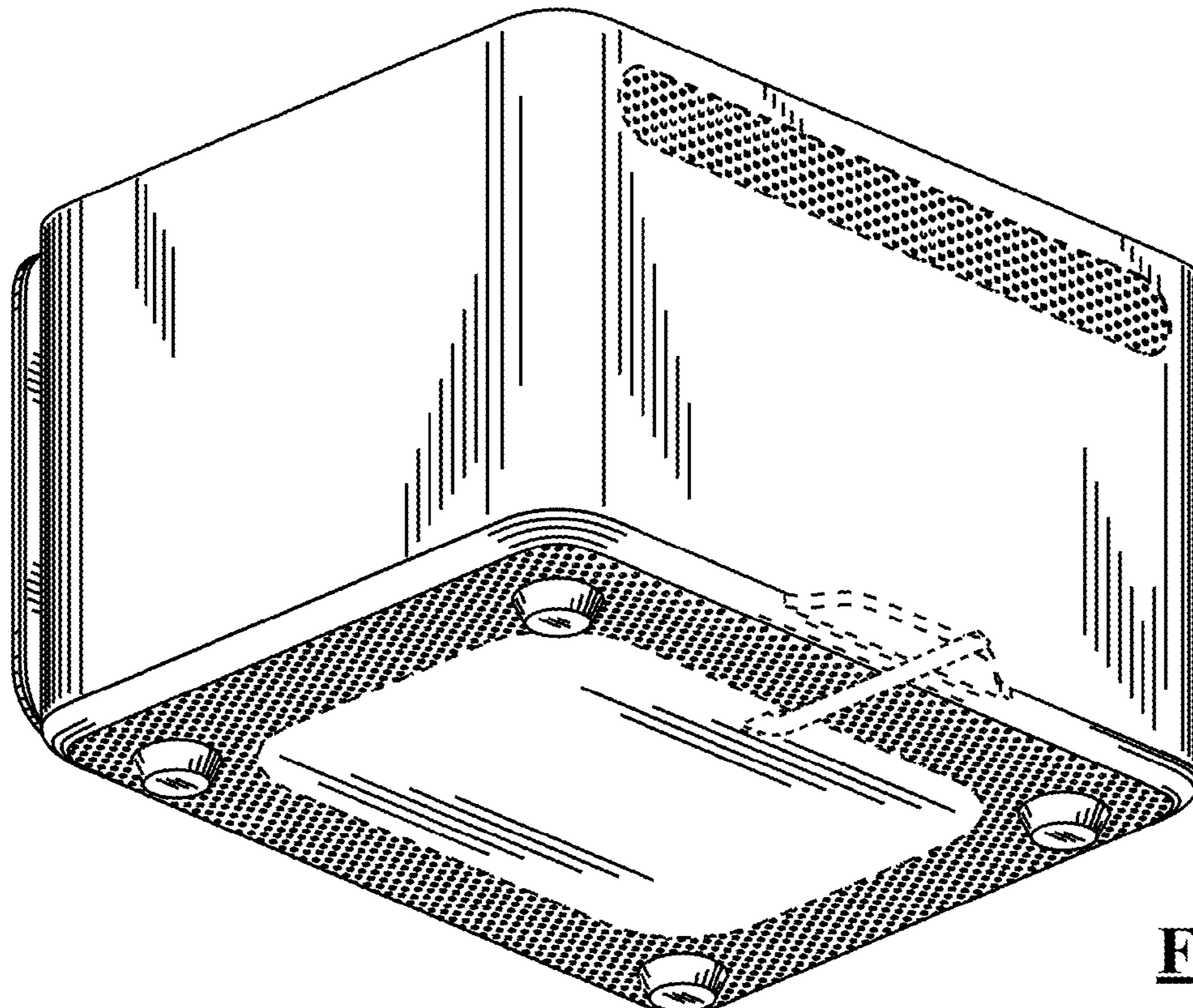
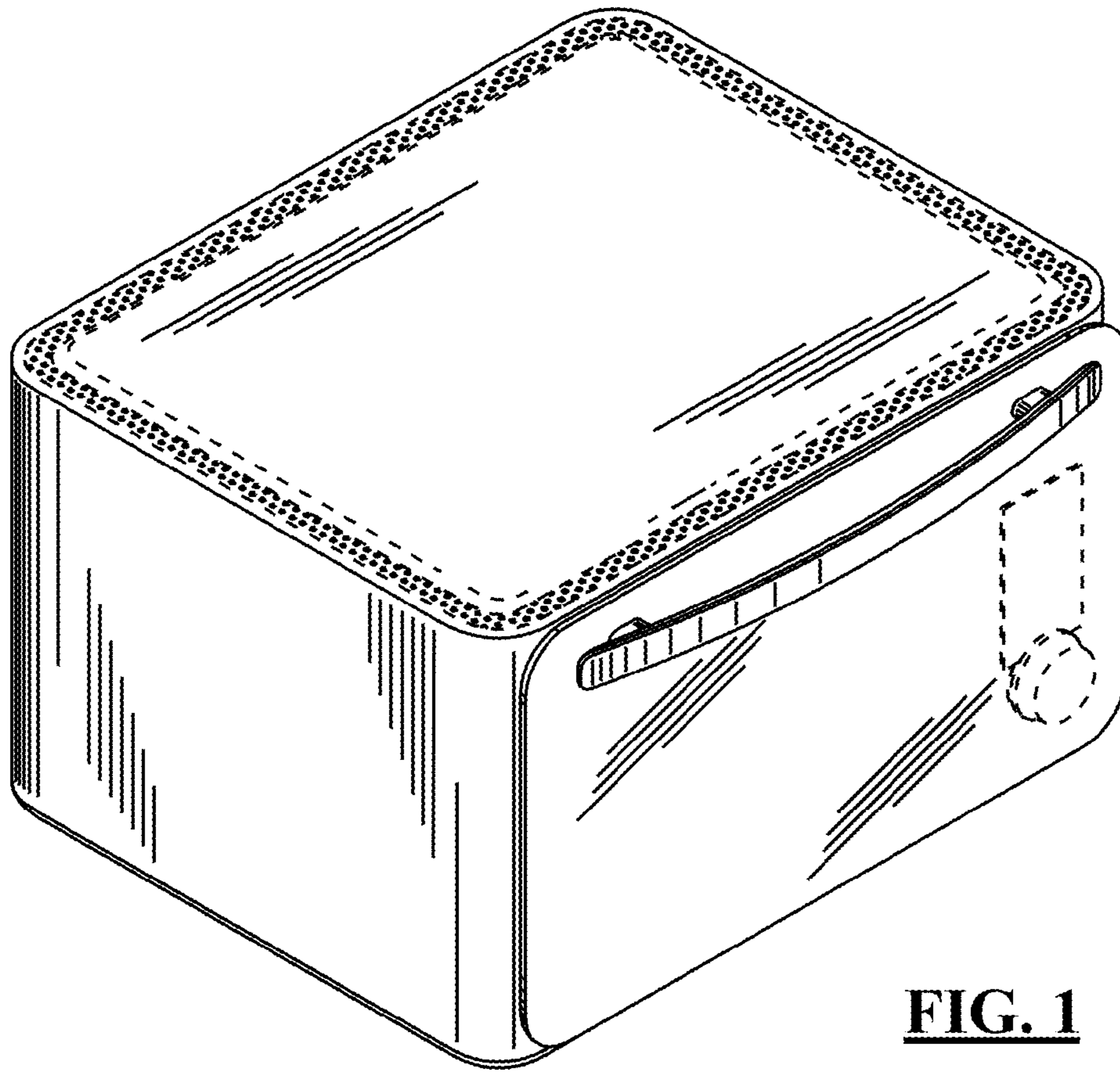
(56)

References Cited

U.S. PATENT DOCUMENTS

D629,639 S * 12/2010 Fernandez D7/350.1
D655,129 S 3/2012 Gresko
D663,156 S 7/2012 Curtis et al.
D670,529 S 11/2012 Hensel
8,656,828 B2 2/2014 De Longhi
D717,579 S 11/2014 Gregory et al.
D771,995 S * 11/2016 Bhogal D7/350.1
D771,996 S * 11/2016 Bhogal D7/350.1
D777,504 S * 1/2017 Bhogal D7/350.1
D782,864 S * 4/2017 Bhogal D7/350.1
D783,336 S * 4/2017 Suh D7/351
D829,485 S * 10/2018 Morenstein D7/350.1
2006/0289506 A1 12/2006 Shon et al.
2009/0107343 A1 * 4/2009 De' Longhi F24C 15/16
99/352

* cited by examiner



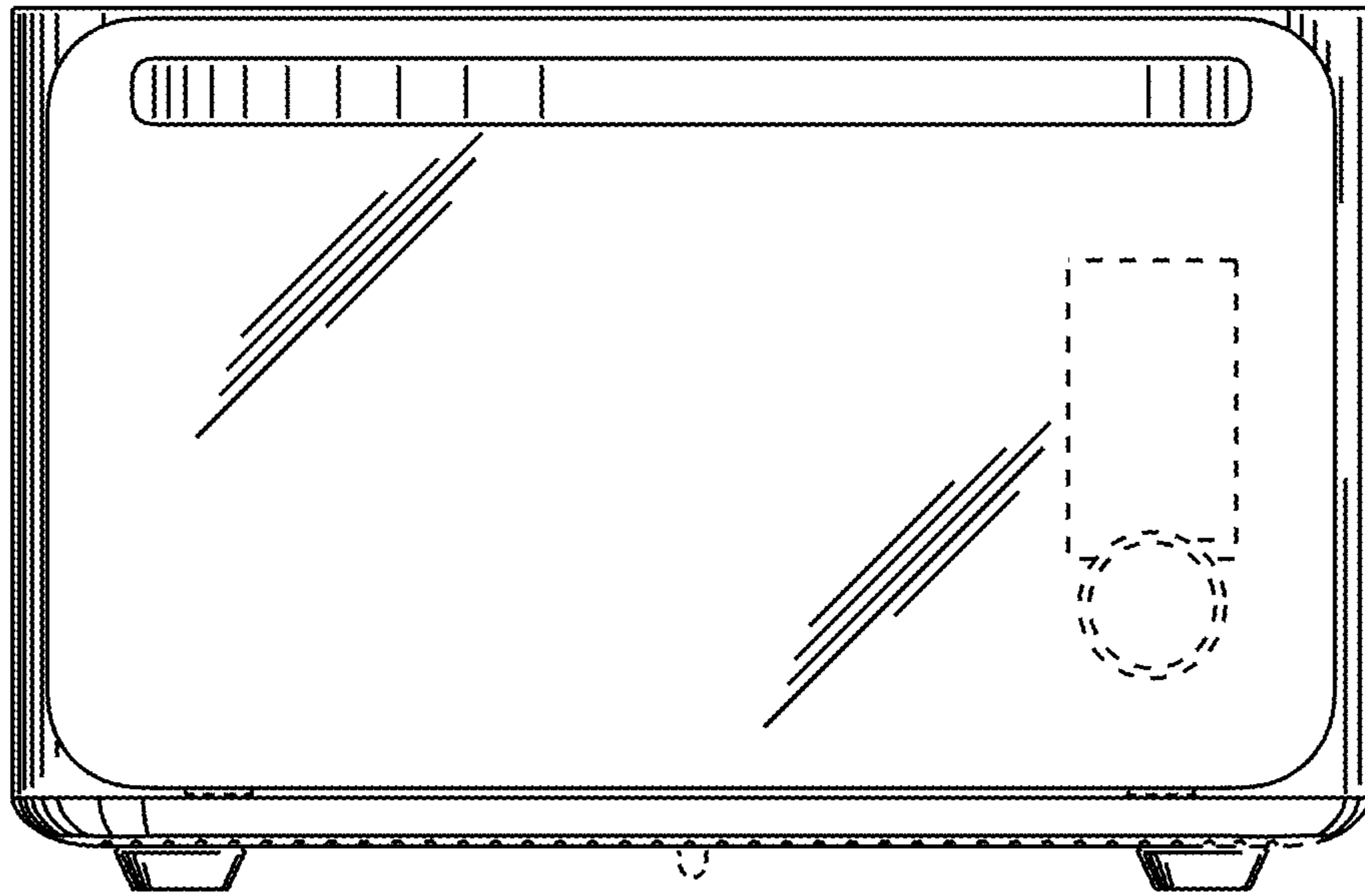


FIG. 3

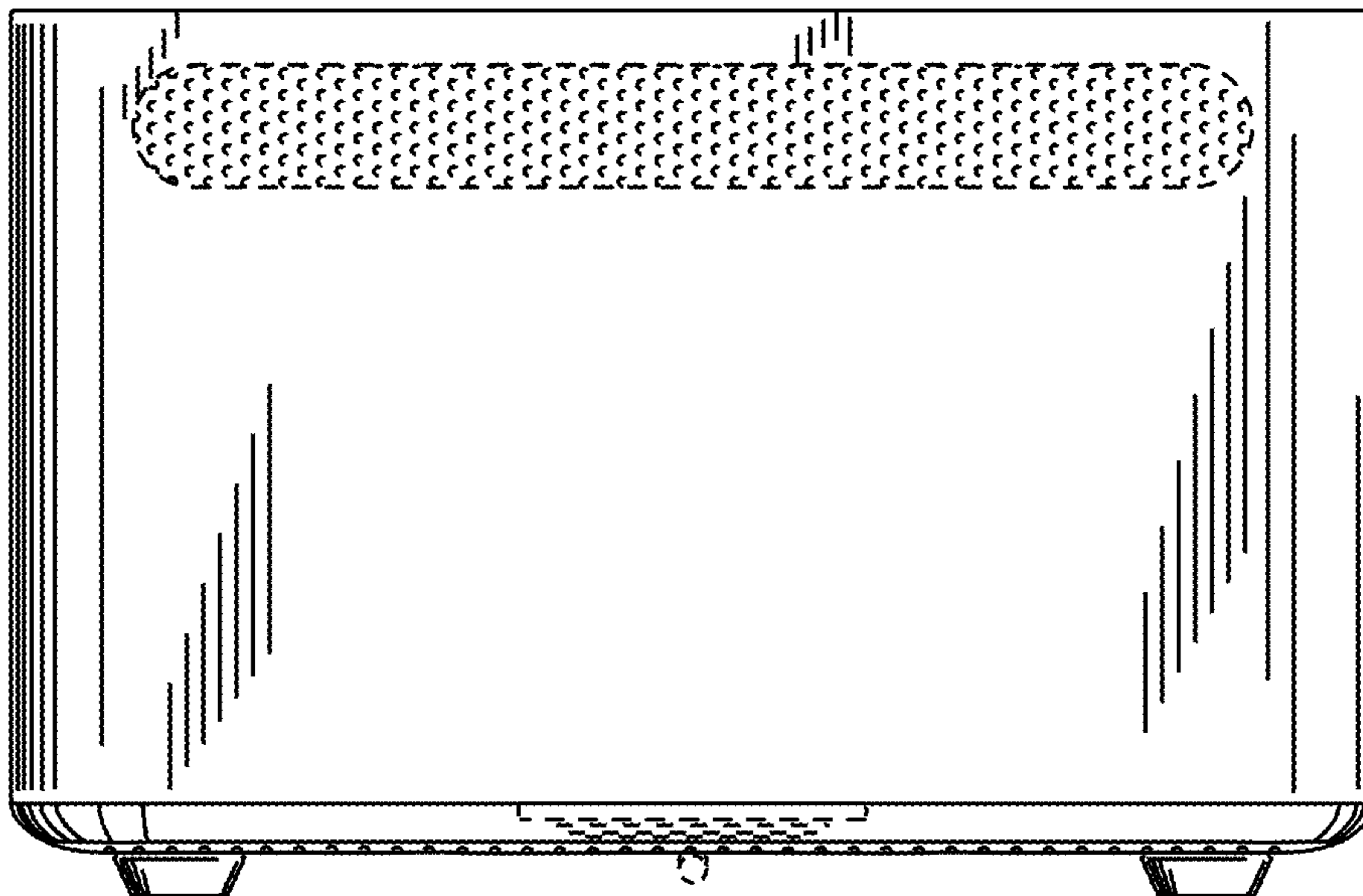


FIG. 4

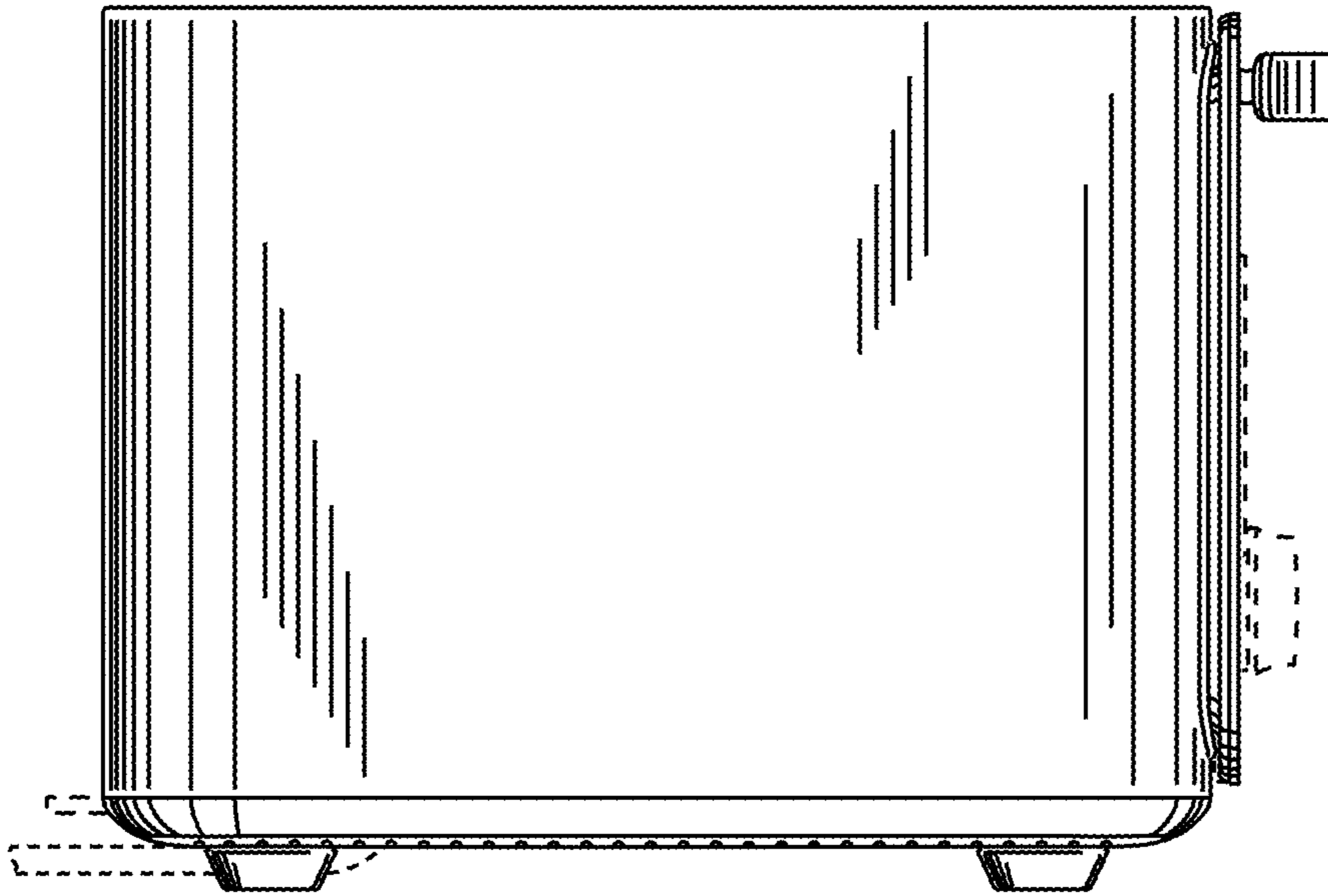


FIG. 5

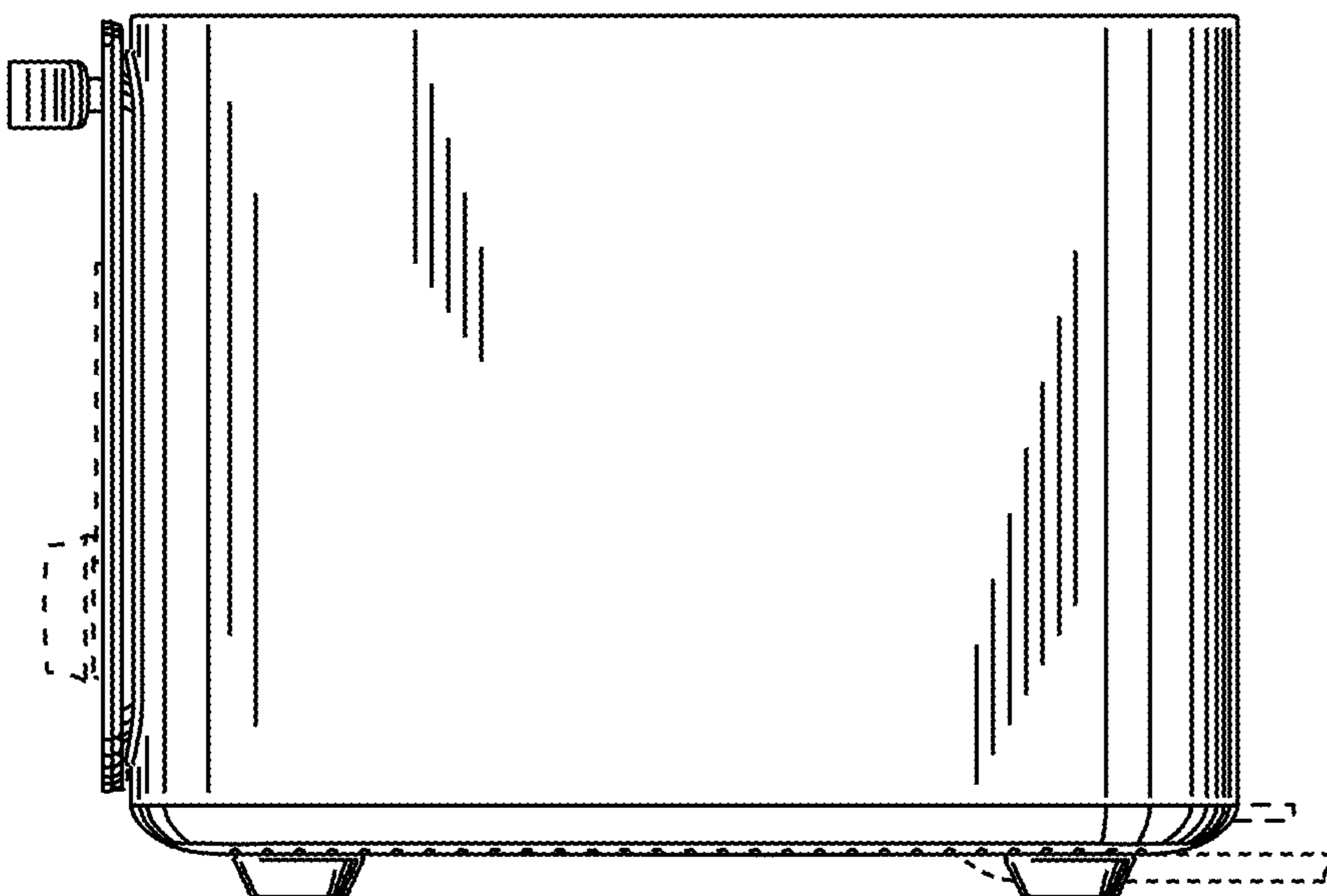


FIG. 6

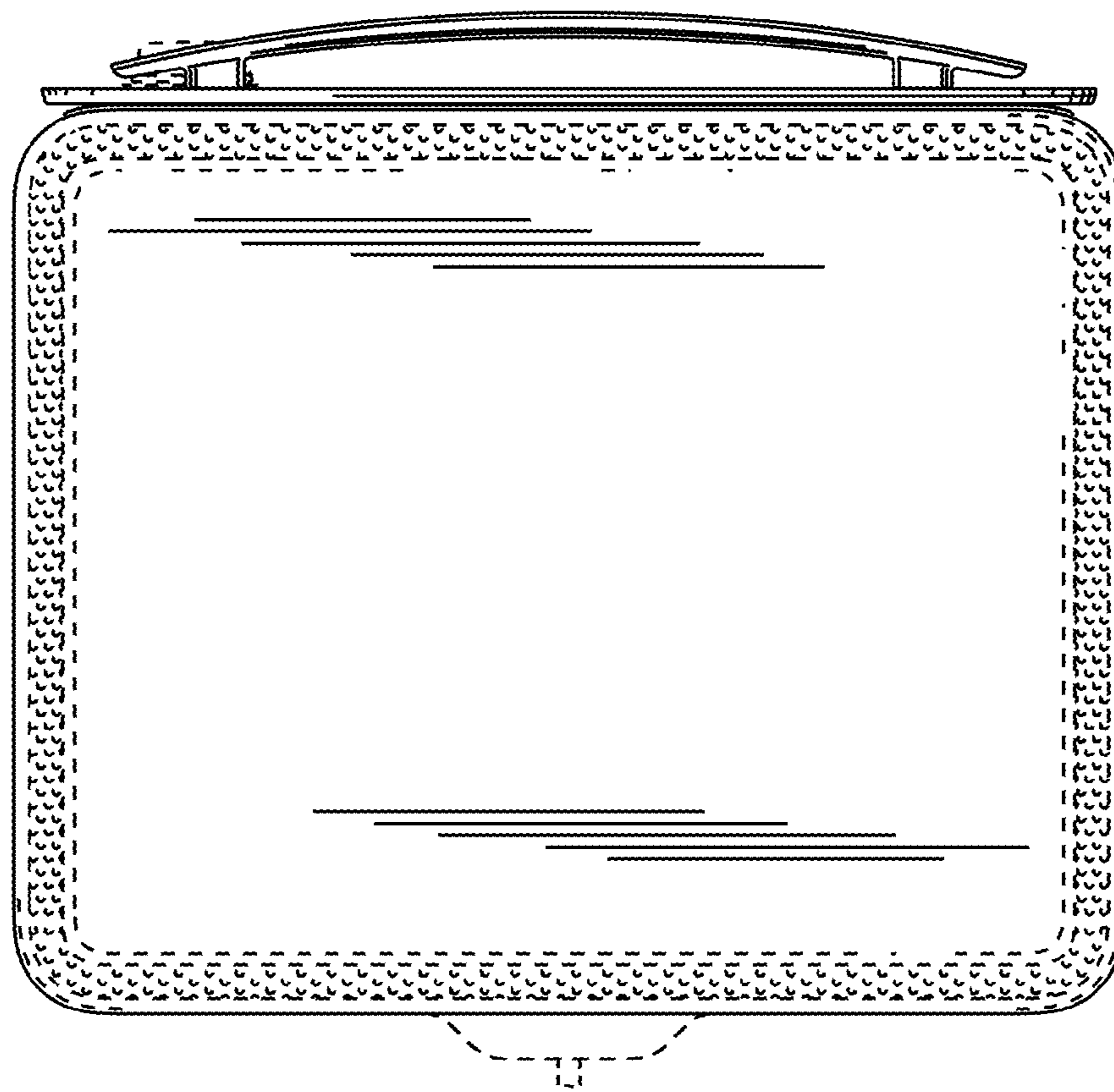


FIG. 7

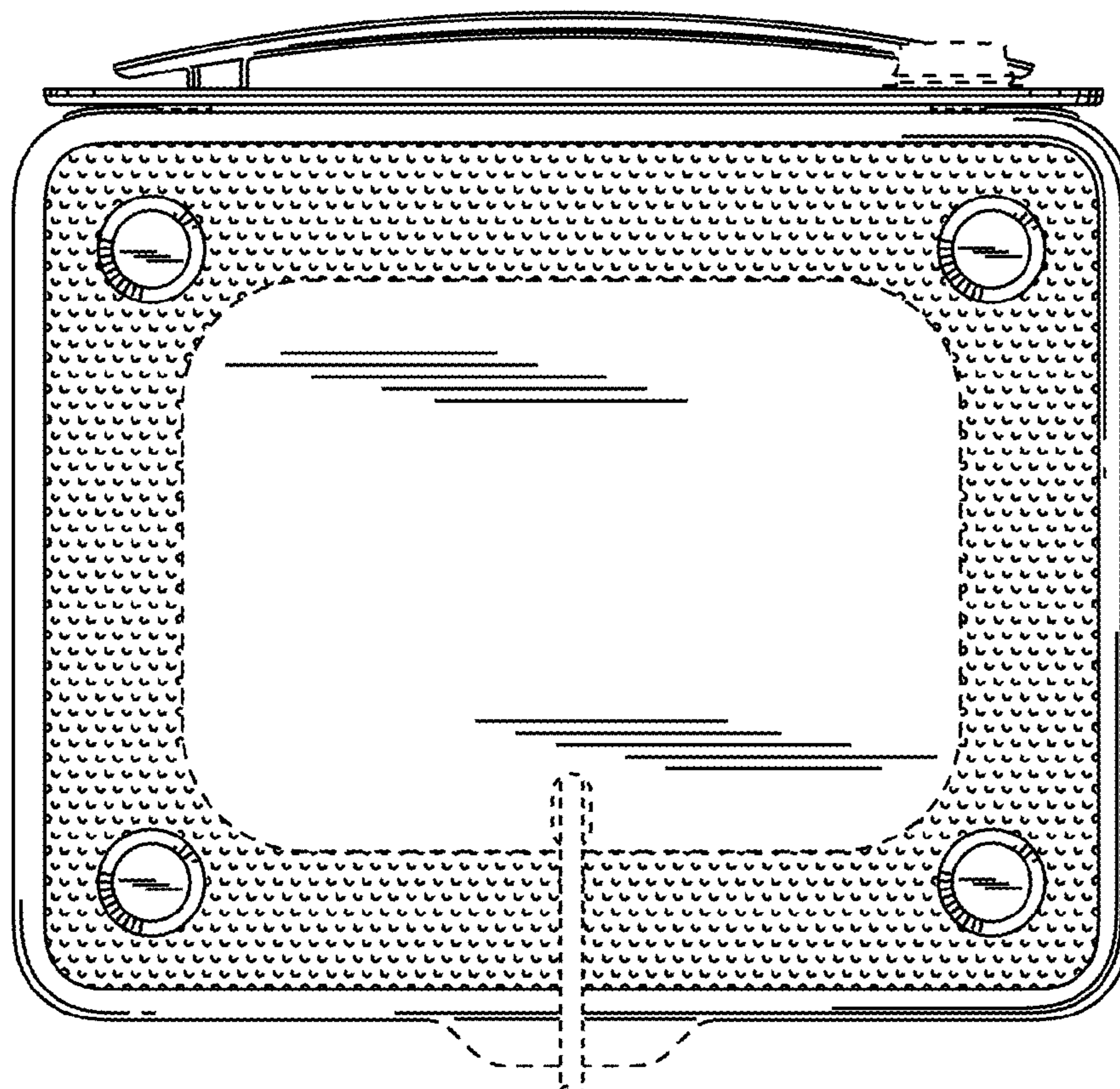


FIG. 8