



US00D903395S

(12) **United States Design Patent**
Segato

(10) **Patent No.:** **US D903,395 S**
(45) **Date of Patent:** **** Dec. 1, 2020**

(54) **COOKING APPLIANCE AND A COOKING APPLIANCE COMPONENT**

(71) Applicant: **ANGELO PO GRANDI CUCINE—SOCIETA' PER AZIONI**, Carpi (IT)

(72) Inventor: **Fabio Segato**, Vignola (IT)

(73) Assignee: **Angelo Po Grandi Cucine—Societa' per Azioni**

(**) Term: **15 Years**

(21) Appl. No.: **29/706,674**

(22) Filed: **Sep. 23, 2019**

(30) **Foreign Application Priority Data**

Apr. 9, 2019 (EM) 006372215

(51) **LOC (12) Cl.** **07-02**

(52) **U.S. Cl.**
USPC **D7/339**

(58) **Field of Classification Search**
USPC D7/305-307, 323, 328-330, 332-349,
D7/350.1, 350.4, 351, 390, 402-406;
D8/300-306

(Continued)

(56) **References Cited**

U.S. PATENT DOCUMENTS

D267,302 S * 12/1982 Suganoya D7/351
4,817,582 A * 4/1989 Oslin A21B 1/24
126/20

(Continued)

FOREIGN PATENT DOCUMENTS

EM 001662966 1/2010
EM 004412062 10/2017
EM 006372215 4/2019

Primary Examiner — Ricky Pham

(74) *Attorney, Agent, or Firm* — Laubscher & Laubscher, P.C.

(57) **CLAIM**

The ornamental design for a cooking appliance and a cooking appliance component, as shown and described.

DESCRIPTION

FIG. 1 is a front perspective view of the invention illustrating a first embodiment of my design;
FIG. 2 is a front elevation view of the embodiment of FIG. 1;
FIG. 3 is a rear elevation view of the embodiment of FIG. 1;
FIG. 4 is a right side elevation view of the embodiment of FIG. 1;
FIG. 5 is a left side elevation view of the embodiment of FIG. 1;
FIG. 6 is a top plan view of the embodiment of FIG. 1;
FIG. 7 is a bottom plan view of the embodiment of FIG. 1;
FIG. 8 is a front perspective view of the invention illustrating a second embodiment of my design;
FIG. 9 is a front elevation view of the embodiment of FIG. 8;
FIG. 10 is a rear elevation view of the embodiment of FIG. 8;
FIG. 11 is a right side elevation view of the embodiment of FIG. 8;
FIG. 12 is a left side elevation view of the embodiment of FIG. 8;
FIG. 13 is a top elevation plan of the embodiment of FIG. 8;
FIG. 14 is a bottom elevation plan of the embodiment of FIG. 8;
FIG. 15 is a front perspective view of the invention illustrating a third embodiment of my design;
FIG. 16 is a front elevation view of the embodiment of FIG. 15;
FIG. 17 is a rear elevation view of the embodiment of FIG. 15;
FIG. 18 is a right side elevation view of the embodiment of FIG. 15;
FIG. 19 is a left side elevation view of the embodiment of FIG. 15;

(Continued)

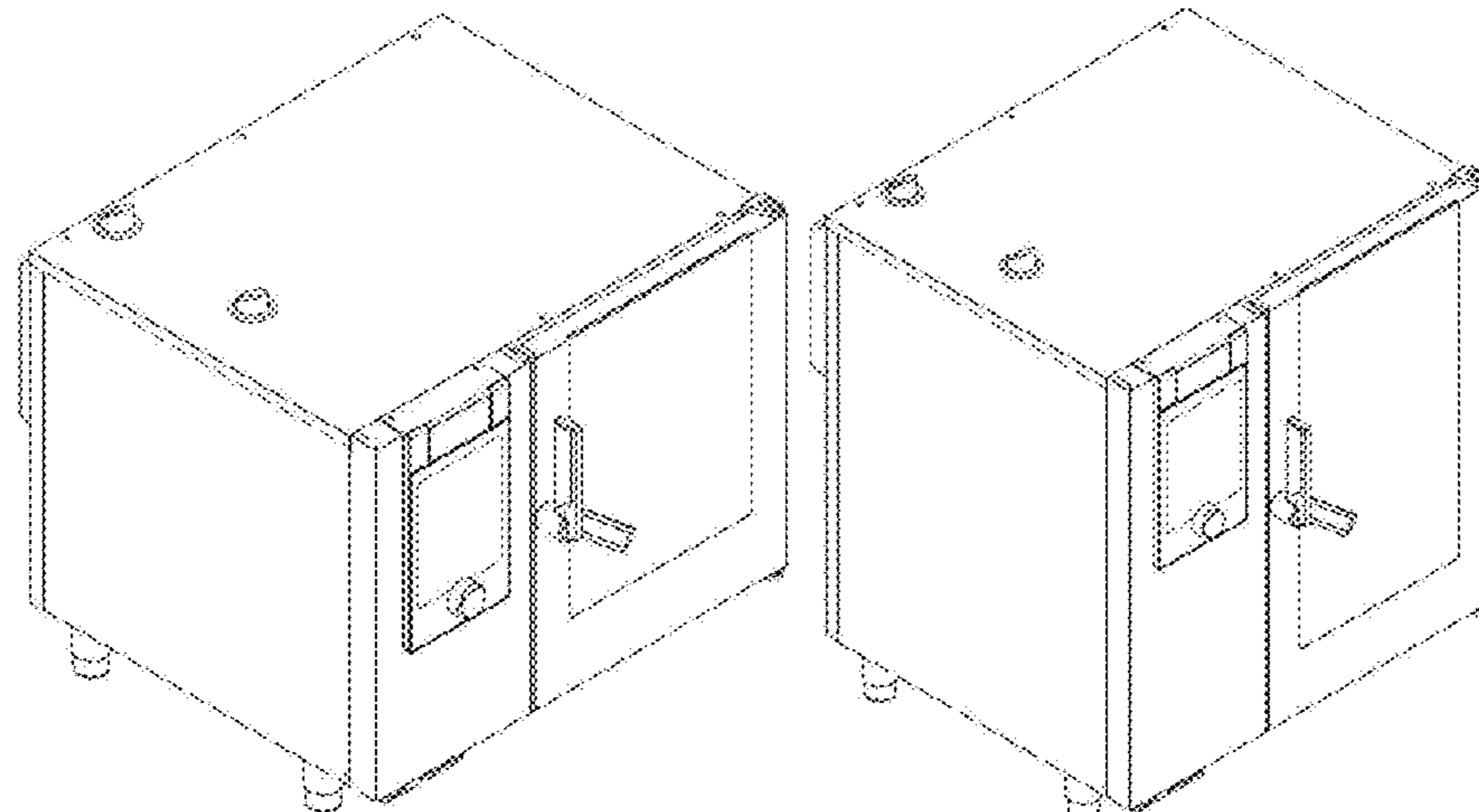


FIG. 20 is a top plan view of the embodiment of FIG. 15; and, FIG. 21 is a bottom plan view of the embodiment of FIG. 15.

1 Claim, 21 Drawing Sheets

(58) Field of Classification Search

CPC A21B 1/24; A21B 1/26; A21B 2/00; A47J 27/04; A47J 37/00; A47J 37/041; A47J 37/06; A47J 37/0611; A47J 37/08; A47J 37/0807; A47J 37/0814; A47J 37/0835; A47J 37/0842; A47J 37/085; A47J 37/0864; A47J 37/0878; A47J 37/0885; A47J 37/0892; F24C 7/00; F24C 7/002; F24C 7/046; F24C 7/067; F24C 15/02; F24C 15/04; F24C 15/10; F24C 15/14; F24C 15/102

See application file for complete search history.

(56) References Cited

U.S. PATENT DOCUMENTS

4,924,072 A * 5/1990 Oslin A47J 27/04 219/400

D339,952 S * 10/1993 Rosen D7/305
 D340,832 S * 11/1993 Macchi D7/300
 D343,090 S * 1/1994 Connell D7/339
 5,339,726 A * 8/1994 Poulson A47J 37/041 99/327
 D384,544 S * 10/1997 Lieblein D7/350.4
 5,732,614 A * 3/1998 Oslin A21B 1/26 126/20
 D567,571 S * 4/2008 Hillmann D7/347
 D568,089 S * 5/2008 Hillmann D7/347
 D601,847 S * 10/2009 Gammack D7/306
 D611,753 S * 3/2010 Gammack D7/306
 D615,798 S * 5/2010 McLemore D7/332
 D657,184 S * 4/2012 Segato D7/348
 D657,185 S * 4/2012 Segato D7/348
 D657,989 S * 4/2012 Segato D7/348
 D669,727 S * 10/2012 Pagano D7/307
 D702,482 S * 4/2014 Davis D7/350.1
 D722,468 S * 2/2015 Yamamoto D7/351
 D757,482 S * 5/2016 Schwamkrug D7/339
 D773,231 S * 12/2016 Franzolin D7/339
 D783,335 S * 4/2017 Franzolin D7/339
 D812,411 S * 3/2018 Schwamkrug D7/350.1
 10,677,473 B2 * 6/2020 Stephens F24C 15/14
 2003/0178411 A1 * 9/2003 Manganiello A47J 27/04 219/496

* cited by examiner

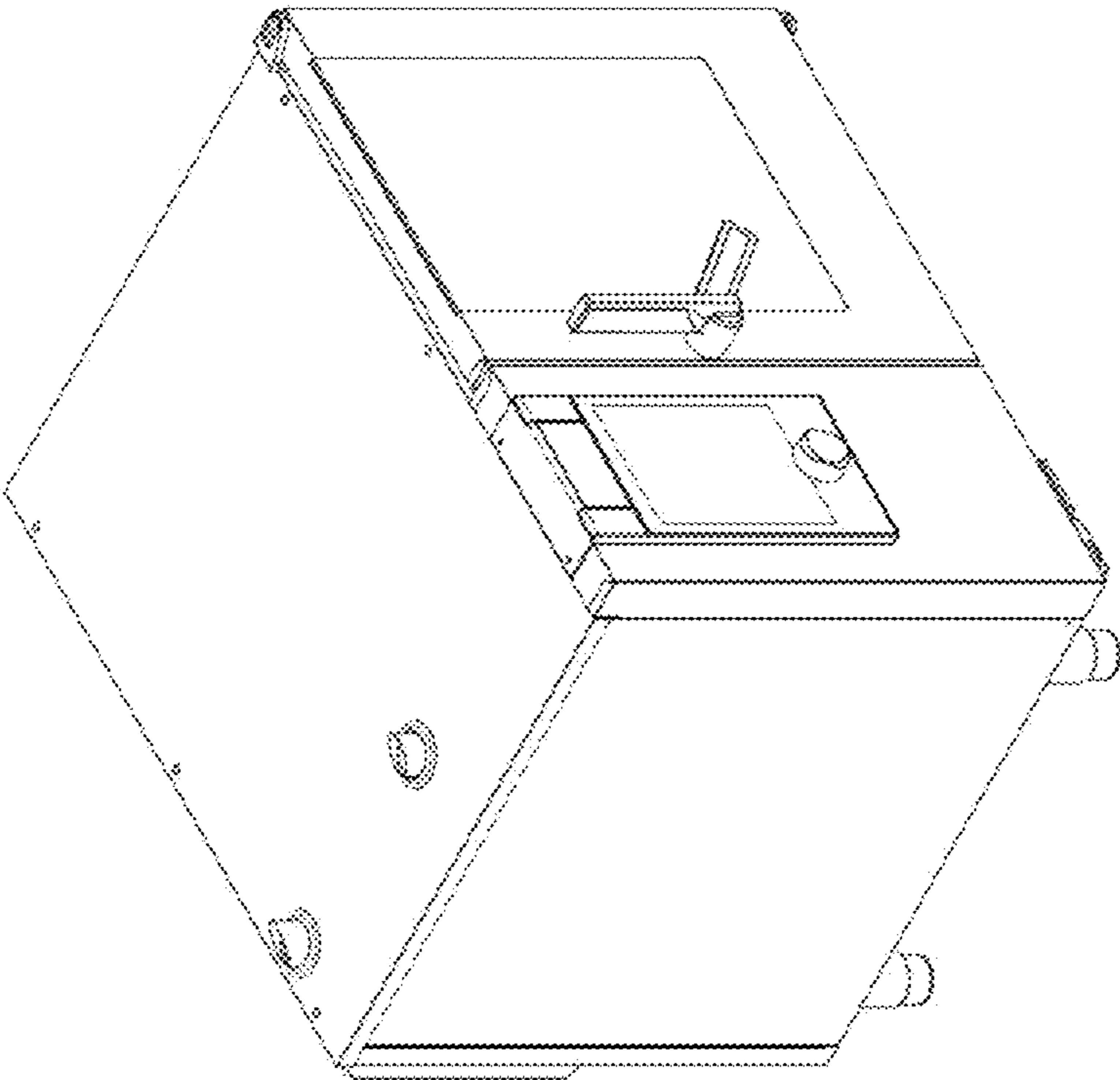


FIG. 1

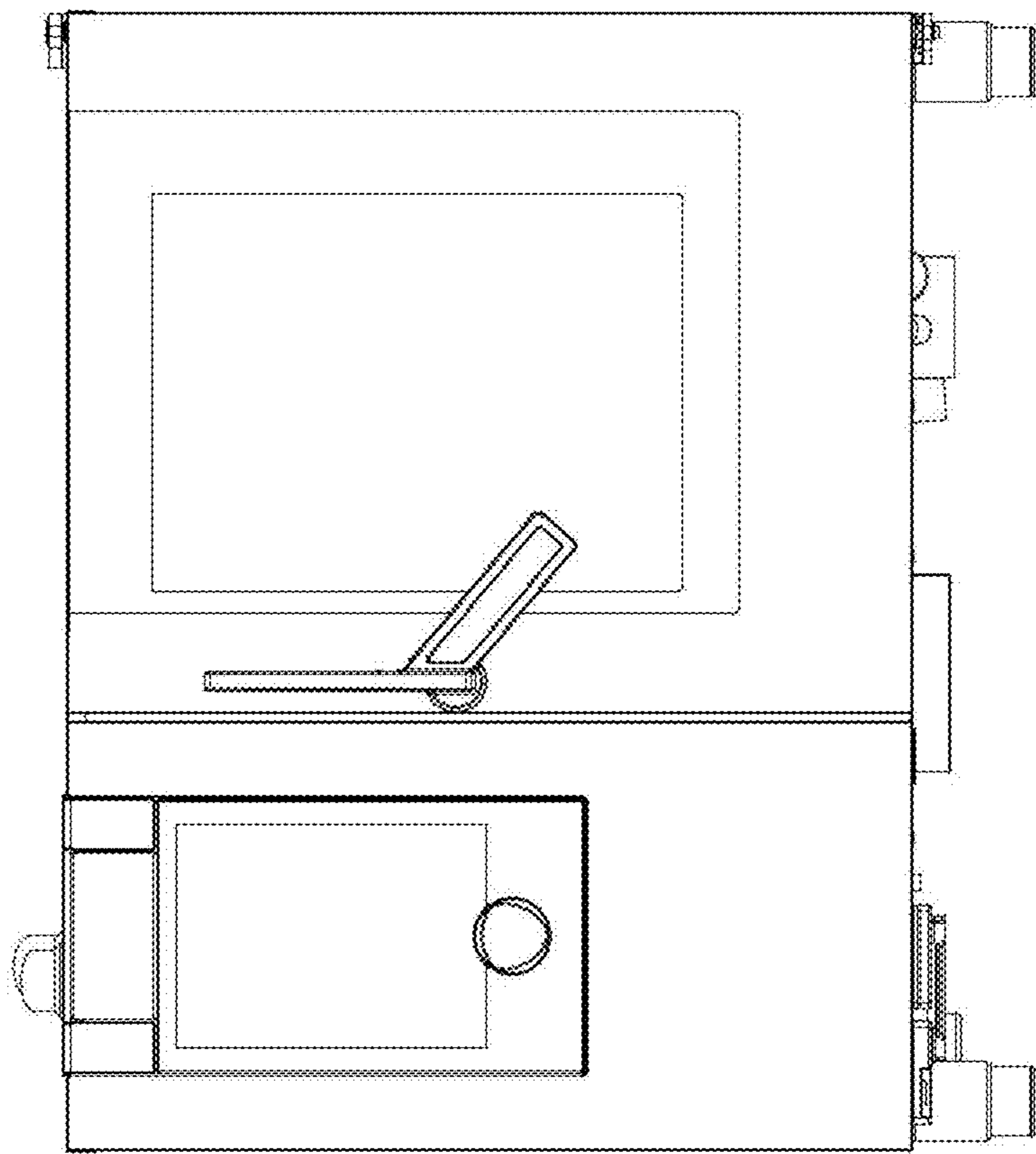


FIG. 2

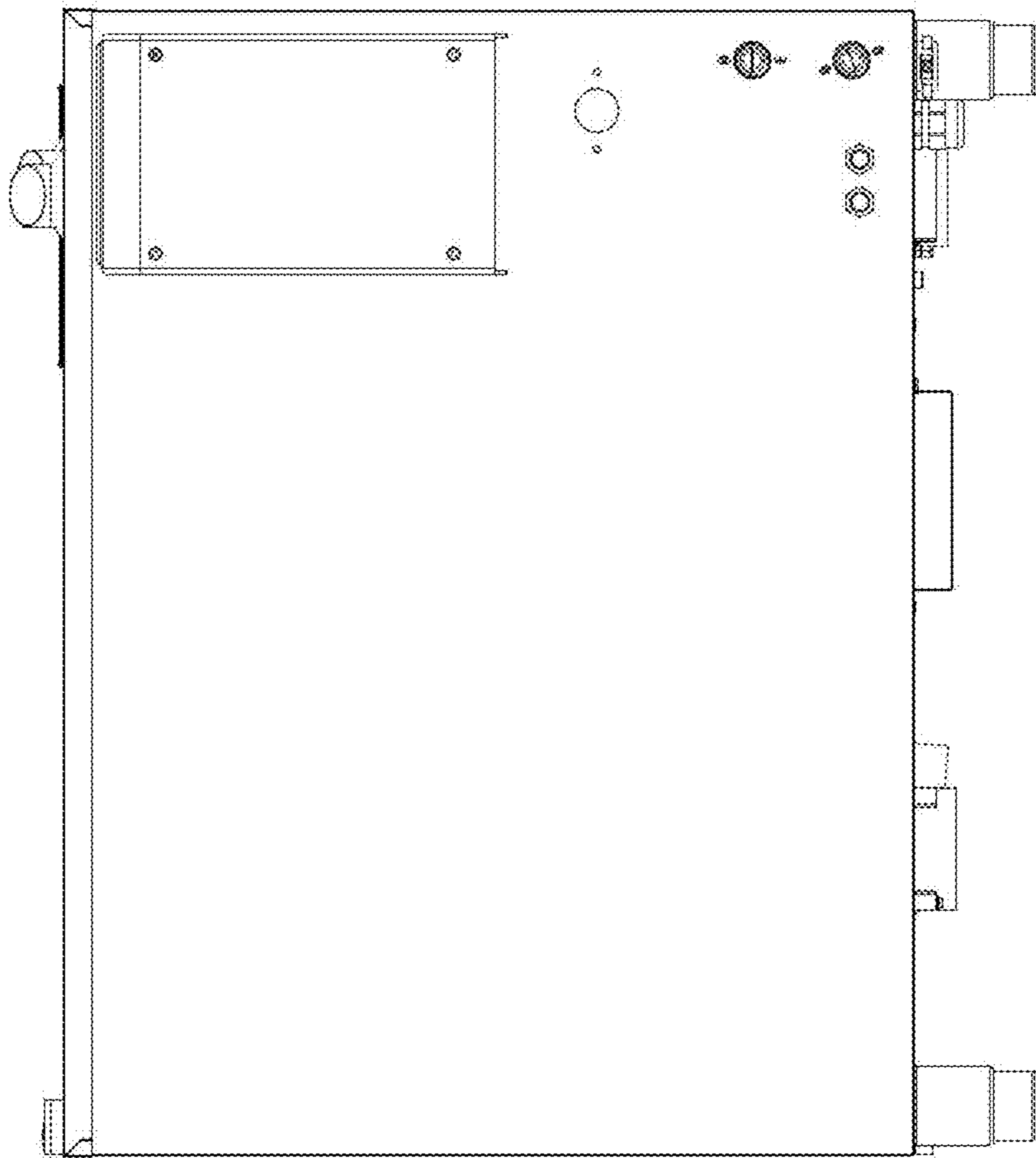


FIG. 3

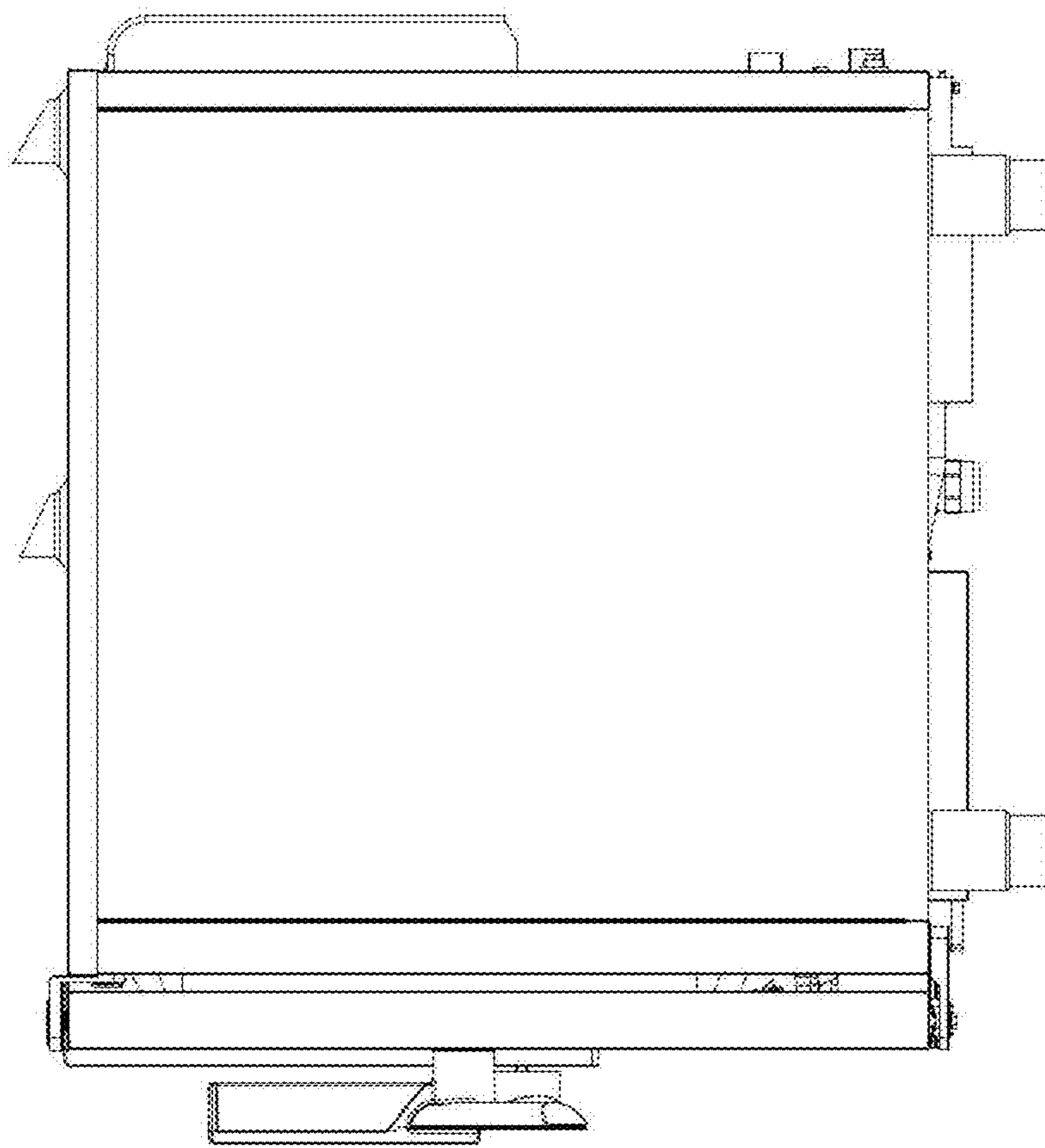


FIG. 4

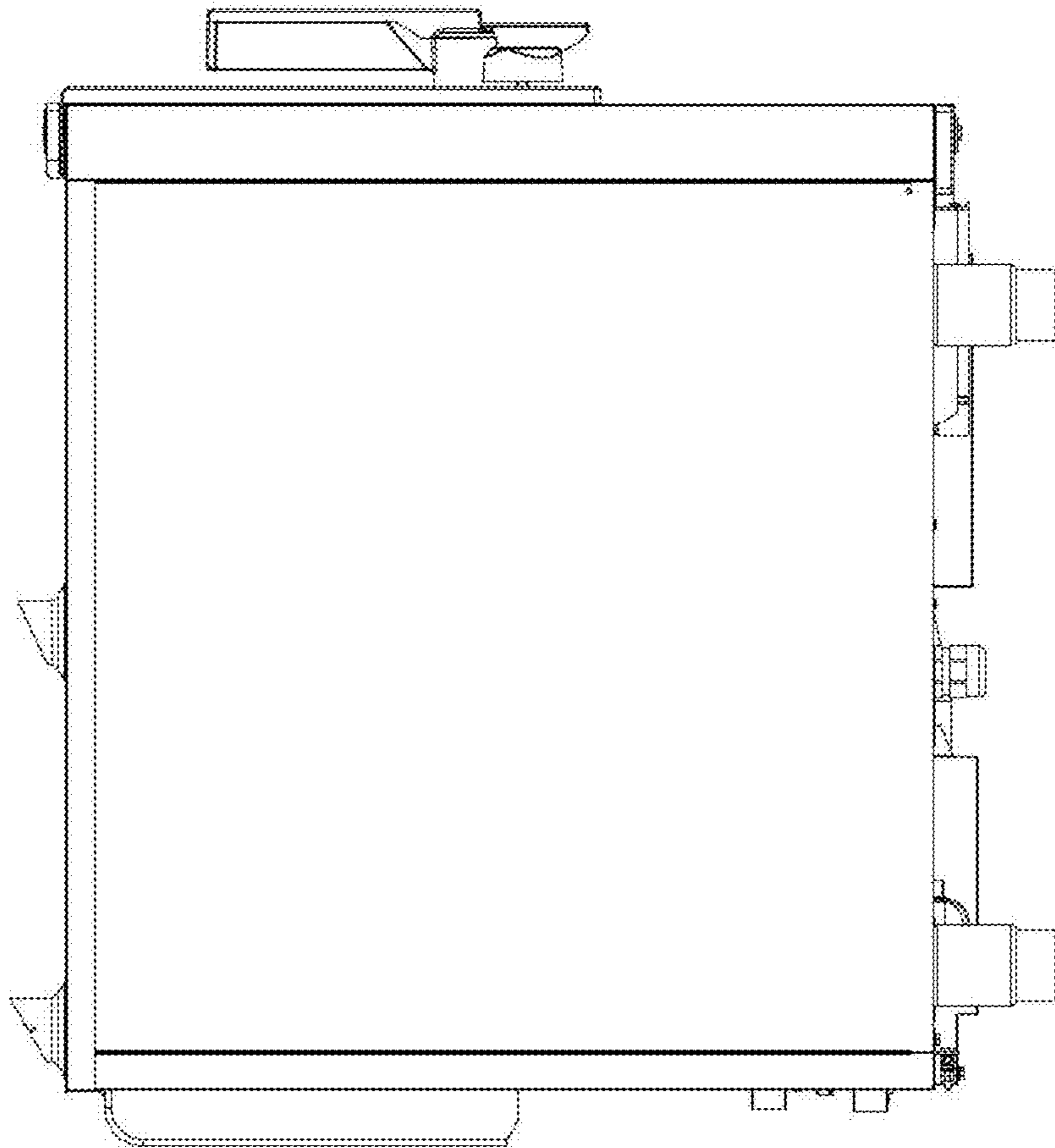


FIG. 5

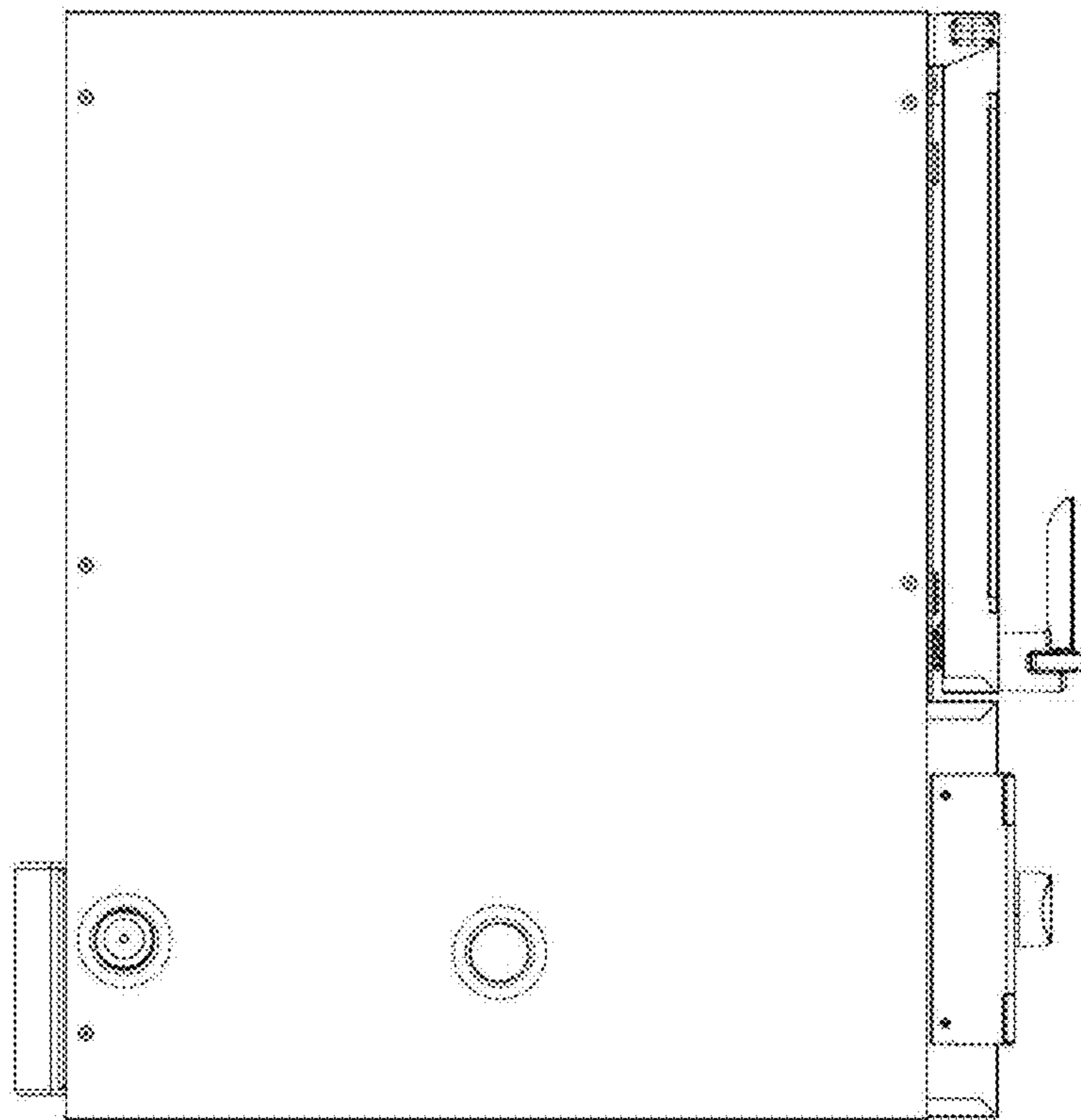


FIG. 6

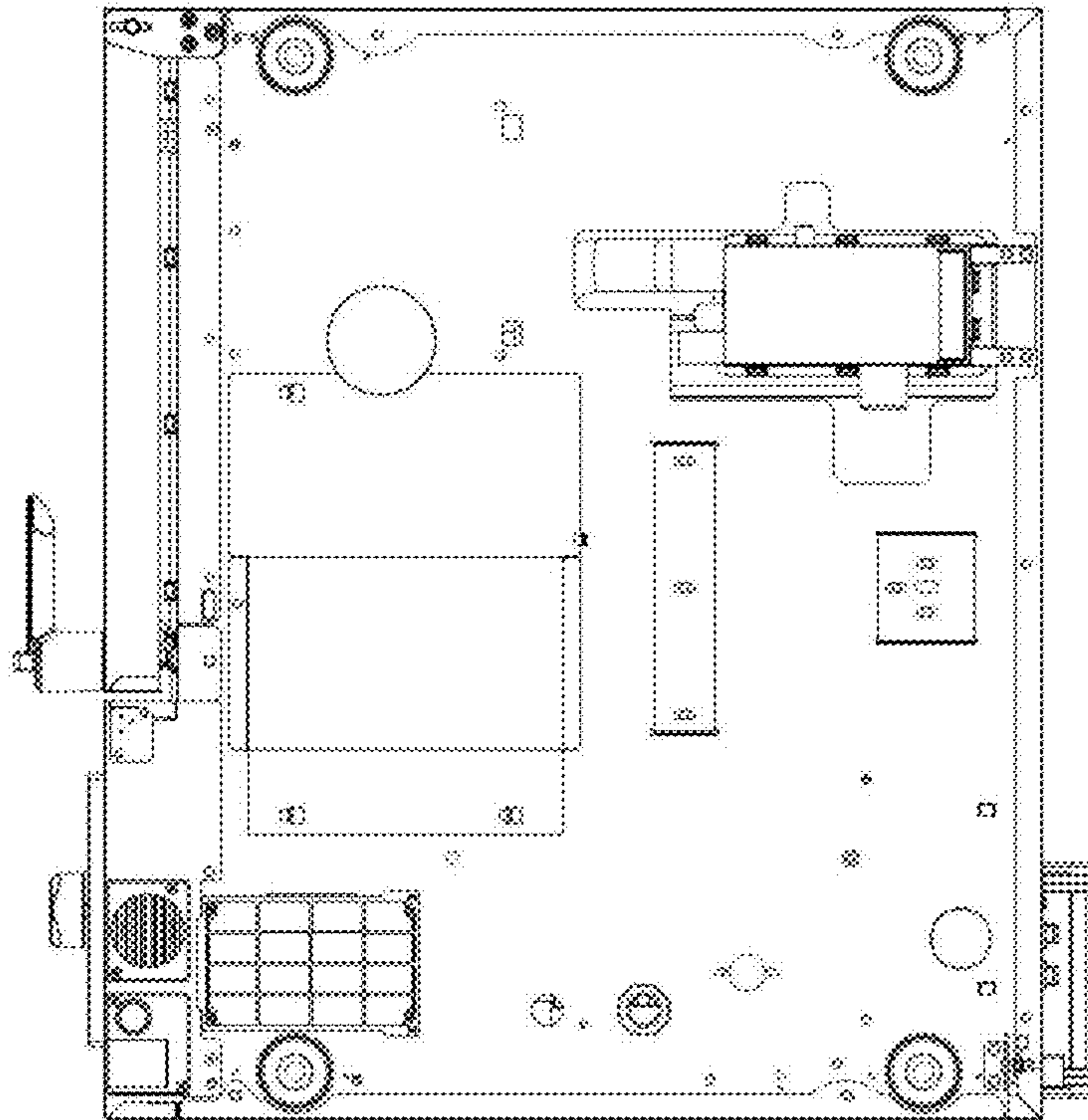


FIG. 7

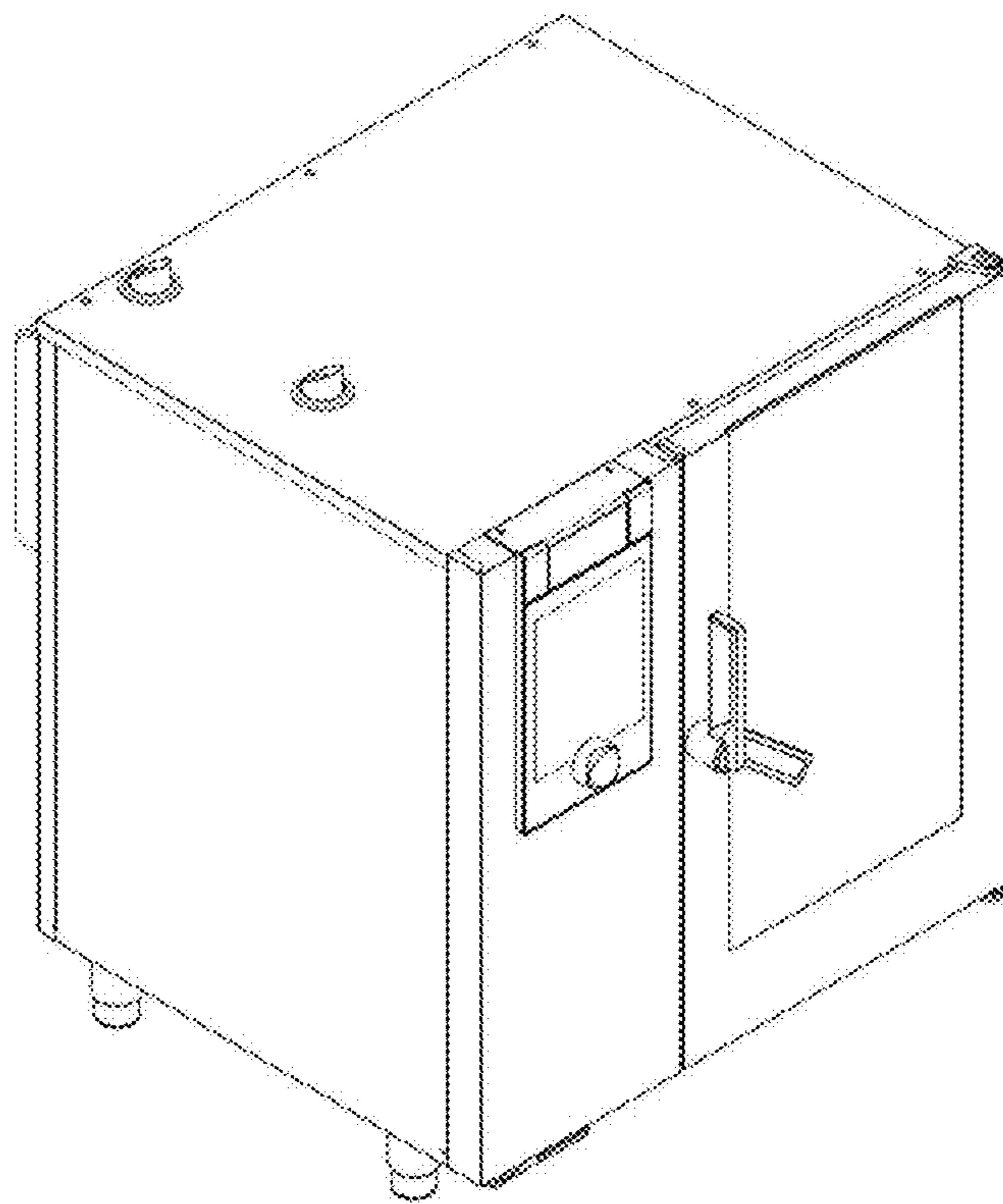


FIG. 8

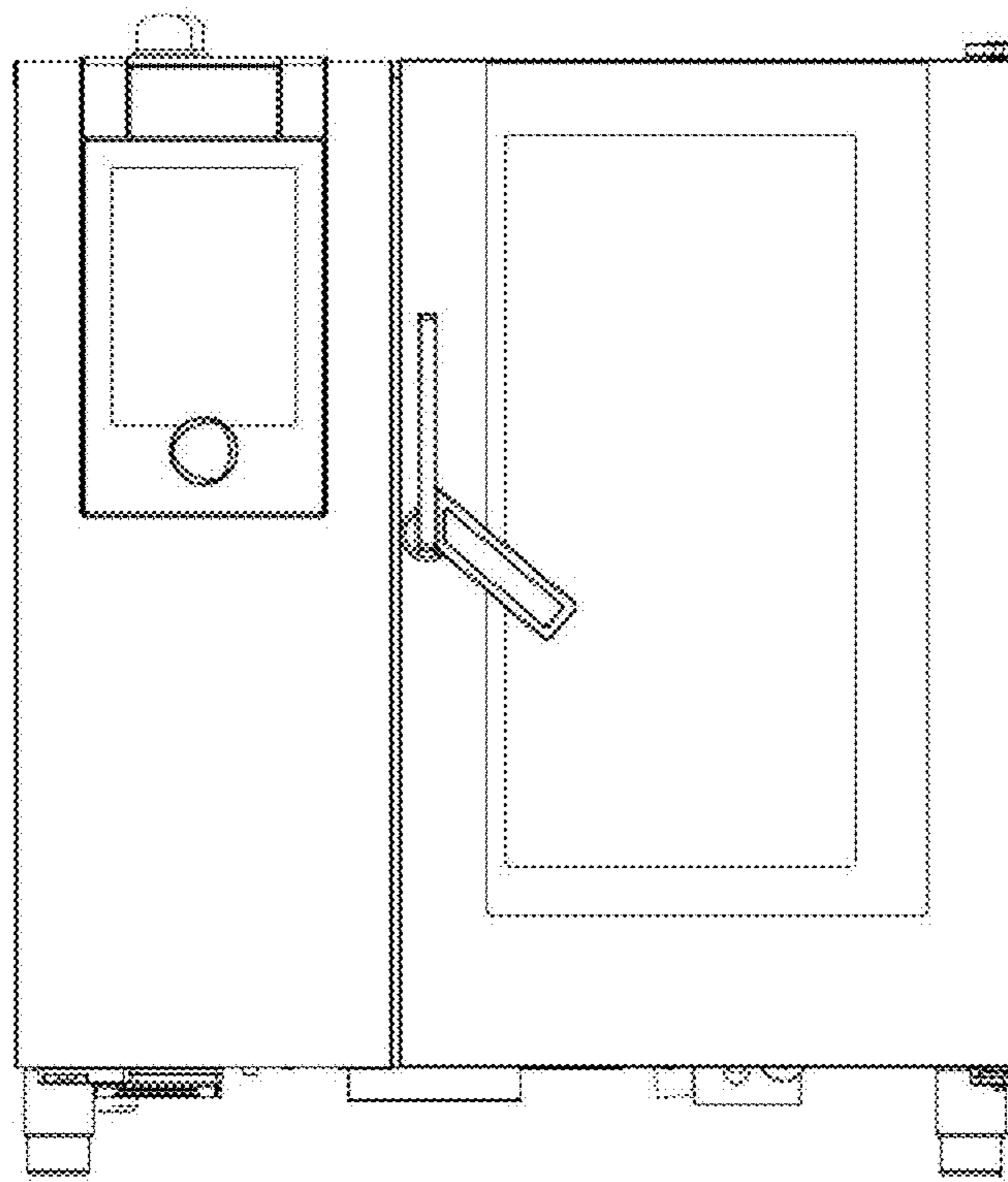


FIG. 9

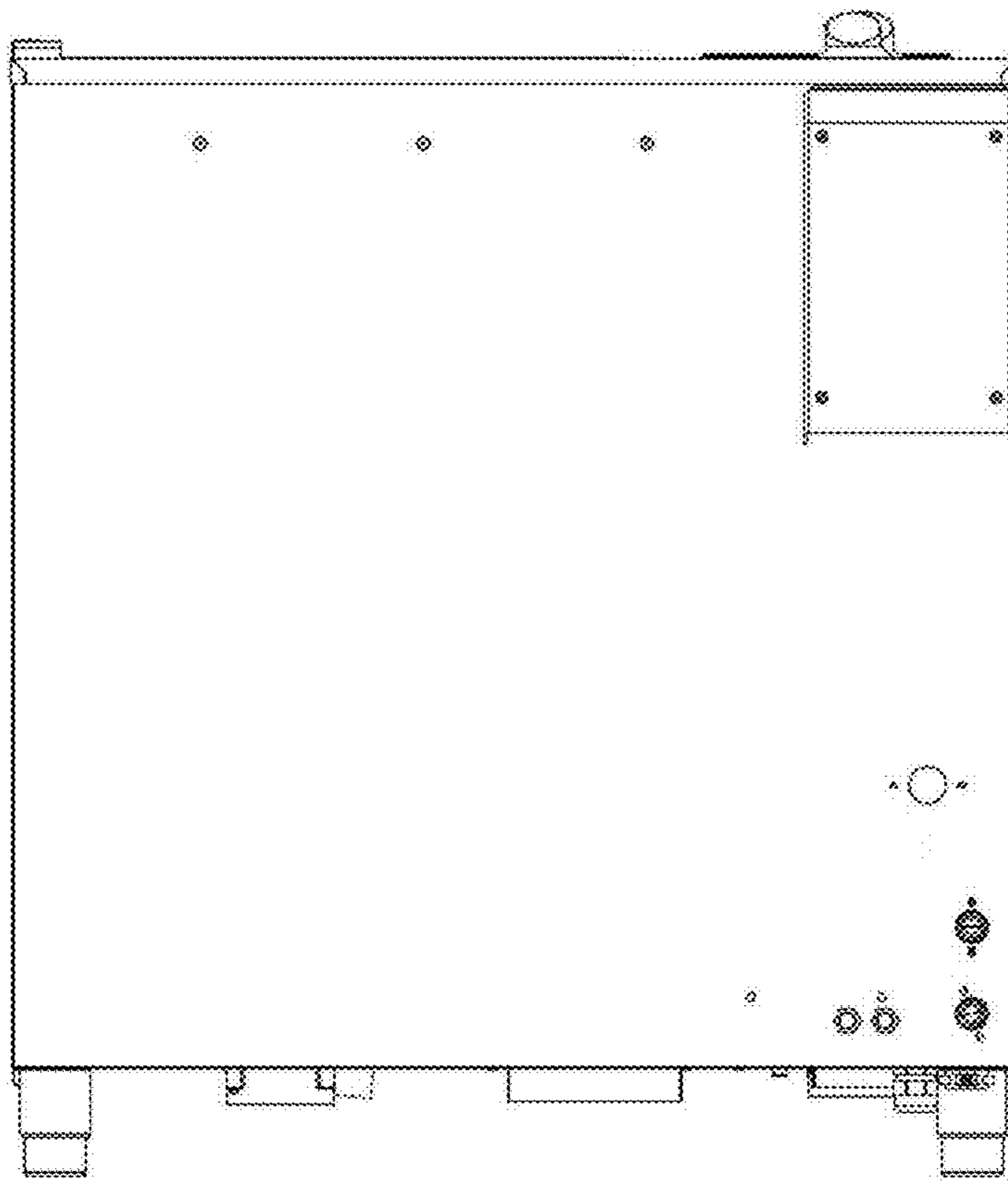


FIG. 10

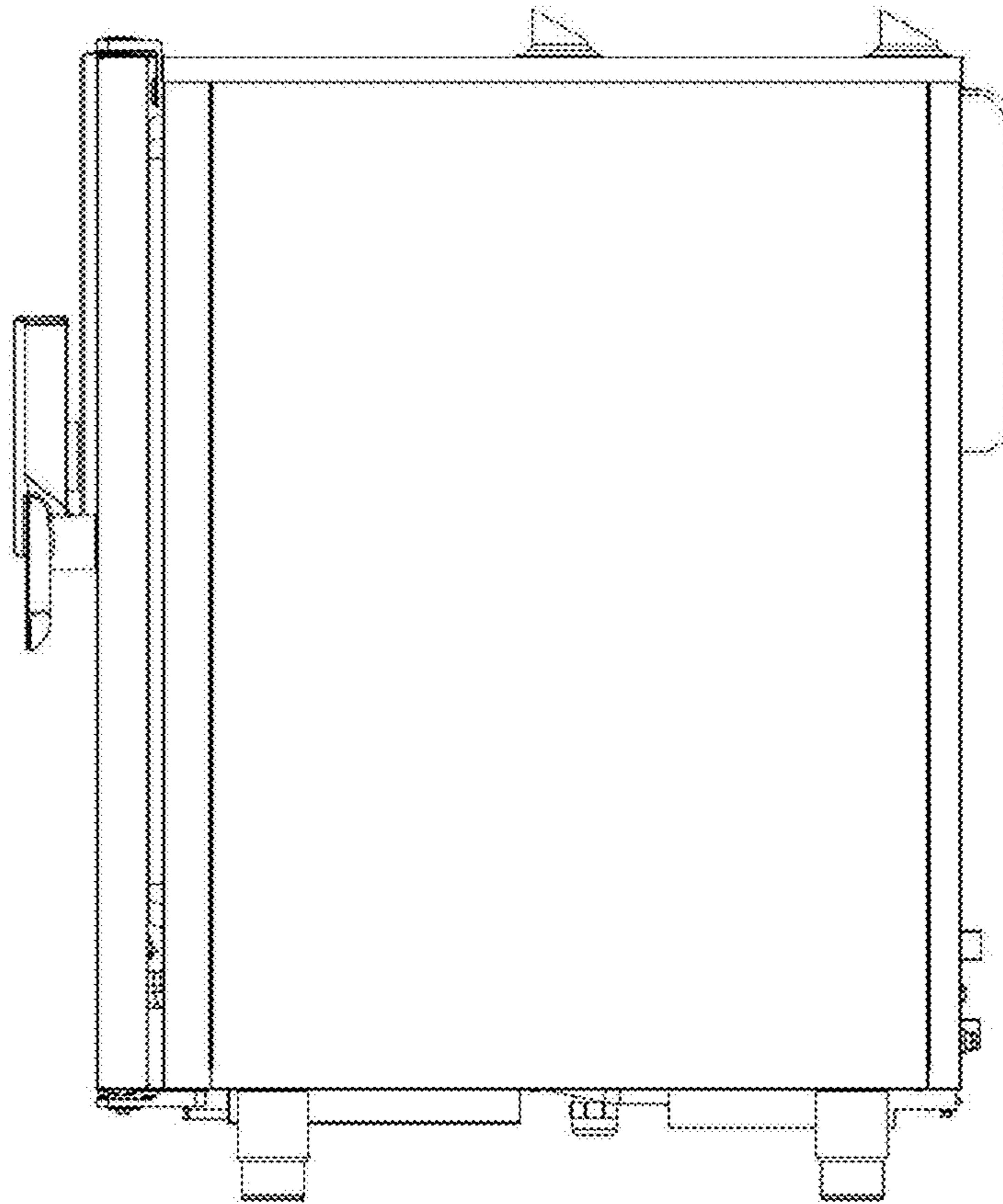


FIG. 11

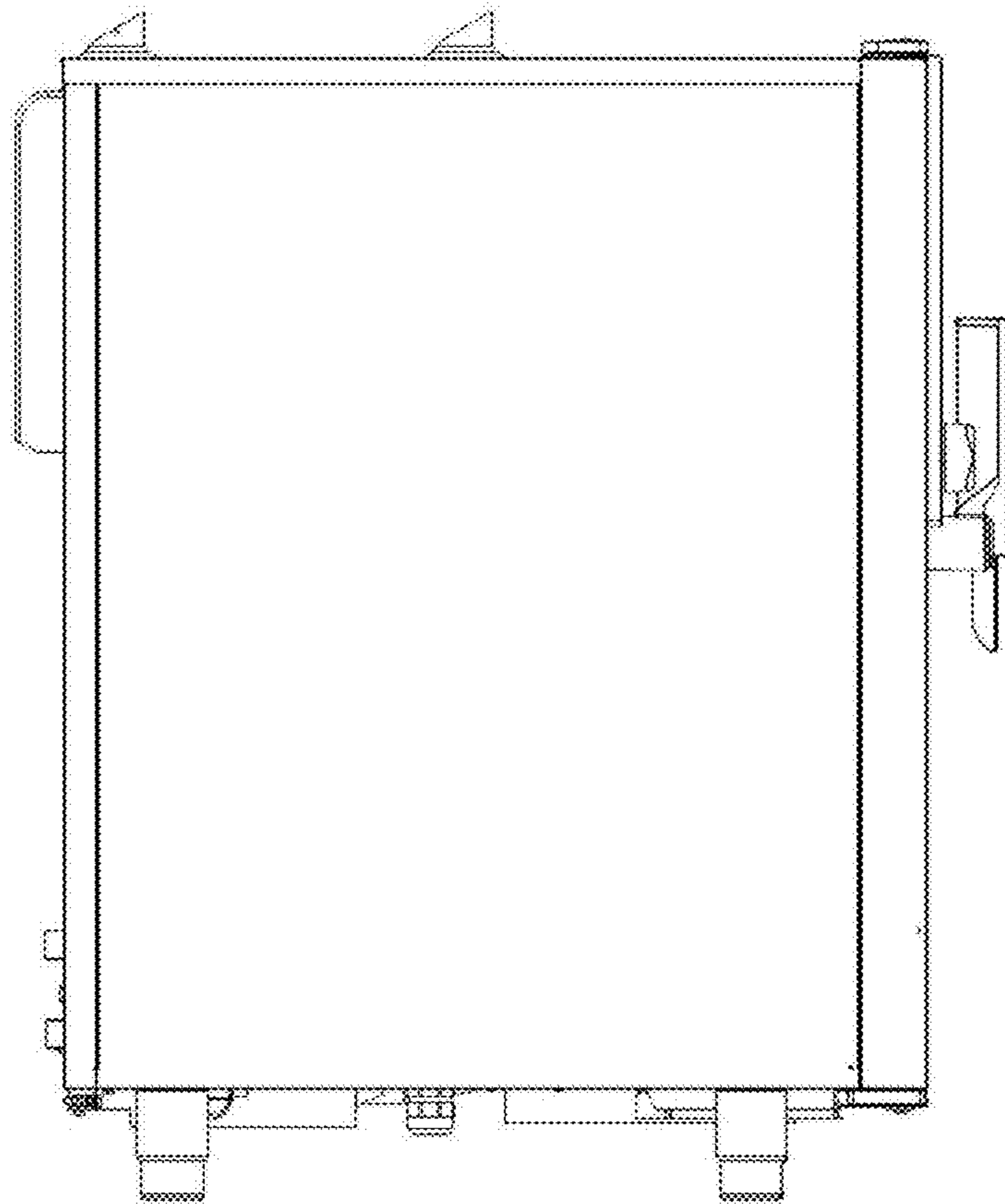


FIG. 12

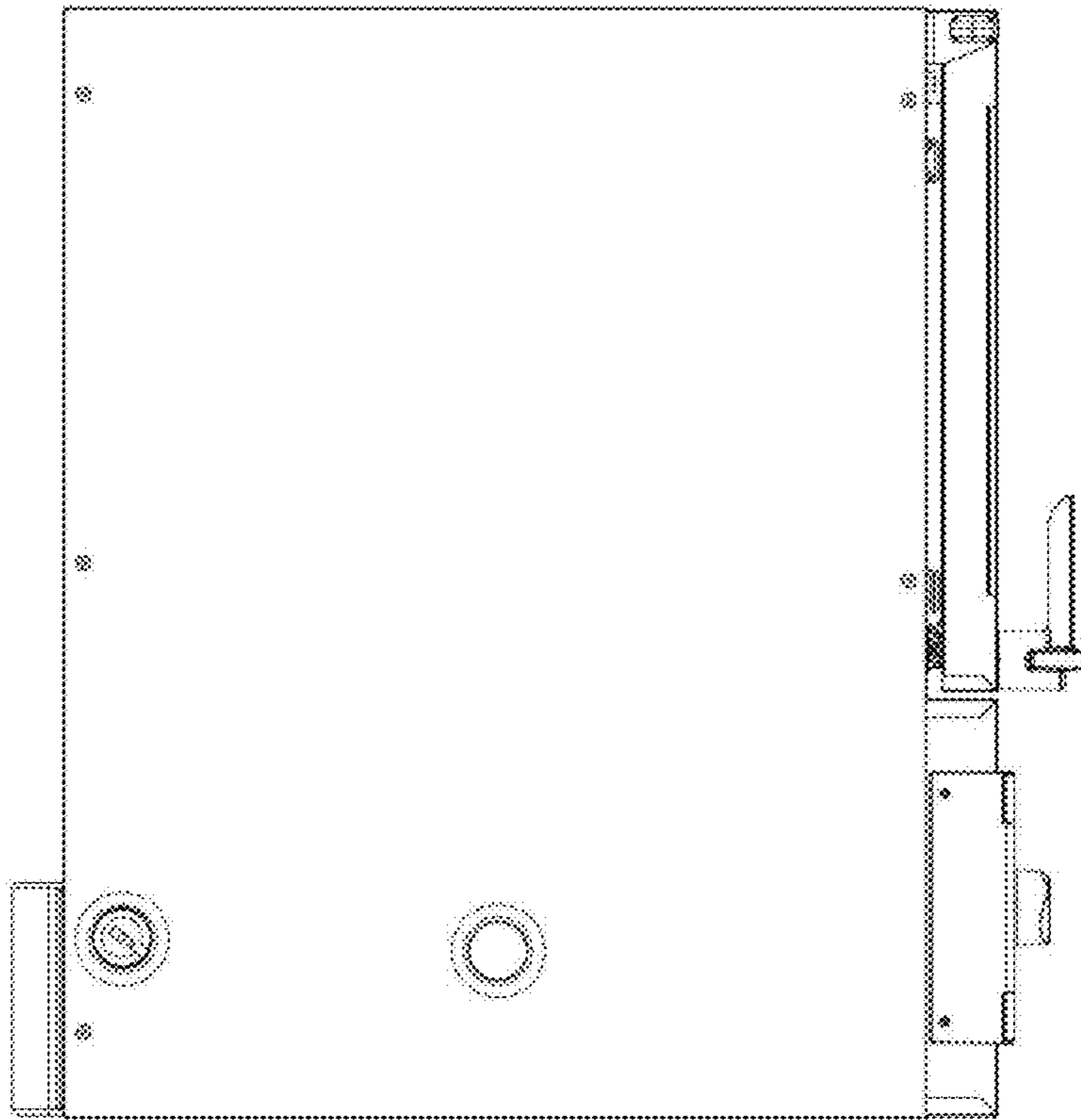


FIG. 13

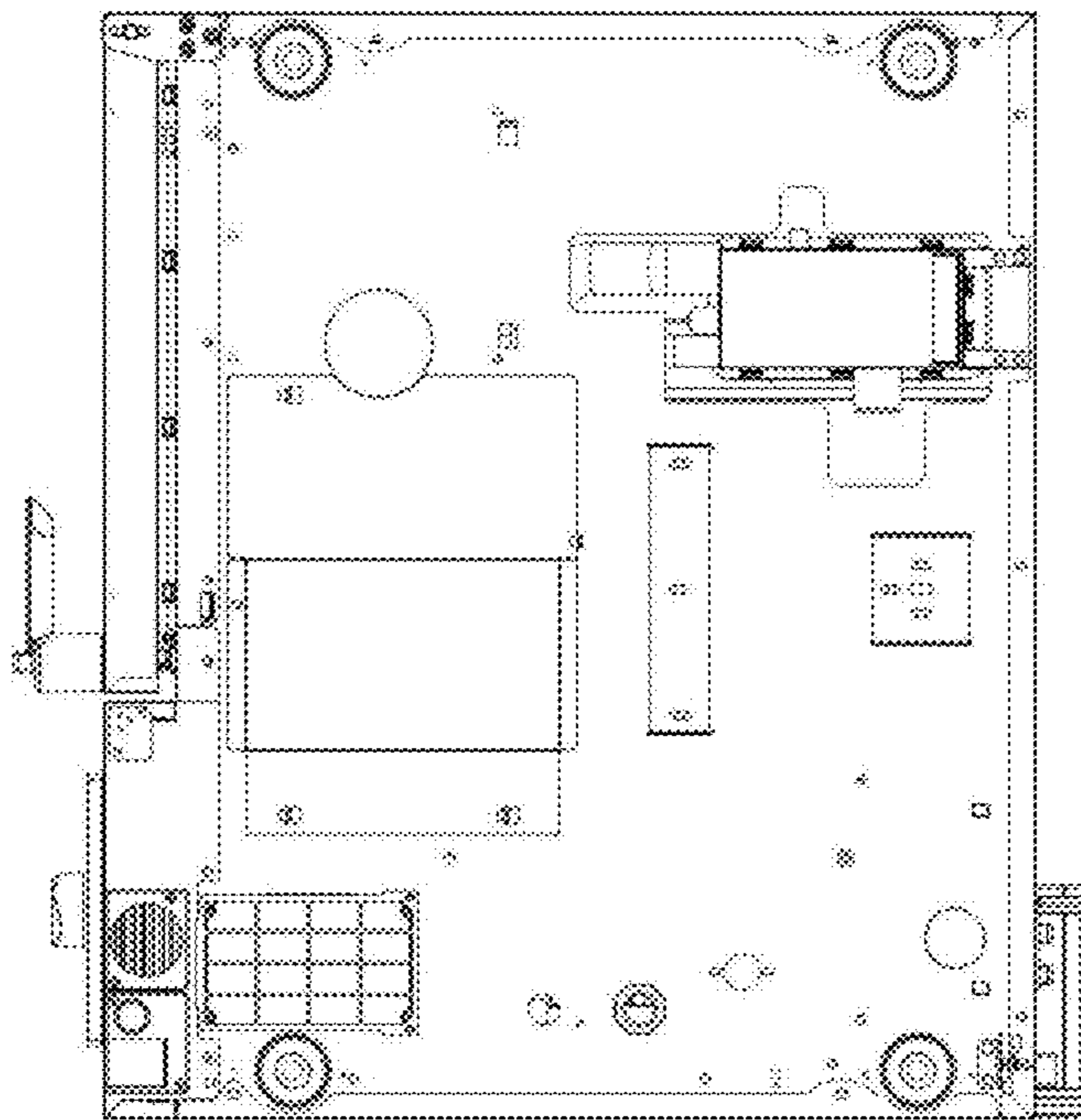


FIG. 14

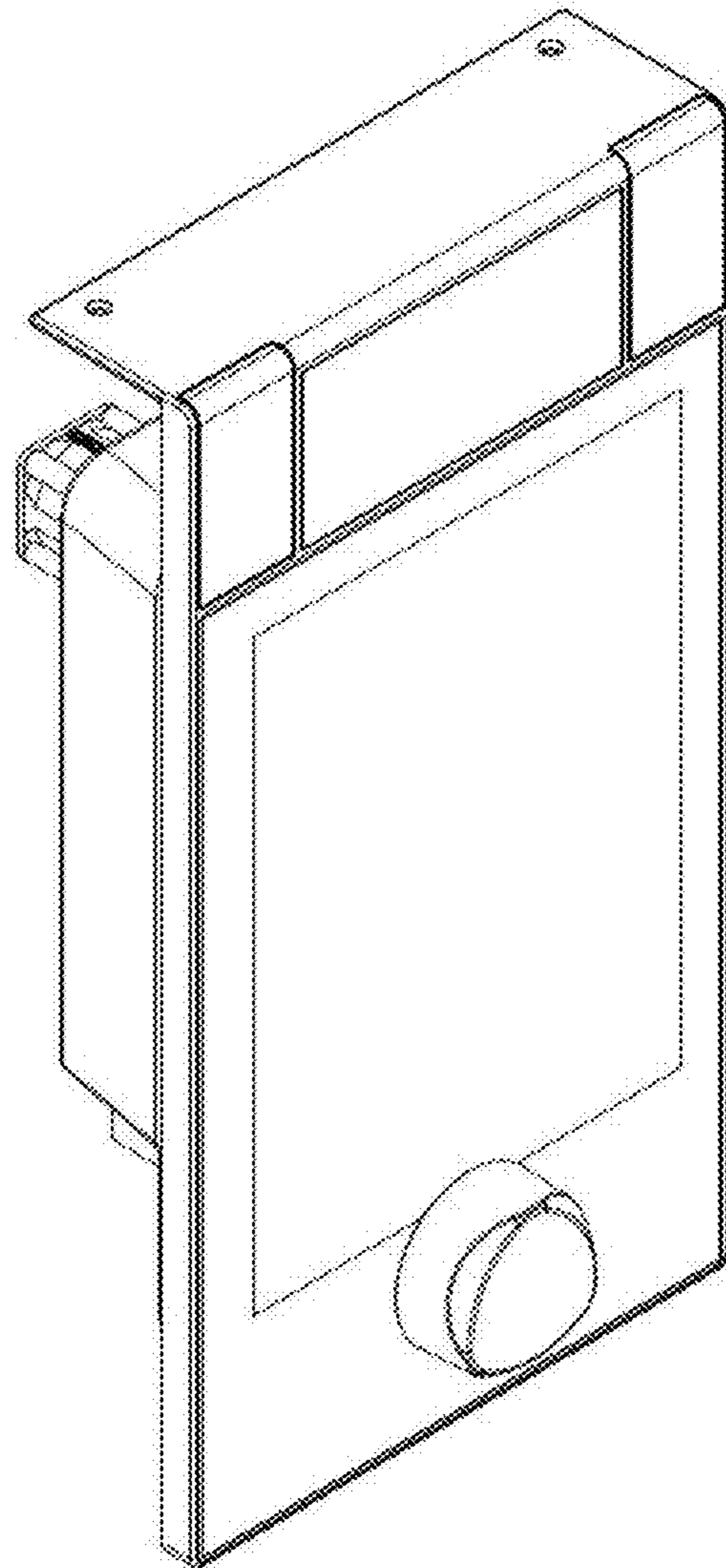


FIG. 15

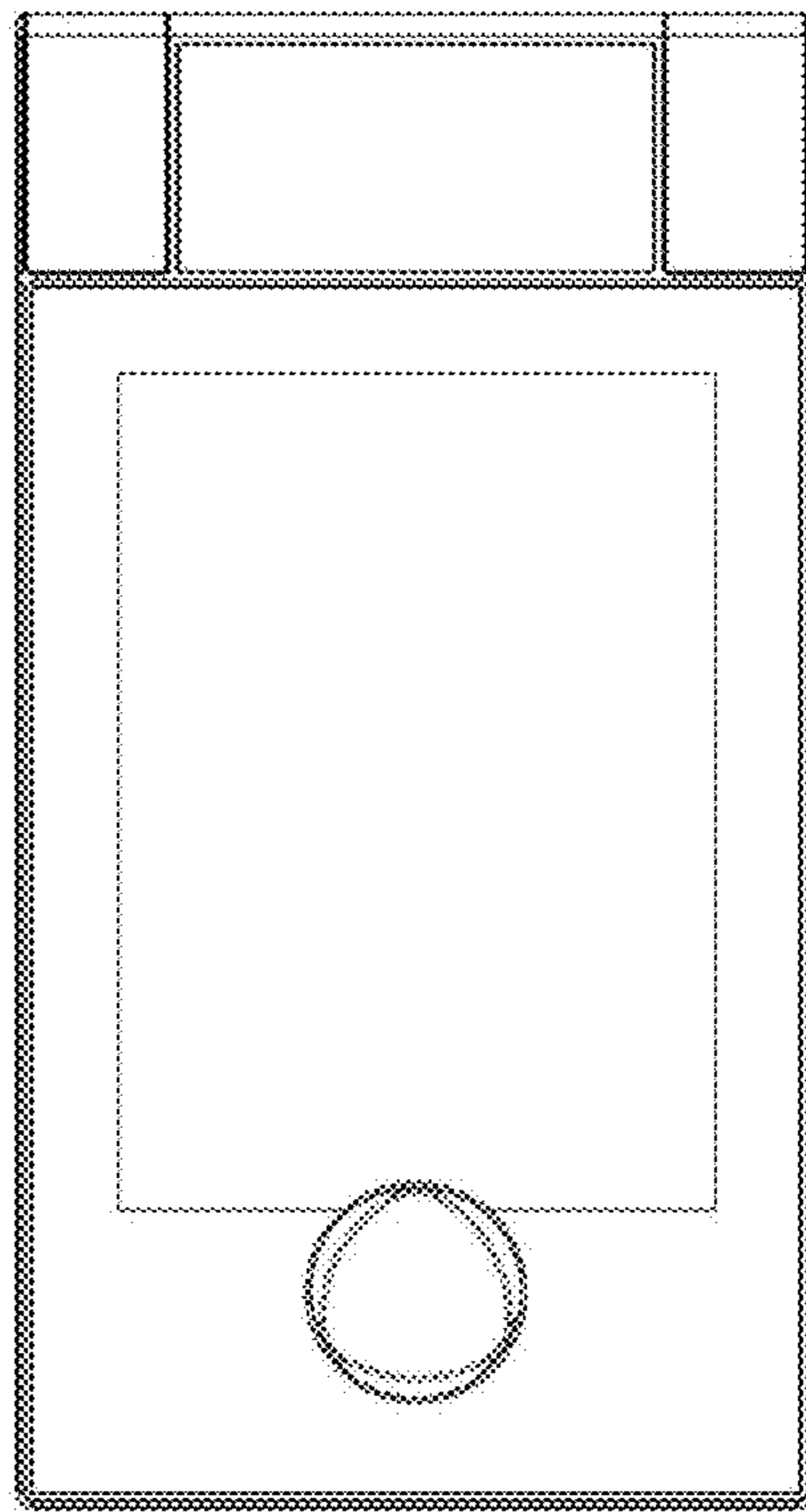


FIG. 16

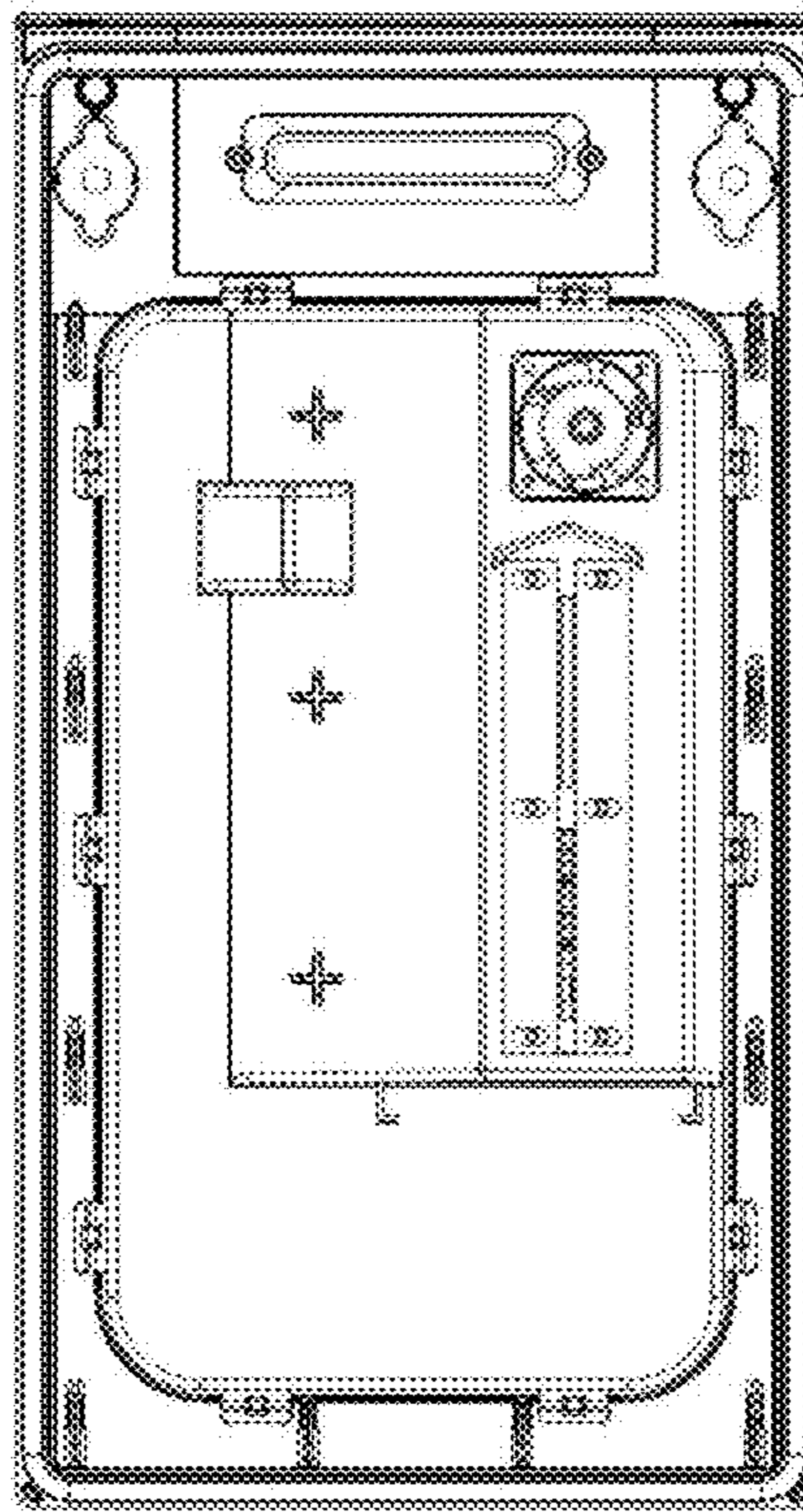


FIG. 17

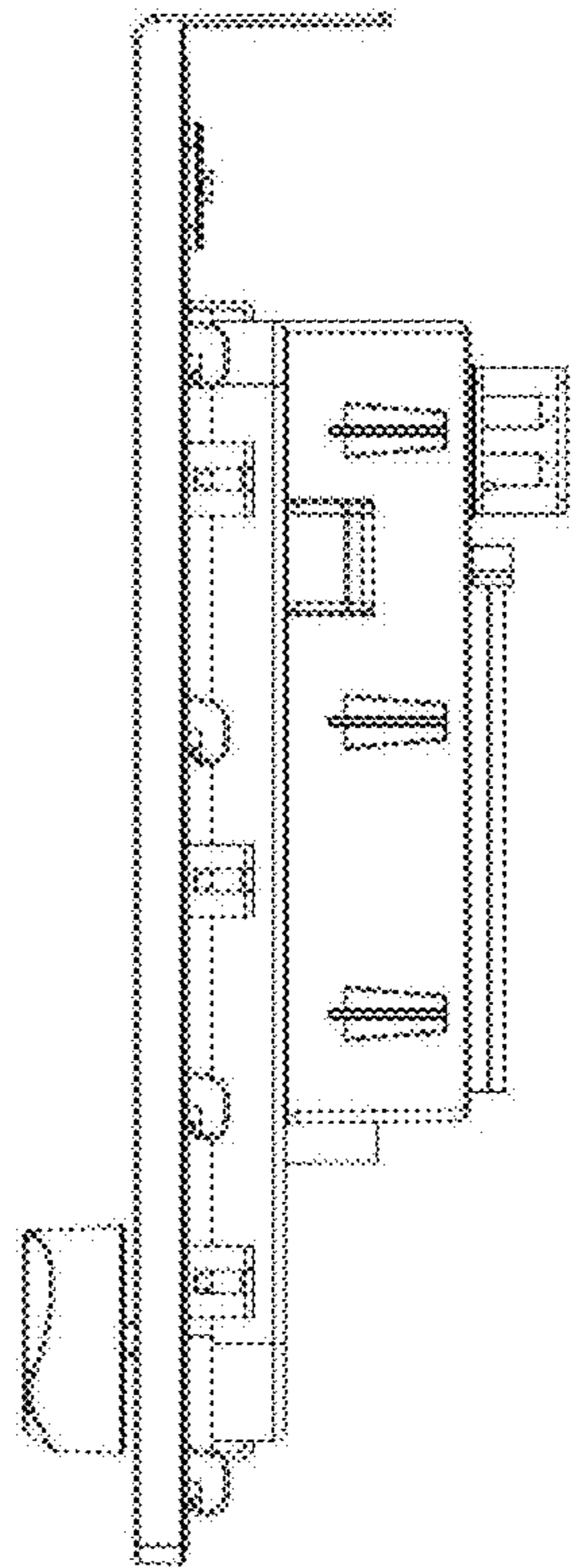


FIG. 18

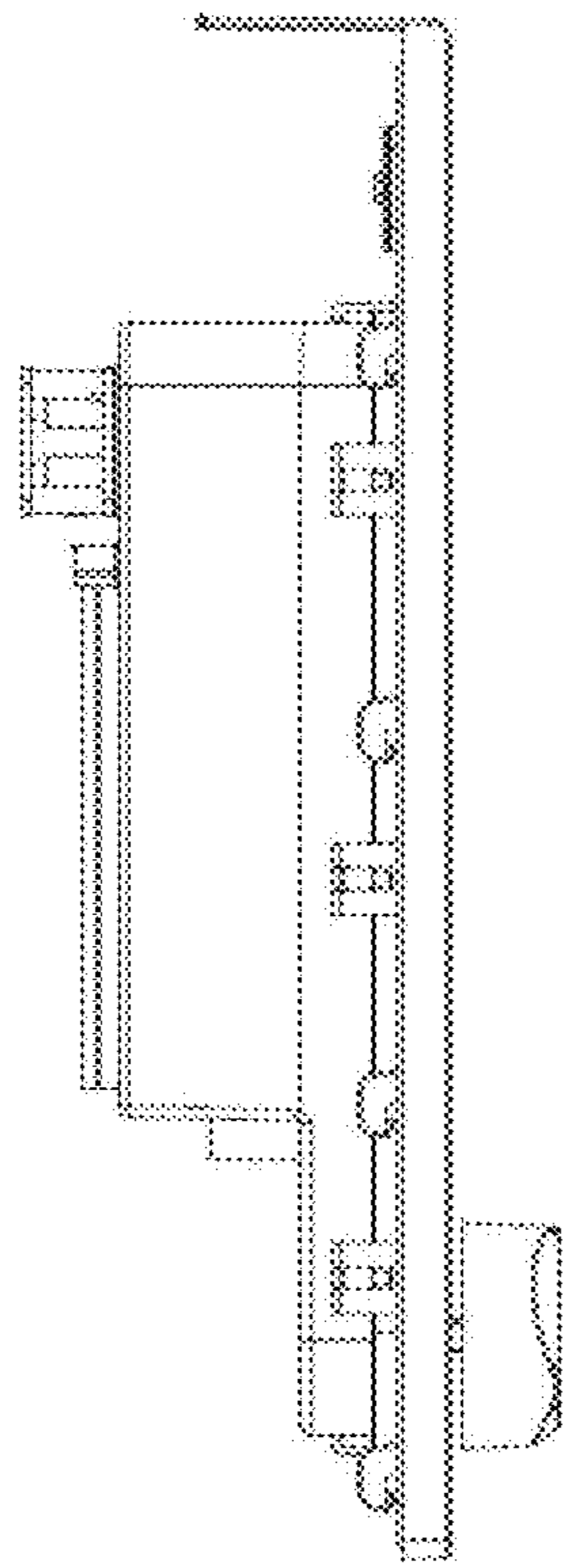


FIG. 19

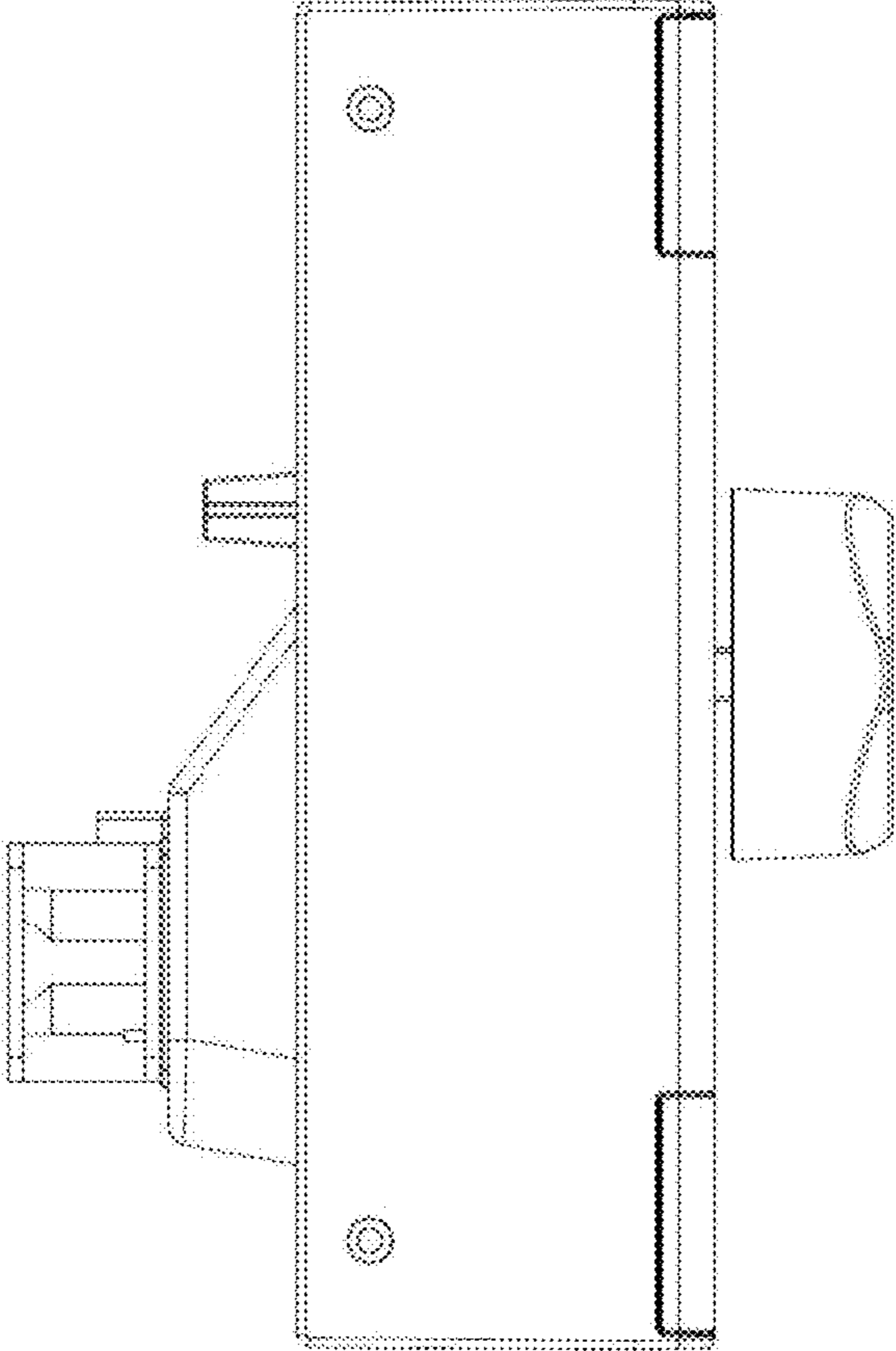


FIG. 20

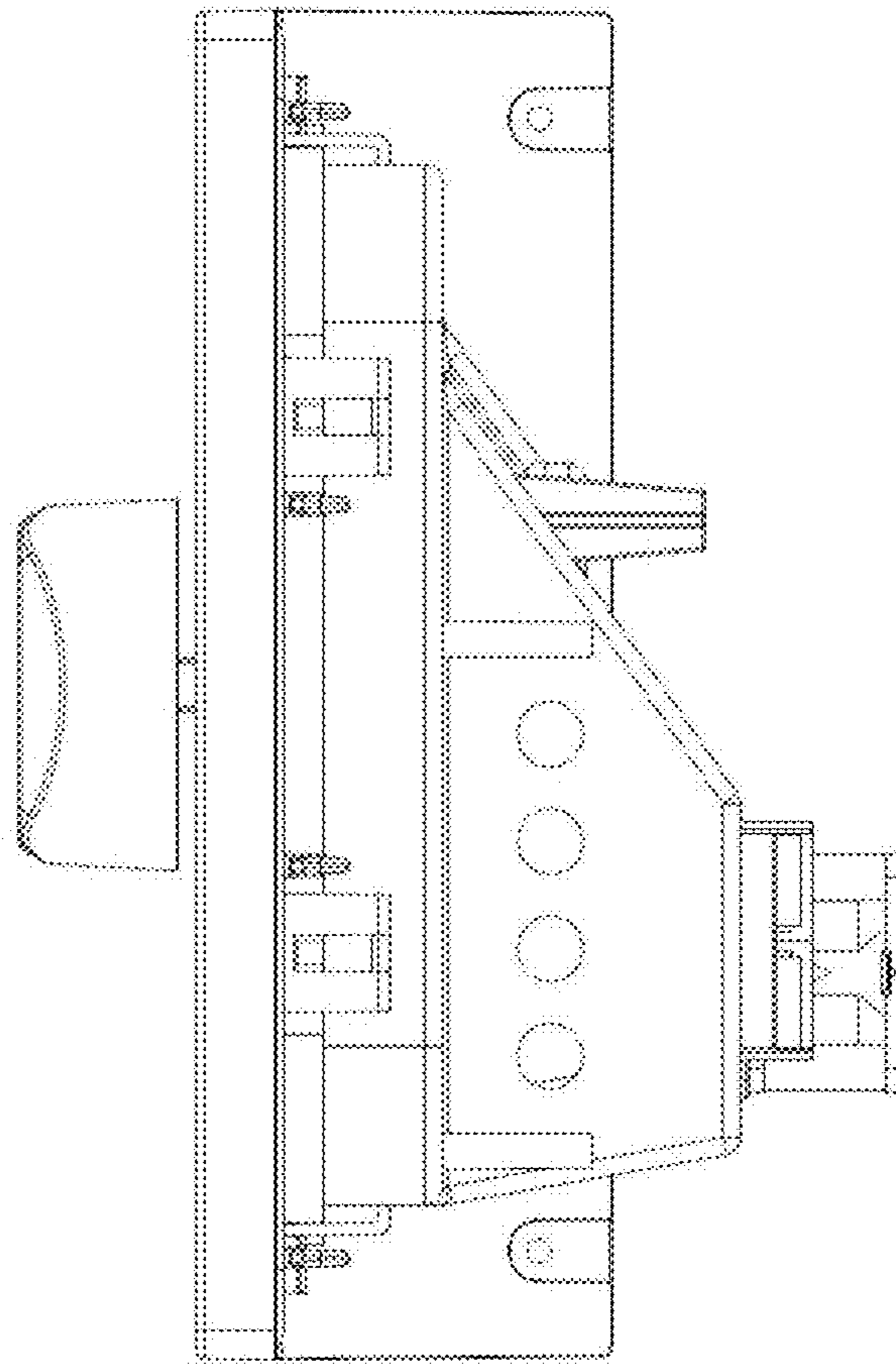


FIG. 21