



US00D903392S

(12) **United States Design Patent** (10) **Patent No.:** **US D903,392 S**
Walker et al. (45) **Date of Patent:** **** Dec. 1, 2020**

(54) **CHAIR**

(71) Applicant: **HERMAN MILLER, INC.**, Zeeland, MA (US)

(72) Inventors: **Brock Walker**, Okemos, MI (US);
Mark Goetz, Brooklyn, NY (US)

(73) Assignee: **HERMAN MILLER, INC.**, Zeeland, MI (US)

(**) Term: **15 Years**

(21) Appl. No.: **29/721,133**

(22) Filed: **Jan. 17, 2020**

Related U.S. Application Data

(60) Continuation of application No. 29/685,079, filed on Mar. 26, 2019, now Pat. No. Des. 875,454, which is a division of application No. 29/603,773, filed on May 12, 2017, now Pat. No. Des. 860,703.

(51) **LOC (12) Cl.** **06-01**

(52) **U.S. Cl.**
USPC **D6/716.1**

(58) **Field of Classification Search**
USPC D6/334-336, 364, 365, 366, 371, 372,
D6/373, 379, 716, 716.1, 716.2, 716.3,
D6/716.4
CPC .. A47C 1/03; A47C 7/004; A47C 7/18; A47C
7/24; A47C 7/40; A47C 7/54; A47C
7/546

See application file for complete search history.

(56) **References Cited**

U.S. PATENT DOCUMENTS

3,389,936 A * 6/1968 Drabert A47C 7/46
297/452.24
4,556,254 A 12/1985 Roberts

D292,351 S 10/1987 Brossard et al.
D320,507 S 10/1991 Shields
D403,518 S 1/1999 Wilson
D408,664 S * 4/1999 Hart D6/716.1
D461,322 S * 8/2002 Holbrook D6/366
D461,348 S * 8/2002 Holbrook D6/366
D469,265 S * 1/2003 Holbrook D6/366
D469,284 S * 1/2003 Holbrook D6/366
D505,024 S * 5/2005 Bellin D6/366
D543,388 S 5/2007 Machael et al.
D550,467 S 9/2007 Koepke et al.
D642,393 S 8/2011 Giugiaro
D647,338 S * 10/2011 Wu D6/716.1
D680,344 S 4/2013 Lievore
D680,345 S 4/2013 Xingchang
D696,871 S * 1/2014 Link D6/366
D698,191 S 1/2014 Kubryk
D705,561 S 5/2014 Massaud
D782,241 S 3/2017 Welsh et al.
D782,859 S 4/2017 Welsh et al.

(Continued)

Primary Examiner — Mimosa De

(74) *Attorney, Agent, or Firm* — Michael Best & Friedrich LLP

(57) **CLAIM**

We claim the ornamental design for a chair, as shown and described.

DESCRIPTION

FIG. 1 is a perspective view of a chair embodying the invention.

FIG. 2 is a front view of the chair of FIG. 1.

FIG. 3 is a back view of the chair of FIG. 1,

FIG. 4 is a first side view of the chair of FIG. 1.

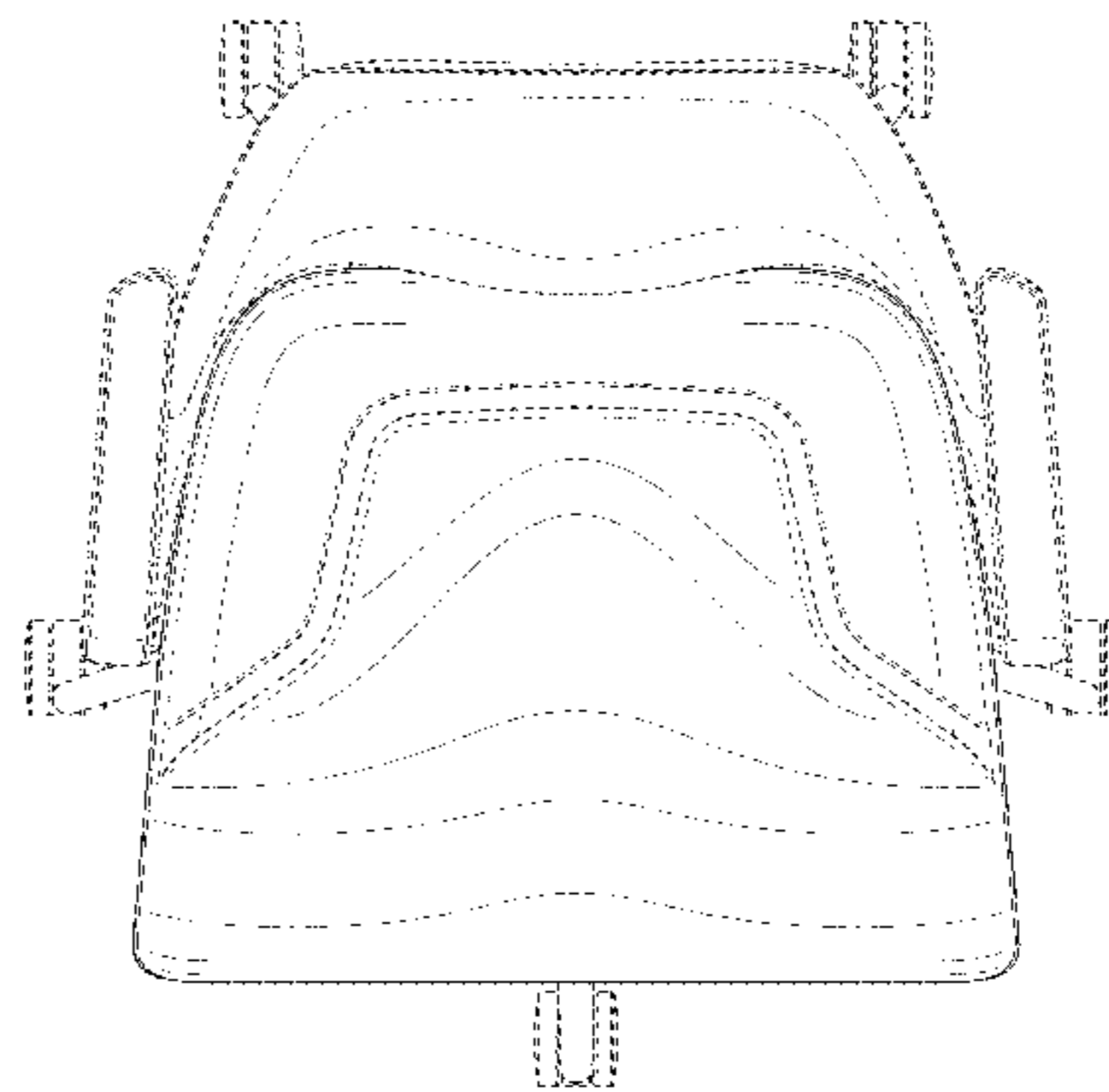
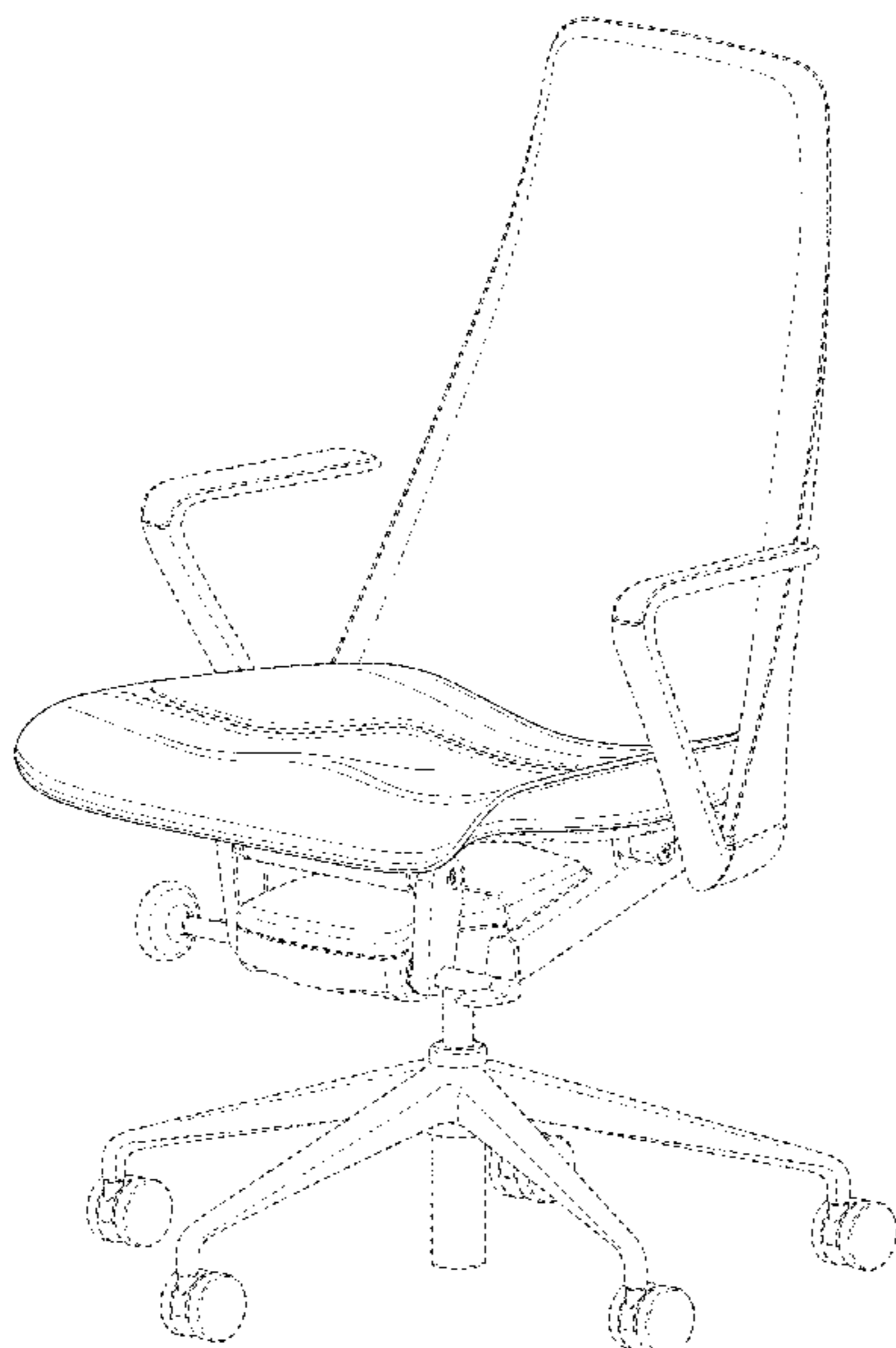
FIG. 5 is a second side view of the chair of FIG. 1.

FIG. 6 is a top view of the chair of FIG. 1; and,

FIG. 7 is a bottom view of the chair of FIG. 1.

Portions of the chair shown in broken lines are for illustrative purposes only and form no part of the claimed design.

1 Claim, 7 Drawing Sheets



(56)

References Cited

U.S. PATENT DOCUMENTS

D805,336 S * 12/2017 Guelfo D6/716.1
9,913,539 B2 3/2018 Potrykus et al.
D860,703 S 9/2019 Walker et al.
D875,454 S 2/2020 Walker et al.
2011/0031793 A1 2/2011 Machael et al.

* cited by examiner

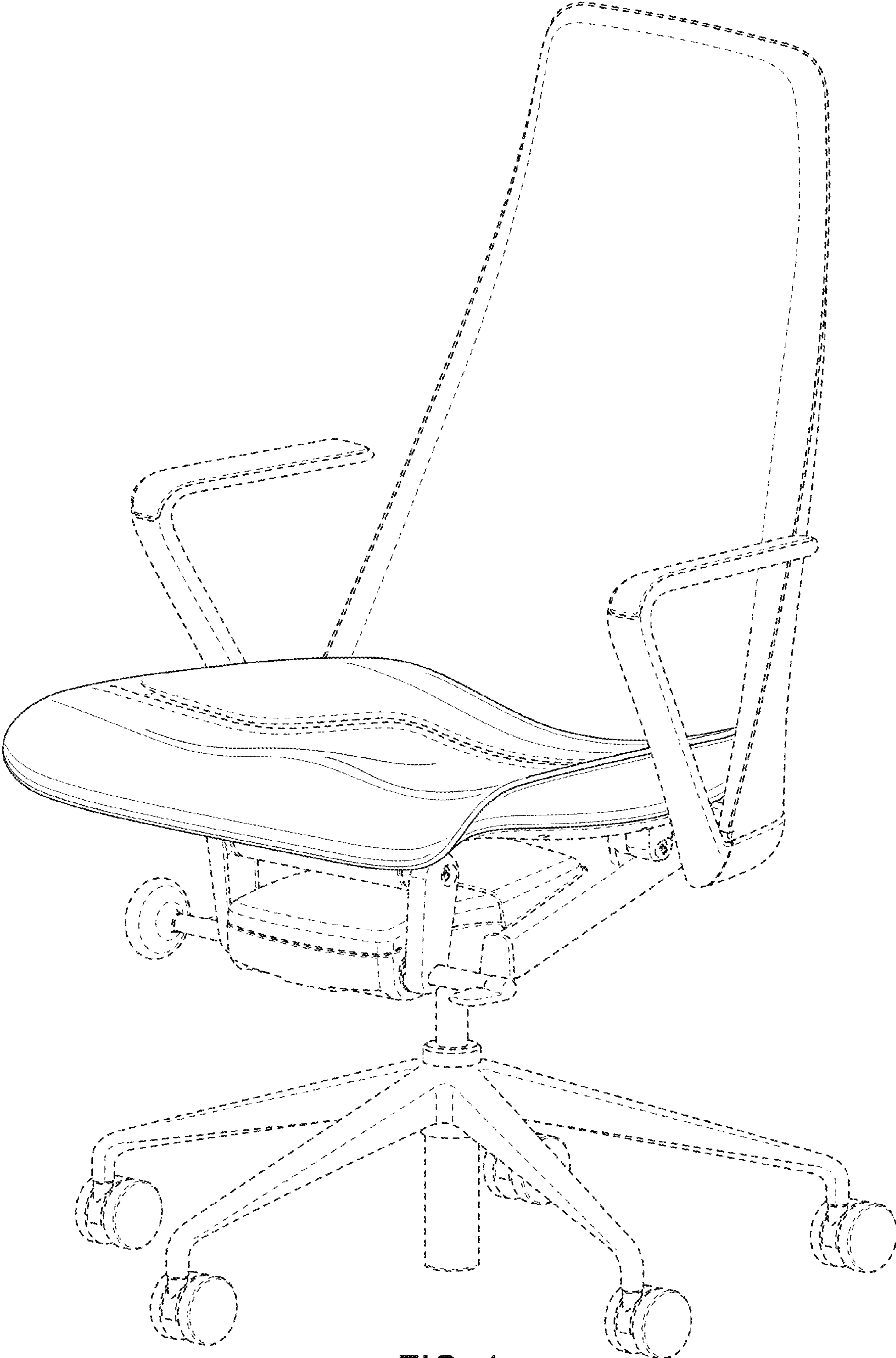


FIG. 1

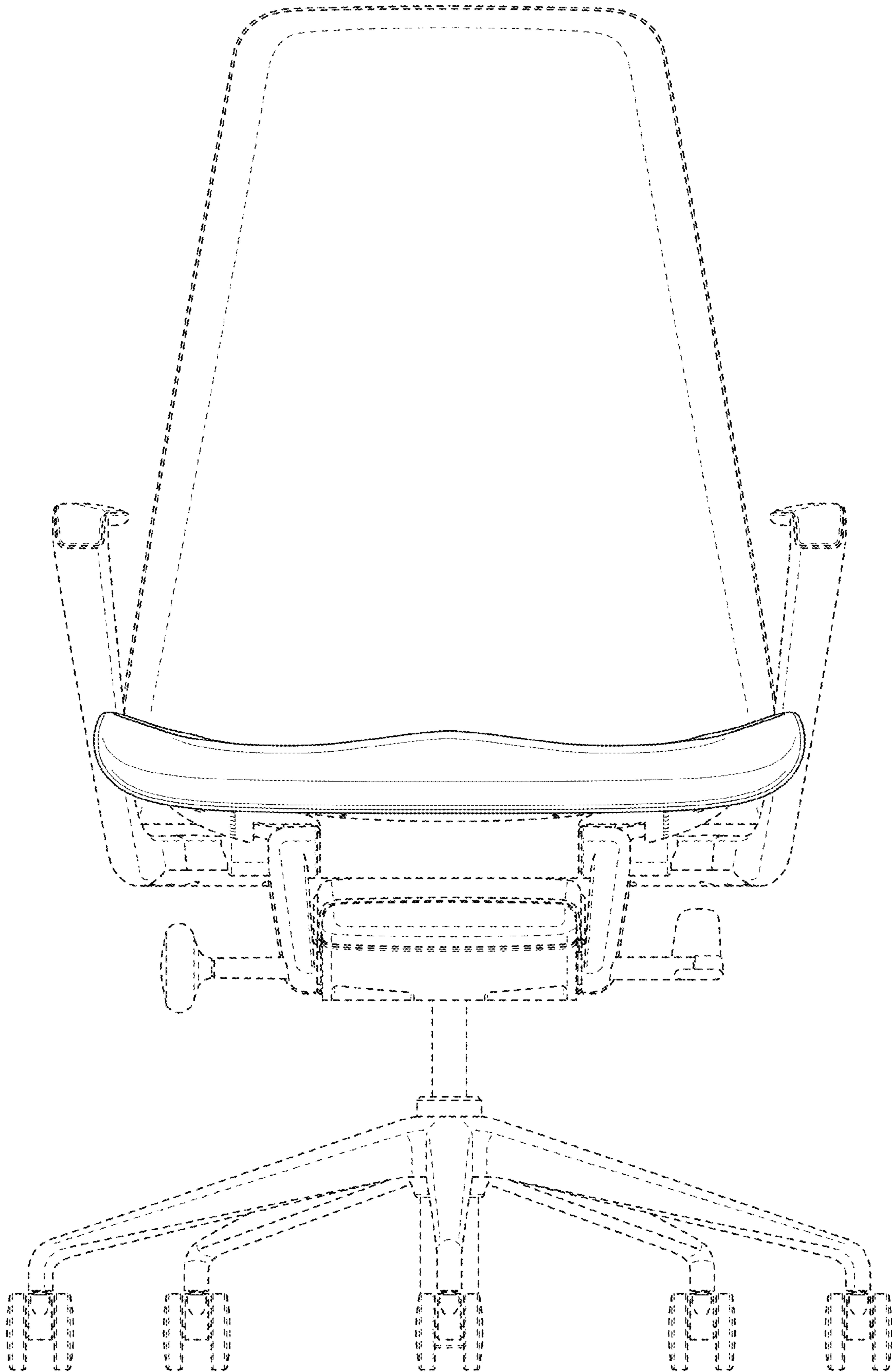


FIG. 2

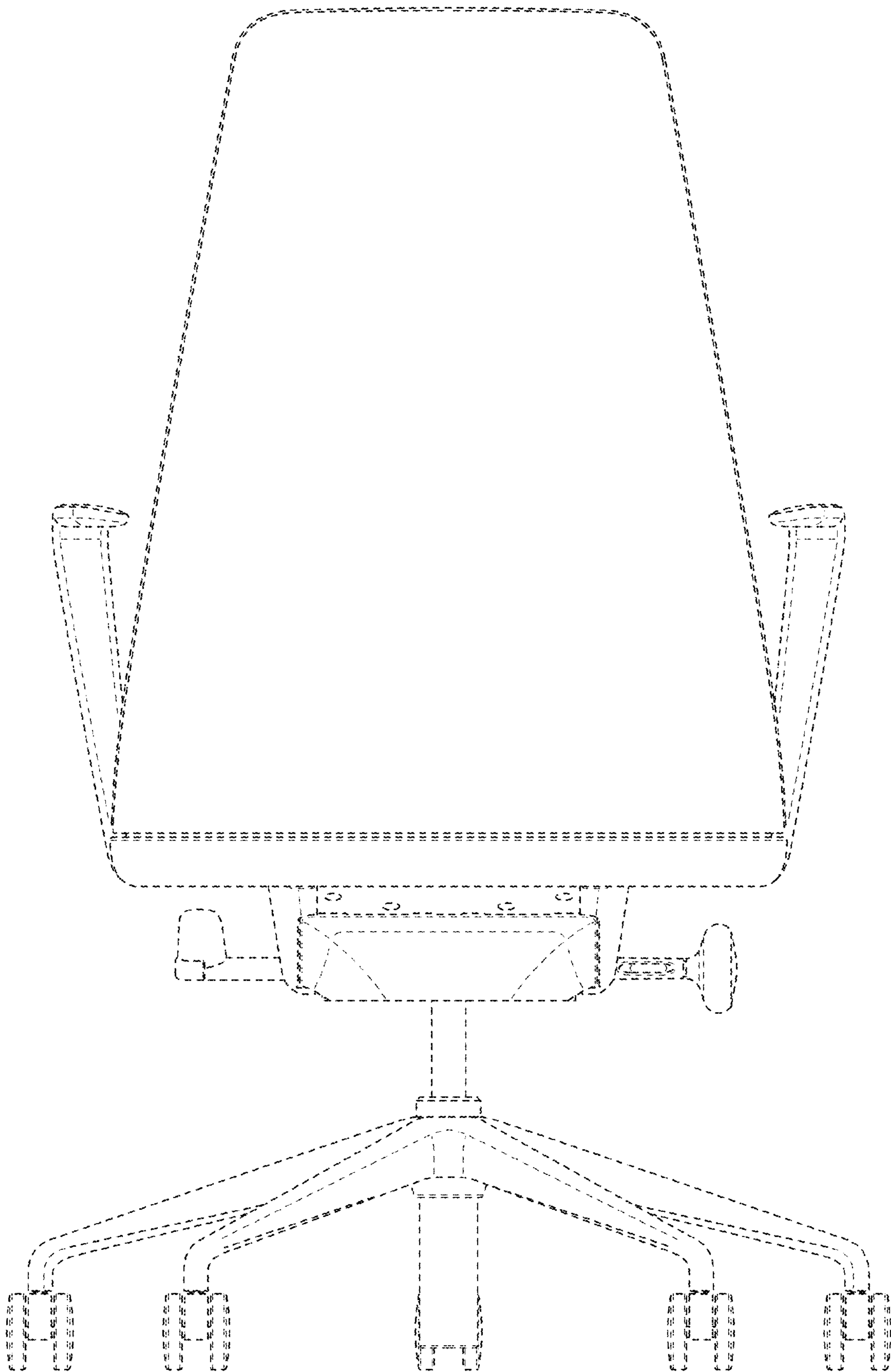


FIG. 3

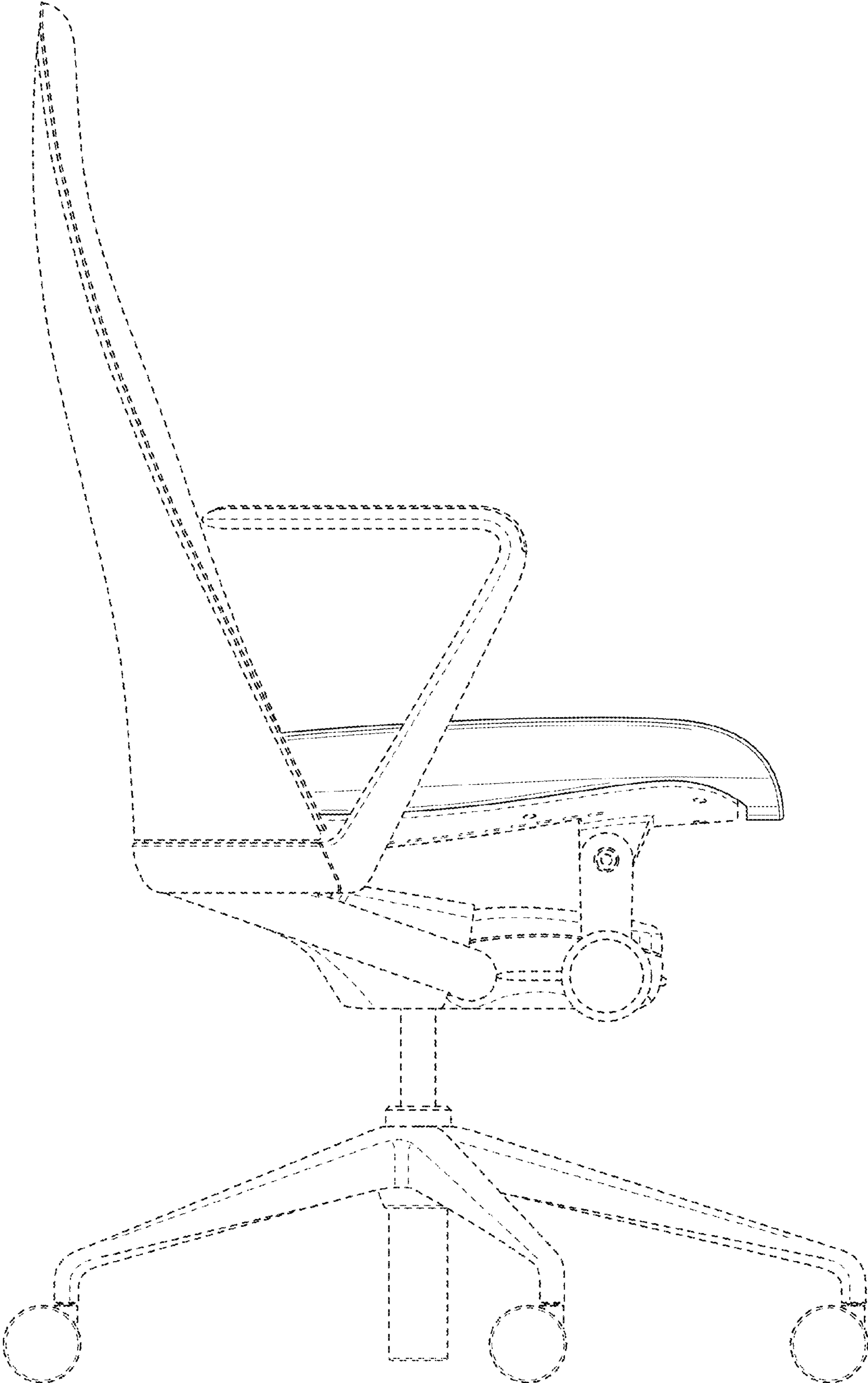


FIG. 4

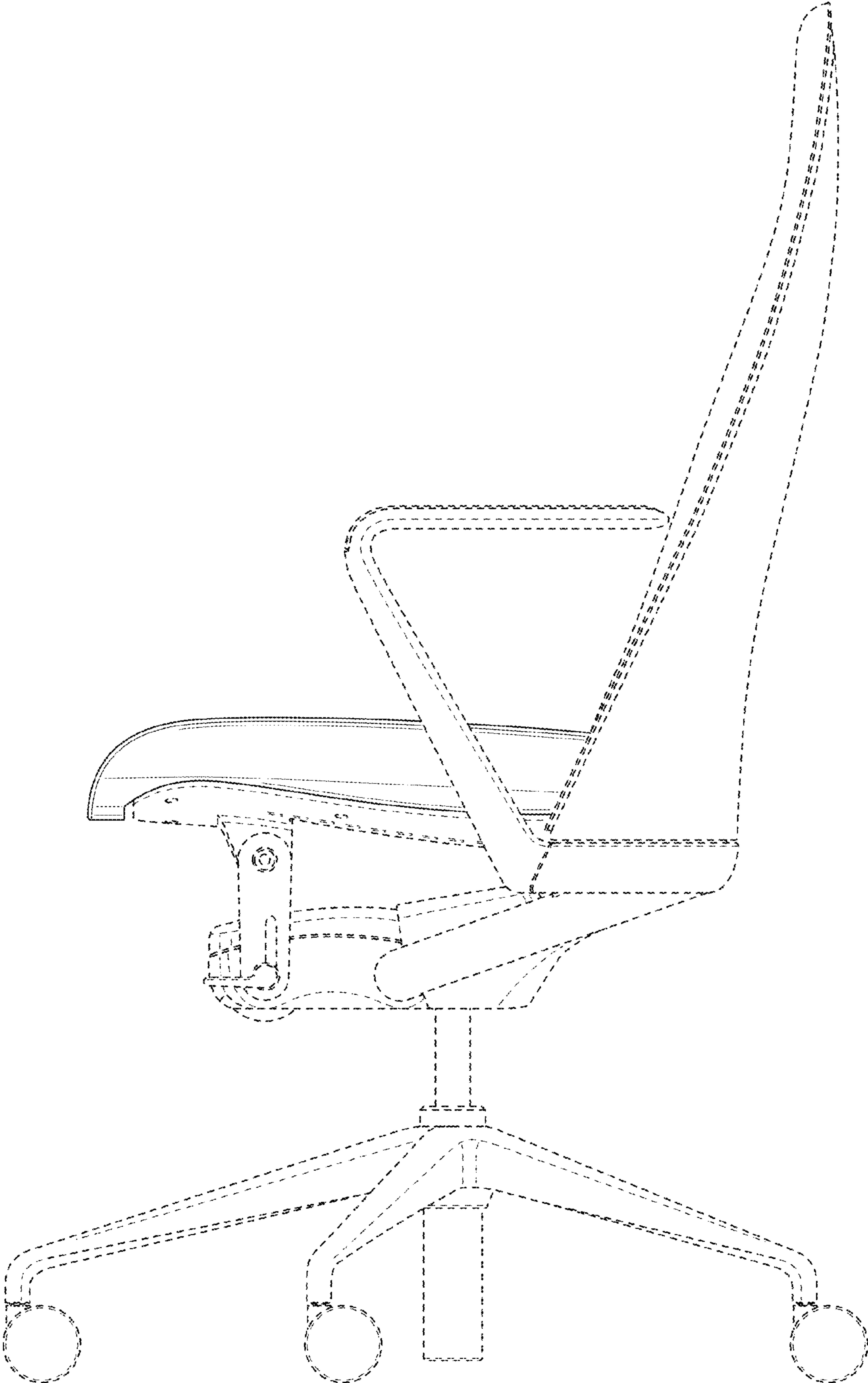


FIG. 5

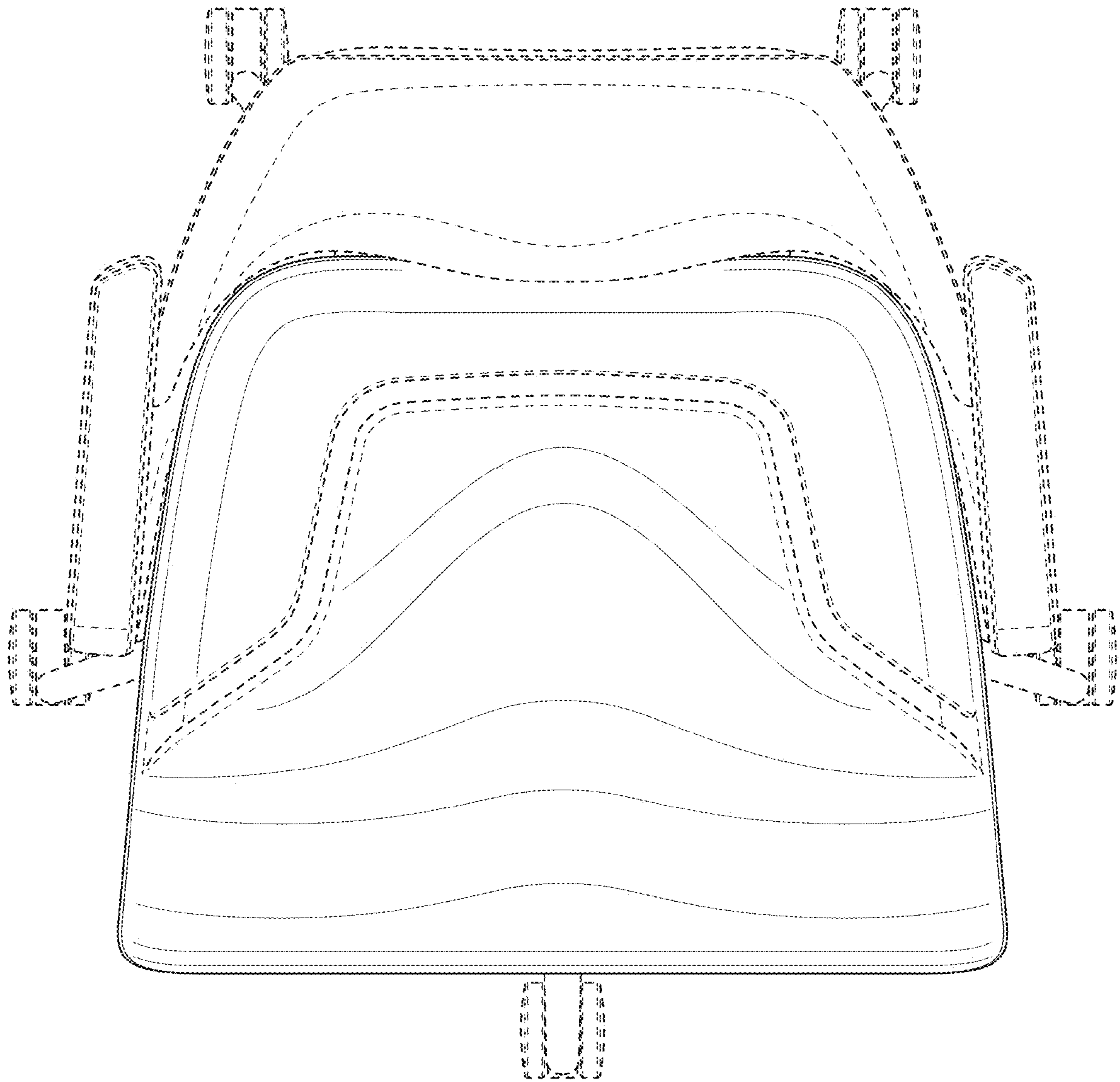


FIG. 6

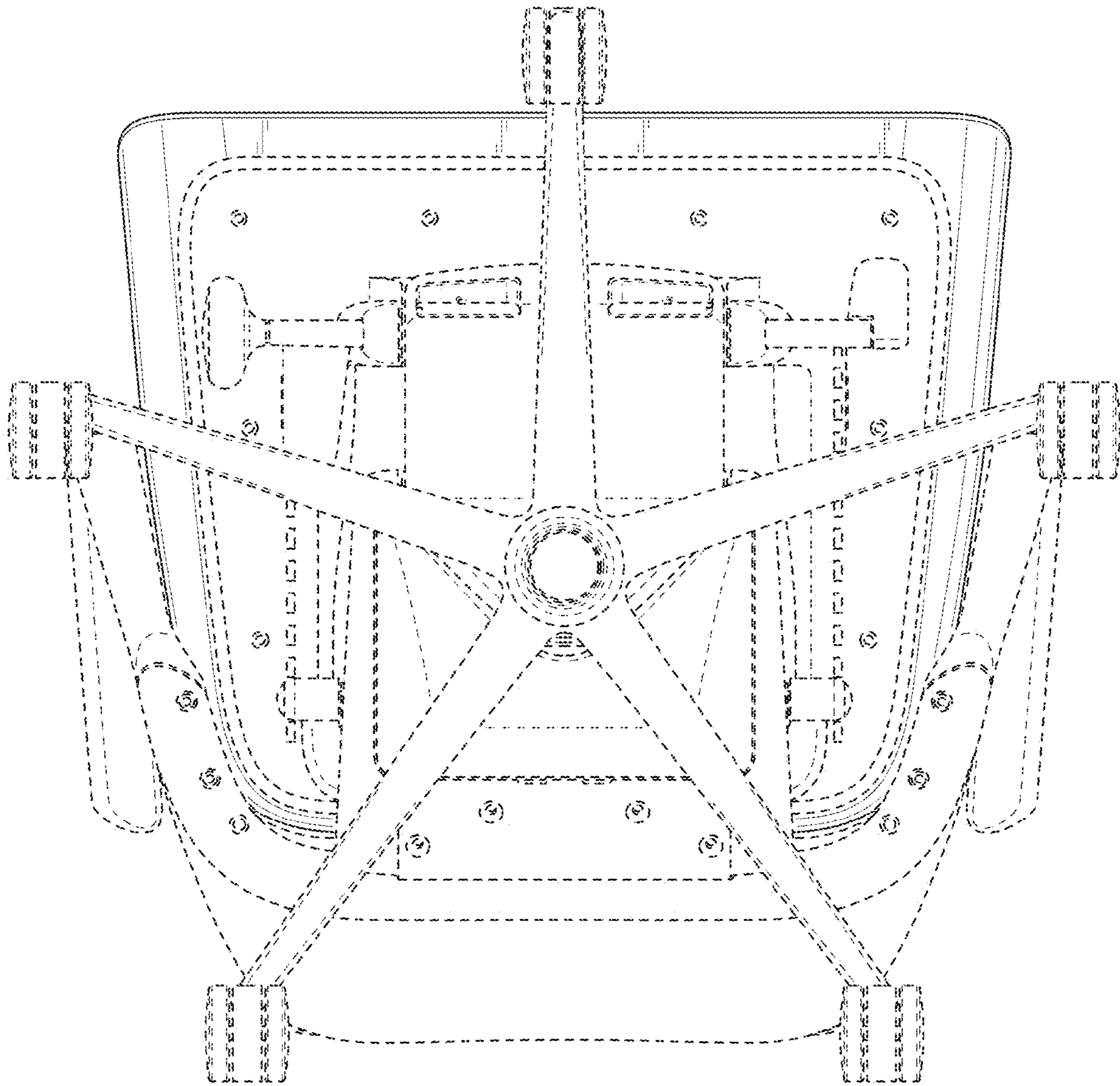


FIG. 7