



US00D903391S

(12) **United States Design Patent** (10) **Patent No.:** **US D903,391 S**
Chen (45) **Date of Patent:** **** Dec. 1, 2020**

(54) **HANGING CHAIR BRACKET**
(71) Applicant: **Wenzhou Yucan Electronic Commerce Co., Ltd, Wenzhou (CN)**
(72) Inventor: **Linfen Chen, Wenzhou (CN)**
(73) Assignee: **Wenzhou Yucan Electronic Commerce Co., Ltd, Wenzhou (CN)**
(**) Term: **15 Years**
(21) Appl. No.: **29/738,925**
(22) Filed: **Jun. 21, 2020**
(51) **LOC (12) Cl.** **06-01**
(52) **U.S. Cl.**
USPC **D6/716; D6/347**
(58) **Field of Classification Search**
USPC D6/334-336, 347, 348, 362, 368, 370, D6/371, 372, 373, 374, 375, 376, 379, D6/380, 715, 716, 716.1, 716.2, 716.3, D6/716.4; D21/823
CPC A47C 1/146; A47C 3/16; A47C 7/021; A47C 4/04; A47C 4/045; A47C 4/283; A47C 5/04; A47C 5/10; A47C 3/0255; A47C 5/06; A63G 9/00; A63G 9/02; A63G 9/04; A63G 9/14
See application file for complete search history.

D368,816 S * 4/1996 Mitchell D6/715
5,525,113 A * 6/1996 Mitchell A63G 9/00
472/119
D371,250 S * 7/1996 Herman D6/368
D421,345 S * 3/2000 Silva D6/368
D468,920 S * 1/2003 Stribel D6/368
D477,719 S * 7/2003 Chaudeurge D6/339
D485,690 S * 1/2004 Hsia D6/347
D581,191 S 11/2008 Shen
D641,563 S * 7/2011 Matteson D6/368
D666,017 S * 8/2012 Freitas Mayer D6/368
D822,396 S * 7/2018 Pinholster D6/716
D870,537 S 12/2019 Mundis

* cited by examiner

Primary Examiner — Mimosa De
(74) *Attorney, Agent, or Firm* — ScienBiziP, P.C.

(57) **CLAIM**

The ornamental design for a hanging chair bracket, as shown and described.

DESCRIPTION

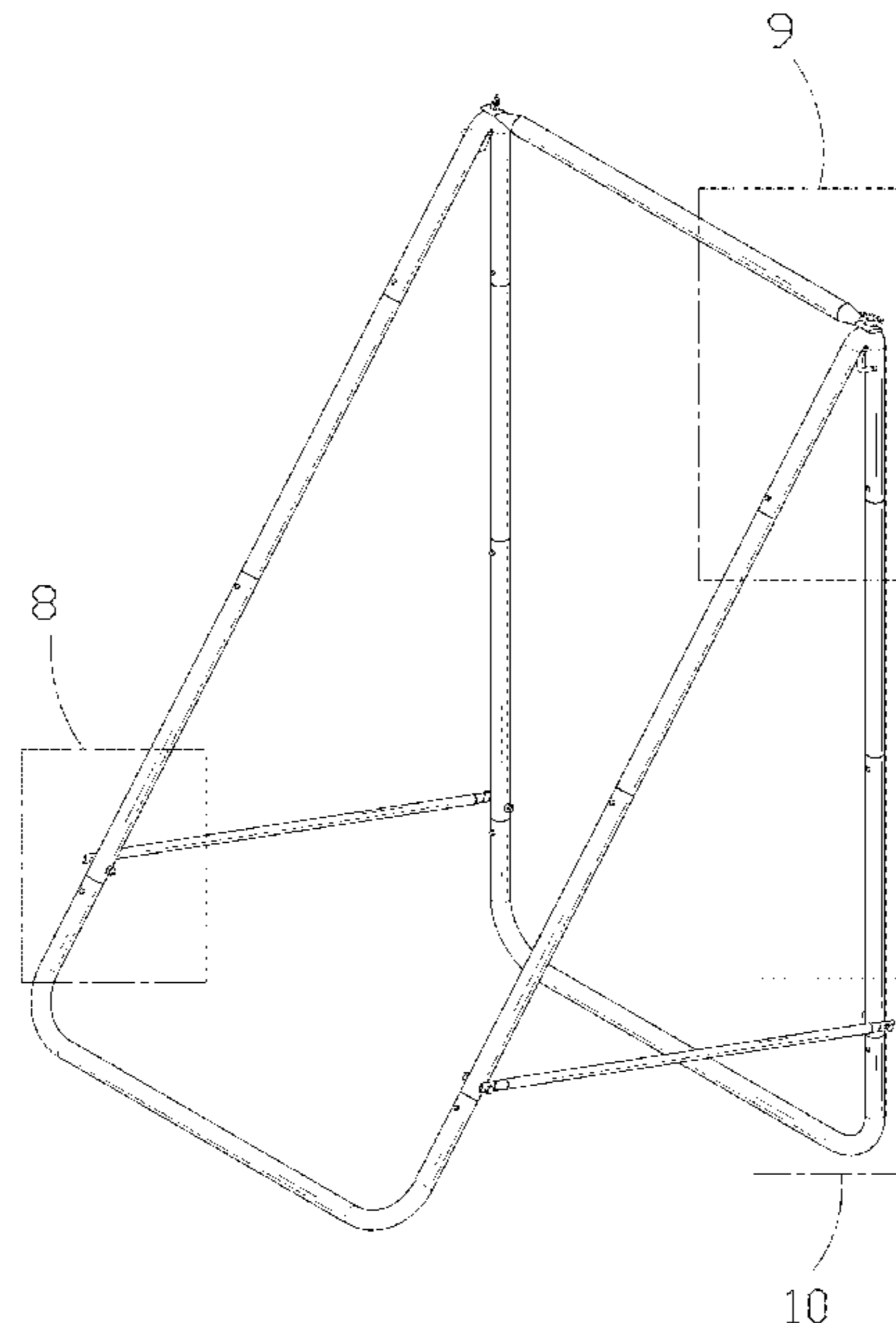
FIG. 1 is a front and right perspective view of a hanging chair bracket, showing my design.
FIG. 2 is a front elevation view thereof.
FIG. 3 is a rear elevation view thereof.
FIG. 4 is a left side elevation view thereof.
FIG. 5 is a right side elevation view thereof.
FIG. 6 is a top plan view thereof.
FIG. 7 is a bottom plan view thereof.
FIG. 8 is an enlarged view of an area labeled 8 in FIG. 1.
FIG. 9 is an enlarged view of an area labeled 9 in FIG. 1; and,
FIG. 10 is an enlarged view of an area labeled 10 in FIG. 1.
The broken lines are for environmental structure, boundaries, or illustrative purposes only and form no part of the claimed designs to be patented.

(56) **References Cited**

U.S. PATENT DOCUMENTS

1,842,424 A * 1/1932 Ponten A47C 1/146
297/377
D234,935 S * 4/1975 Dransart D6/368
D247,833 S * 5/1978 Kearns D6/347
D343,525 S * 1/1994 Wright D6/335
D349,819 S * 8/1994 Noll D6/344
D368,381 S * 4/1996 Lang D6/368

1 Claim, 10 Drawing Sheets



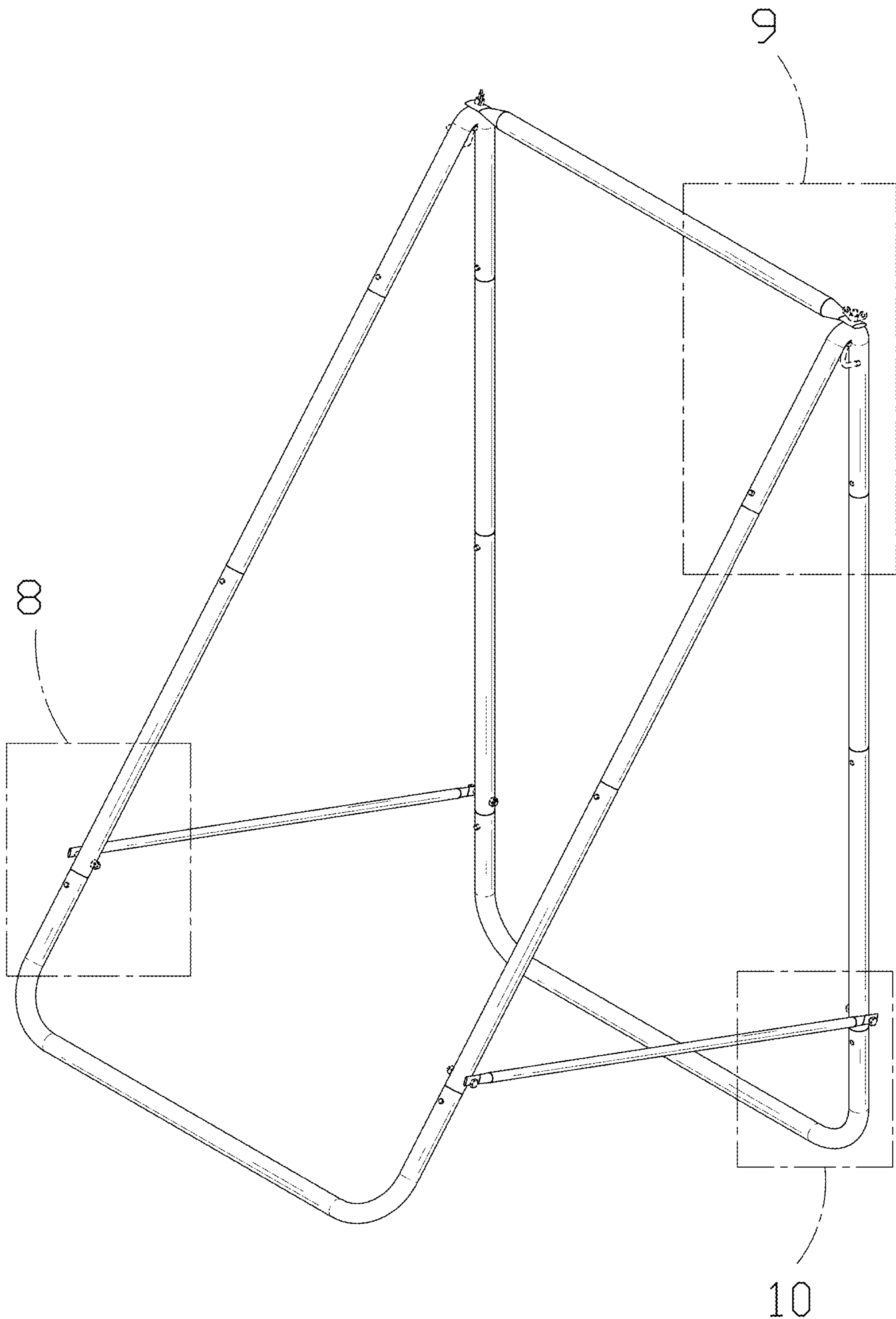


FIG. 1

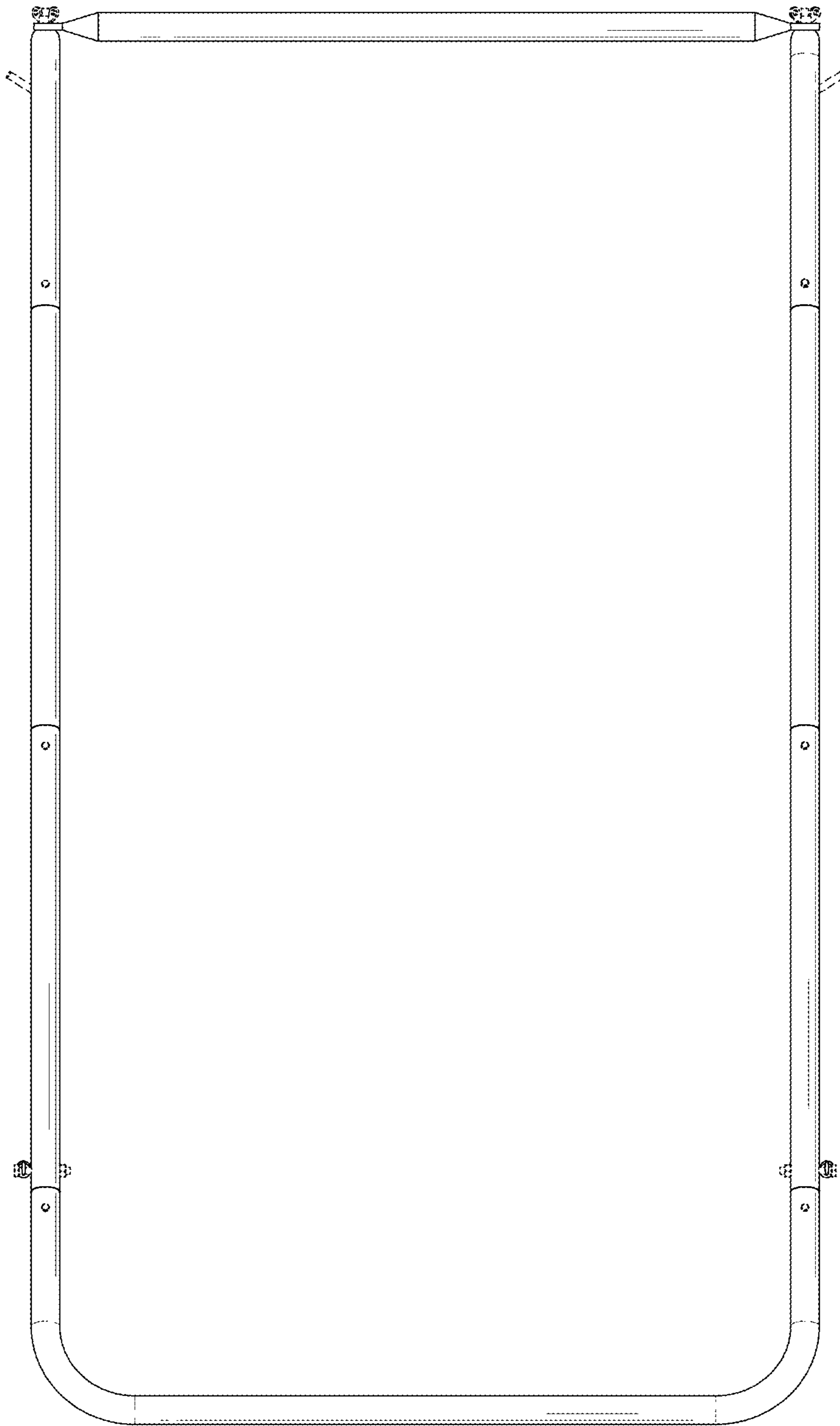


FIG. 2

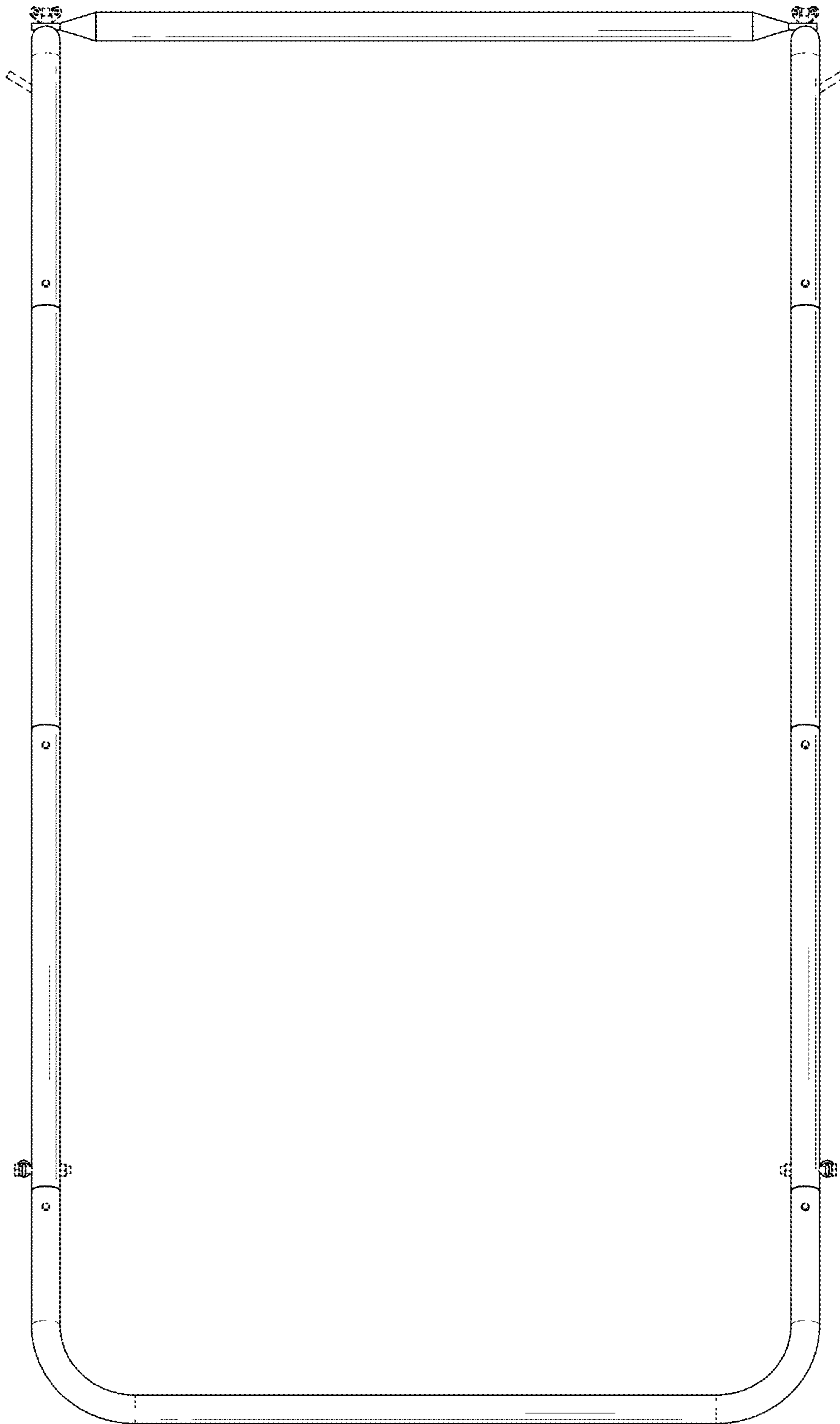


FIG. 3

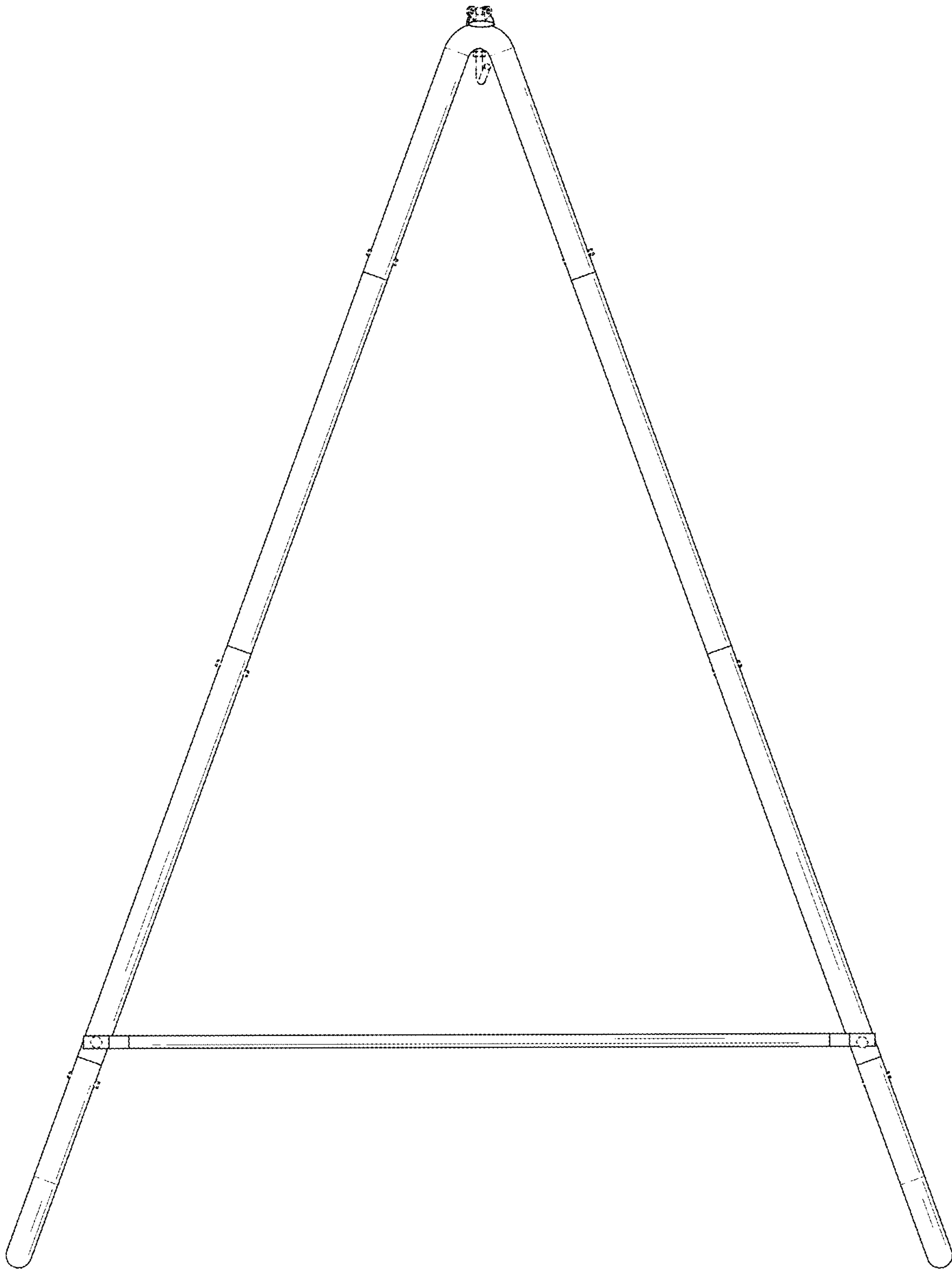


FIG. 4

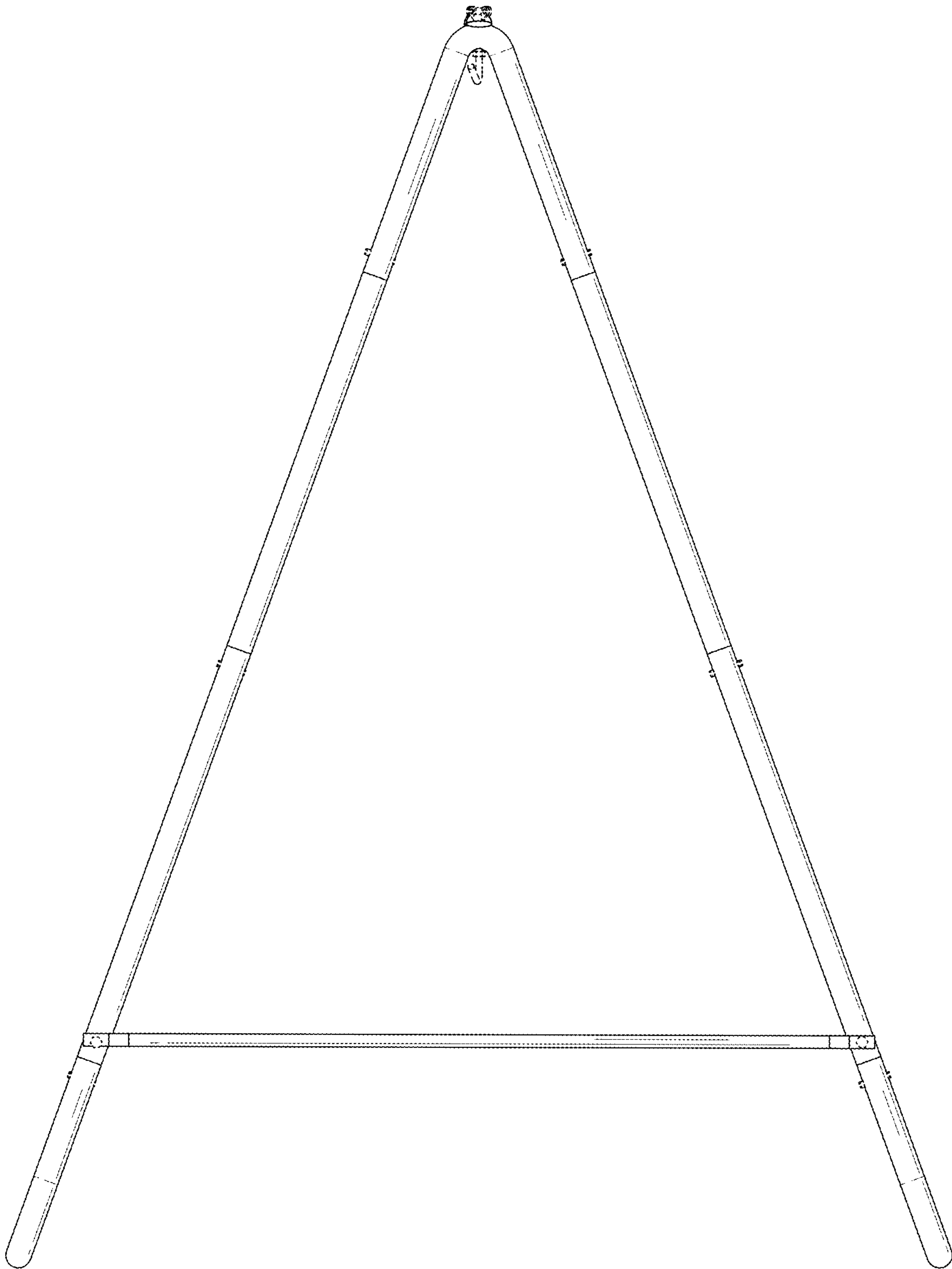


FIG. 5

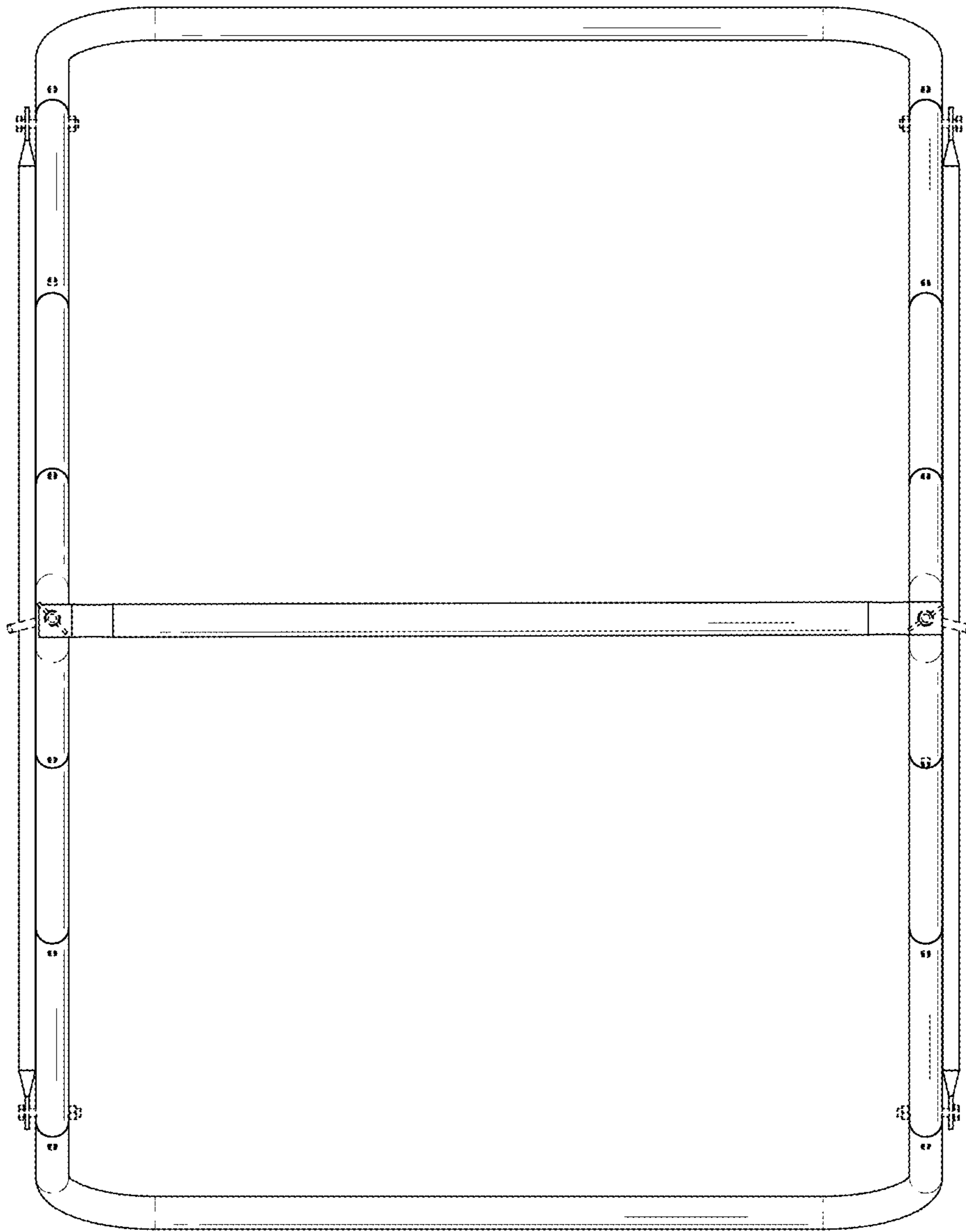


FIG. 6

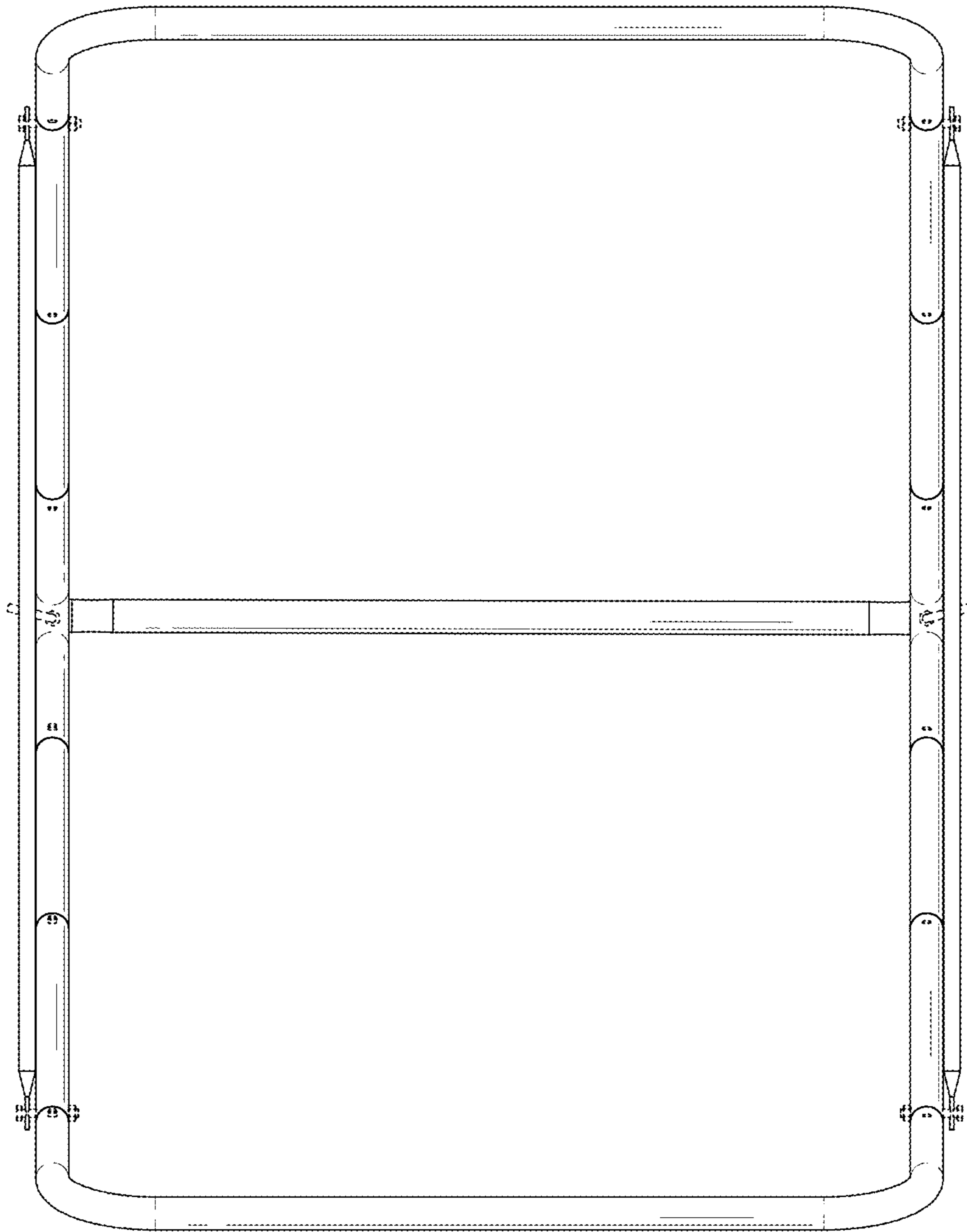


FIG. 7

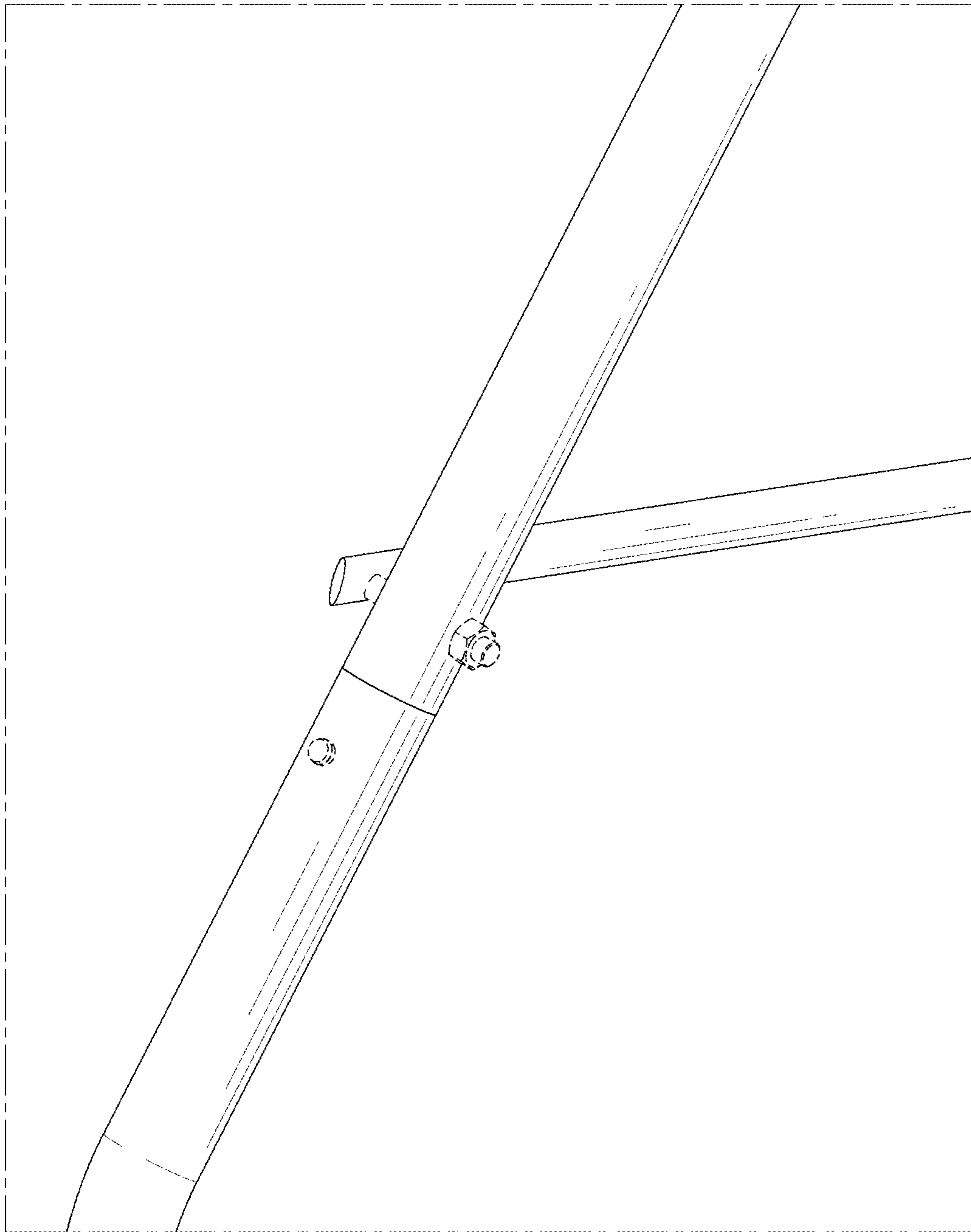


FIG. 8

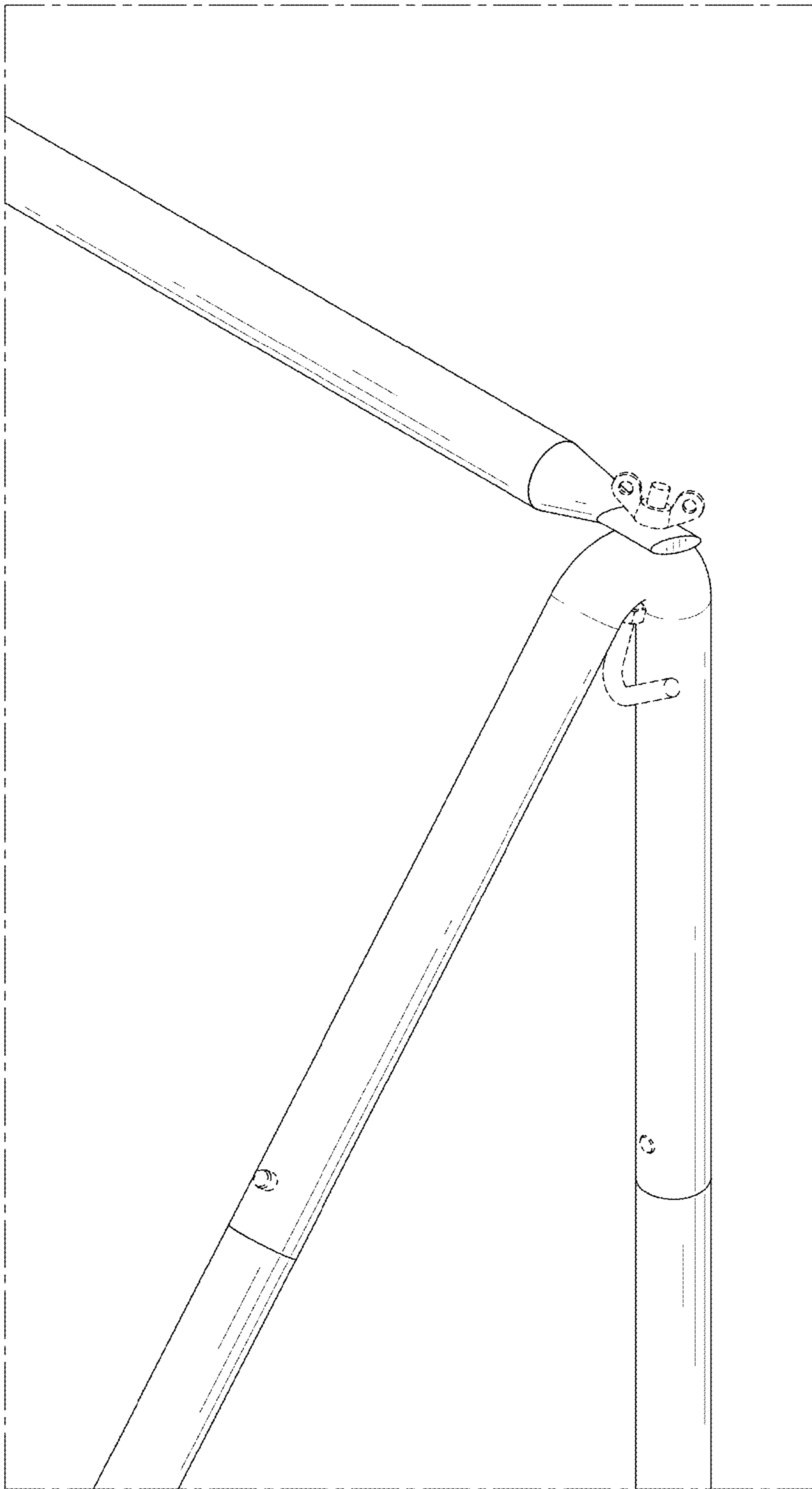


FIG. 9

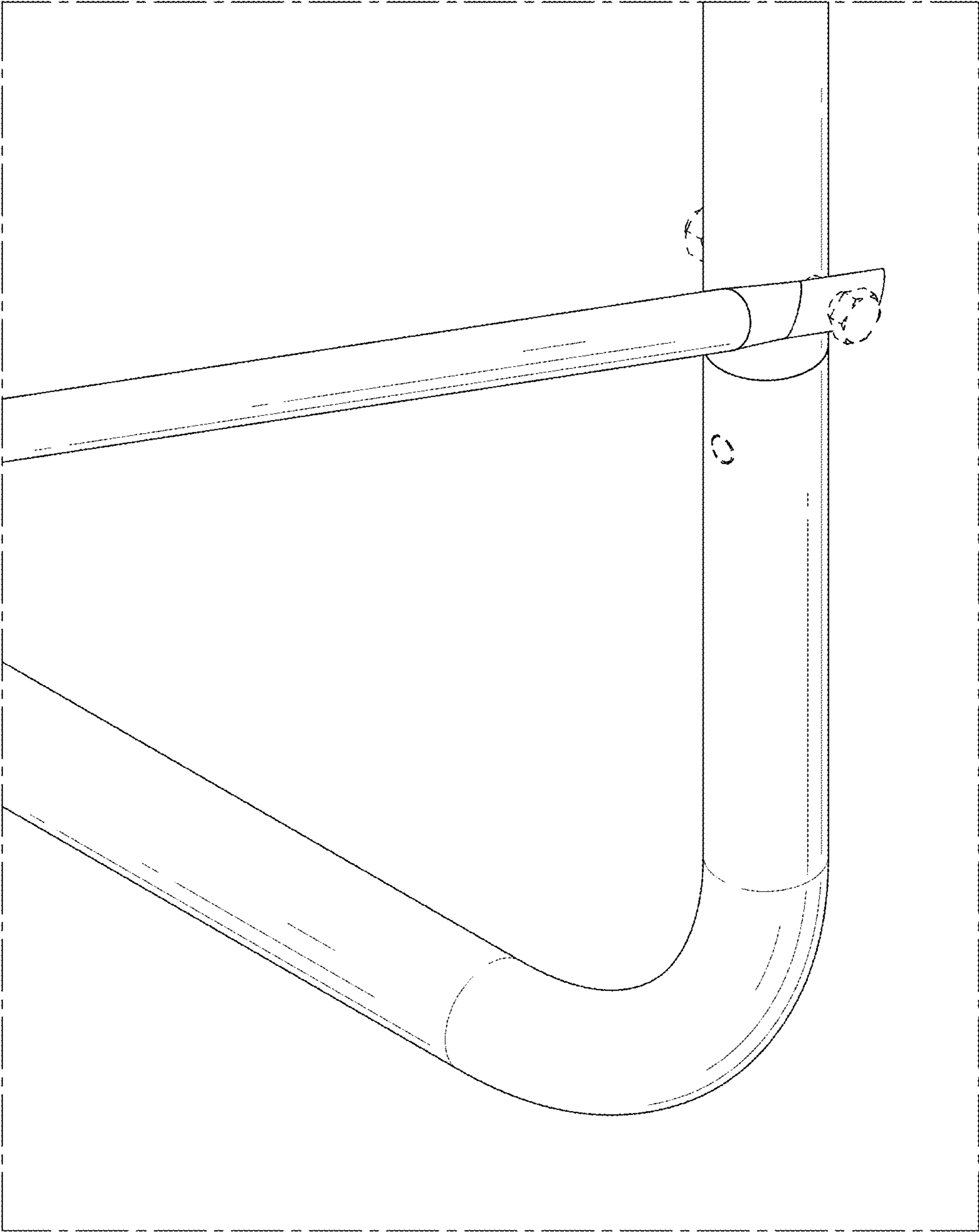


FIG. 10