



US00D903389S

(12) **United States Design Patent**  
**Carvalho et al.**

(10) **Patent No.:** **US D903,389 S**

(45) **Date of Patent:** **\*\* Dec. 1, 2020**

(54) **RACK**

(71) Applicants: **Franklin T. Carvalho**, Middleton, ID (US); **Donald J. Bowman, Jr.**, Middleton, ID (US)

(72) Inventors: **Franklin T. Carvalho**, Middleton, ID (US); **Donald J. Bowman, Jr.**, Middleton, ID (US)

(\*\*) Term: **15 Years**

(21) Appl. No.: **29/676,011**

(22) Filed: **Jan. 7, 2019**

(51) **LOC (12) Cl.** ..... **06-06**

(52) **U.S. Cl.**  
USPC ..... **D6/705**

(58) **Field of Classification Search**

USPC ..... D6/300, 310, 320, 329, 512, 513, 514, D6/515, 545, 567, 574, 641, 642, 661, D6/662.1, 663-691, 694, 702, 705, 705.2, D6/705.4, 705.5, 705.6, 705.7, 706, D6/708.16, 712, 719; D7/300, 301, 302, D7/303, 304, 305, 306, 307, 308, 309, D7/310, 311, 312, 313, 314, 315, 316, D7/317, 318, 319, 320, 321, 322, 396.1, D7/552.2, 600, 600.1, 600.4, 701; D8/71, D8/354, 363, 373, 374, 377, 381, 394; D3/201, 297, 304, 306

CPC ..... A47B 11/00; A47B 9/00; A47B 51/00; A47B 57/00; A47B 57/08; A47B 57/10; A47B 57/16; A47B 57/30; A47B 45/00; A47B 47/00; A47B 47/021; A47B 47/025; A47B 47/027; A47B 87/00; A47B 87/008; A47B 87/02; A47B 87/0207; A47B 43/00; A47B 43/03; A47B 43/04; A47B 88/00; A47B 88/40; A47B 88/423; A47B 88/427; A47B 19/00; A47B 31/00; A47B 2031/002; A47B 2031/003; A47B 2031/008; A47B 63/00; A47B 61/02; A47F 1/00; A47F 1/04; A47F 1/12; A47F 3/00; A47F 3/02; A47F

(Continued)

(56) **References Cited**

U.S. PATENT DOCUMENTS

3,028,207 A \* 4/1962 Darnell ..... A47B 87/02  
312/111  
D507,897 S \* 8/2005 Juneau ..... D6/663  
D518,708 S \* 4/2006 Ohayon ..... D3/298

(Continued)

OTHER PUBLICATIONS

Sterilite Stacking Drawer, www.sterilite.com [online]. Published on or before Jul. 31, 2020, [retrieved on Jul. 31, 2020]. Retrieved from the Internet: <URL:https://www.sterilite.com/SelectProduct.html?id=631&ProductCategory=185&section=1> (Year: 2020).\*

*Primary Examiner* — Karen E Kearney

*Assistant Examiner* — Adam C Mager

(74) *Attorney, Agent, or Firm* — Christopher Mayle; Thomas E. LaGrandeur; Bold IP, PLLC

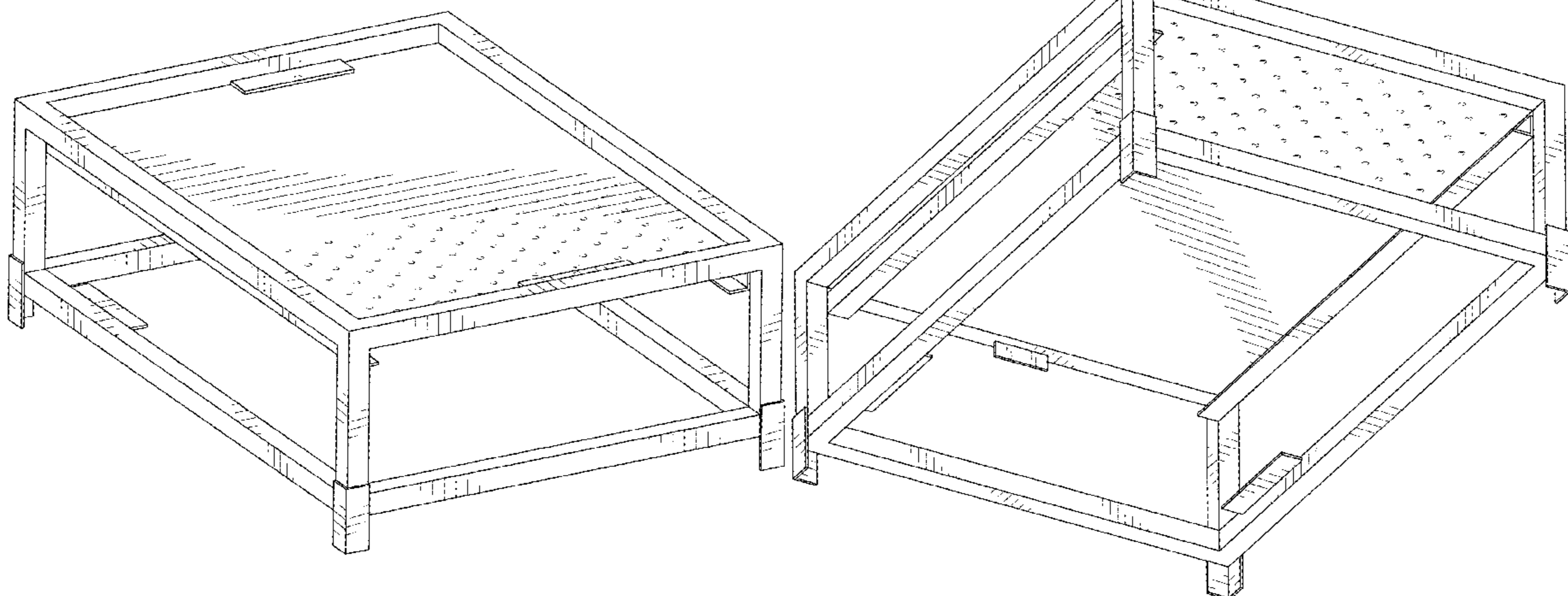
(57) **CLAIM**

The ornamental design for a rack, as shown and described.

**DESCRIPTION**

FIG. 1 is a top perspective view of a rack, showing the rack in use, in accordance with the present invention; FIG. 2 is a top perspective view thereof; FIG. 3 is a bottom perspective view thereof; FIG. 4 is a rear view thereof; FIG. 5 is a front view thereof; FIG. 6 is a left side view thereof; FIG. 7 is a right side view thereof; FIG. 8 is a bottom side view thereof; and, FIG. 9 is a top side view thereof. The broken lines are to disclose portions of the rack and related environment, which form no part of the claimed design.

**1 Claim, 7 Drawing Sheets**



(58) **Field of Classification Search**

CPC ..... 3/0439; A47F 5/00; A47F 5/00; A47F  
5/0018; A47F 5/0043; A47F 10/02

See application file for complete search history.

(56) **References Cited**

U.S. PATENT DOCUMENTS

D583,172	S	*	12/2008	Cassel	.....	D3/297
D597,341	S	*	8/2009	Stein	.....	D3/297
D599,589	S	*	9/2009	Cassel	.....	D3/297
D641,935	S	*	7/2011	Sullivan	.....	D30/108
D665,230	S	*	8/2012	Snider	.....	D7/600.1
D670,111	S	*	11/2012	McNamara	.....	D6/705
D690,963	S	*	10/2013	Stukenberg	.....	D6/663
D708,875	S	*	7/2014	McNamara	.....	D6/705
D785,328	S	*	5/2017	Yamamoto	.....	D3/297
D785,329	S	*	5/2017	Yamamoto	.....	D3/297

\* cited by examiner

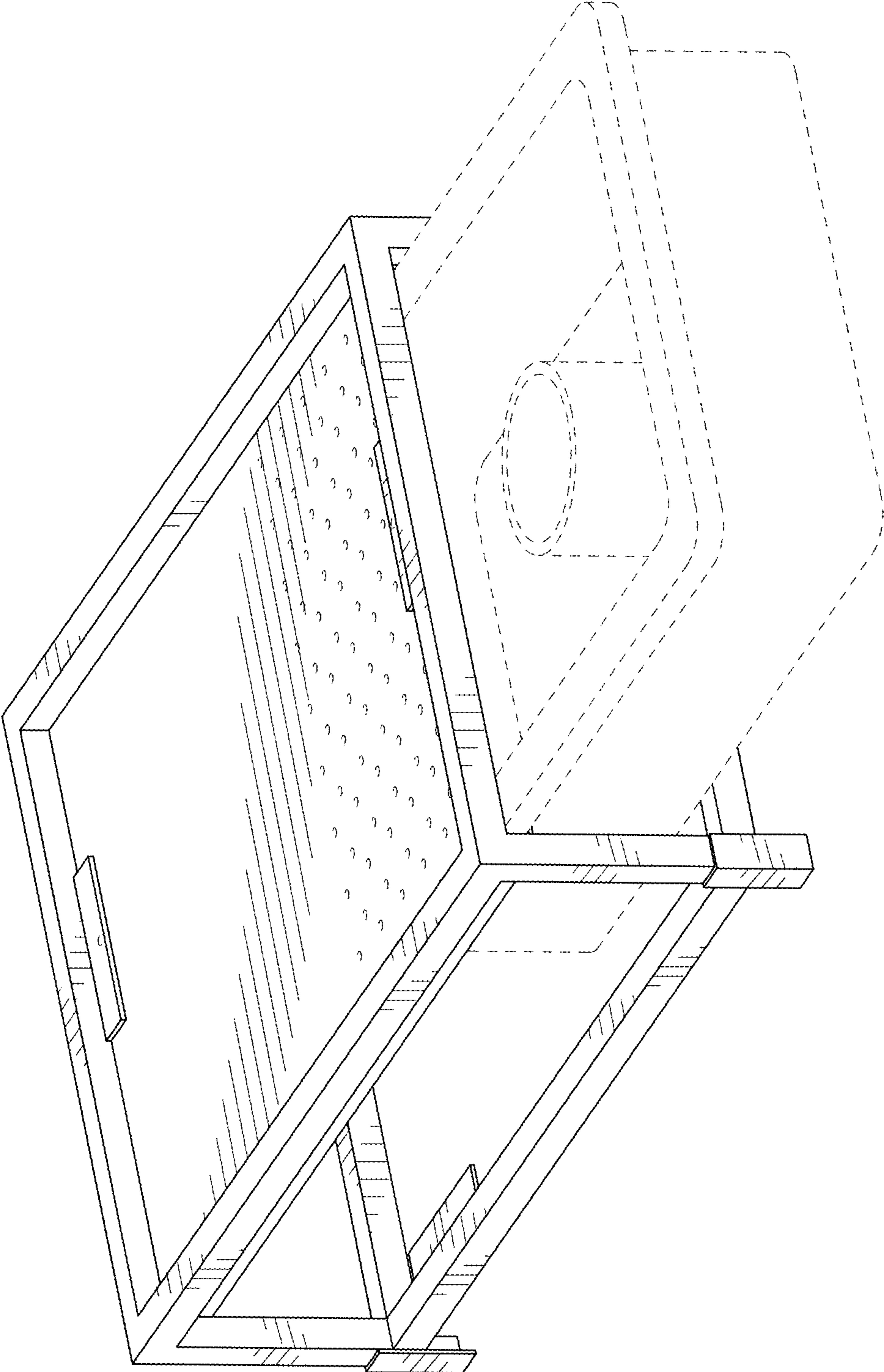


FIG. 1

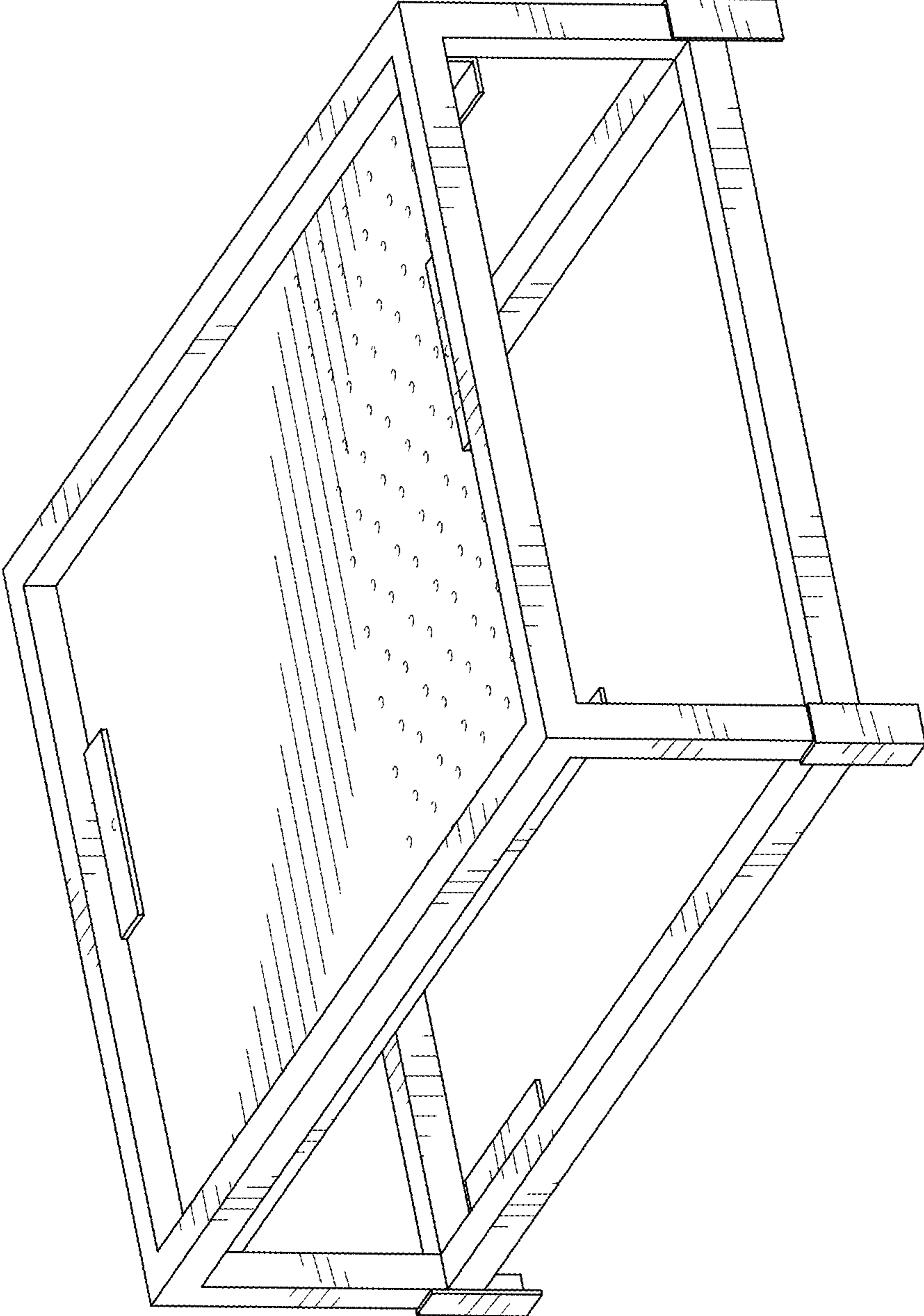


FIG. 2

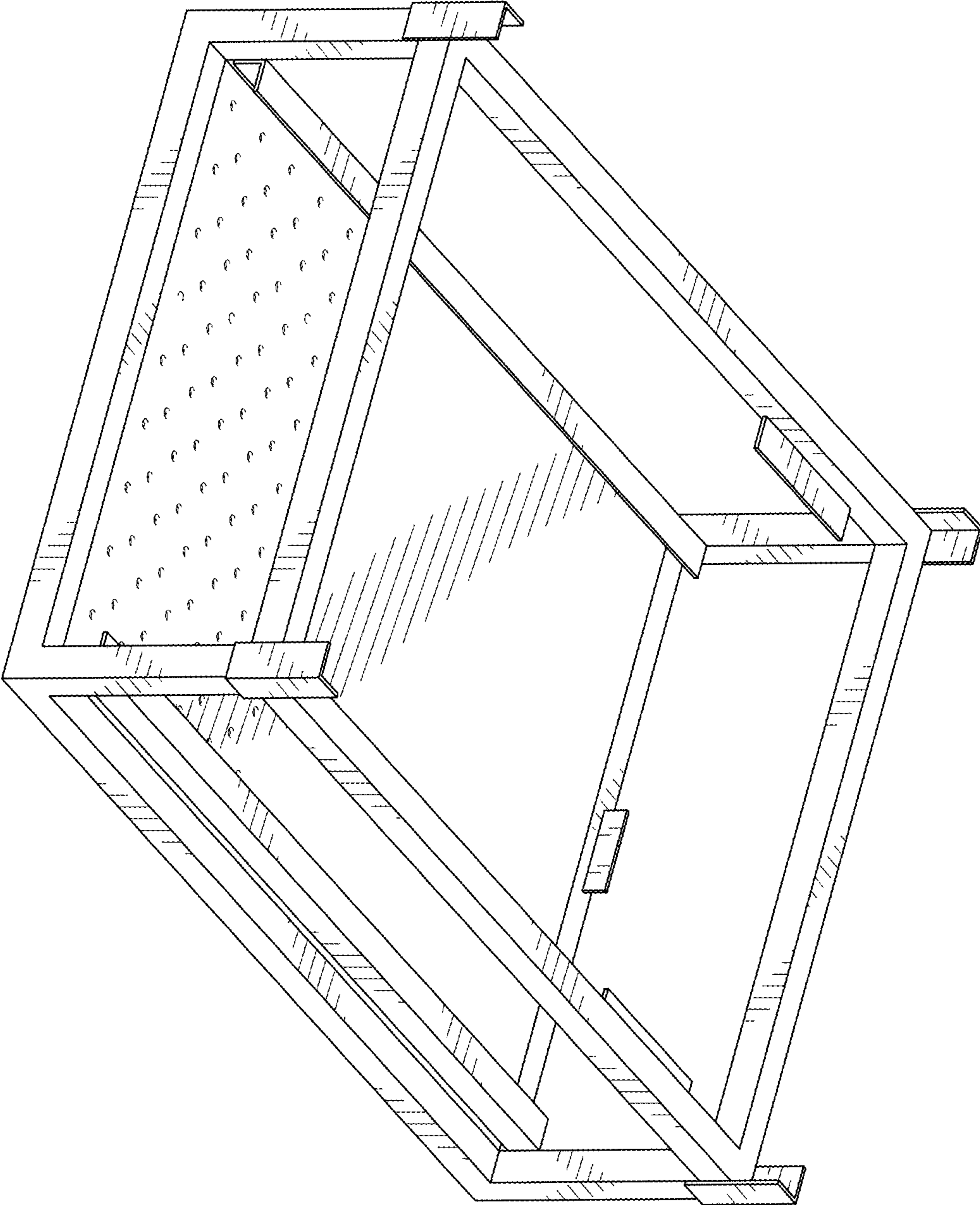


FIG. 3

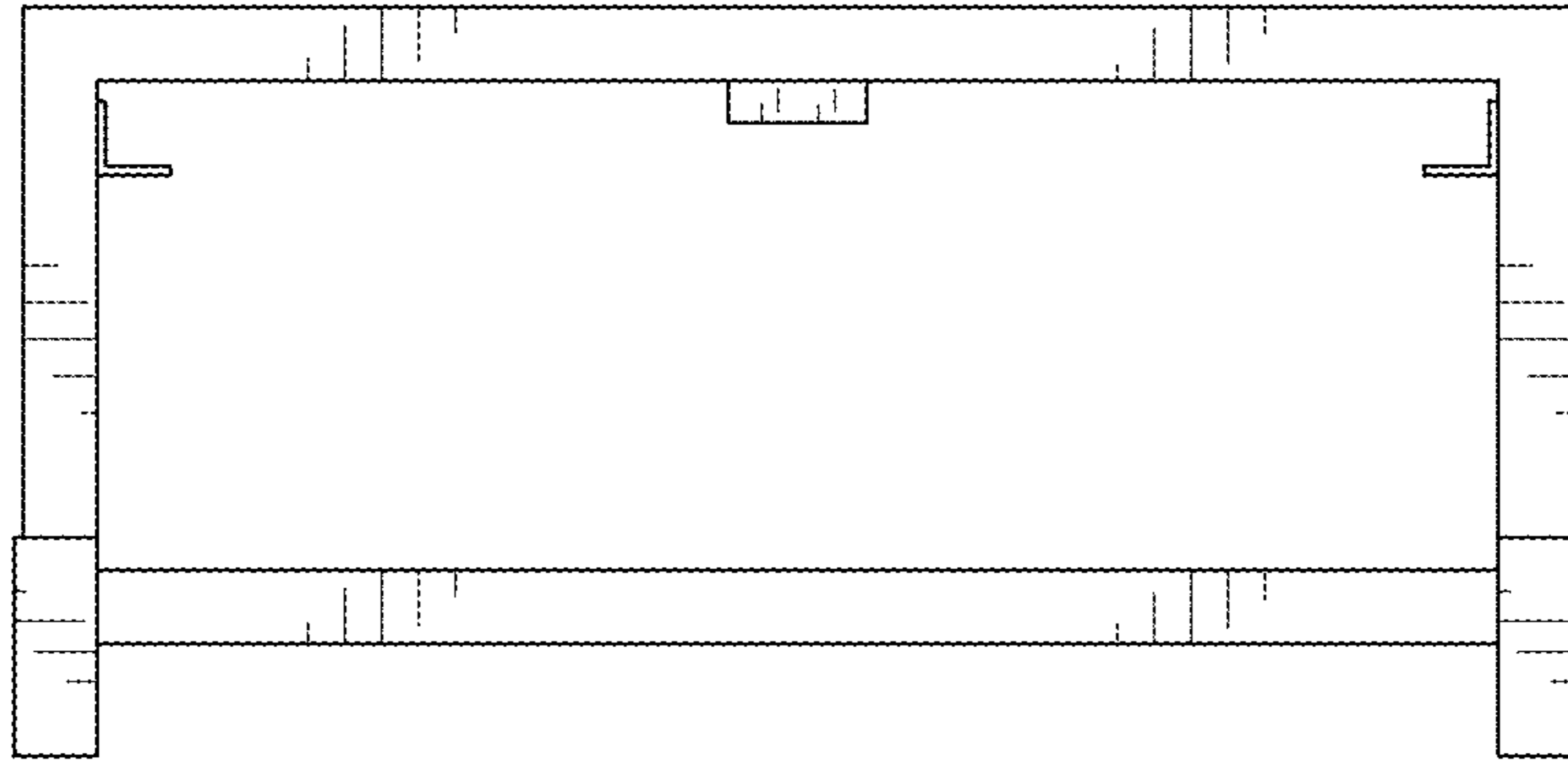


FIG. 4

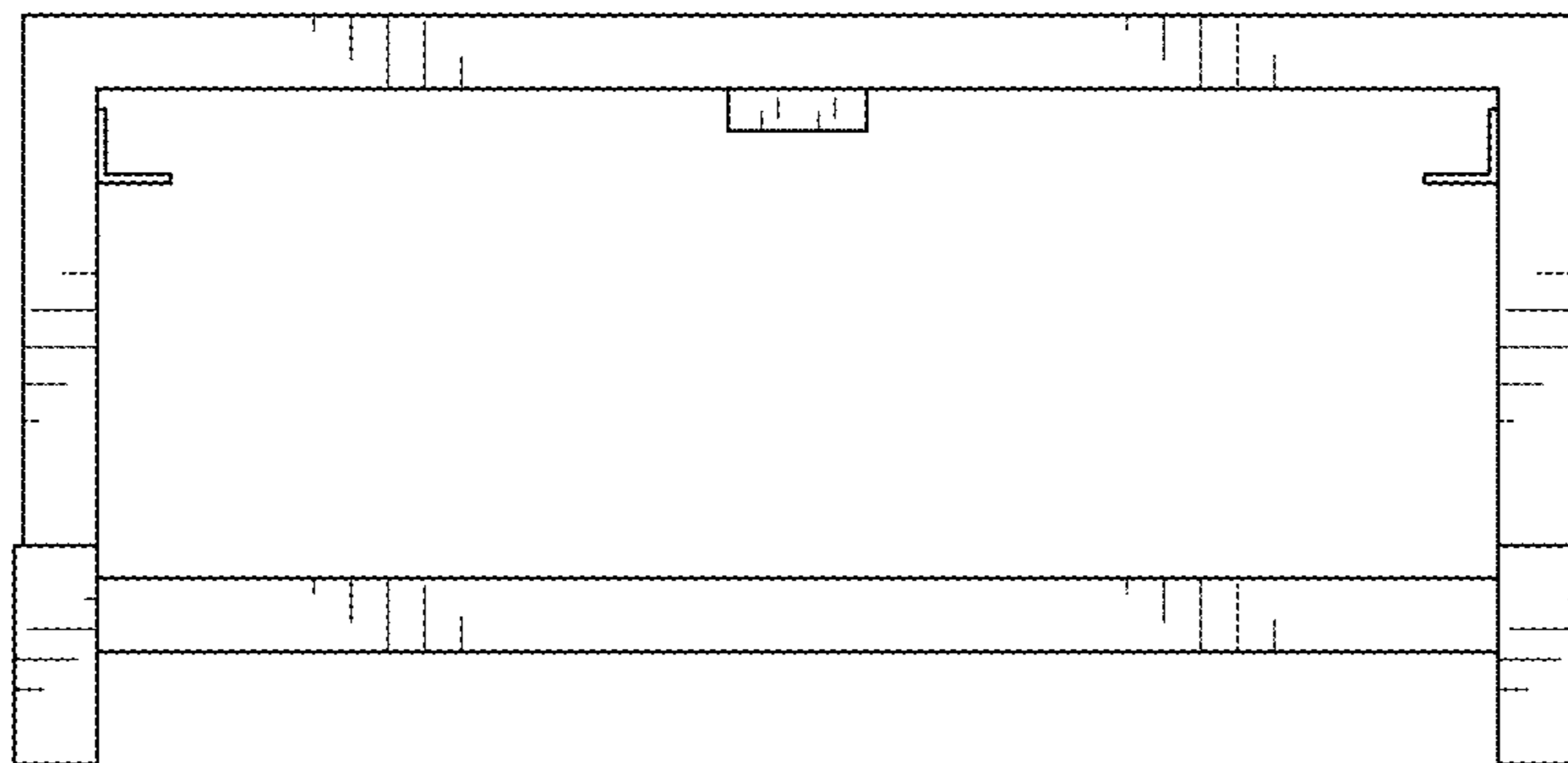


FIG. 5

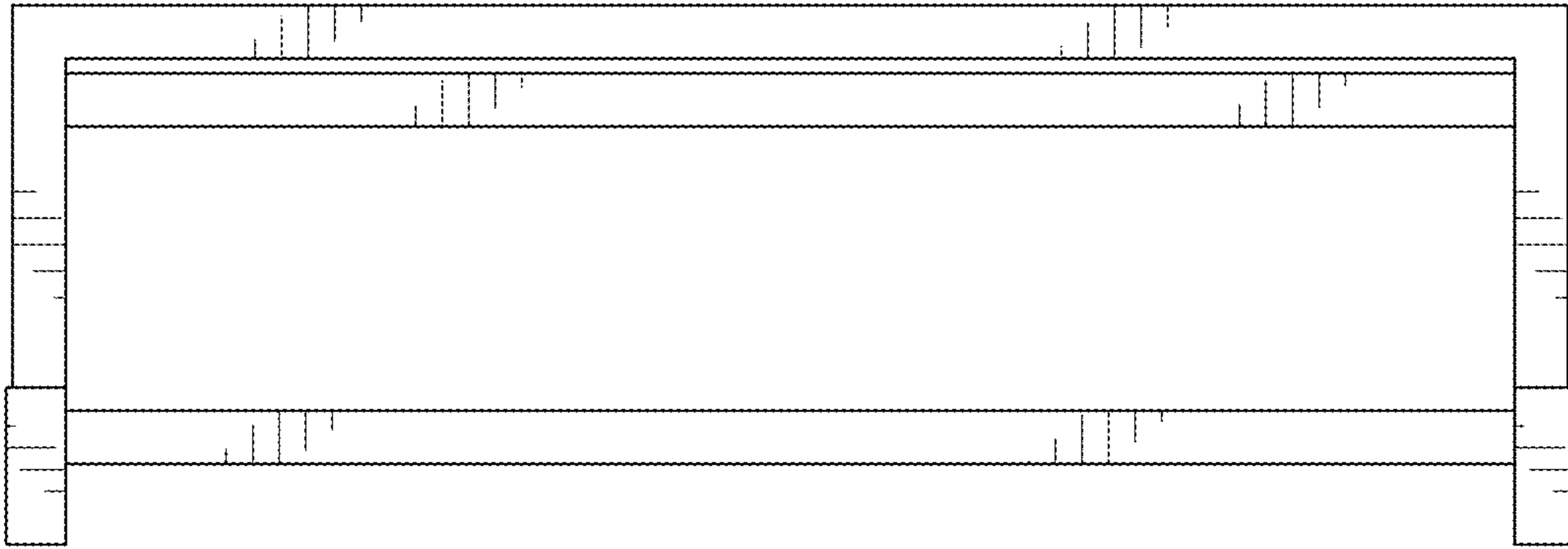


FIG. 6

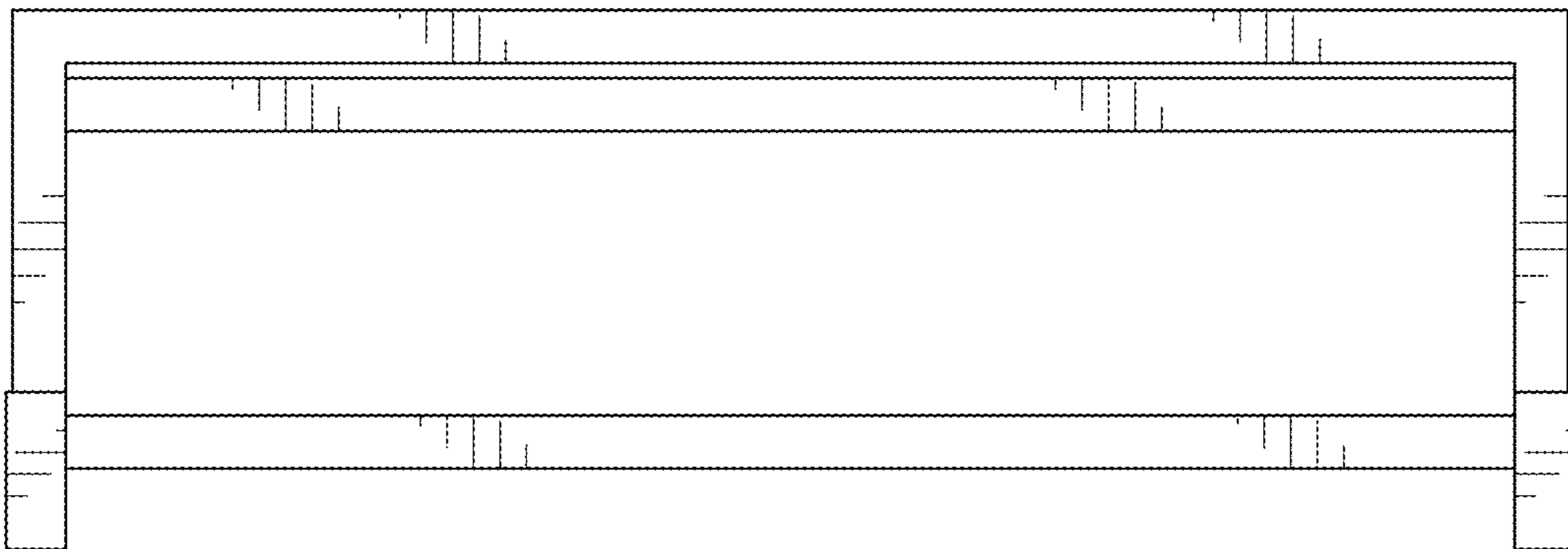


FIG. 7

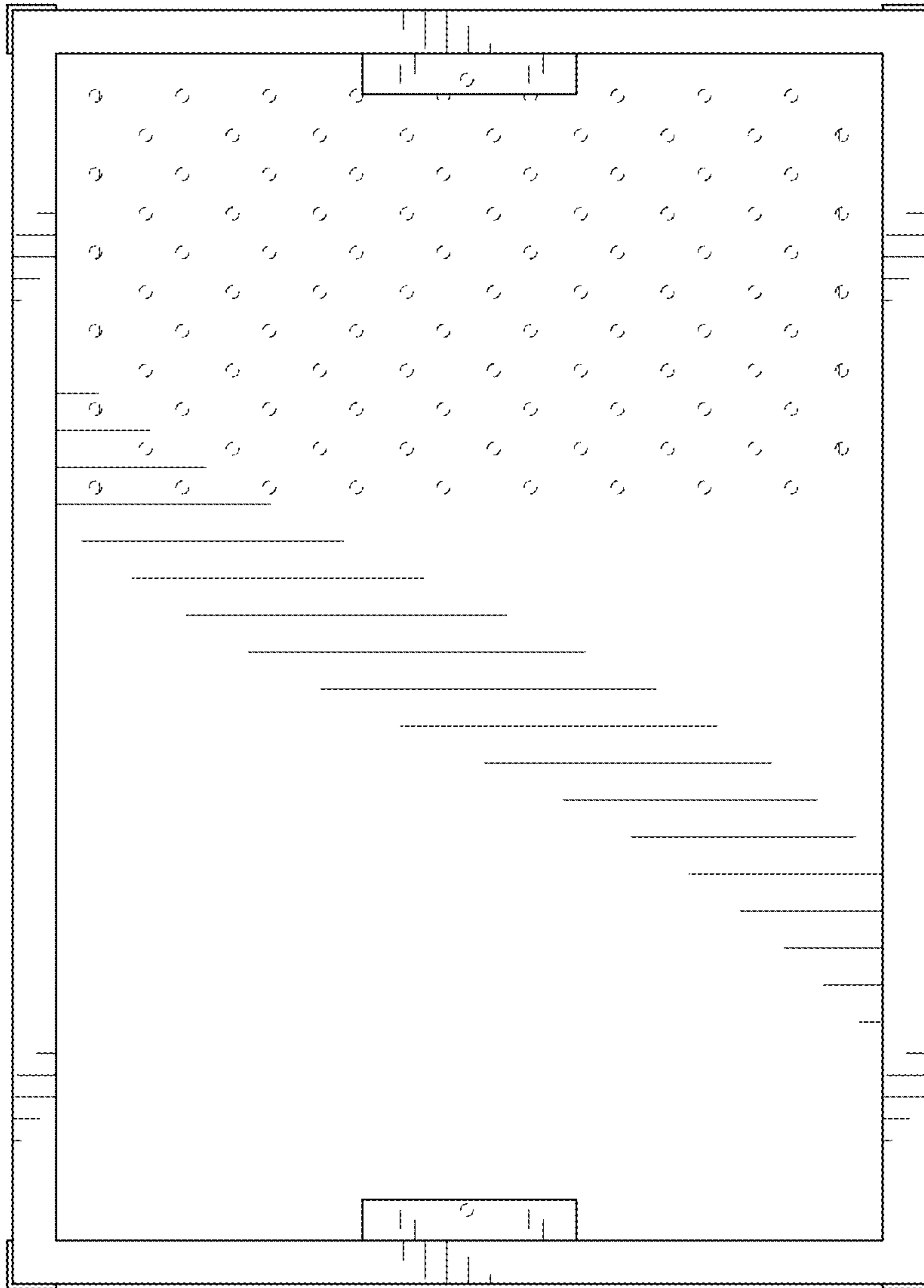


FIG. 8



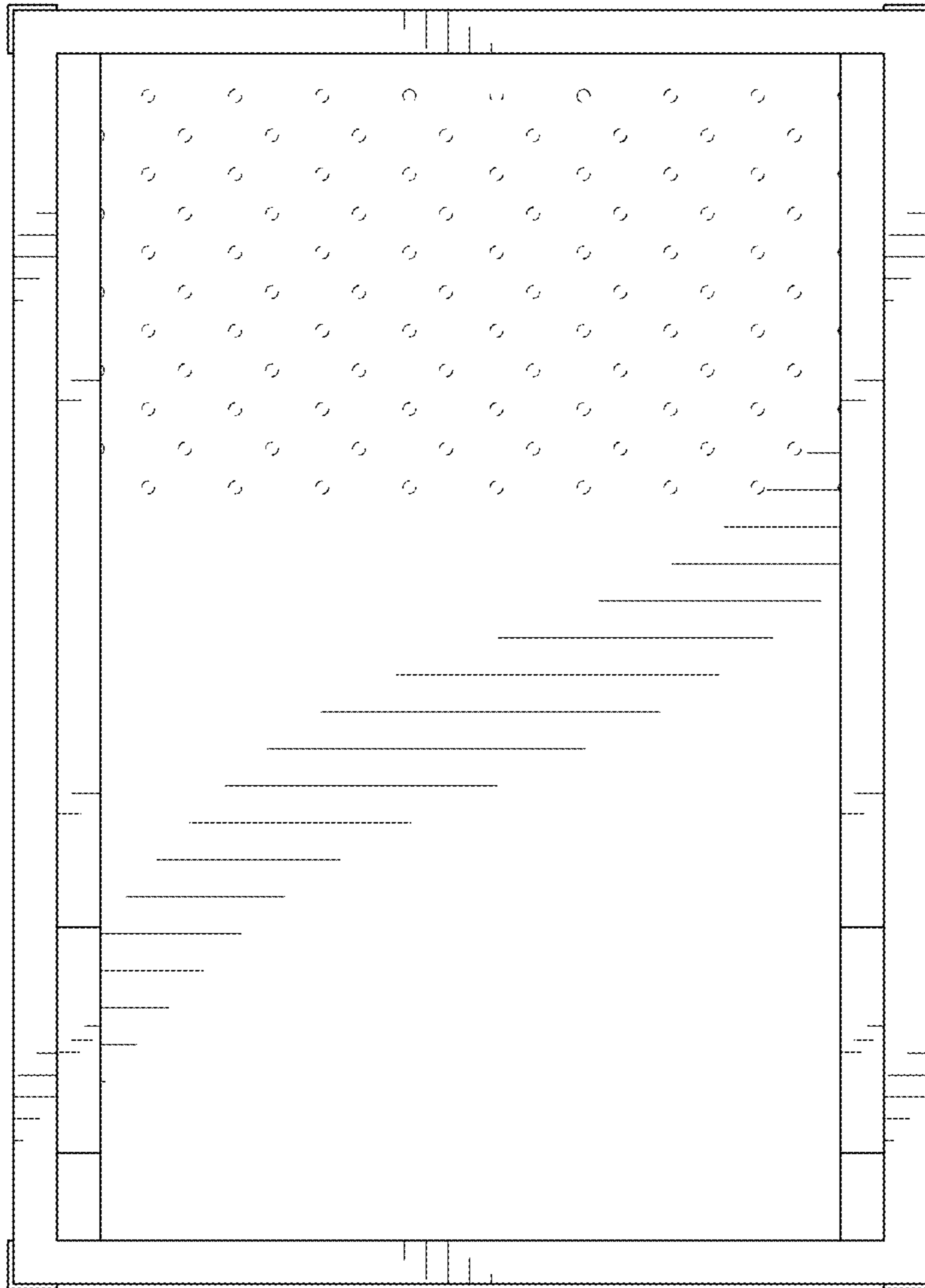


FIG. 9