



US00D903388S

(12) **United States Design Patent** (10) **Patent No.:** **US D903,388 S**
Shahzad et al. (45) **Date of Patent:** **** Dec. 1, 2020**

(54) **CHILD TABLE**

(71) Applicants: **Abdullah Shahzad**, Aurora, IL (US);
Jesse Hahne, Elk River, MN (US);
Marc McCauley, Elk River, MN (US);
Mike Store, Savage, MN (US)

(72) Inventors: **Abdullah Shahzad**, Aurora, IL (US);
Jesse Hahne, Elk River, MN (US);
Marc McCauley, Elk River, MN (US);
Mike Store, Savage, MN (US)

(73) Assignee: **Norix Group, Inc.**, West Chicago, IL (US)

(**) Term: **15 Years**

(21) Appl. No.: **29/676,652**

(22) Filed: **Jan. 13, 2019**

(51) **LOC (12) Cl.** **06-03**

(52) **U.S. Cl.**
USPC **D6/688.26**

(58) **Field of Classification Search**
USPC D6/685, 686, 688, 688.24, 688.26,
D6/688.27, 697, 697.1, 697.2; D21/522
CPC A47B 7/00; A47B 13/00; A47B 13/02;
A47B 13/04; A47B 13/06; A47B 13/08;
A47B 13/10; A47B 13/12; A47B 19/00;
A47B 21/00; A47B 2200/0001; A47B
2200/0011; A47B 2200/002; A47D 3/00

See application file for complete search history.

(56) **References Cited**

U.S. PATENT DOCUMENTS

D75,727 S *	7/1928	Heyman	D6/688.17
D91,278 S *	1/1934	Mochi	D6/688.24
D194,850 S *	3/1963	McCord	D6/663
D234,655 S *	4/1975	Stiene	A47C 13/00
			D6/697.1
D326,326 S *	5/1992	Kochsiek	D24/183
D372,148 S *	7/1996	Yofan	D6/708.11
2019/0350370 A1 *	11/2019	Wilson	A47C 13/00

* cited by examiner

Primary Examiner — Mary Ann Calabrese

(74) *Attorney, Agent, or Firm* — James Palmatier;
Applied Patent Services, PC

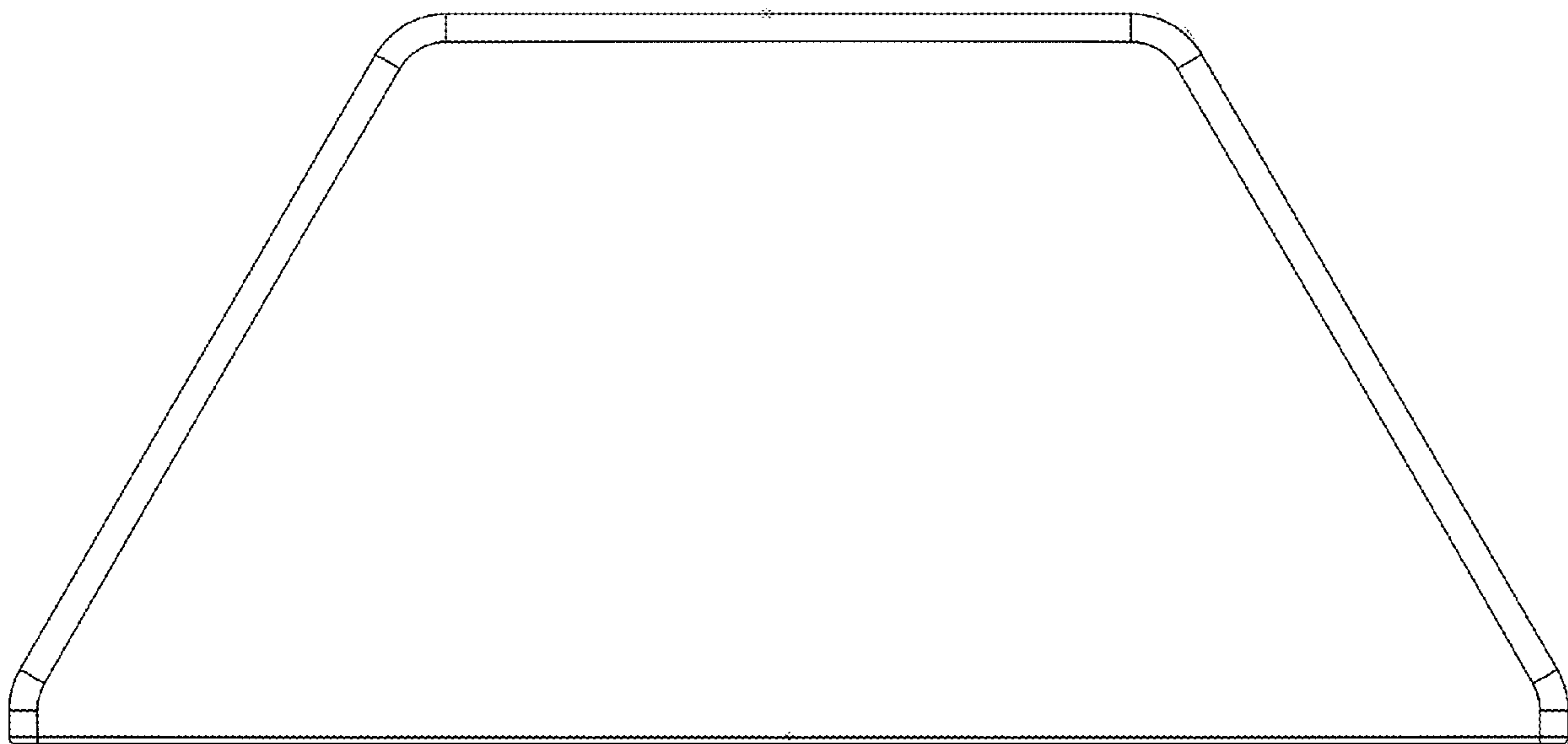
(57) **CLAIM**

We claim the ornamental design for a child table, as shown and described.

DESCRIPTION

FIG. 1 is a top plan view for a child table showing our new design.
FIG. 2 is a back elevation view of the child table of FIG. 1.
FIG. 3 is a front elevation view of the child table of FIG. 1.
FIG. 4 is a back right side perspective view of the child table of FIG. 1; and,
FIG. 5 is a bottom front perspective view of the child table of FIG. 1.

1 Claim, 2 Drawing Sheets



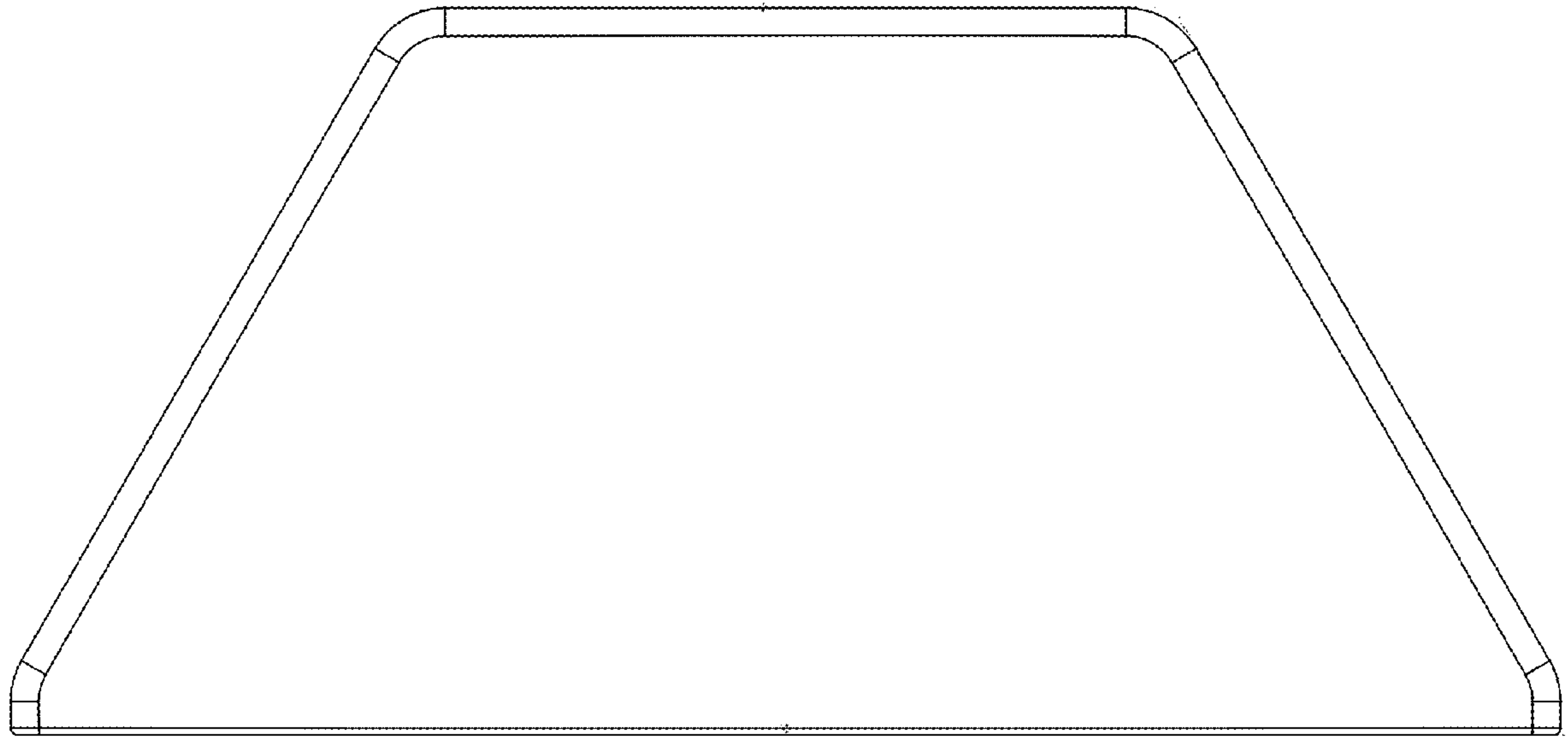


Fig. 1

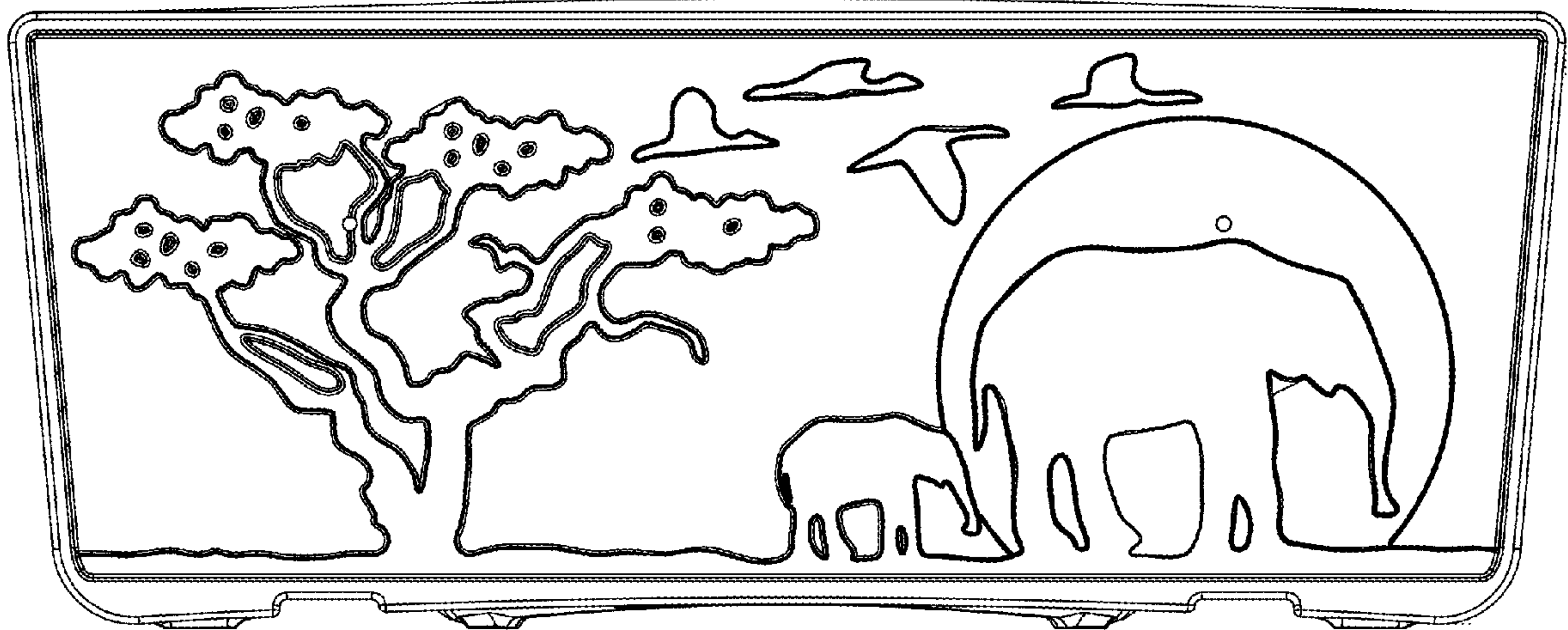


Fig. 2

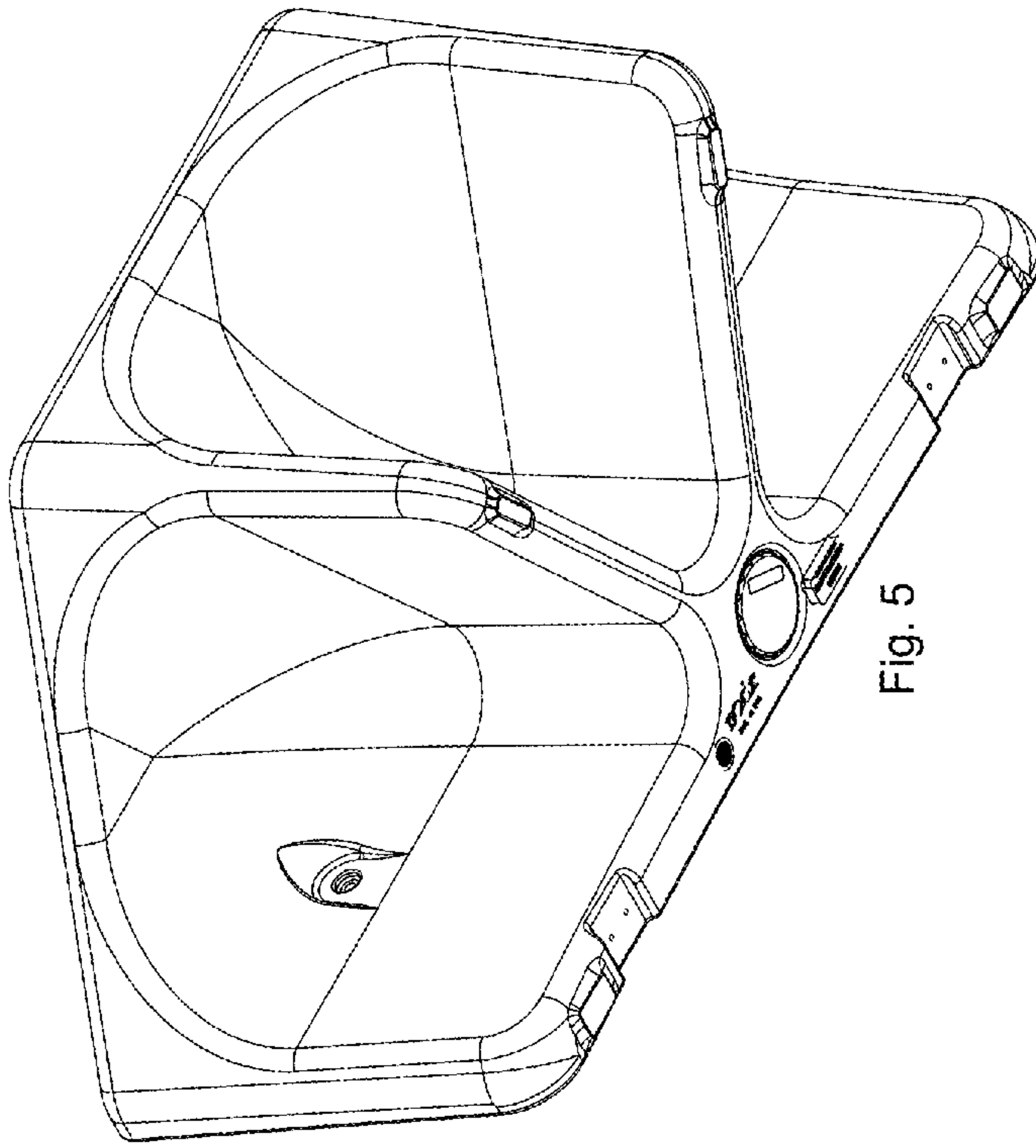


Fig. 5



Fig. 4

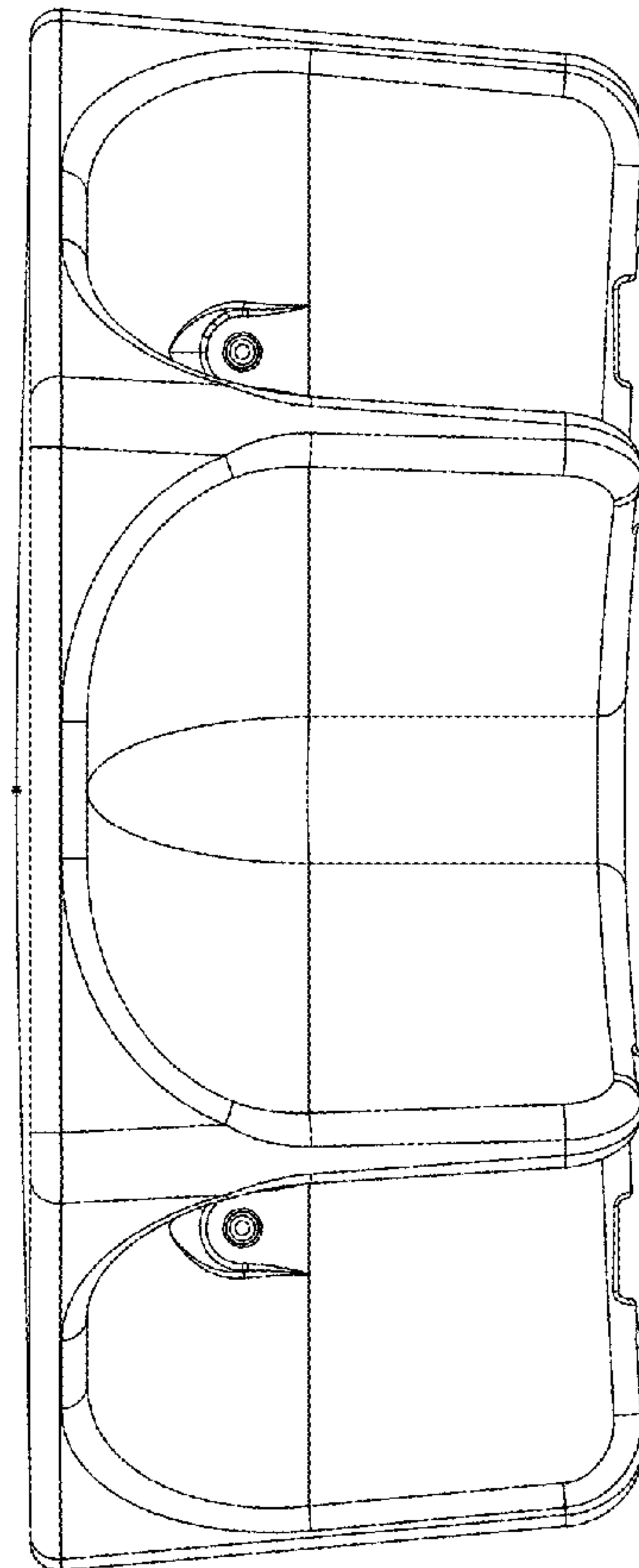


Fig. 3