



US00D903386S

(12) **United States Design Patent**
Smrstick

(10) **Patent No.:** **US D903,386 S**

(45) **Date of Patent:** **** Dec. 1, 2020**

(54) **SHELVING**

(71) Applicant: **Blu Dot Design & Manufacturing, Inc.**, Minneapolis, MN (US)

(72) Inventor: **Scott Smrstick**, Minneapolis, MN (US)

(73) Assignee: **Blu Dot Design & Manufacturing, Inc.**, Minneapolis, MN (US)

(**) Term: **15 Years**

(21) Appl. No.: **29/683,218**

(22) Filed: **Mar. 12, 2019**

(51) **LOC (12) Cl.** **20-02**

(52) **U.S. Cl.**
USPC **D6/675.1**

(58) **Field of Classification Search**
USPC D6/300, 310, 320, 329, 512, 513, 514, D6/515, 545, 567, 574, 641, 642, 661, D6/662.1, 663-691, 694, 702, 705, 705.2, D6/705.4, 705.5, 705.6, 705.7, 706, D6/708.16, 712, 719; D7/300, 301, 302, D7/303, 304, 305, 306, 307, 308, 309, D7/310, 311, 312, 313, 314, 315, 316, D7/317, 318, 319, 320, 321, 322, 396.1, D7/552.2, 600, 600.1, 600.4, 701; D8/71, D8/354, 363, 373, 374, 377, 381, 394; D3/201, 297, 304, 306
CPC A47B 11/00; A47B 9/00; A47B 51/00; A47B 57/00; A47B 57/08; A47B 57/10; A47B 57/16; A47B 57/30; A47B 45/00; A47B 47/00; A47B 47/021; A47B 47/025; A47B 47/027; A47B 87/00; A47B 87/008; A47B 87/02; A47B 87/0207; A47B 43/00; A47B 43/03; A47B 43/04; A47B 88/00; A47B 88/40; A47B 88/423; A47B 88/427; A47B 19/00; A47B 31/00; A47B 2031/002; A47B 2031/003; A47B 2031/008; A47B 63/00; A47B 61/02; A47F 1/00; A47F 1/04; A47F 1/12; A47F 3/00; A47F 3/02; A47F

(Continued)

(56) **References Cited**

U.S. PATENT DOCUMENTS

D47,302 S * 5/1915 Jewett D6/672
D217,822 S * 6/1970 Frydman D6/683.1

(Continued)

OTHER PUBLICATIONS

Modular Shelving Units _ Blu Dot, www.bludot.com [online].
Published on or before Jul. 30, 2020, [retrieved on Jul. 30, 2020].
Retrieved from the Internet: <URL:https://www.bludot.com/happy-day-shelving-4-shelf-white-oak-grey-green.html> (Year: 2020).*

(Continued)

Primary Examiner — Karen E Kearney

Assistant Examiner — Adam C Mager

(74) *Attorney, Agent, or Firm* — Fredrikson & Byron, P.A.

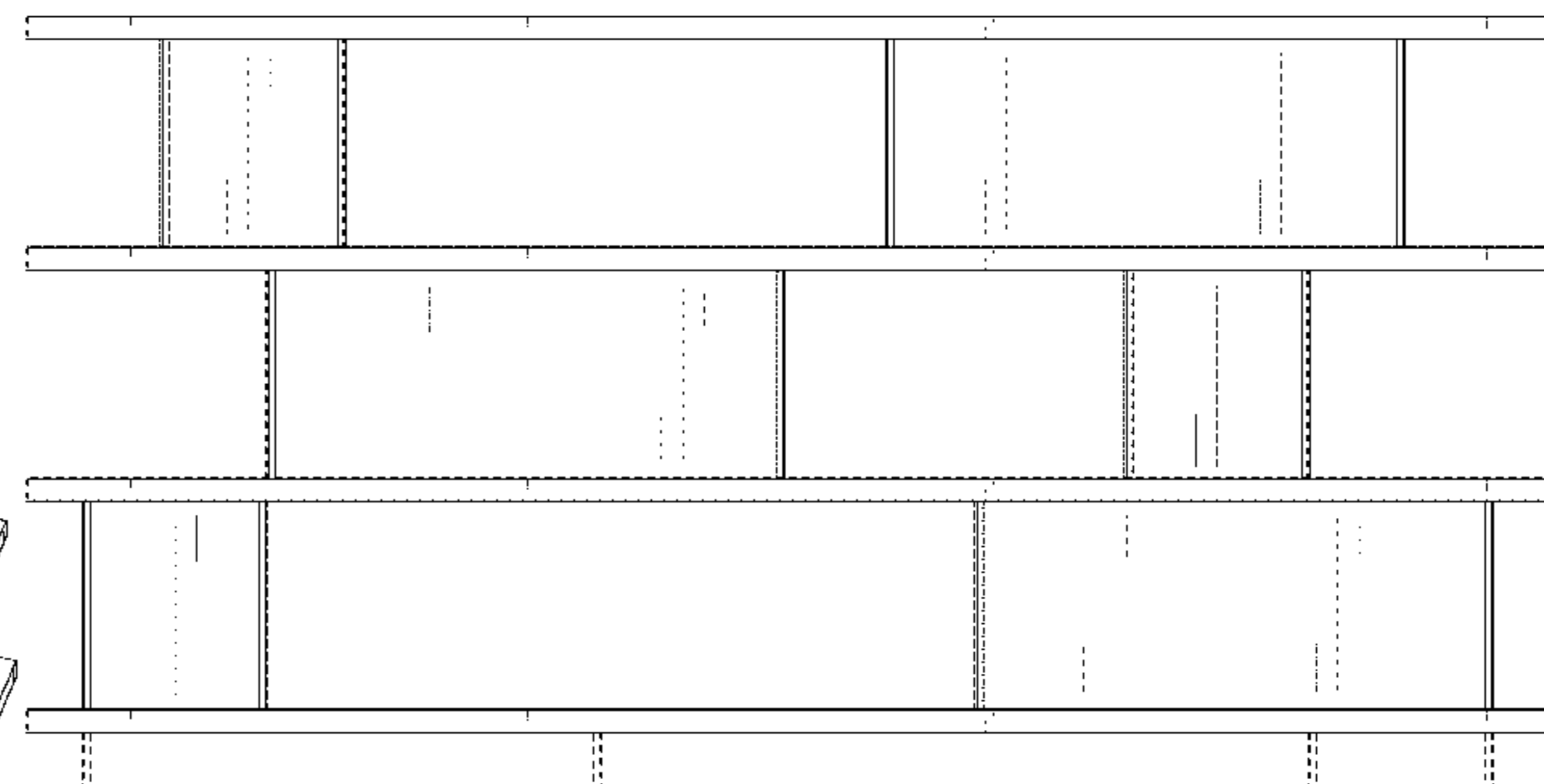
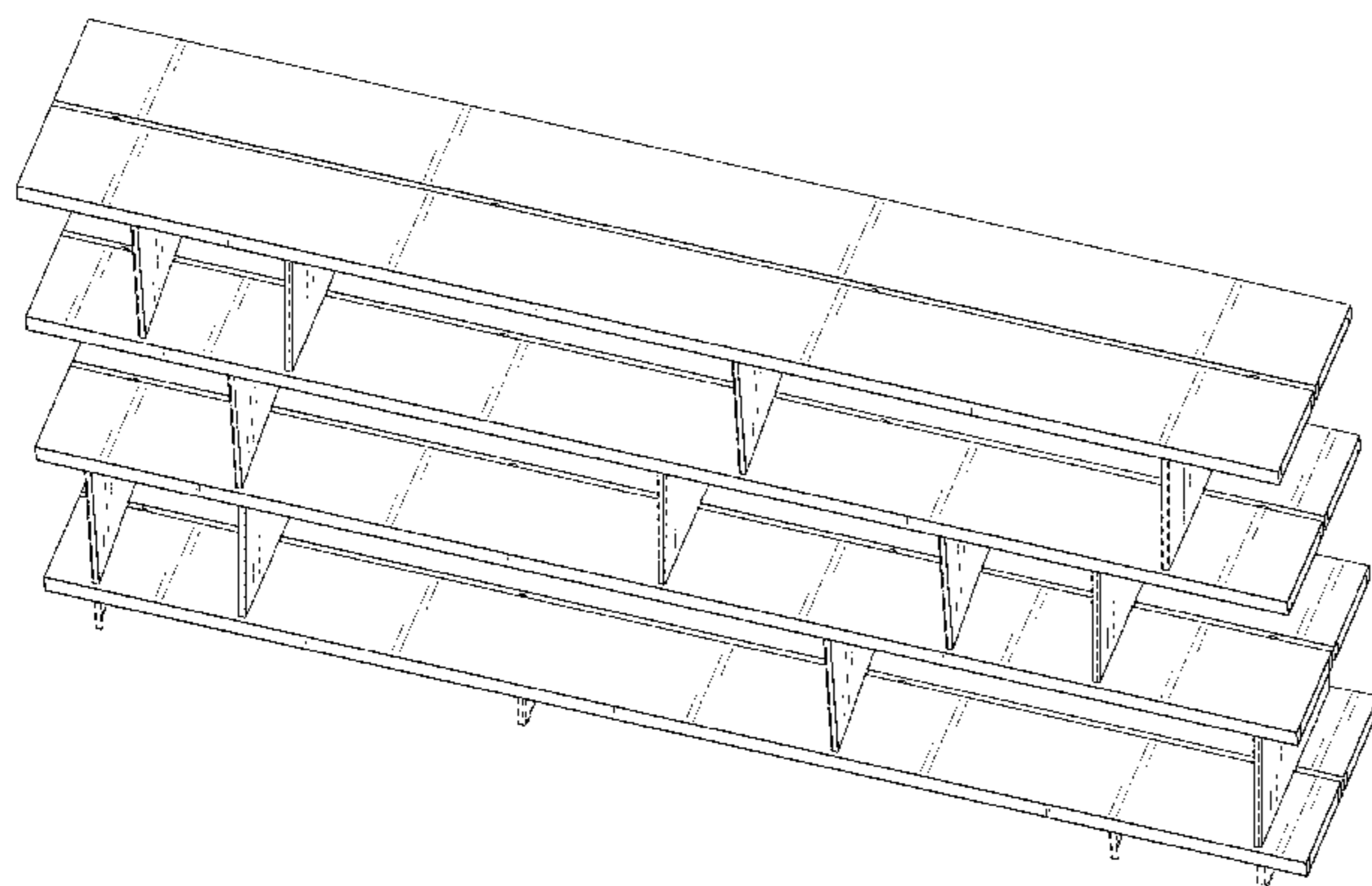
(57) **CLAIM**

Applicant claims the ornamental design for shelving, as shown and described.

DESCRIPTION

FIG. 1 is a front upper perspective view of shelving of Applicant's design;
FIG. 2 is a front lower perspective view thereof;
FIG. 3 is a front elevational view thereof;
FIG. 4 is a rear elevational view thereof;
FIG. 5 is a first side elevational view thereof;
FIG. 6 is a second side elevational view thereof, the second side elevational view being opposite the first side elevational view;
FIG. 7 is a top plan view thereof; and,
FIG. 8 is a bottom plan view thereof.
The broken lines showing structure are included for illustrating portions of the shelving and form no part of the claimed design.

1 Claim, 7 Drawing Sheets



(58) **Field of Classification Search**

CPC 3/0439; A47F 5/00; A47F 5/00; A47F 5/0018; A47F 5/0043; A47F 10/02
See application file for complete search history.

(56) **References Cited**

U.S. PATENT DOCUMENTS

D249,001	S	*	8/1978	Offredi	D6/661
D249,215	S	*	9/1978	Offredi	D6/662.1
D665,198	S	*	8/2012	Levy	D6/675.1
D819,373	S	*	6/2018	Massaud	D6/675.1
D825,230	S	*	8/2018	Massaud	D6/675
D825,231	S	*	8/2018	Massaud	D6/675.1
D825,232	S	*	8/2018	Massaud	D6/675.1
D834,357	S	*	11/2018	Massaud	D6/675.1
2014/0353271	A1	*	12/2014	Kruse	A47F 5/13 211/188

OTHER PUBLICATIONS

Modern Bookshelf—Overstock, www.overstock.com [online]. Published on or before Jul. 30, 2020, [retrieved on Jul. 30, 2020]. Retrieved from the Internet: <URL:<https://www.overstock.com/Home-Garden/Baxton-Studio-Tilson-Dark-Brown-Modern-Bookshelf/9144829/product.html>> (Year: 2020).*

Blu Dot Catalog No. 16, Designed in Minneapolis, Minnesota, published 2015, 44 pgs.

Blu Dot Catalog No. 17, Designed in Minneapolis, Minnesota, published 2015, 52 pgs.

Blu Dot Catalog No. 18, Designed in Minneapolis, Minnesota, published 2016, 51 pgs.

Blu Dot Catalog No. 19, Designed in Minneapolis, Minnesota, published 2016, 54 pgs.

Blu Dot Catalog No. 21, Cat 17F-Book A, Designed in Minneapolis, Minnesota, Applicant believes reference was published and available more than one year prior to the filing date of the instant application, 51 pgs.

Blu Dot Catalog No. 21, Cat 17F-Book B, Designed in Minneapolis, Minnesota, Applicant believes reference was published and available more than one year prior to the filing date of the instant application, 51 pgs.

Blu Dot Catalog No. 22, Cat 18S-Book B, Designed in Minneapolis, Minnesota, Applicant believes reference was published and available more than one year prior to the filing date of the instant application, 33 pgs.

Blu Dot Catalog No. 22, Cat18Sm_RGB, Designed in Minneapolis, Minnesota, Applicant believes reference was published and available more than one year prior to the filing date of the instant application, 33 pgs.

* cited by examiner

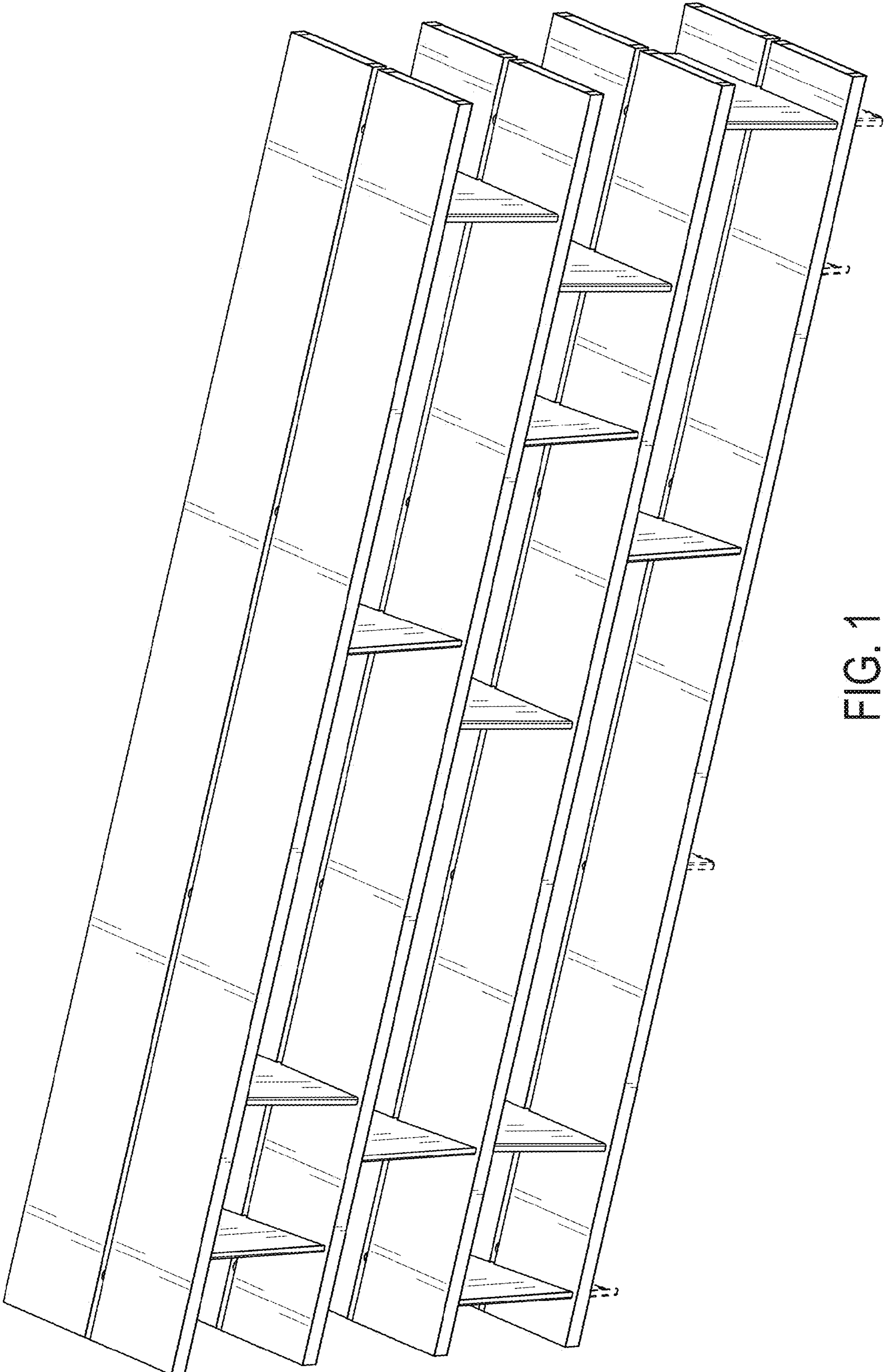


FIG. 1

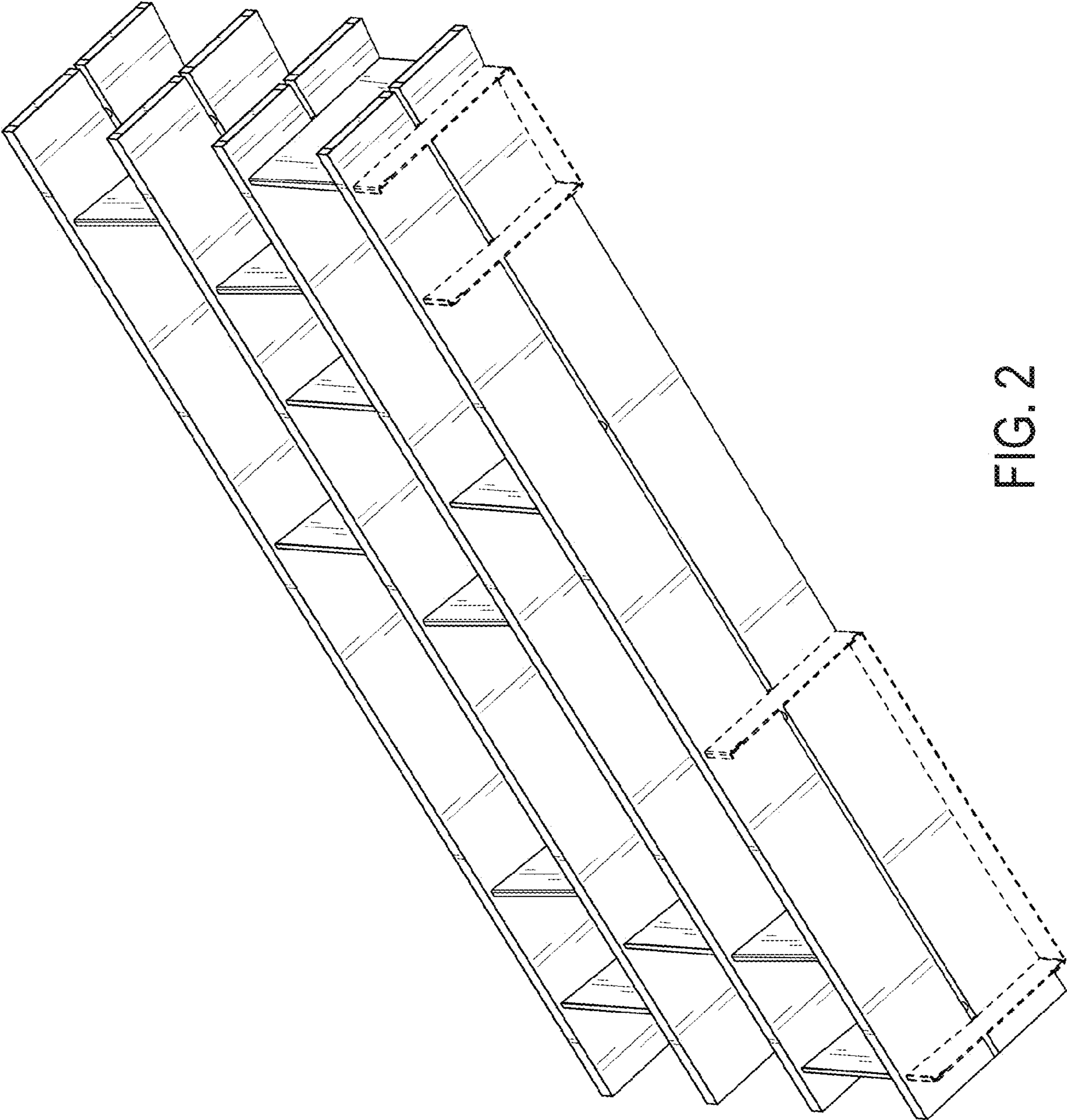


FIG. 2

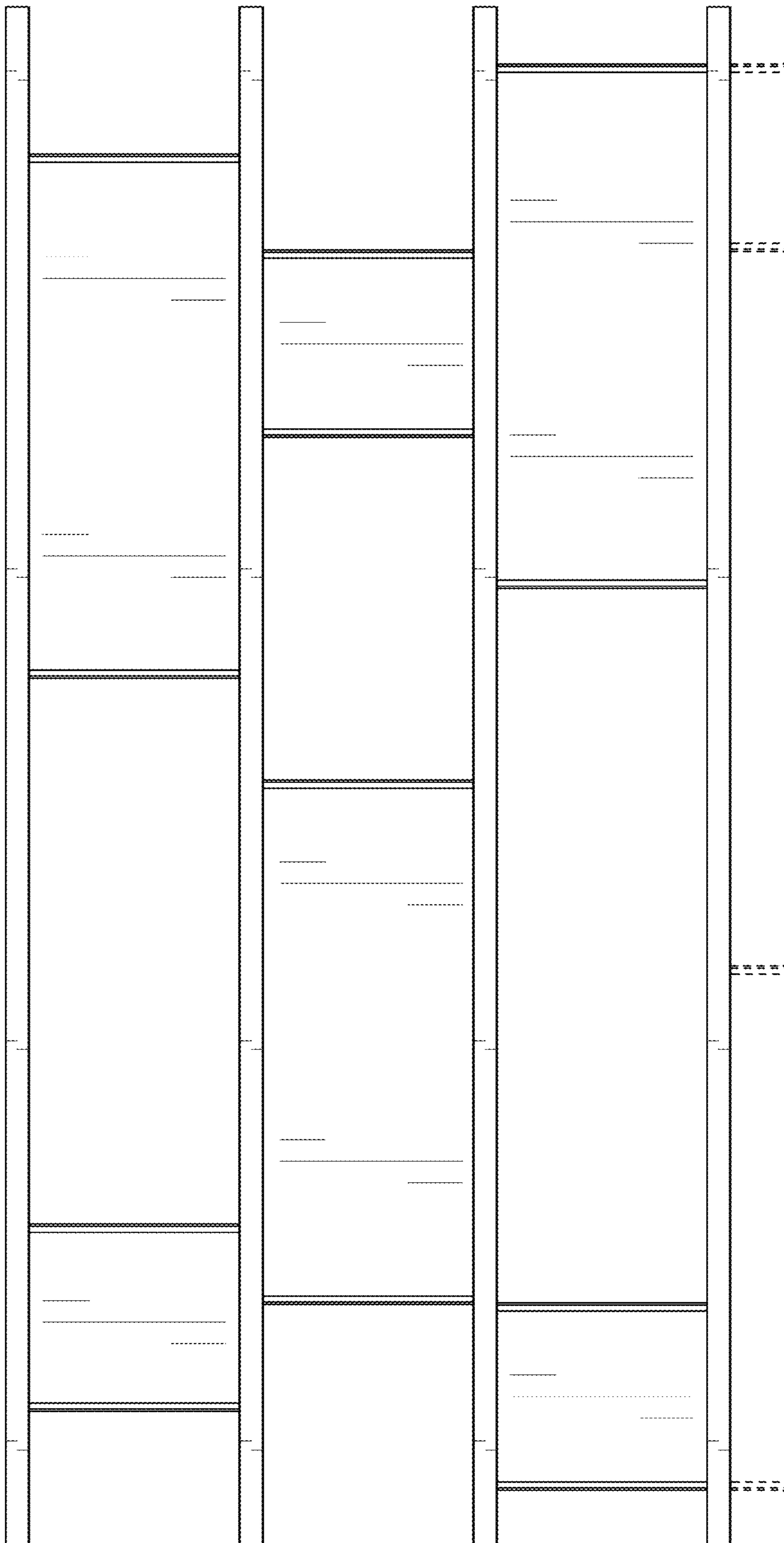


FIG. 3

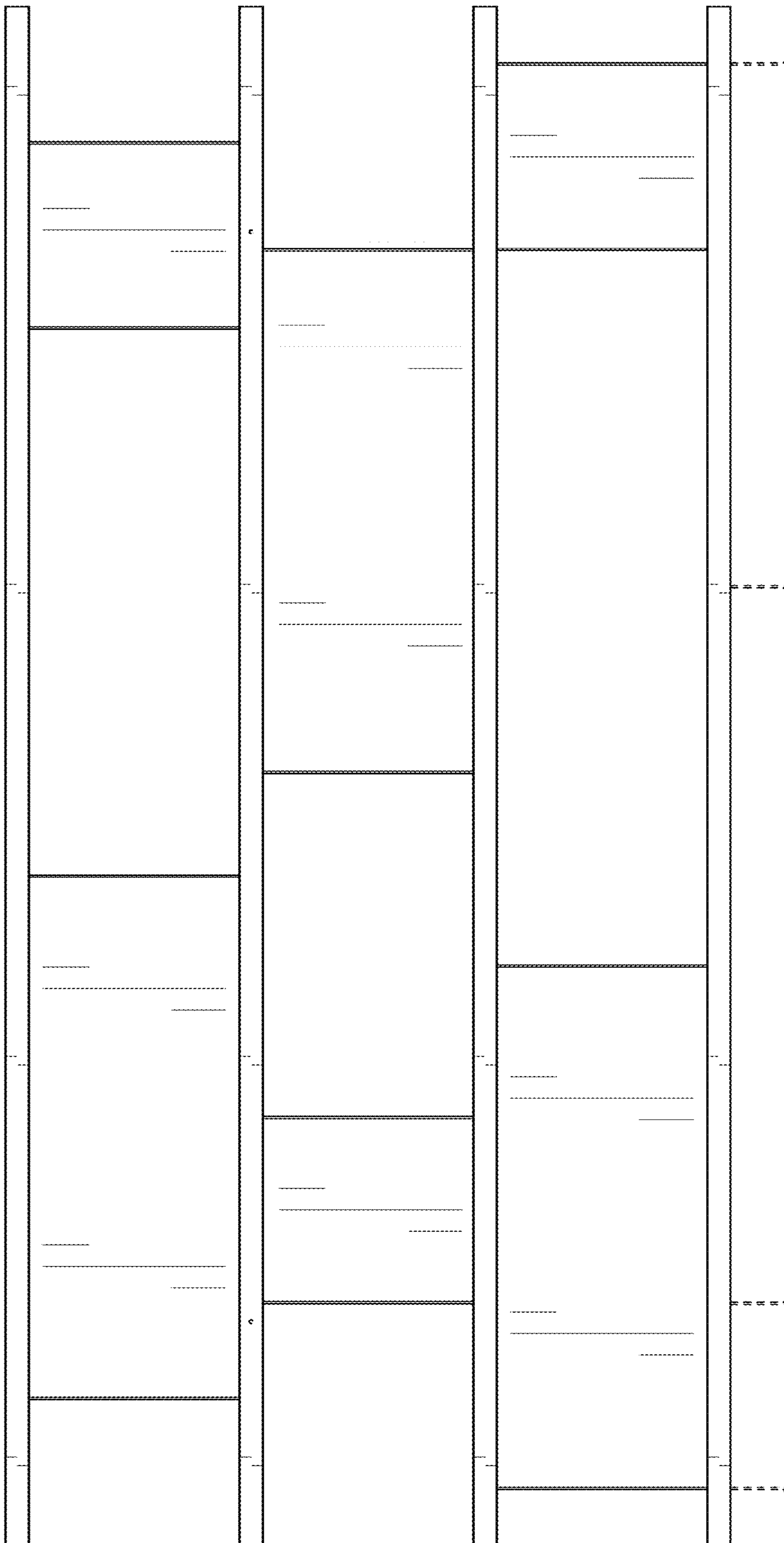


FIG. 4

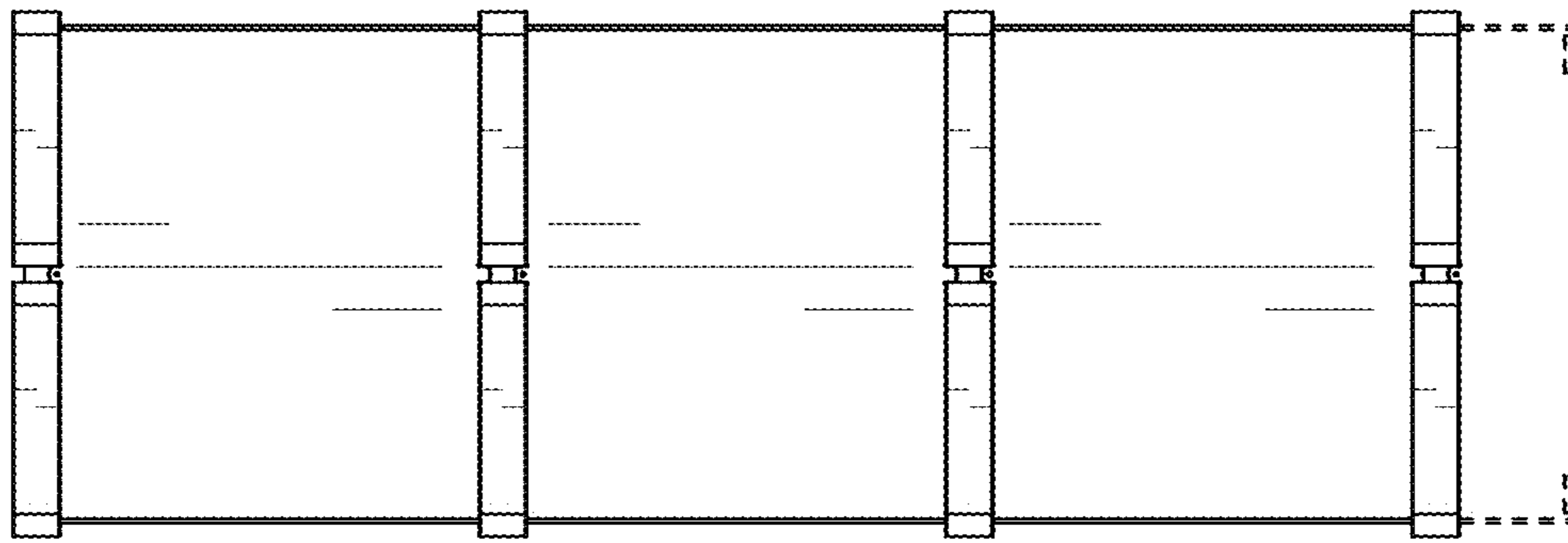


FIG. 6

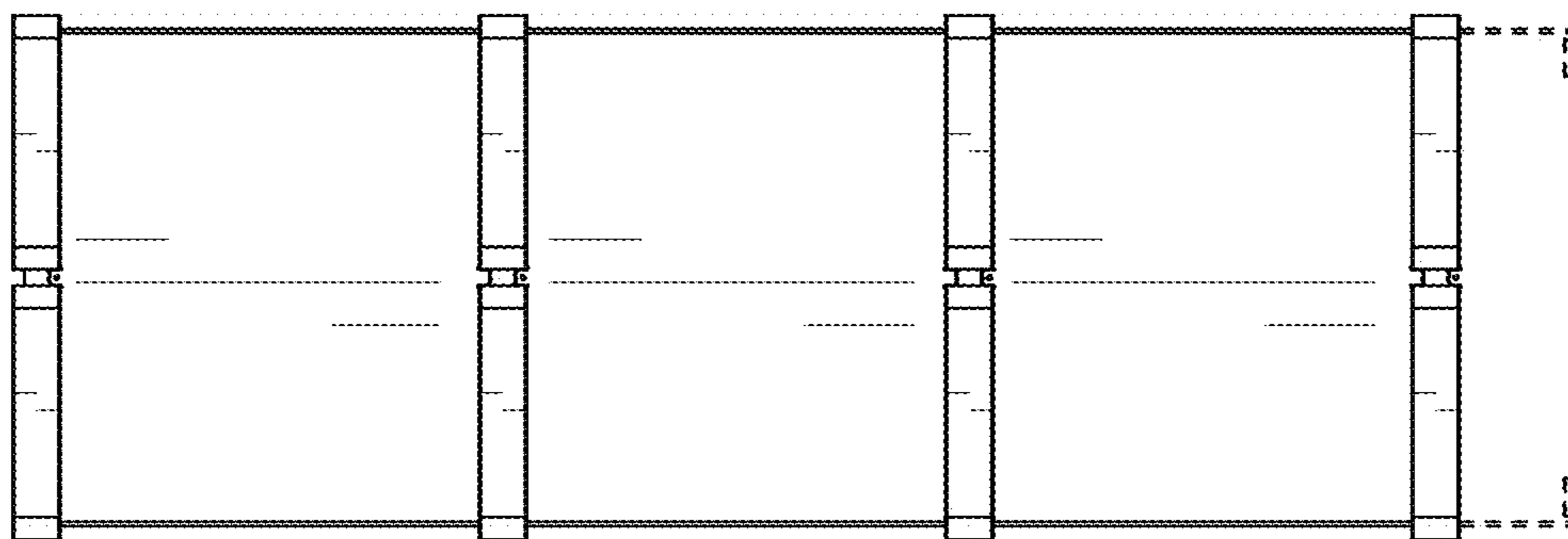


FIG. 5

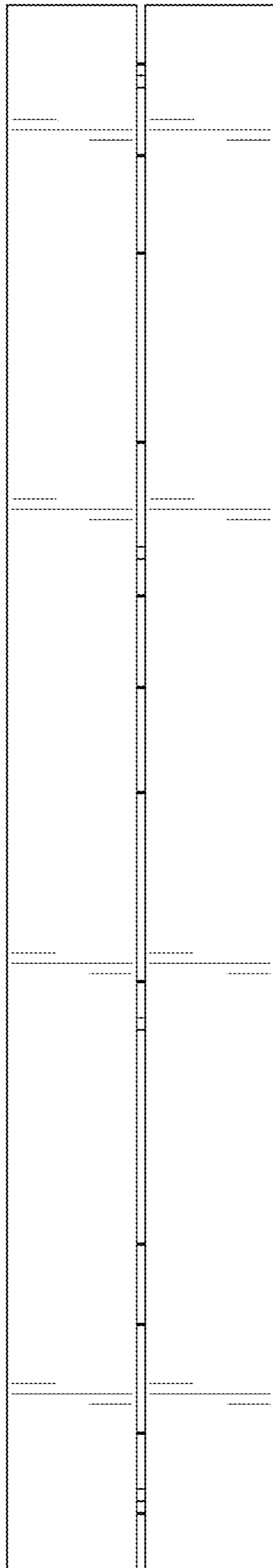


FIG. 7

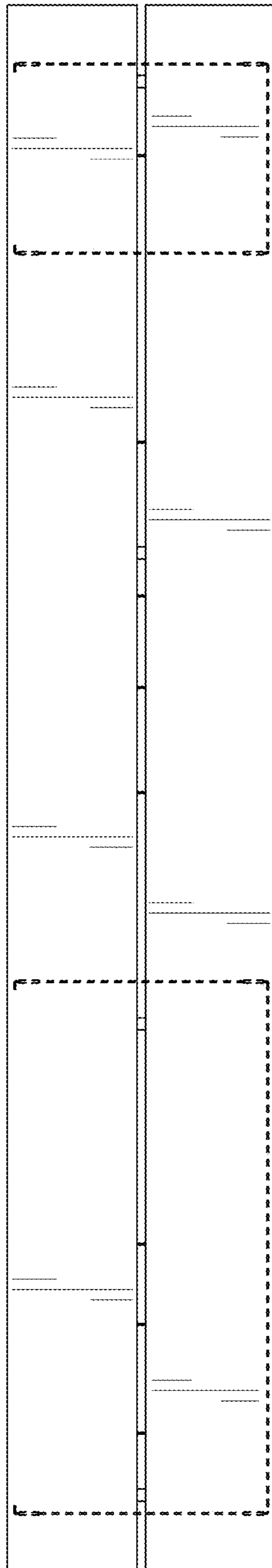


FIG. 8