



US00D903382S

(12) **United States Design Patent**
Matthai et al.

(10) **Patent No.:** **US D903,382 S**

(45) **Date of Patent:** **** Dec. 1, 2020**

(54) **CHASE**

(71) Applicant: **HERMAN MILLER, INC.**, Zeeland, MI (US)

(72) Inventors: **John Matthai**, Holland, MI (US); **Joel Ruiter**, Ada, MI (US)

(73) Assignee: **HERMAN MILLER, INC.**, Zeeland, MI (US)

(**) Term: **15 Years**

(21) Appl. No.: **29/710,203**

(22) Filed: **Oct. 21, 2019**

Related U.S. Application Data

(62) Division of application No. 29/648,707, filed on May 23, 2018, now Pat. No. Des. 868,509.

(51) **LOC (12) Cl.** **20-02**

(52) **U.S. Cl.**
USPC **D6/672**

(58) **Field of Classification Search**

USPC D6/374, 641, 656, 656.16, 672, 684, D6/688.14, 690, 691, 691.5, 694, 698, D6/709; D13/110, 139.1-139.8
CPC ... A47B 21/00; A47B 21/06; A47B 2200/008; A47B 2200/0081; A47B 83/001; H05K 7/00; H05K 7/026; H05K 7/10; H05K 5/0017

See application file for complete search history.

(56) **References Cited**

U.S. PATENT DOCUMENTS

D197,615 S * 3/1964 Miller et al. D6/709
D299,798 S * 2/1989 Sottsas D6/656.16
D305,567 S * 1/1990 Scott D25/62
5,193,598 A * 3/1993 Estrem B23D 47/025
108/135
D364,978 S * 12/1995 Smith D12/106

D401,451 S * 11/1998 Sherman D6/682.4
D405,294 S * 2/1999 Adams D17/99
6,039,654 A * 3/2000 Zeilinger A63G 9/12
248/165
D461,330 S * 8/2002 Wang D6/349
D505,559 S * 5/2005 Sun D6/349
D506,091 S * 6/2005 Cioncada D6/656
D512,587 S * 12/2005 Frenkler D6/691.5
D554,909 S * 11/2007 Theemann D6/691.5
D571,121 S * 6/2008 Radermacher D15/127
D583,160 S * 12/2008 Balsley D6/355
D615,779 S * 5/2010 Hernandez D6/656.16
D618,473 S * 6/2010 Hernandez D6/656.17
D631,560 S * 1/2011 Merritt, Sr. D25/67
D660,250 S * 5/2012 Martin D13/155
D662,731 S * 7/2012 Martin D6/656
D677,932 S * 3/2013 Wang D6/681.1

(Continued)

Primary Examiner — Steven J Cxyz

(74) *Attorney, Agent, or Firm* — Michael Best & Friedrich LLP

(57) **CLAIM**

We claim the ornamental design for a chase, as shown and described.

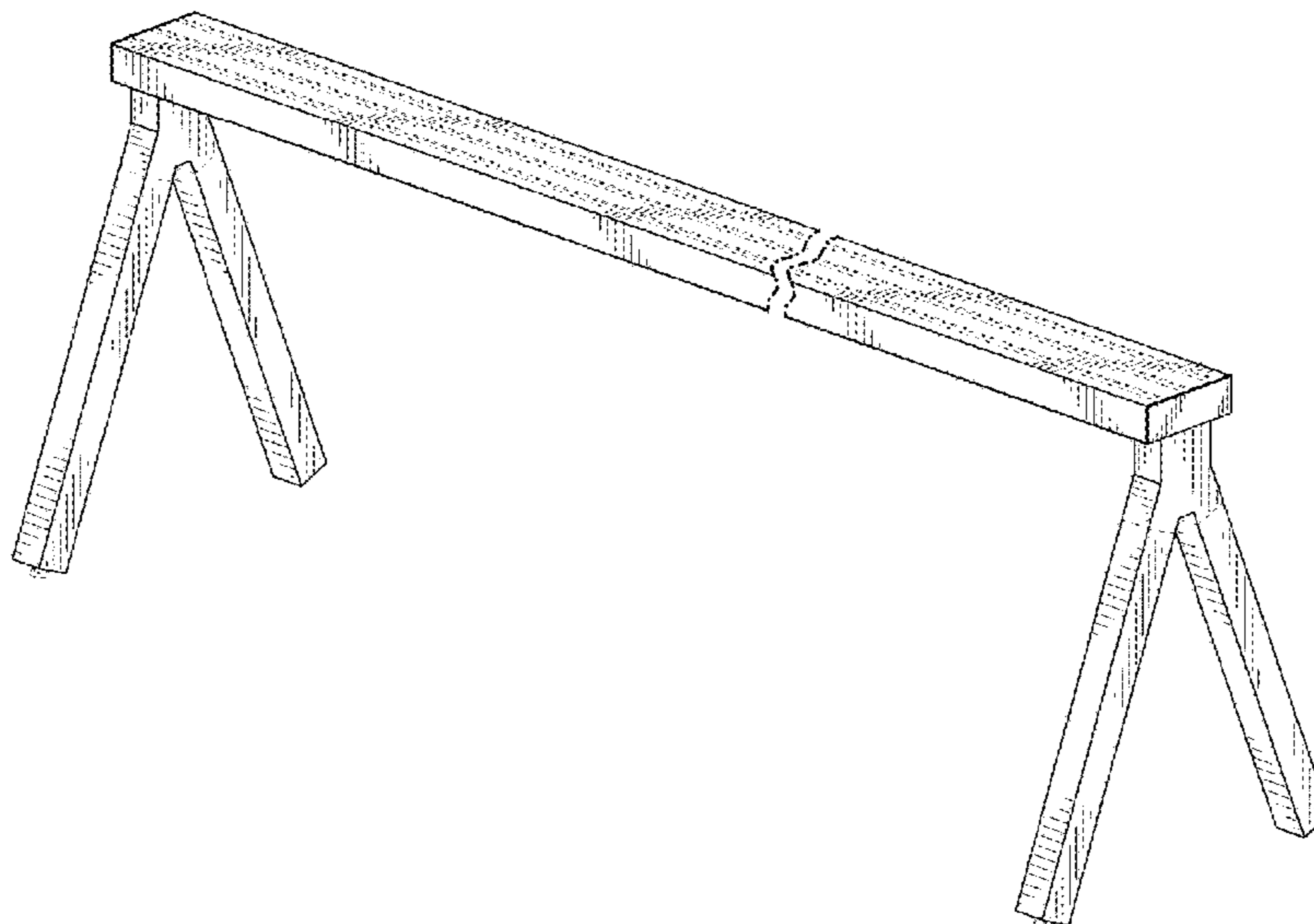
DESCRIPTION

FIG. 1 is a perspective view of a chase;
FIG. 2 is a first side view thereof;
FIG. 3 is a second side view thereof;
FIG. 4 is a first end view thereof;
FIG. 5 is a second end view thereof;
FIG. 6 is a top view thereof; and,
FIG. 7 is a bottom view thereof.

The evenly spaced broken lines depict portions of the article that form no part of the claimed design.

The chase is shown with a symbolic break in its length. The appearance of any portion of the article between the break lines forms no part of the claimed design.

1 Claim, 5 Drawing Sheets



(56)

References Cited

U.S. PATENT DOCUMENTS

D714,561 S *	10/2014	Lange	D6/349	D823,013 S *	7/2018	Burden	D6/349
D737,609 S *	9/2015	Nishikawa	D6/691.5	D828,059 S *	9/2018	Lunardi	D6/682.4
D747,122 S *	1/2016	Chang	D6/656.16	D833,186 S *	11/2018	Xing	D6/684
D753,419 S *	4/2016	Heirakuji	D6/675	D845,244 S *	4/2019	Andersson	D13/139.2
9,427,083 B2 *	8/2016	Dame	A47B 83/001	D868,509 S *	12/2019	Matthai	D6/672
D765,450 S *	9/2016	Biddle	D6/691	D877,544 S *	3/2020	Hu	D6/656.16
D772,620 S *	11/2016	Dahlstrom	D6/691	D878,119 S *	3/2020	Kimmel	D6/681
9,504,317 B1 *	11/2016	White	A47B 21/06	2005/0101193 A1 *	5/2005	Godard	H01R 13/6683 439/652
D781,086 S *	3/2017	Velez	D6/656	2009/0165679 A1 *	7/2009	Bakker	A47B 21/06 108/50.02
D783,319 S *	4/2017	Udagawa	D6/672	2010/0282540 A1 *	11/2010	Moss	B25H 1/06 182/119
D786,587 S *	5/2017	Udagawa	D6/672	2010/0288585 A1 *	11/2010	Katz	B25H 1/06 182/155
D787,240 S *	5/2017	Udagawa	D6/672	2014/0106610 A1	4/2014	Byrne et al.		
D794,359 S *	8/2017	Yamamoto	D6/656	2015/0173505 A1 *	6/2015	Mirth	A47B 13/16 211/186
9,730,513 B2 *	8/2017	Udagawa	A47C 7/72	2015/0238008 A1 *	8/2015	Rutz	A47B 13/081 384/26
D801,275 S *	10/2017	Lee	D13/139.2					
D802,345 S *	11/2017	Hurford	D6/709					
D804,222 S *	12/2017	Leleu	D6/641					
D810,476 S *	2/2018	Heirakuji	D6/675					

* cited by examiner

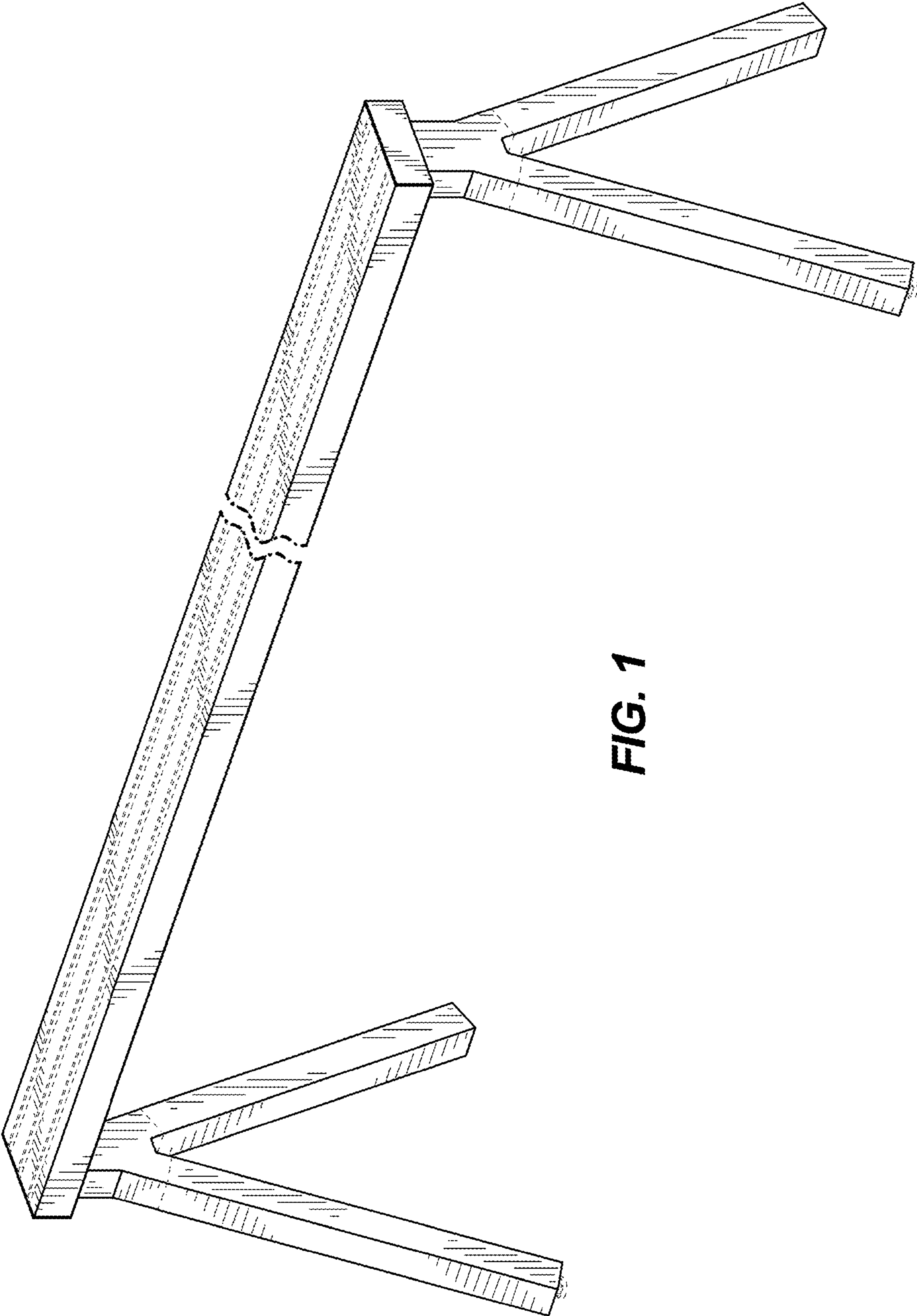


FIG. 1

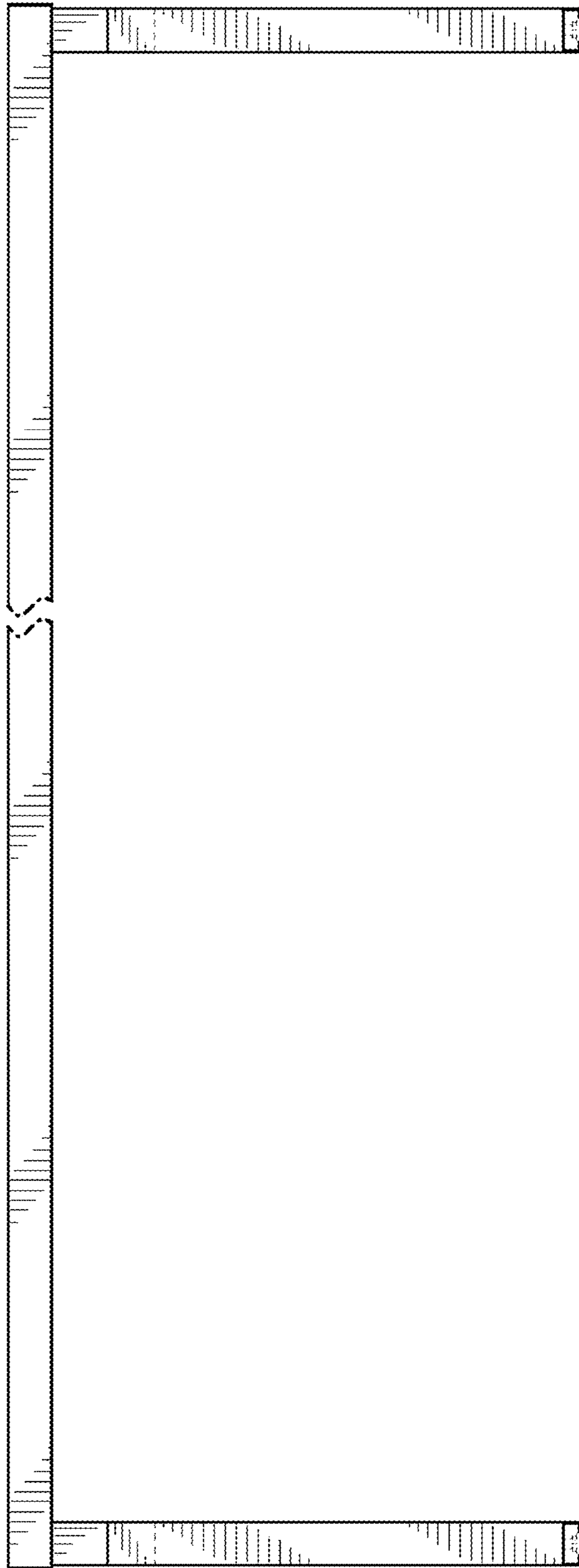


FIG. 2

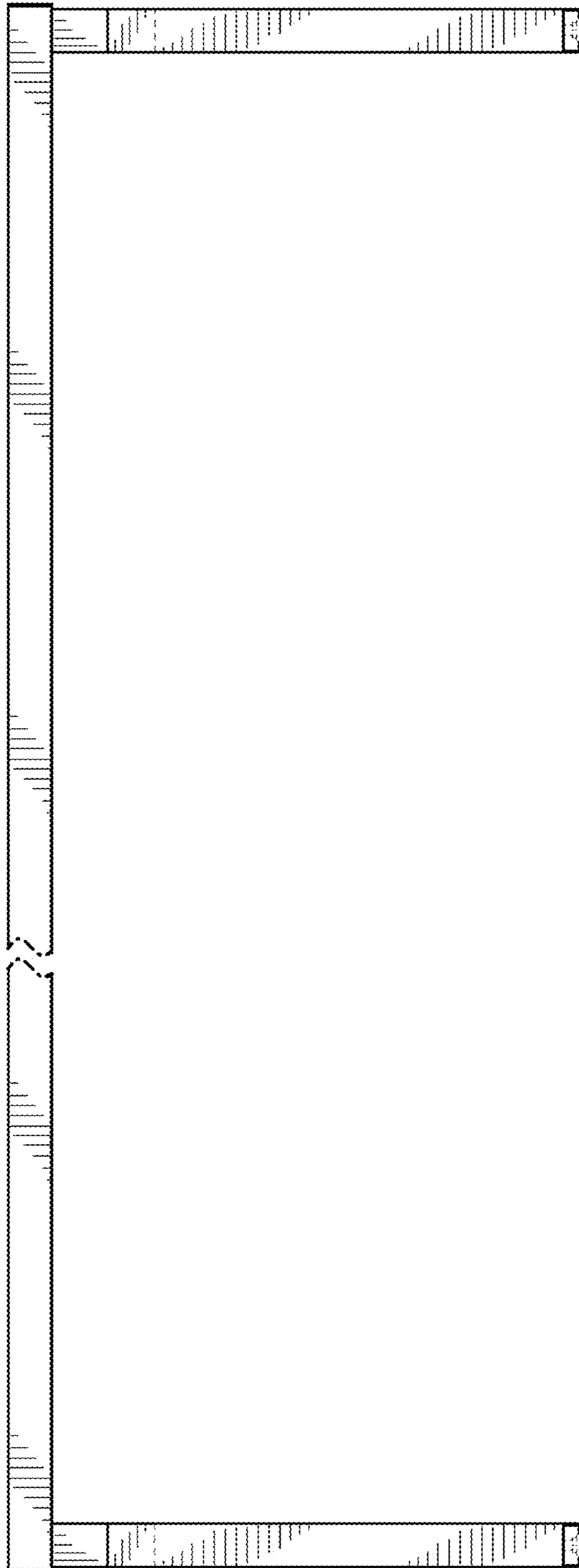


FIG. 3

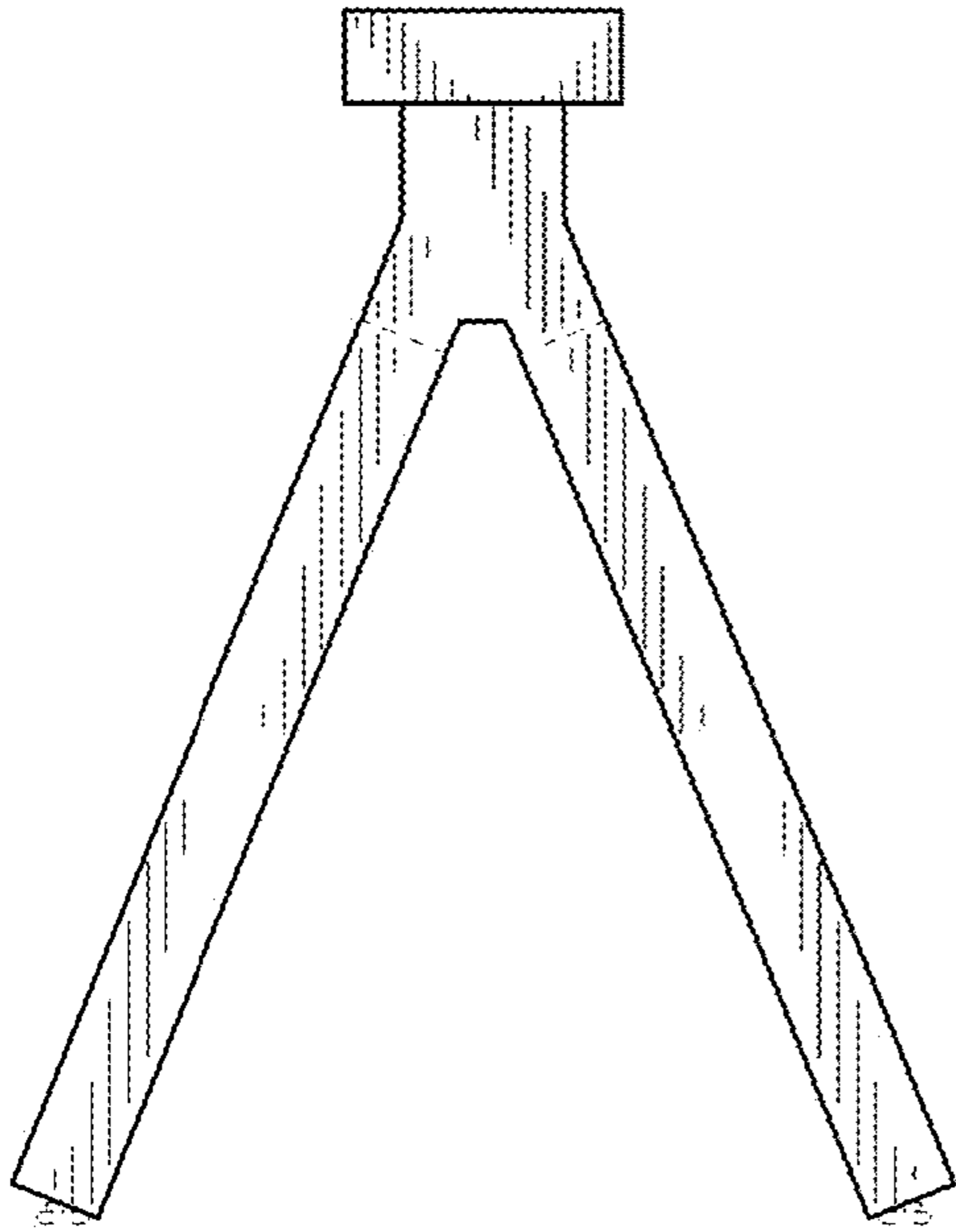


FIG. 4

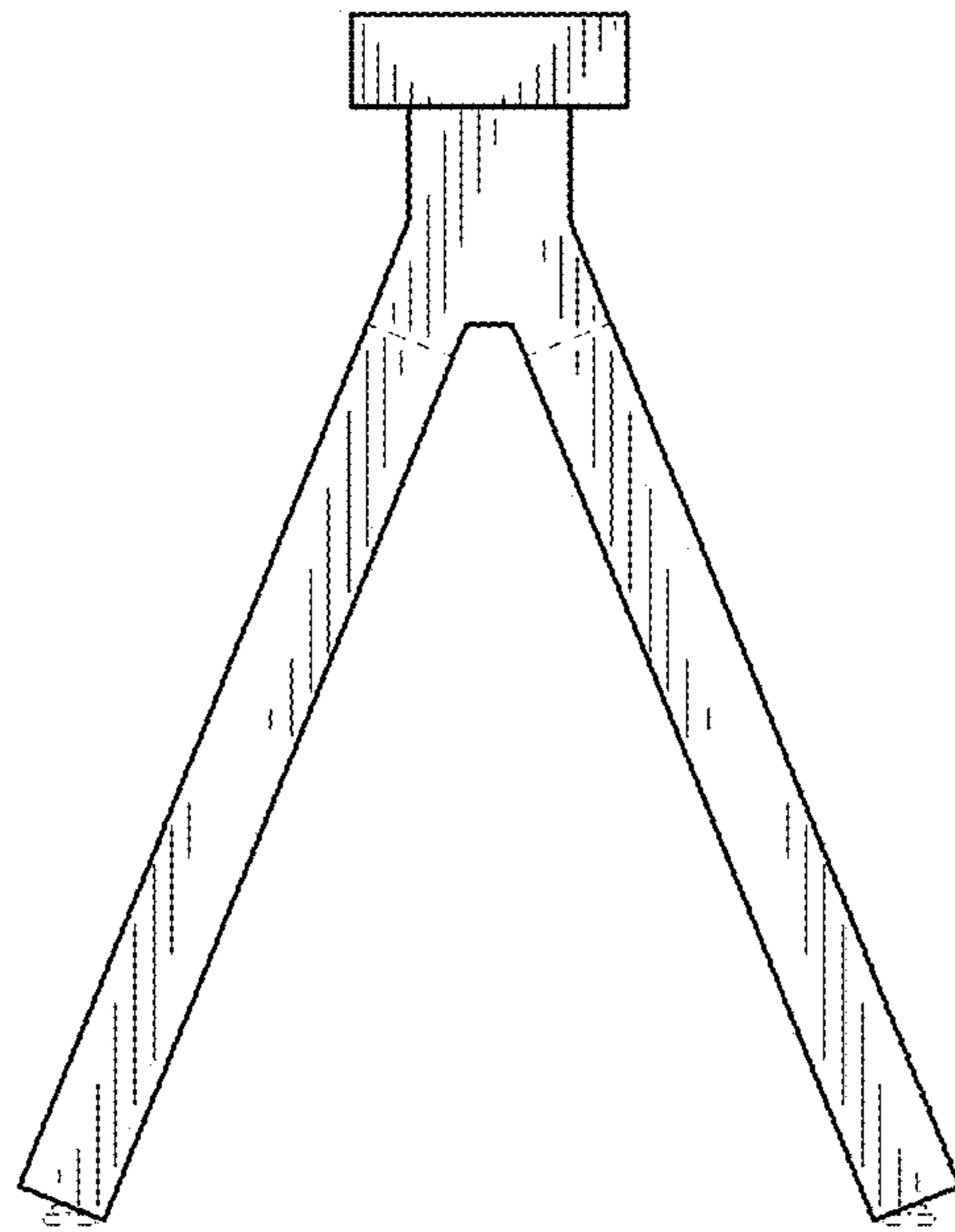


FIG. 5

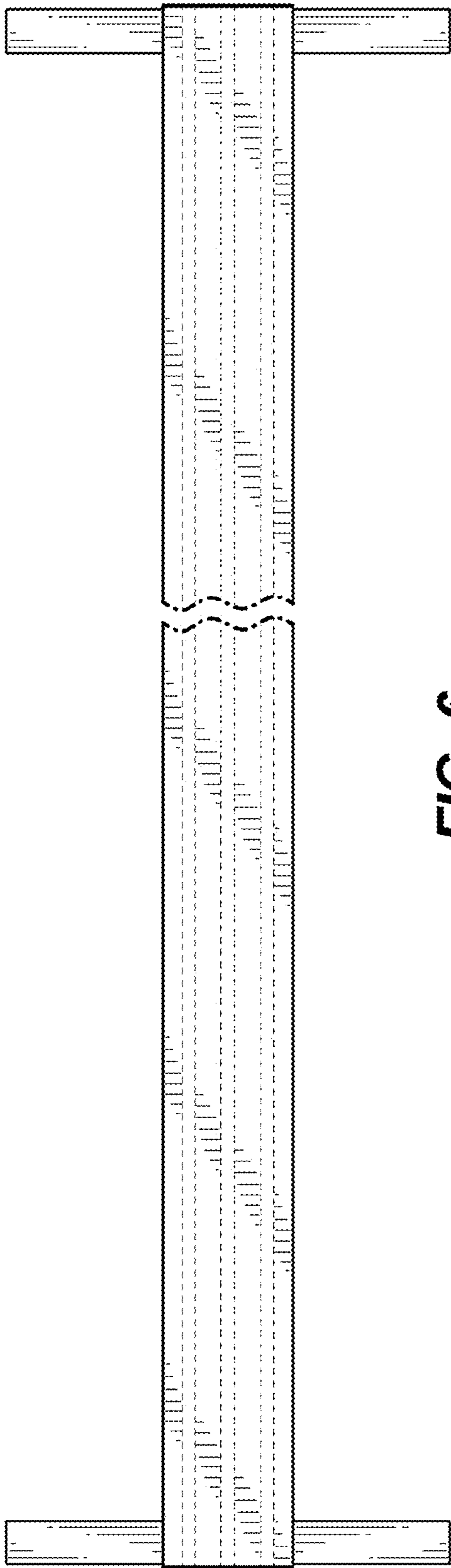


FIG. 6

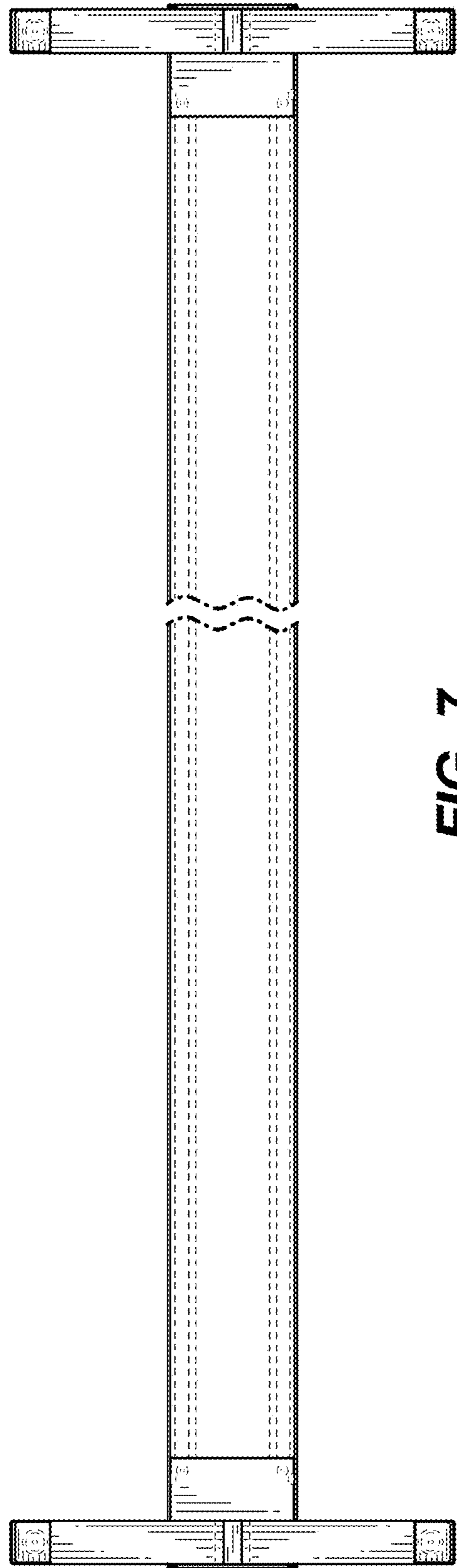


FIG. 7