



US00D903381S

(12) **United States Design Patent**
Wang et al.

(10) **Patent No.:** **US D903,381 S**
(45) **Date of Patent:** **** Dec. 1, 2020**

(54) **RED WINE CABINET**

FOREIGN PATENT DOCUMENTS

(71) Applicants: **Wei-Jun Wang**, Taipei (TW);
Ruei-Hong Hong, Taipei (TW);
Wen-Yi Chiu, Taipei (TW)

CN 303992880 1/2017
GB 2491418 A * 12/2012 A47B 73/00

(72) Inventors: **Wei-Jun Wang**, Taipei (TW);
Ruei-Hong Hong, Taipei (TW);
Wen-Yi Chiu, Taipei (TW)

OTHER PUBLICATIONS

Better Living Through Design. <https://www.betterlivingthroughdesign.com/accessories/grape-wine-rack/>. "Grape Wine Rack". Apr. 2009 (Year: 2009).*

(73) Assignee: **COMPAL ELECTRONICS, INC.**,
Taipei (TW)

(Continued)

(**) Term: **15 Years**

Primary Examiner — R. Johnson

(74) *Attorney, Agent, or Firm* — JCIPRNET

(21) Appl. No.: **29/659,418**

(57) **CLAIM**

(22) Filed: **Aug. 8, 2018**

The ornamental design for a red wine cabinet, as shown and described.

(30) **Foreign Application Priority Data**

DESCRIPTION

Apr. 19, 2018 (CN) 2018 3 0163069

(51) **LOC (12) Cl.** **06-04**

(52) **U.S. Cl.**
USPC **D6/661**

(58) **Field of Classification Search**
USPC D6/321, 663, 664, 664.1, 667, 668, 669,
D6/671, 671.2, 672, 673, 660, 661
CPC A47B 46/00; A47B 55/00; A47B 57/00;
A47B 61/00; A47B 67/00; A47B 67/005;
A47B 67/02; A47B 67/04; A47B 73/00;
A47B 73/004; A47B 83/00; A47B 83/001
See application file for complete search history.

FIG. 1 is a perspective view of a red wine cabinet showing our new design;
FIG. 2 is another perspective view thereof;
FIG. 3 is a front view thereof;
FIG. 4 is an enlarged view of the indicated portion of FIG. 1;
FIG. 5 is a perspective view thereof showing the plug in the slot moved outward and the slot is closed;
FIG. 6 is an enlarged view of the indicated portion of FIG. 5; and,
FIG. 7 is a perspective thereof showing the red wine bottle pushes the plug and is placed in the red wine cabinet.
The rear, left side, right side, top and bottom views is omitted because they are unornamented and form no part of the claimed design.
The dashed broken lines illustrate portions of the red wine cabinet and form no part of the claimed design.
Shading with oblique lines in FIGS. 4 and 6 indicate light transparency and form no part of the claimed design.

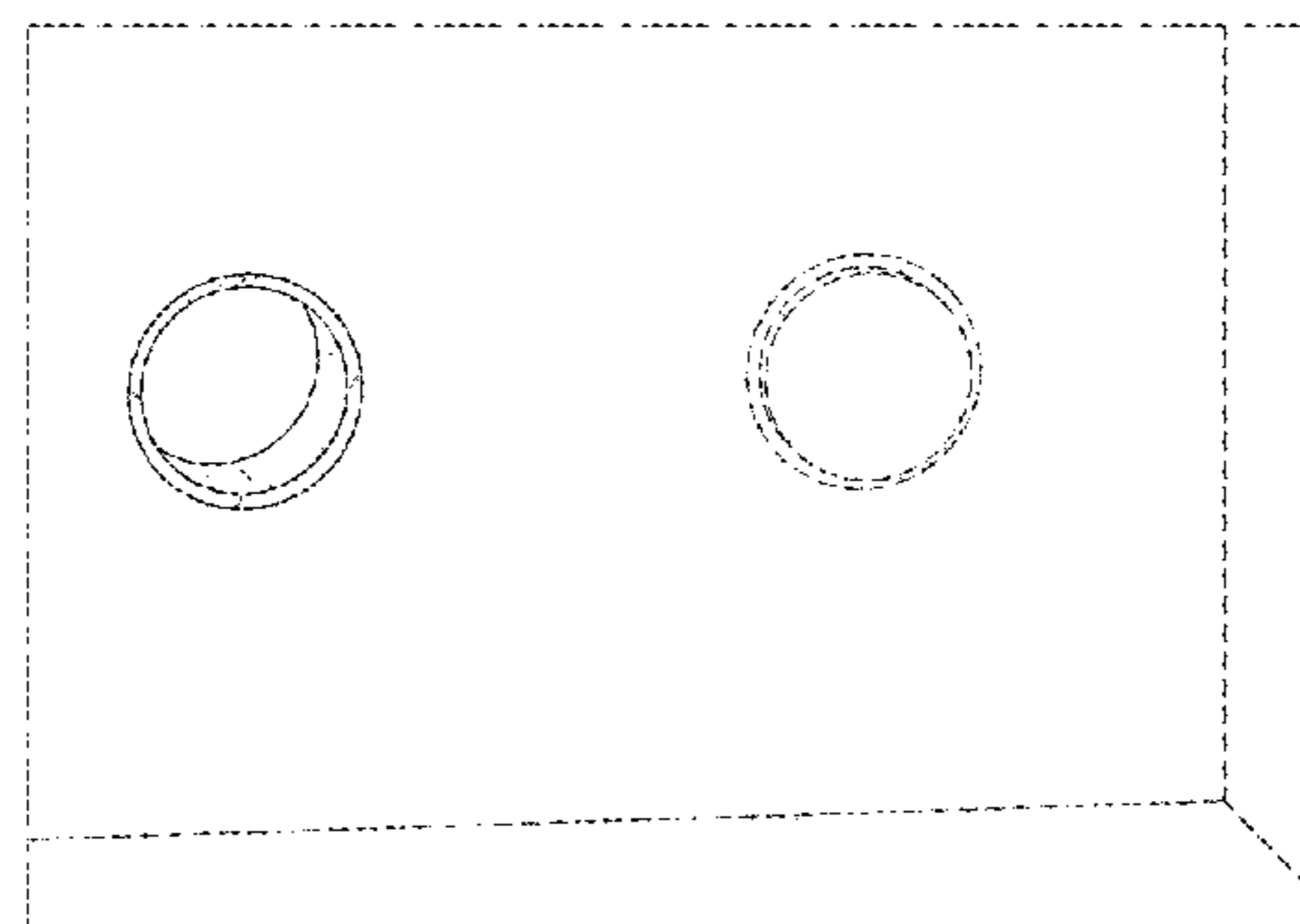
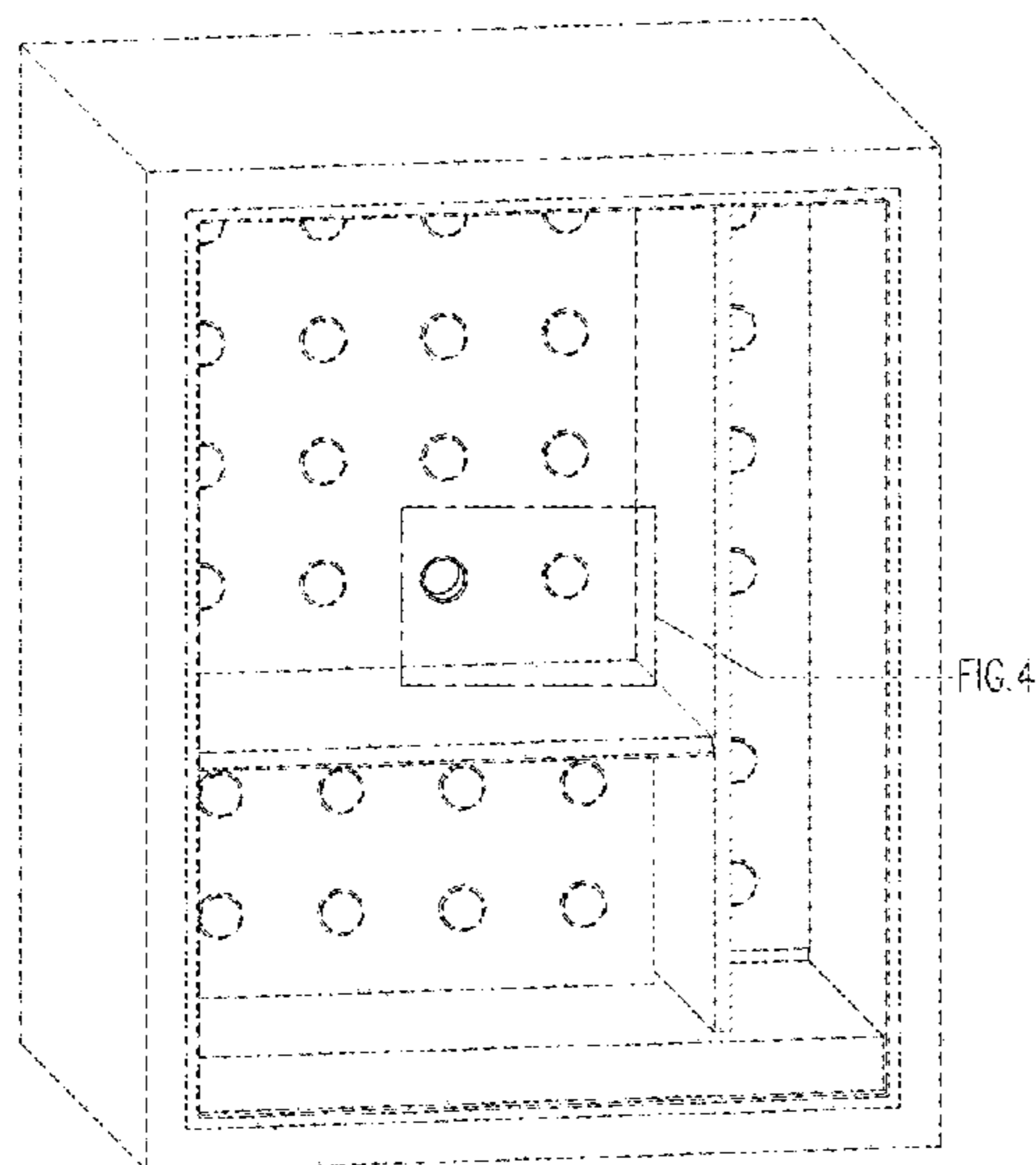
(56) **References Cited**

U.S. PATENT DOCUMENTS

D236,784 S * 9/1975 Kapnek D6/661
D253,802 S * 1/1980 Loud D6/682.2
4,496,124 A * 1/1985 Cole A47G 23/0241
211/74
D331,676 S * 12/1992 Endelman D6/661

(Continued)

1 Claim, 7 Drawing Sheets



(56)

References Cited

U.S. PATENT DOCUMENTS

D405,297 S * 2/1999 Simioni D6/661
D441,223 S * 5/2001 Reeves A47F 3/005
D6/661
6,290,057 B1 * 9/2001 Hurley B65D 5/503
206/203
D472,736 S * 4/2003 Moore D6/661
D568,697 S * 5/2008 Allen D7/708
D598,216 S * 8/2009 Wong D6/661
8,033,402 B1 * 10/2011 Bevis A47B 73/008
211/74
D861,389 S * 10/2019 Bray D6/671
D862,134 S * 10/2019 Bray D6/671
2007/0062892 A1 * 3/2007 Donnellan A47B 49/00
211/74
2007/0210022 A1 * 9/2007 Bianchini A47B 73/00
211/75
2011/0036791 A1 * 2/2011 Huang A47B 73/00
211/74
2011/0204010 A1 * 8/2011 Hastu A47B 73/004
211/74
2016/0213143 A1 * 7/2016 Hogeback A47B 73/00
2018/0027962 A1 * 2/2018 Benz A47F 7/283

OTHER PUBLICATIONS

Office Action of Taiwan Counterpart Application, dated Jan. 29, 2019, pp. 1-3.

* cited by examiner

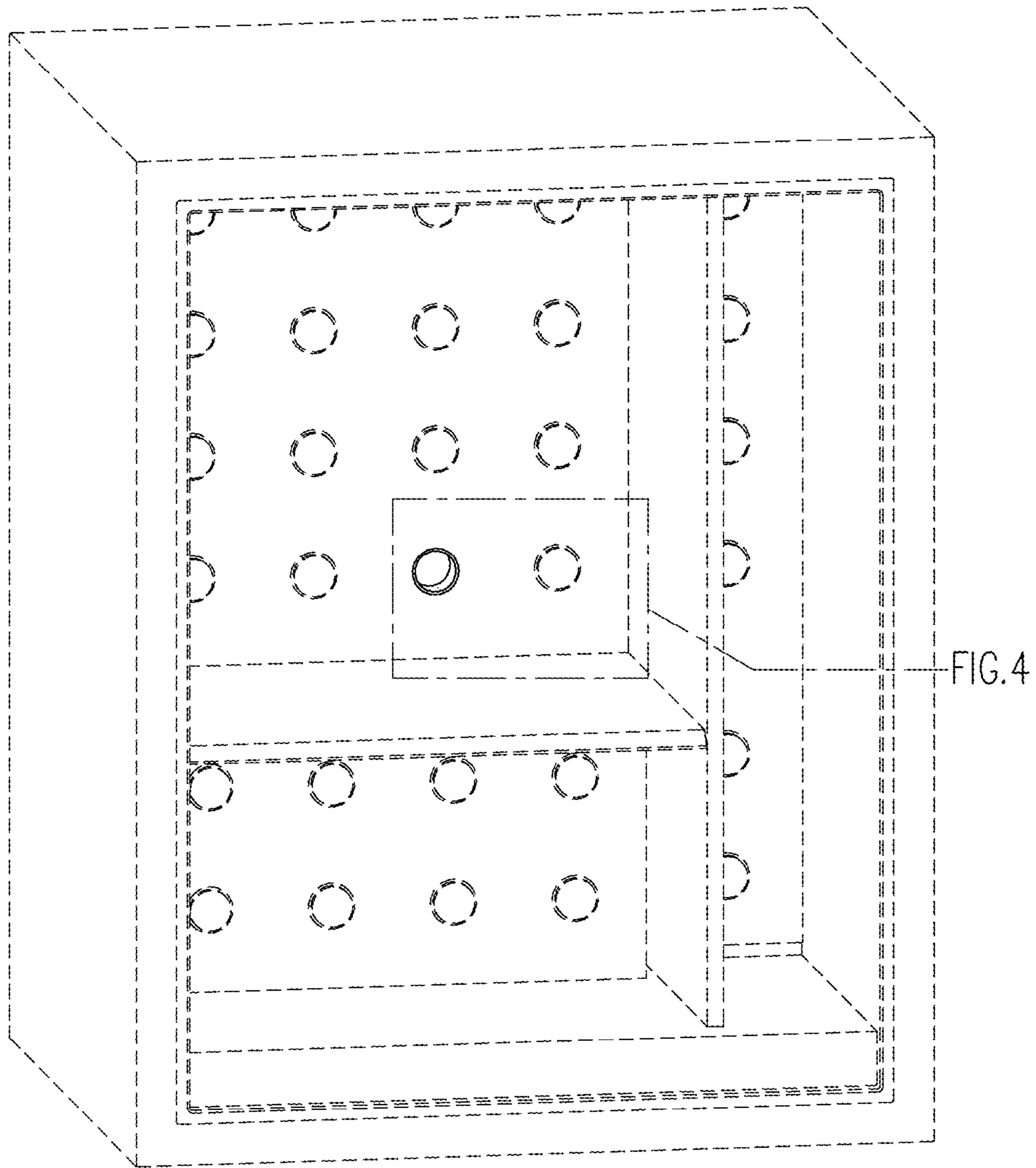


FIG. 1

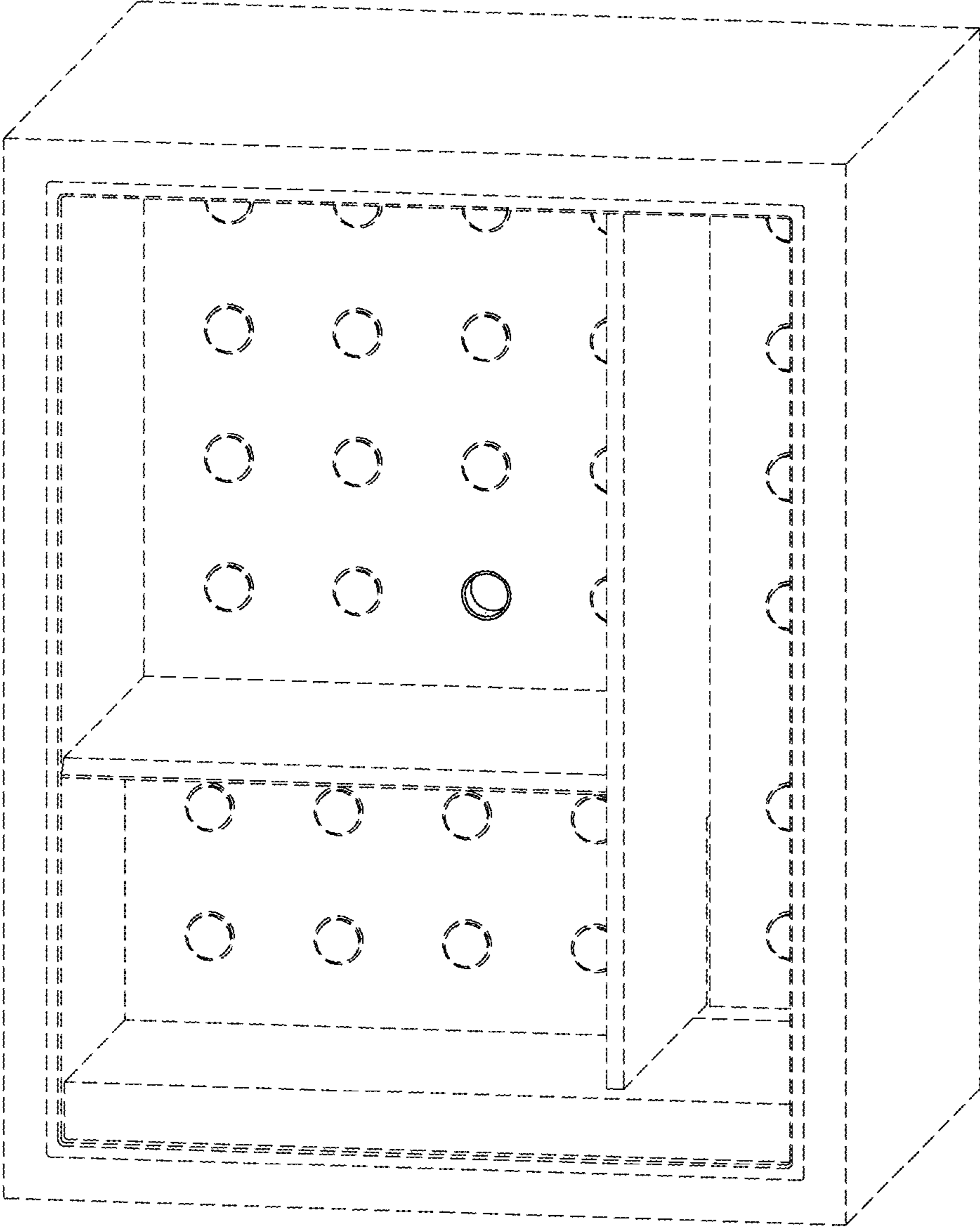


FIG. 2

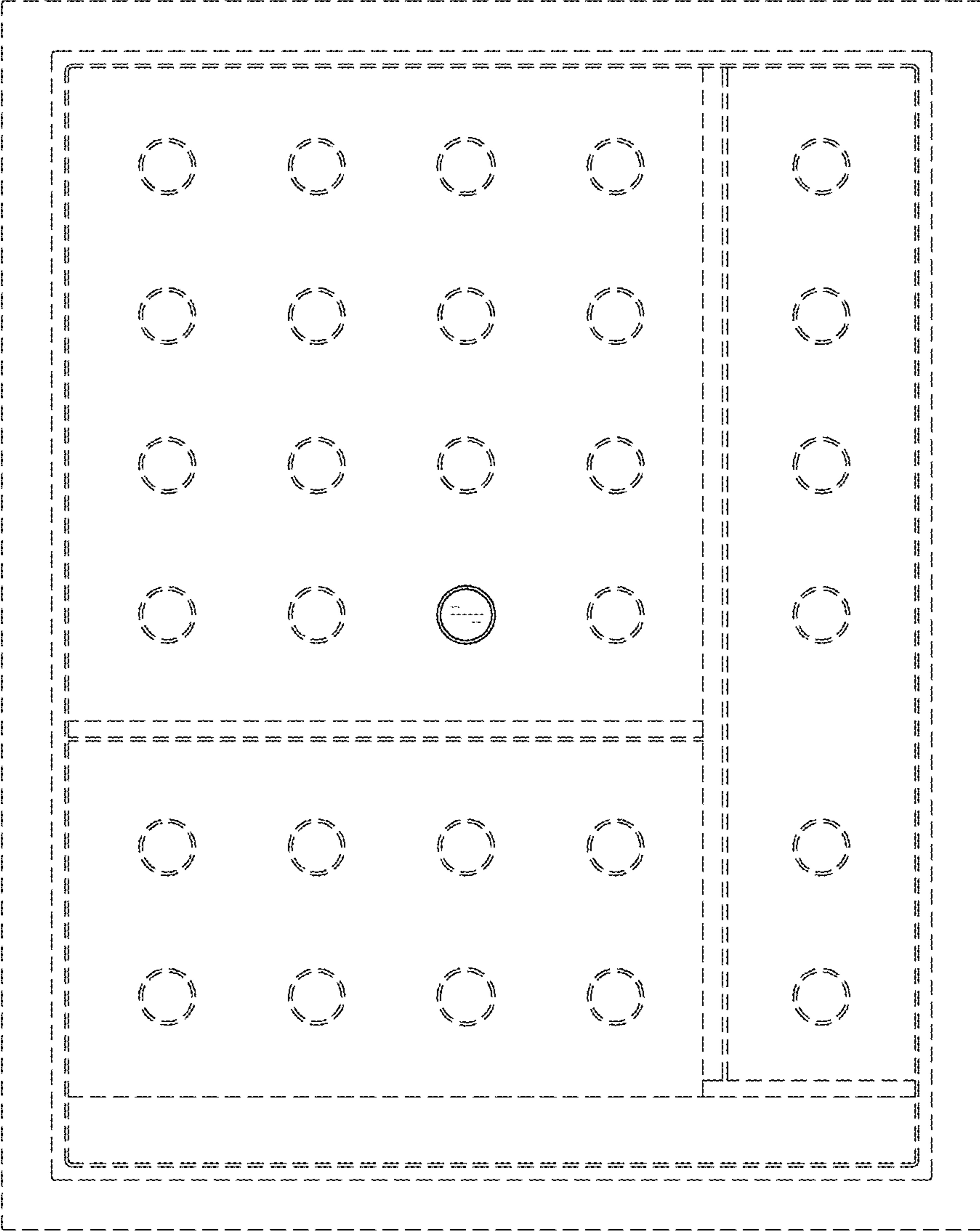


FIG. 3

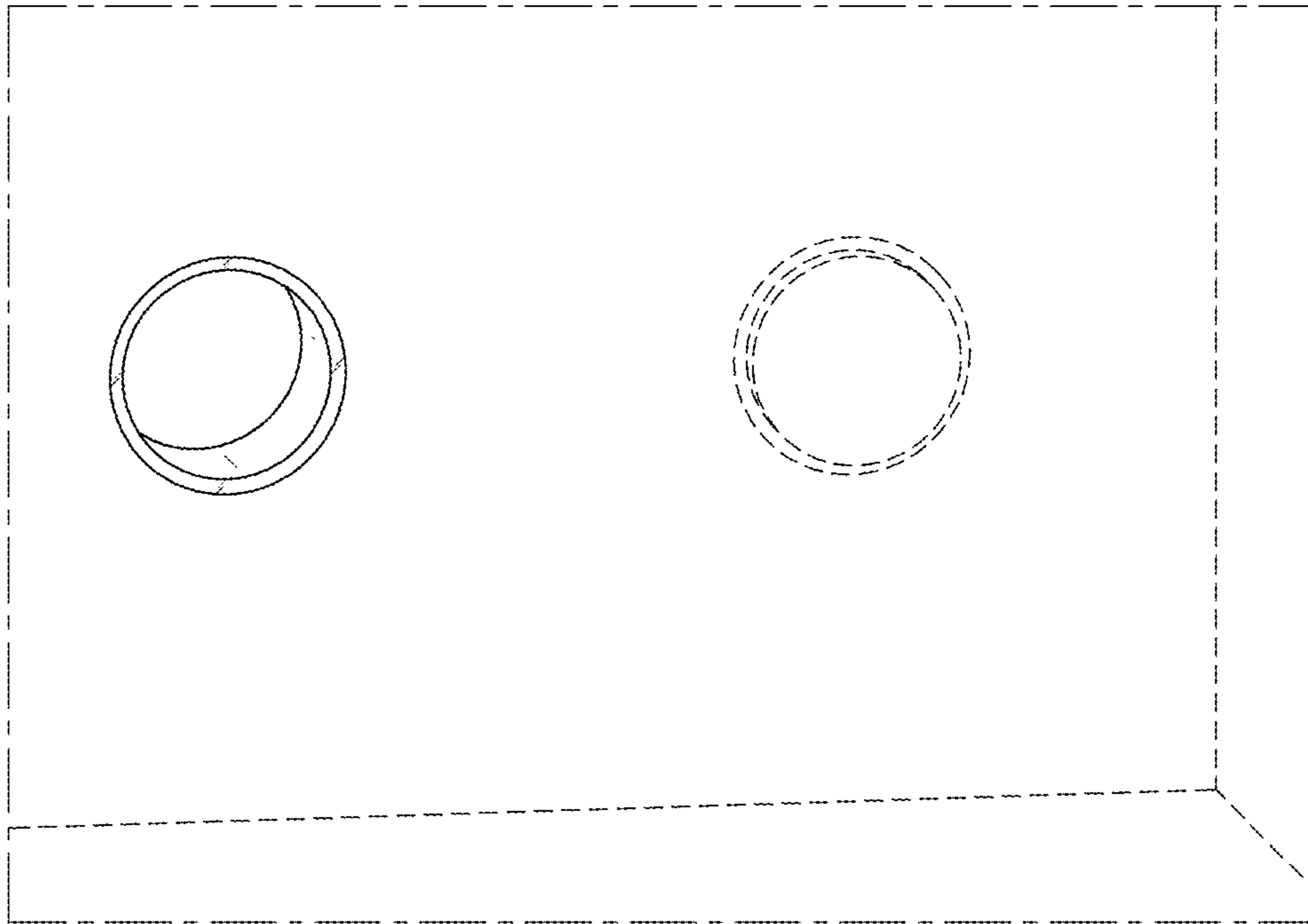


FIG. 4

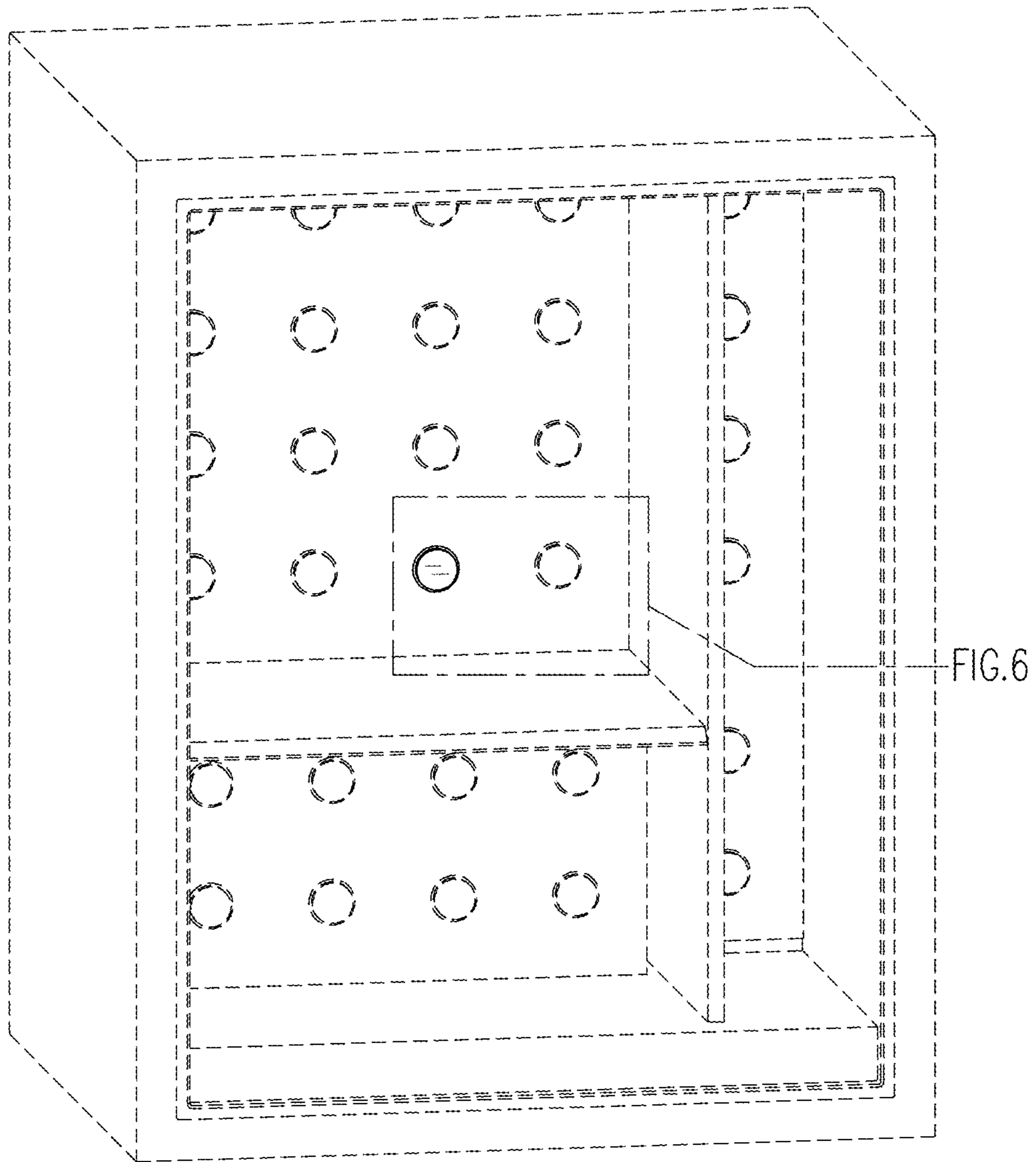


FIG. 5

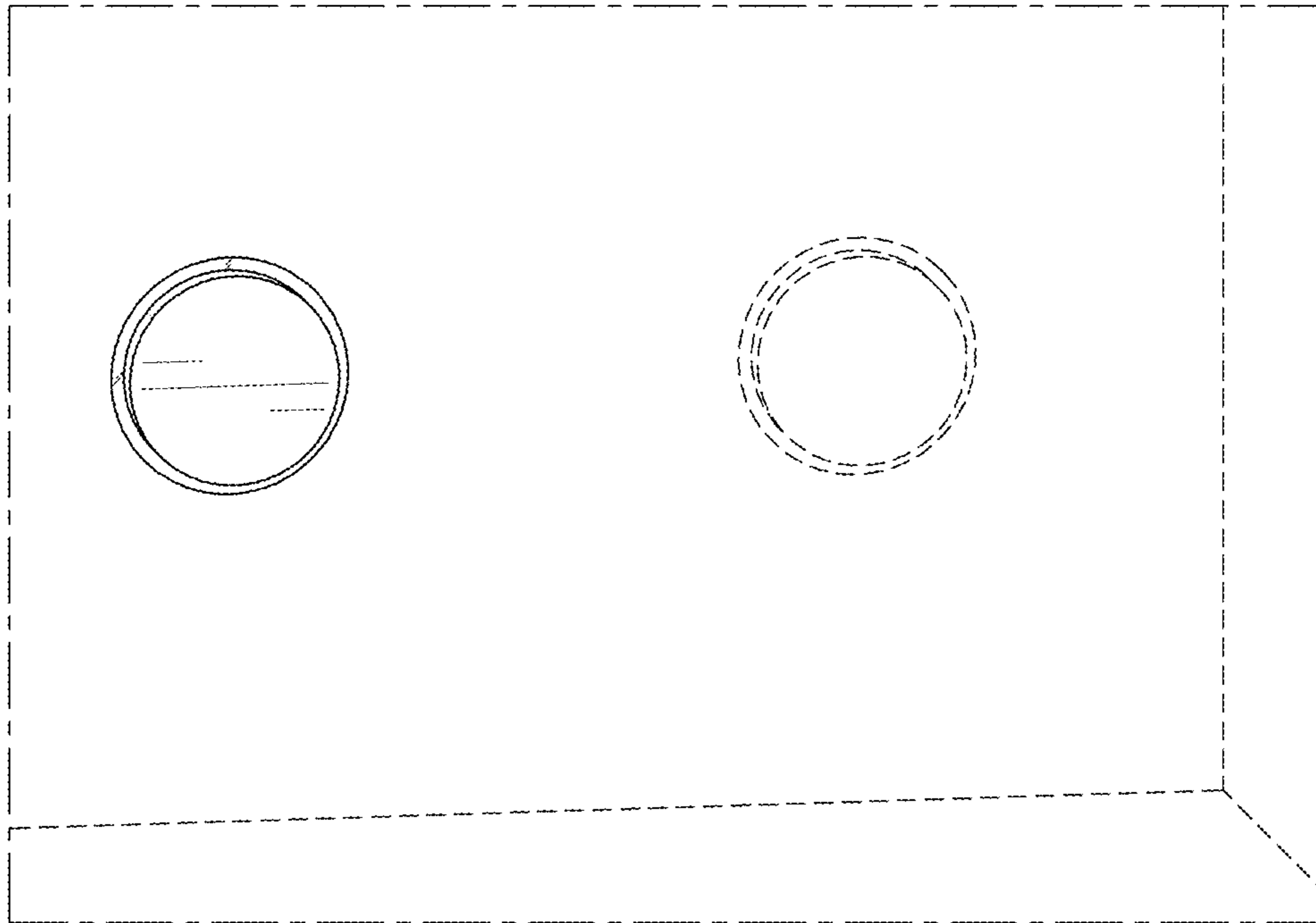


FIG. 6

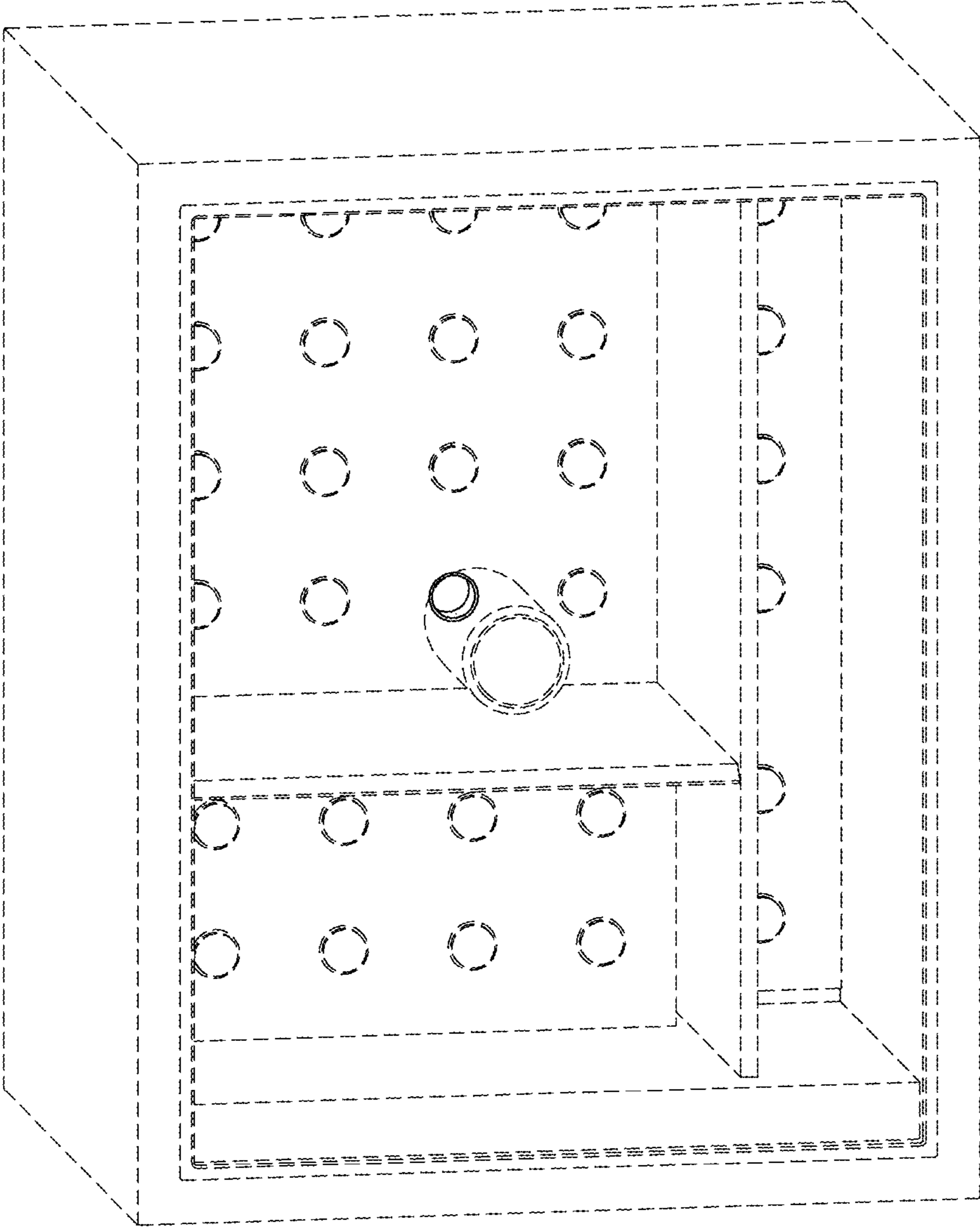


FIG. 7