



US00D903380S

(12) **United States Design Patent** (10) **Patent No.:** **US D903,380 S**
Stevens (45) **Date of Patent:** **** Dec. 1, 2020**

(54) **WORK SURFACE**

(71) Applicant: **HERMAN MILLER LIMITED,**
Melksham (GB)

(72) Inventor: **Richard Stevens,** Cornwall (GB)

(73) Assignee: **HERMAN MILLER LIMITED,**
Melksham (GB)

(**) Term: **15 Years**

(21) Appl. No.: **29/670,201**

(22) Filed: **Nov. 14, 2018**

(51) **LOC (12) Cl.** **06-03**

(52) **U.S. Cl.**
USPC **D6/656; D6/656.13**

(58) **Field of Classification Search**
USPC D6/329, 555, 641, 642, 648, 648.1, 656,
D6/656.1, 656.13, 656.15, 685, 686, 691,
D6/691.3, 691.6, 694
CPC . A47B 13/00; A47B 13/003; A47B 2013/006;
A47B 13/02
See application file for complete search history.

(56) **References Cited**

U.S. PATENT DOCUMENTS

1,847,147	A *	3/1932	Thomas, Jr.	H02G 3/06 285/179.1
3,433,183	A *	3/1969	Saltz	A47B 13/02 108/12
D224,636	S *	8/1972	Ball	D6/691.6
D224,637	S *	8/1972	Ball	D6/641
D240,785	S *	8/1976	Robinson	D6/648
4,041,881	A *	8/1977	Textoris	A47B 13/02 108/159
D250,391	S *	11/1978	France	D25/61
D263,532	S *	3/1982	Ferdinand	D6/555

(Continued)

OTHER PUBLICATIONS

“Charleywood Graham Desk.” Found online Apr. 2, 2020 at www.wayfair.com. Product reviewed Apr. 28, 2019. Retrieved from URL: https://www.wayfair.com/furniture/pdp/wrought-studio-chorleywood-graham-desk-w001488953.html?piid= (Year: 2019).*

(Continued)

Primary Examiner — Mary Ann Calabrese

Assistant Examiner — Katelin G Kloberg

(74) *Attorney, Agent, or Firm* — Michael Best & Friedrich LLP

(57) **CLAIM**

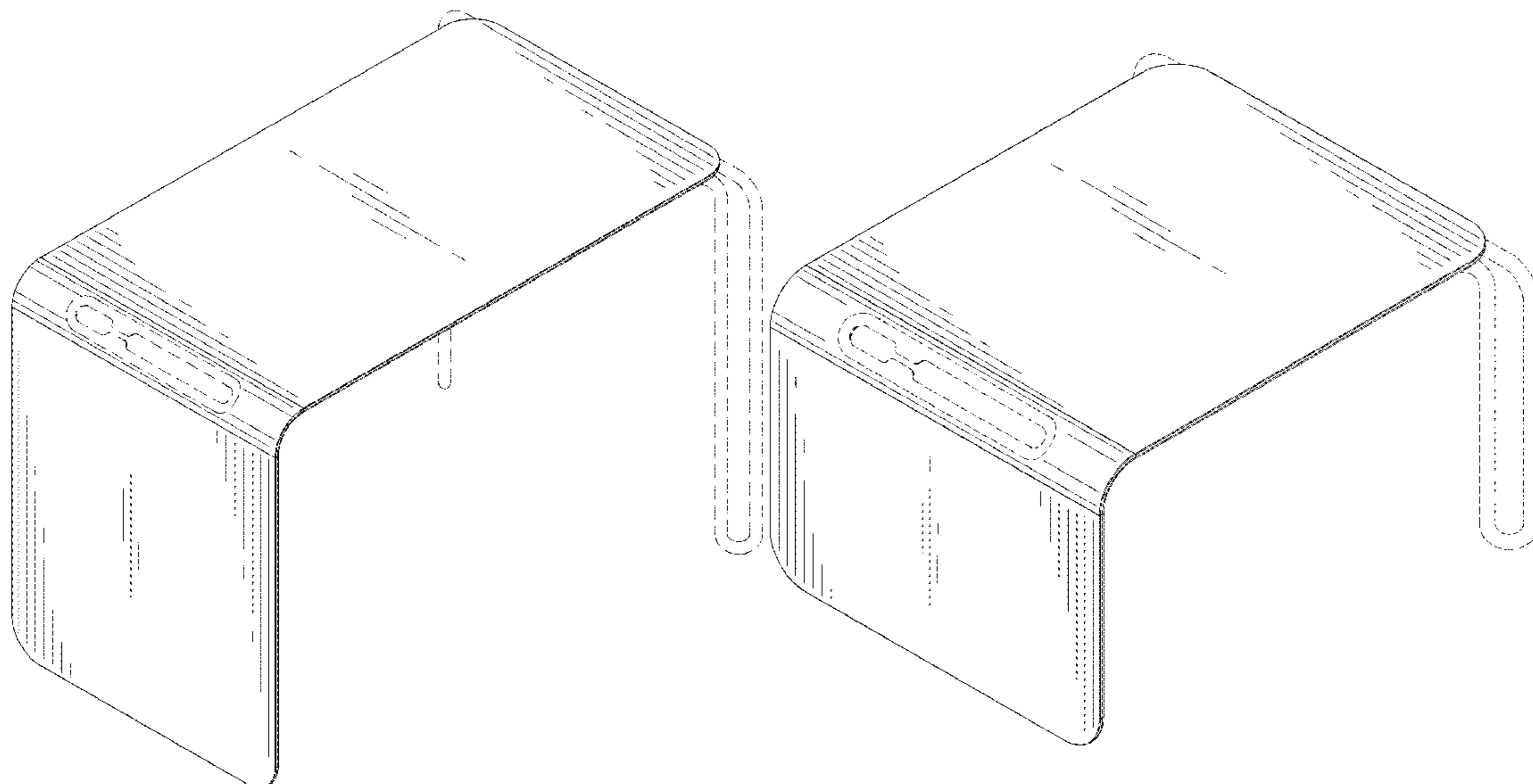
The ornamental design for a work surface, as shown and described.

DESCRIPTION

FIG. 1 is a top perspective view of a work surface, showing a first embodiment of my new design;
FIG. 2 is a bottom perspective view of FIG. 1.
FIG. 3 is a right side view of FIG. 1.
FIG. 4 is a left side view of FIG. 1.
FIG. 5 is a top view of FIG. 1.
FIG. 6 is a bottom view of FIG. 1.
FIG. 7 is a front view of FIG. 1.
FIG. 8 is a rear view of FIG. 1.
FIG. 9 is a top perspective view of a work surface, showing a second embodiment of my new design;
FIG. 10 is a bottom perspective view of FIG. 9.
FIG. 11 is a right side view of FIG. 9.
FIG. 12 is a left side view of FIG. 9.
FIG. 13 is a top view of FIG. 9.
FIG. 14 is a bottom view of FIG. 9.
FIG. 15 is a front view of FIG. 9; and,
FIG. 16 is a rear view of FIG. 9.

The broken lines shown on the drawings depict portions of the work surface that form no part of the claimed design.

1 Claim, 10 Drawing Sheets



(56)

References Cited

U.S. PATENT DOCUMENTS

4,467,730 A * 8/1984 Borichevsky A47B 13/06
108/157.18
D282,030 S * 1/1986 Sottsass D6/656
D372,818 S * 8/1996 Snell D6/656.15
D427,814 S * 7/2000 Black D6/690
D455,755 S * 4/2002 Levine D14/447
D472,069 S * 3/2003 Sedor D6/652
D542,568 S * 5/2007 Clark D6/406.6
7,456,349 B2 * 11/2008 Sugimoto G10H 1/32
108/144.11
D647,723 S * 11/2011 Ruggiero D6/643
D774,811 S * 12/2016 Reybier D6/691.6
D781,086 S * 3/2017 Velez D6/656
D828,705 S * 9/2018 Yoshida D6/656.15
D833,181 S * 11/2018 Kundig D6/656.1
D871,120 S * 12/2019 Schalk D6/714
D874,190 S * 2/2020 Papic D6/656

OTHER PUBLICATIONS

“Kerf Bending Plywood.” Found online Apr. 2, 2020 at www.finewoodworking.com. Page dated Aug. 15, 2018. Retrieved from URL: <https://www.finewoodworking.com/2018/08/15/kerf-bending-plywood> (Year: 2018).*

“Using the Flex Feature Effectively.” Found online Apr. 2, 2020 at blogs.solidworks.com. Page dated Sep. 2, 2013. Retrieved from URL: <https://blogs.solidworks.com/tech/2013/09/using-the-flex-feature-effectively.html> (Year: 2013).*

* cited by examiner

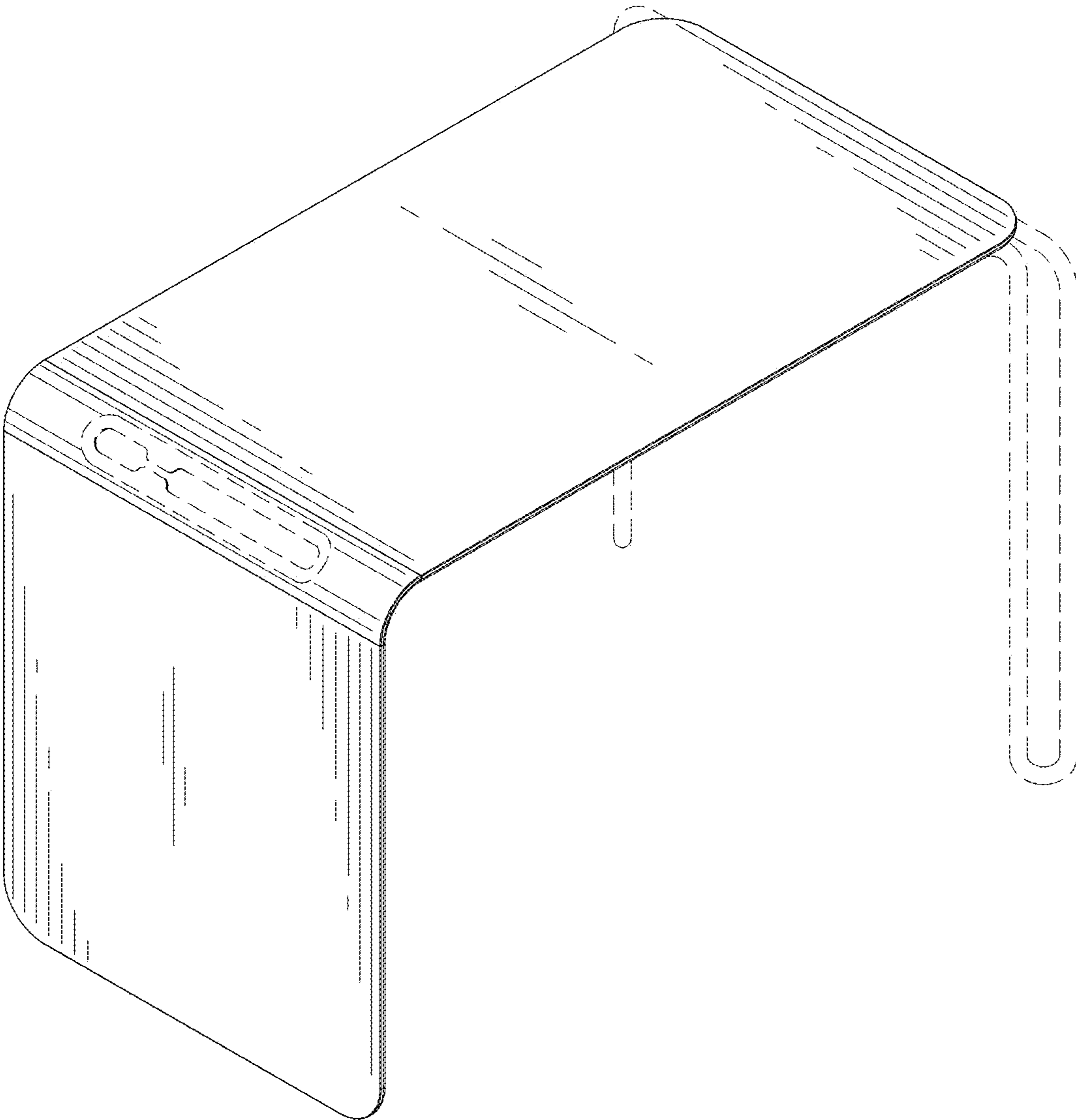


FIG. 1

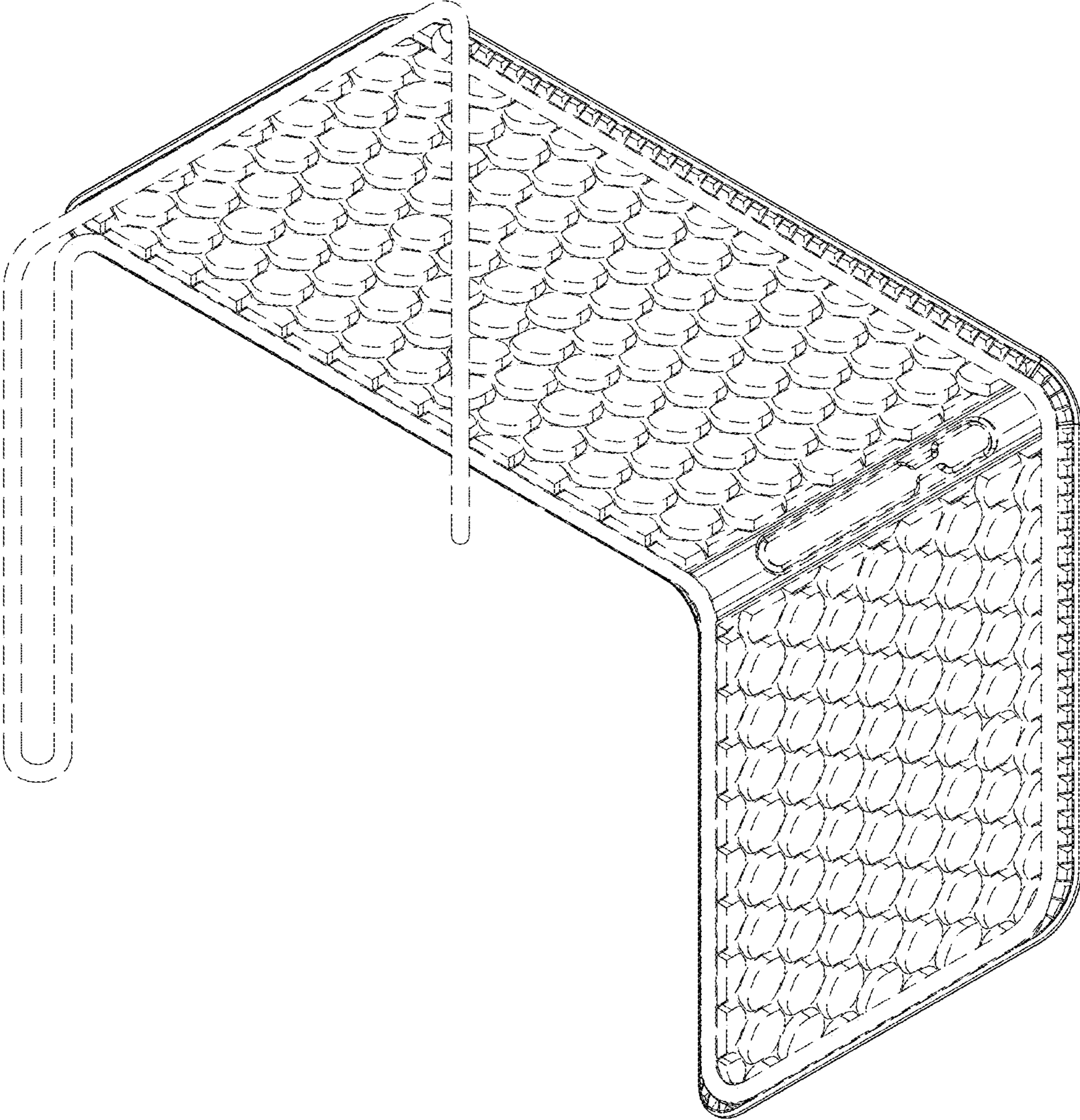


FIG. 2



FIG. 3



FIG. 4

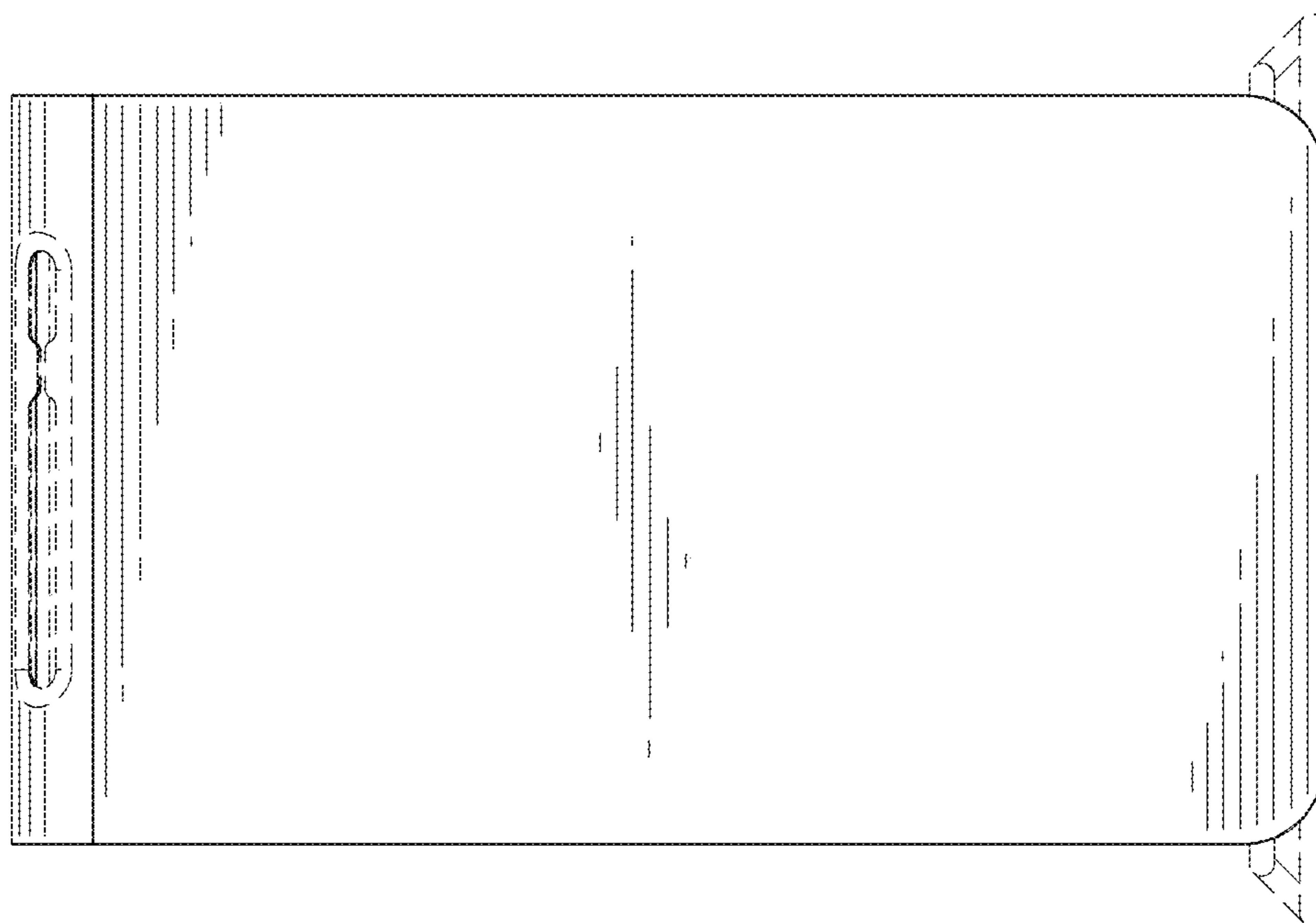


FIG. 5

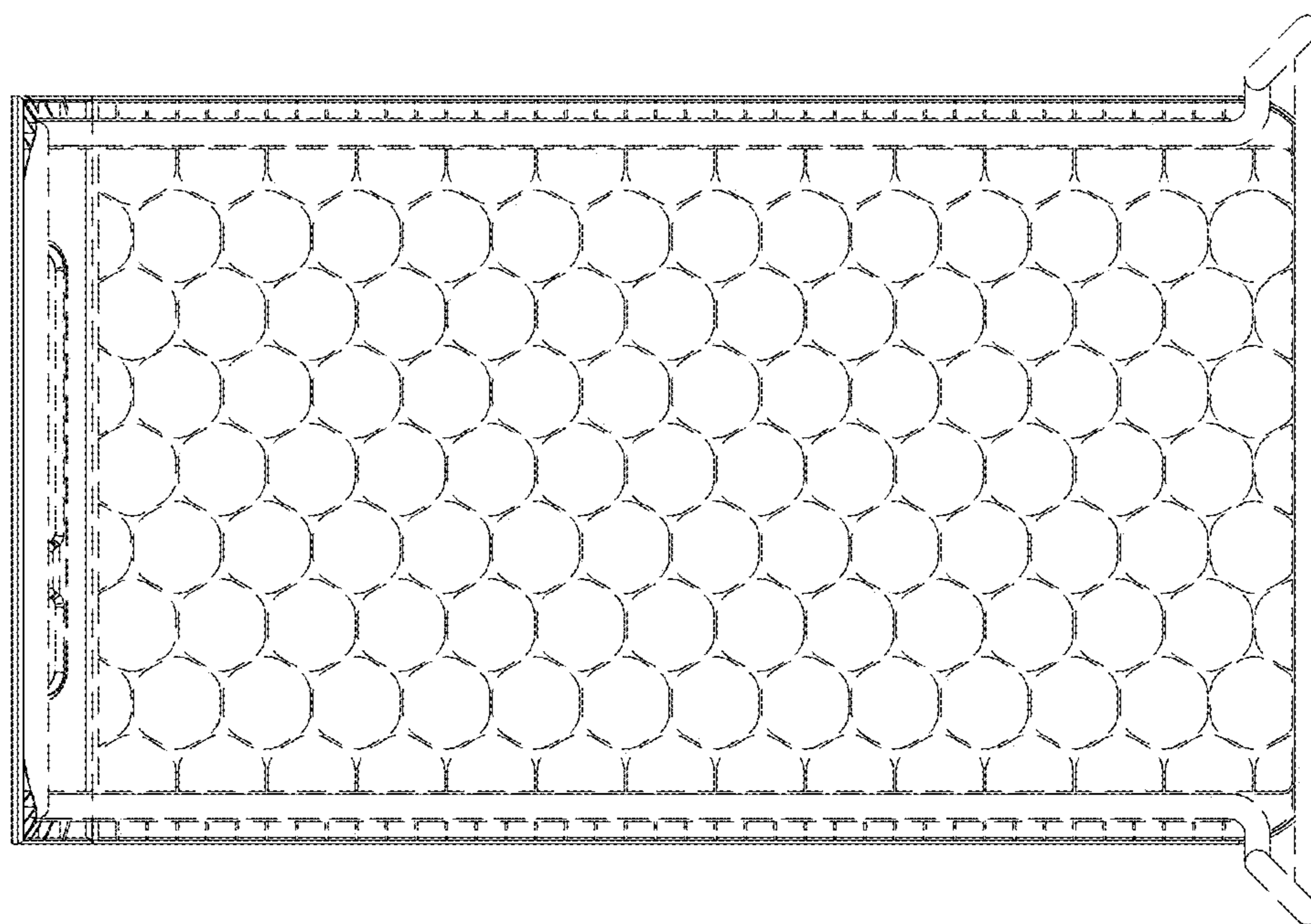


FIG. 6

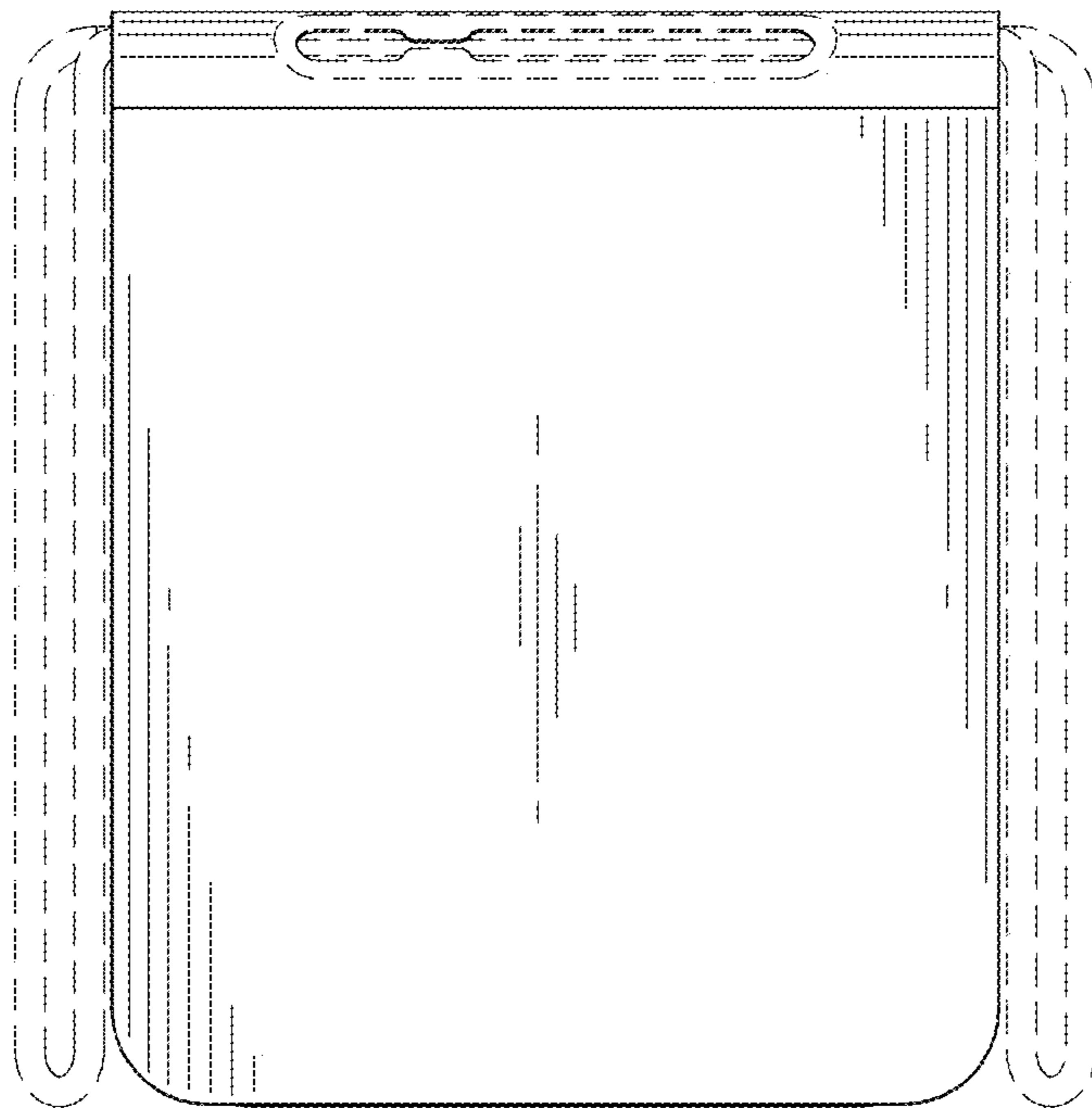


FIG. 7

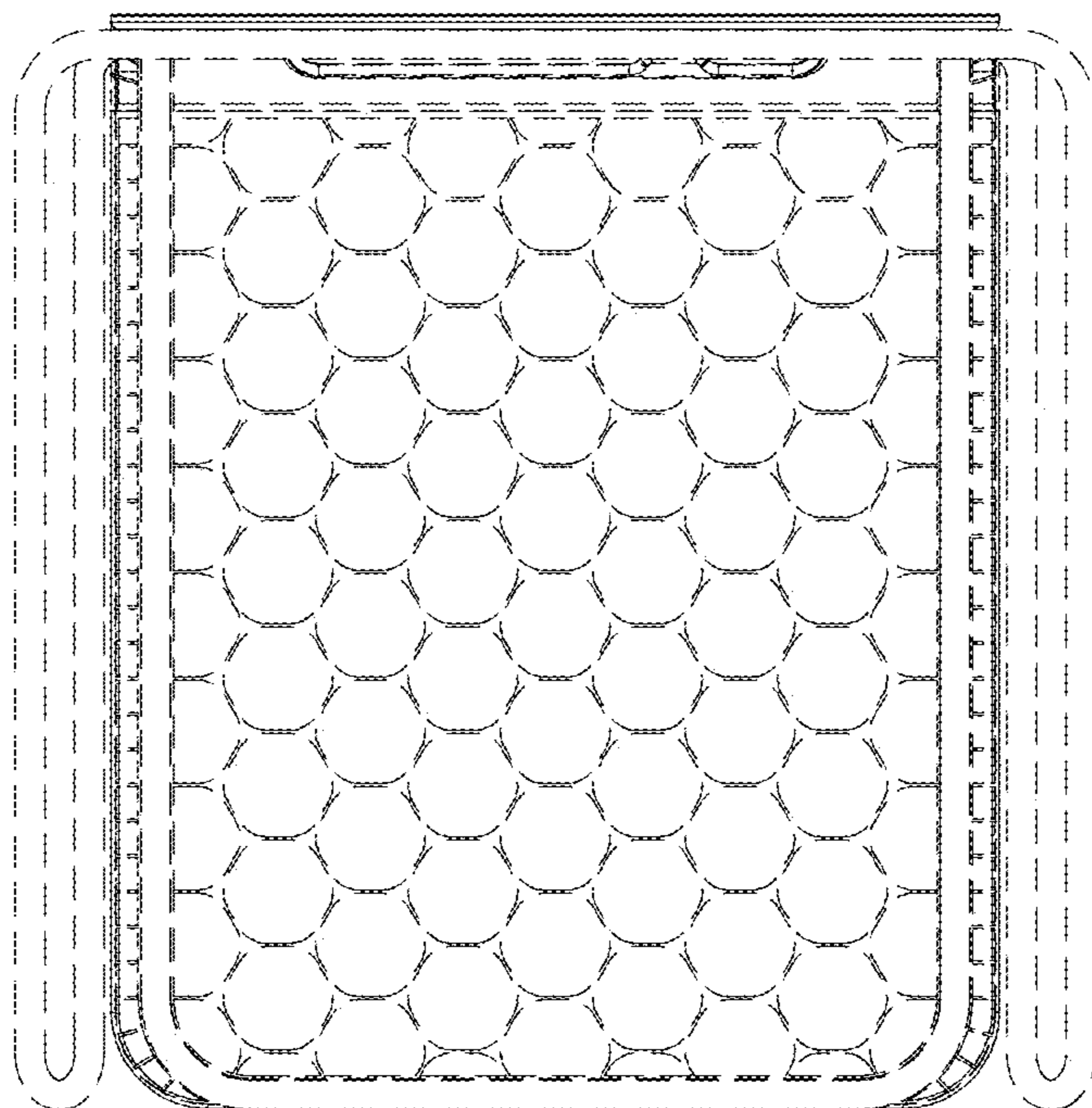


FIG. 8

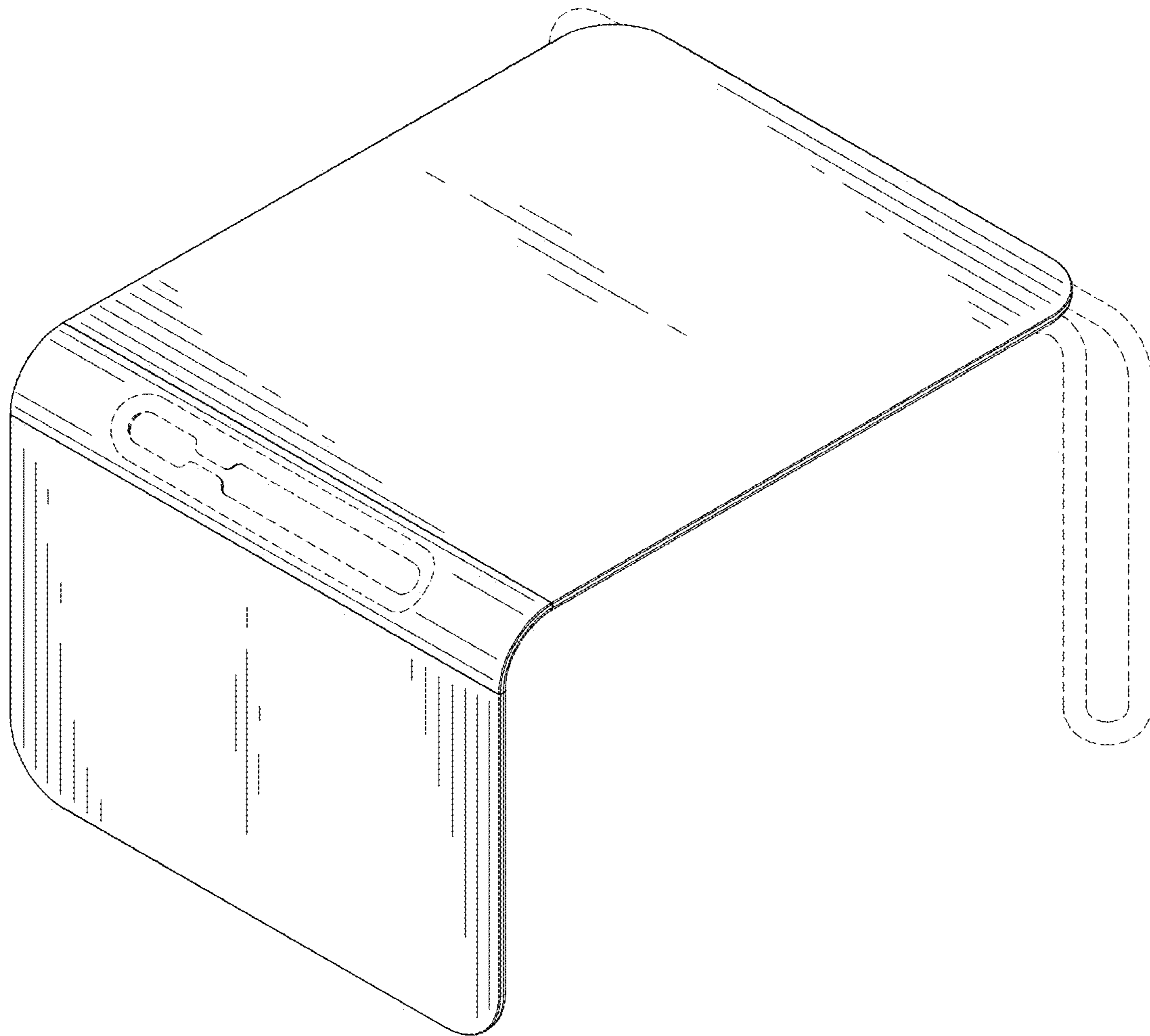


FIG. 9

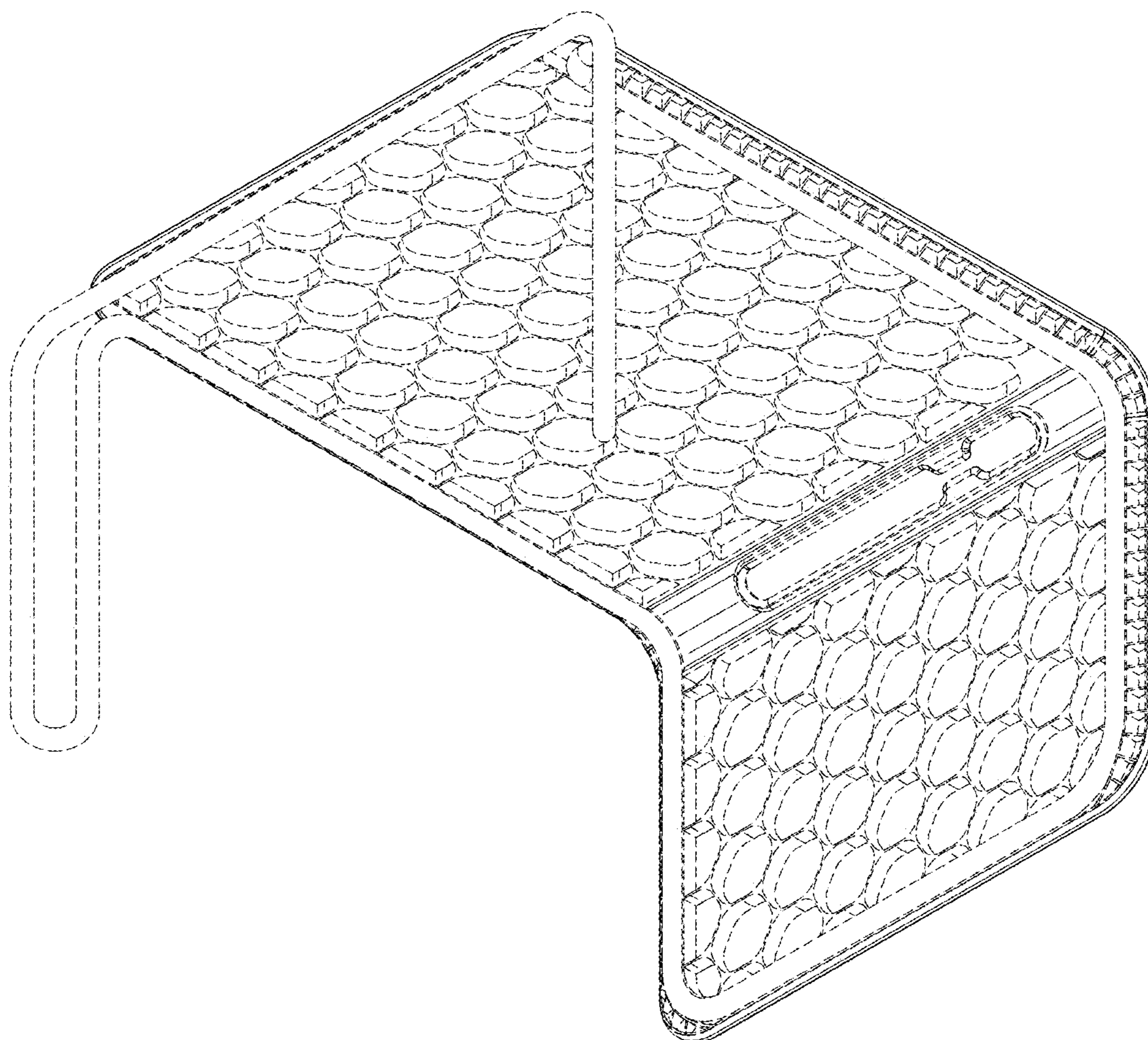


FIG. 10



FIG. 11

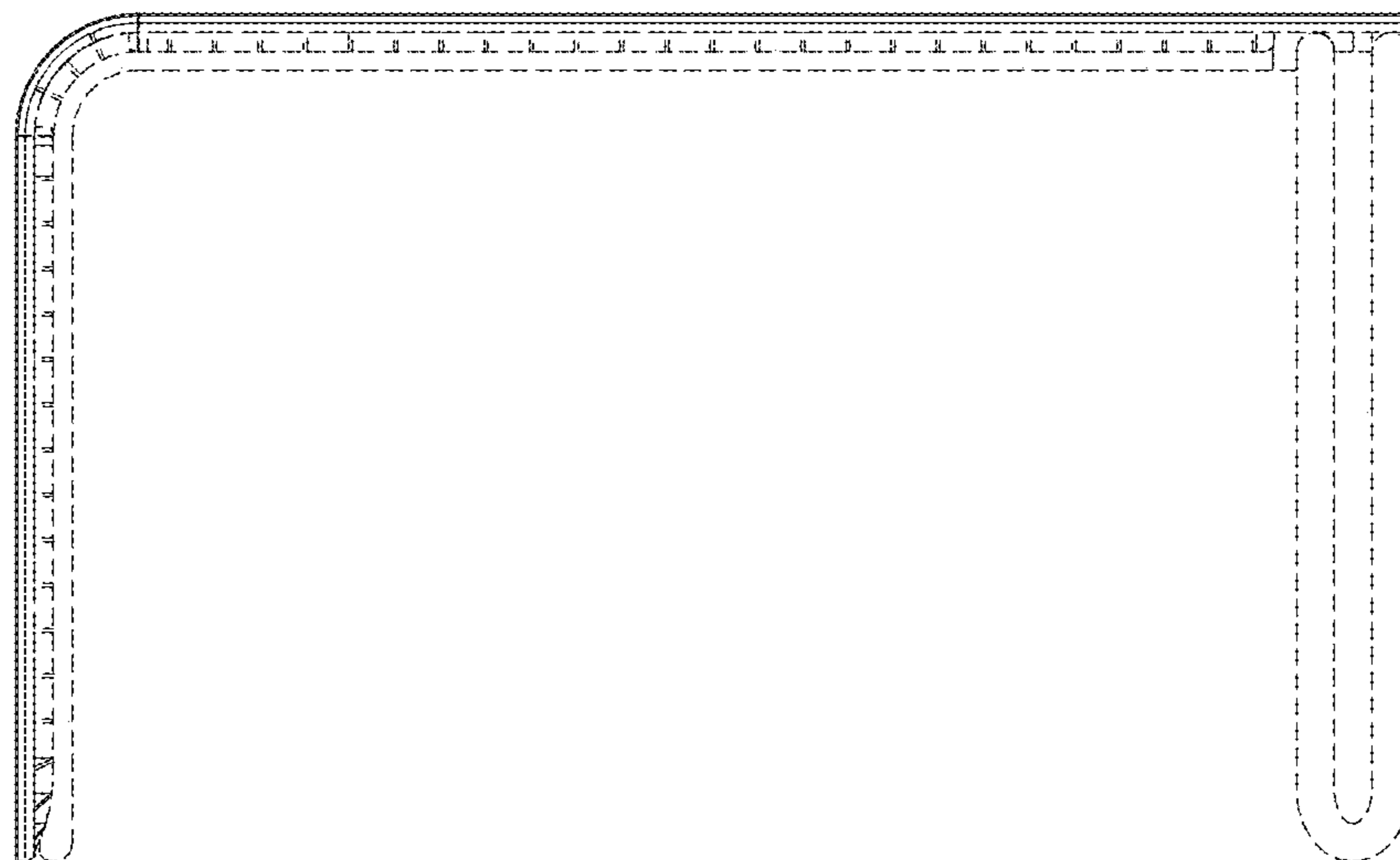


FIG. 12

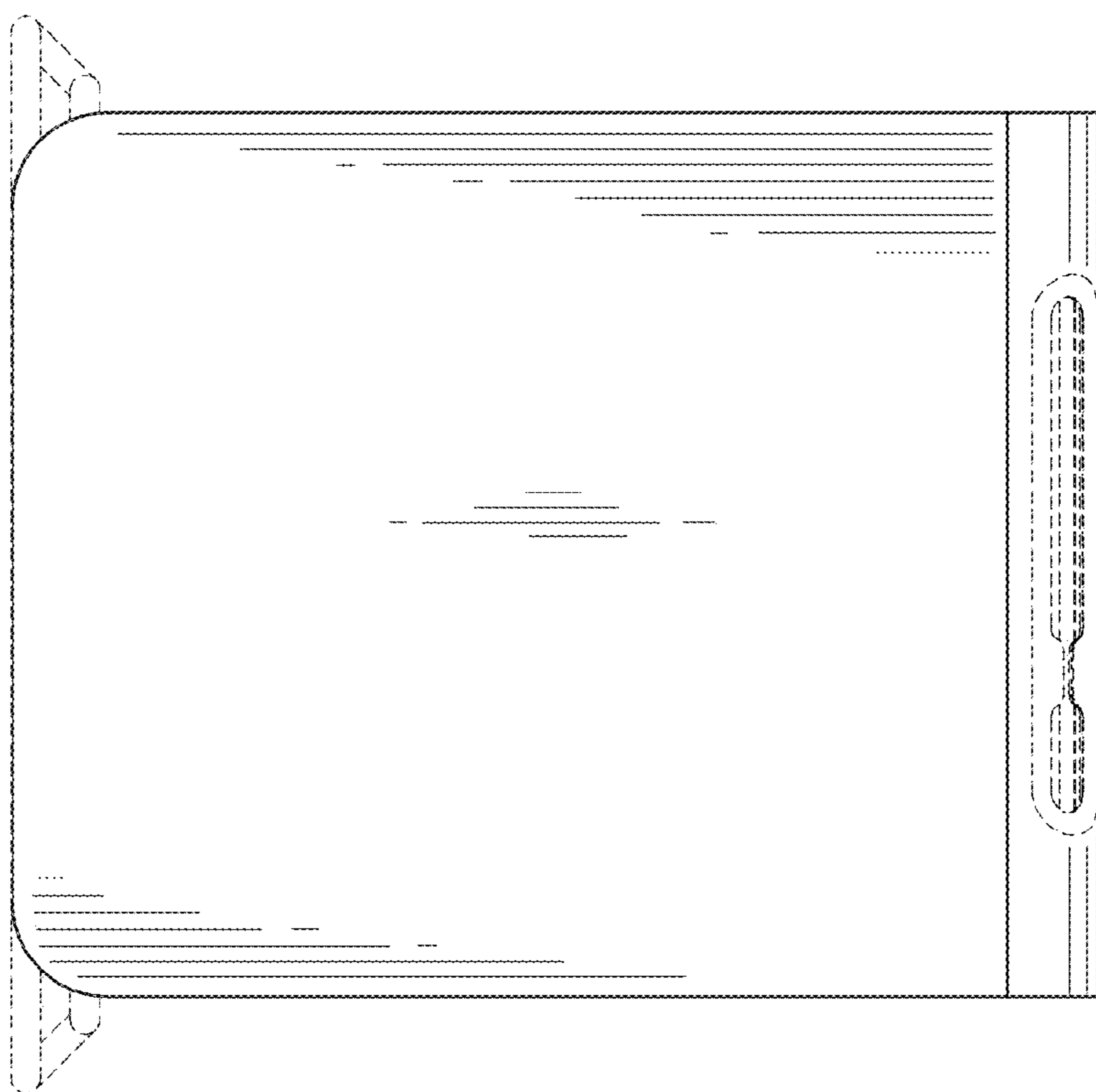


FIG. 13

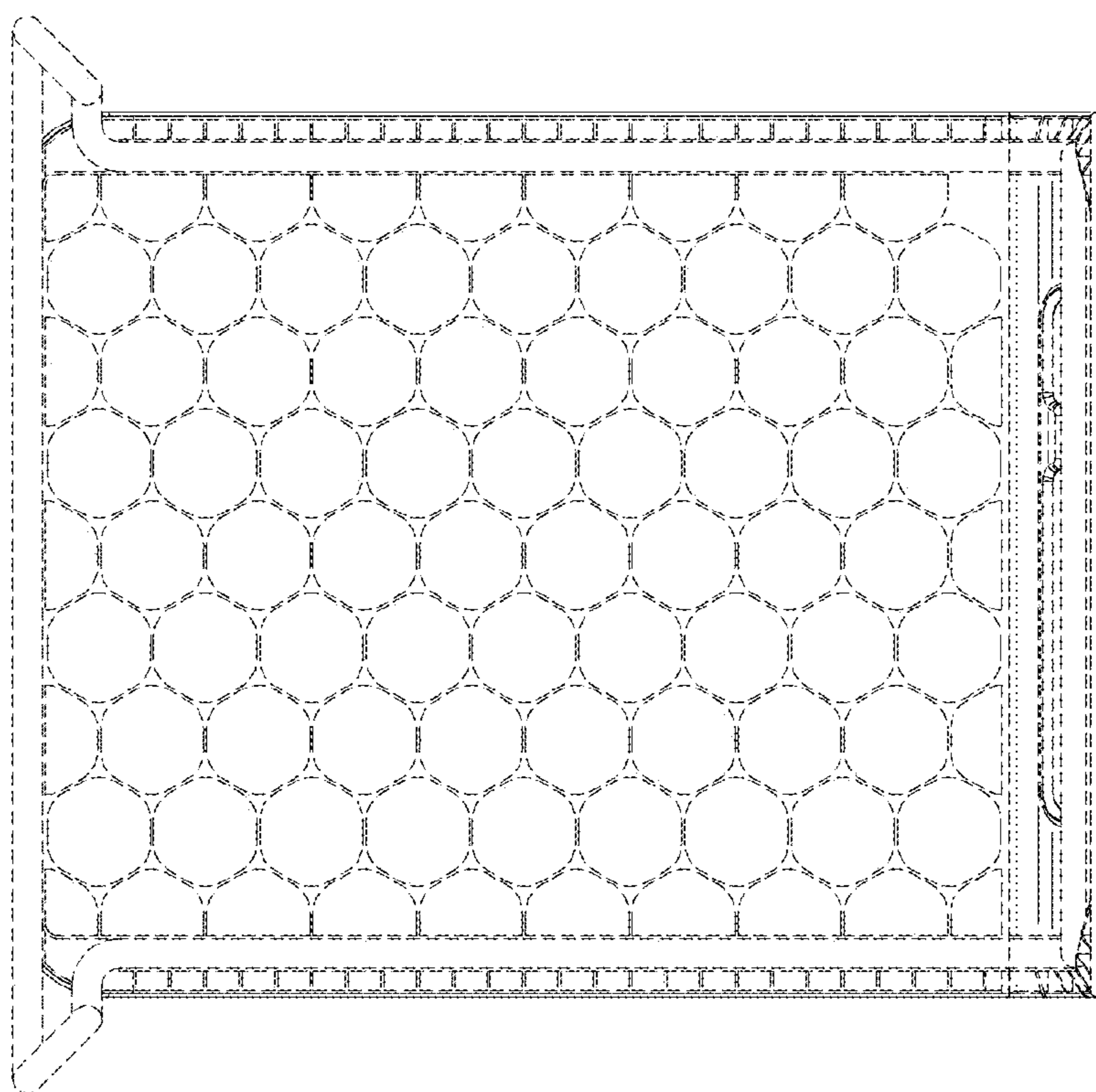


FIG. 14

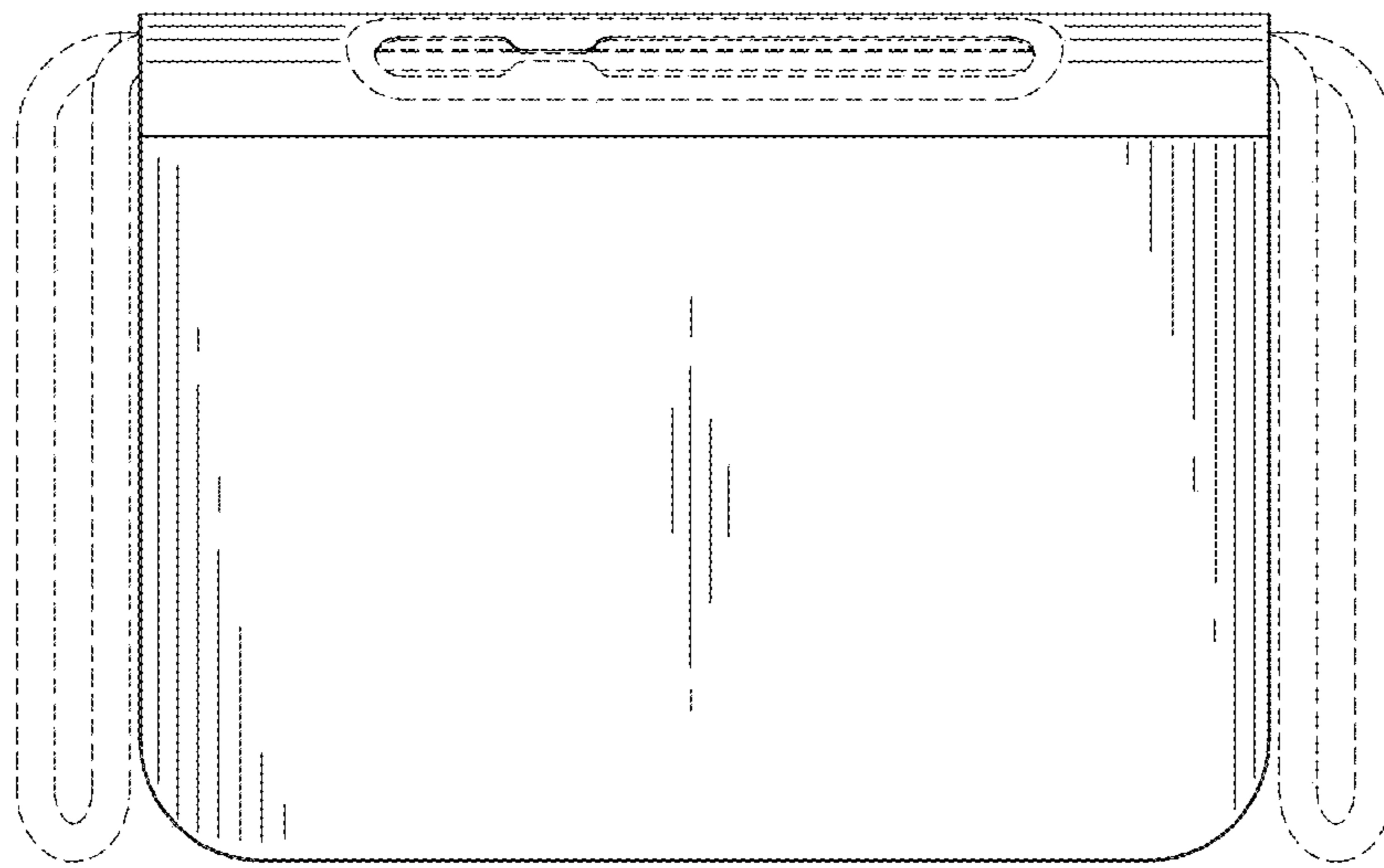


FIG. 15

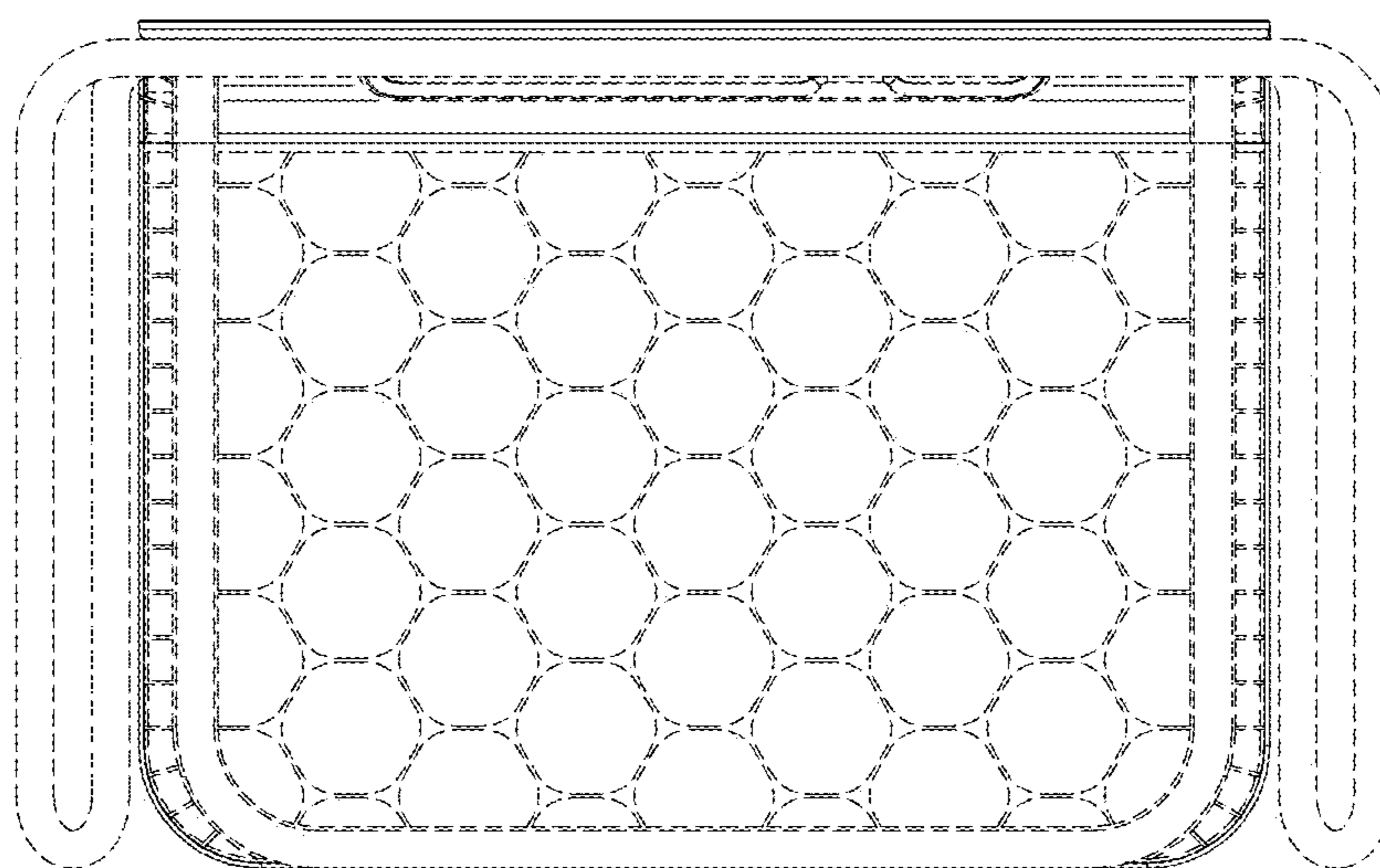


FIG. 16