



US00D903378S

(12) **United States Design Patent** (10) **Patent No.:** **US D903,378 S**  
**Johnston** (45) **Date of Patent:** **\*\* Dec. 1, 2020**

(54) **TRAVEL BLANKET WITH INTEGRATED CASE AND LUGGAGE STRAP**  
(71) Applicant: **Doris Johnston**, Irvine, CA (US)  
(72) Inventor: **Doris Johnston**, Irvine, CA (US)  
(73) Assignee: **BLUE HILLS CORP.**, Irvine, CA (US)  
(\*\*) Term: **15 Years**

(21) Appl. No.: **29/696,668**

(22) Filed: **Jun. 28, 2019**

(51) **LOC (12) Cl.** ..... **06-13**

(52) **U.S. Cl.**  
USPC ..... **D6/603**

(58) **Field of Classification Search**  
USPC ..... D6/582-583, 587-592, 595-609, D6/617-622; D2/719  
CPC ..... A47G 9/00; A47G 2009/001; A47G 2009/002; A47G 2009/003; A47G 2009/005; A47G 2009/006; A47G 9/02; A47G 9/0215; A47G 9/0223; A47G 9/023; A47G 9/0238; A47G 9/06; A47G 9/062; A47G 9/066; A47G 9/068; A47G 9/0248; A47G 9/08; A47G 9/04; A47G 11/002; A47G 11/001; A47G 11/003  
See application file for complete search history.

(56) **References Cited**

**U.S. PATENT DOCUMENTS**

5,463,783 A \* 11/1995 Pope ..... A41D 15/04 2/88  
5,629,071 A \* 5/1997 Feldman ..... A45C 3/10 383/4  
6,243,873 B1 \* 6/2001 Aliff ..... A41D 3/08 2/84  
6,275,993 B1 \* 8/2001 McCarley ..... A41D 3/08 2/209.11  
6,408,462 B1 6/2002 Moore  
6,634,041 B2 \* 10/2003 Higashi ..... A45C 3/10 383/4

D493,657 S \* 8/2004 Farago ..... D6/608  
6,952,845 B1 \* 10/2005 Akkad ..... A45F 4/02 383/4  
7,111,343 B1 \* 9/2006 Bates ..... A45C 9/00 383/4  
D688,442 S \* 8/2013 Lesinski ..... D2/719  
8,936,140 B2 1/2015 Herold  
9,820,544 B2 11/2017 Farrelly  
(Continued)

**FOREIGN PATENT DOCUMENTS**

EP 2918196 A1 9/2015  
WO WO2009120020 A2 10/2009

**OTHER PUBLICATIONS**

Item sold by other—Smart Blanket The Convenient Wearable Throw Blanket—[https://www.amazon.com/Smart-Blanket-Convenient-Wearable-Throw/dp/B073X6NCVC/ref=sr\\_1\\_2?keywords=Smart+Blanket+The+Convenient+Wearable+Throw+Blanket&qid=1561566134&s=gateway&sr=8-2](https://www.amazon.com/Smart-Blanket-Convenient-Wearable-Throw/dp/B073X6NCVC/ref=sr_1_2?keywords=Smart+Blanket+The+Convenient+Wearable+Throw+Blanket&qid=1561566134&s=gateway&sr=8-2).

*Primary Examiner* — Jennifer L Rempfer  
(74) *Attorney, Agent, or Firm* — John K. Park; Park Law Firm

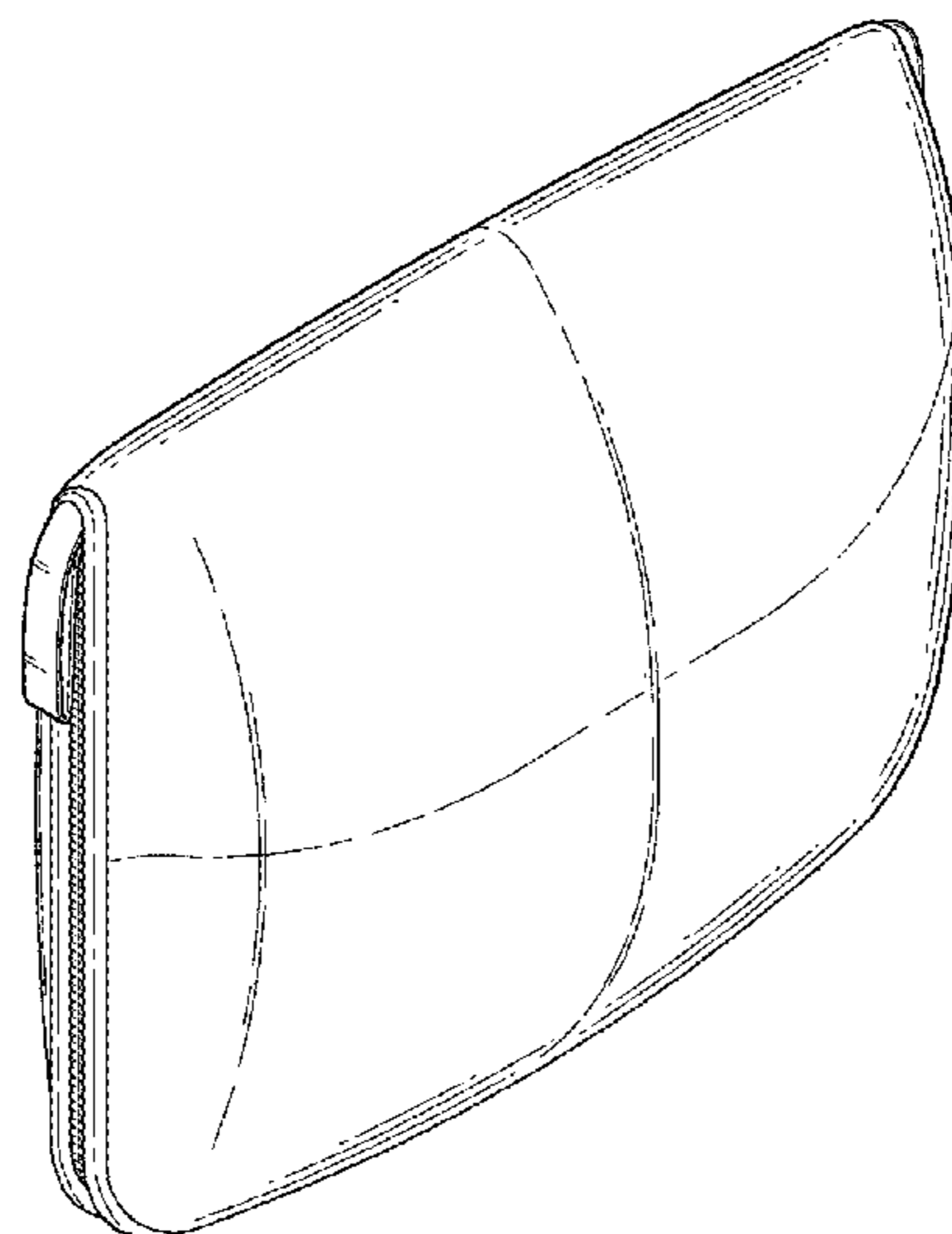
(57) **CLAIM**

The ornamental design for a travel blanket with integrated case and luggage strap, as shown and described.

**DESCRIPTION**

FIG. 1 is a perspective view of a travel blanket with integrated case and luggage strap showing my new design; FIG. 2 is a front plan view thereof; FIG. 3 is a rear plan view thereof; FIG. 4 is a left-side plan view thereof; FIG. 5 is a right-side plan view thereof; FIG. 6 is a top plan view thereof; and, FIG. 7 is a bottom plan view thereof. The broken line showing environment is for illustrative purposes only and forms no part of the claimed design.

**1 Claim, 4 Drawing Sheets**



(56)

**References Cited**

U.S. PATENT DOCUMENTS

D833,109 S 11/2018 Hoffman  
D834,352 S \* 11/2018 Oyekan ..... D6/608  
10,231,560 B2 \* 3/2019 Carlile ..... A47G 9/0223  
D850,158 S \* 6/2019 Daniels ..... D6/603

\* cited by examiner

FIG. 1

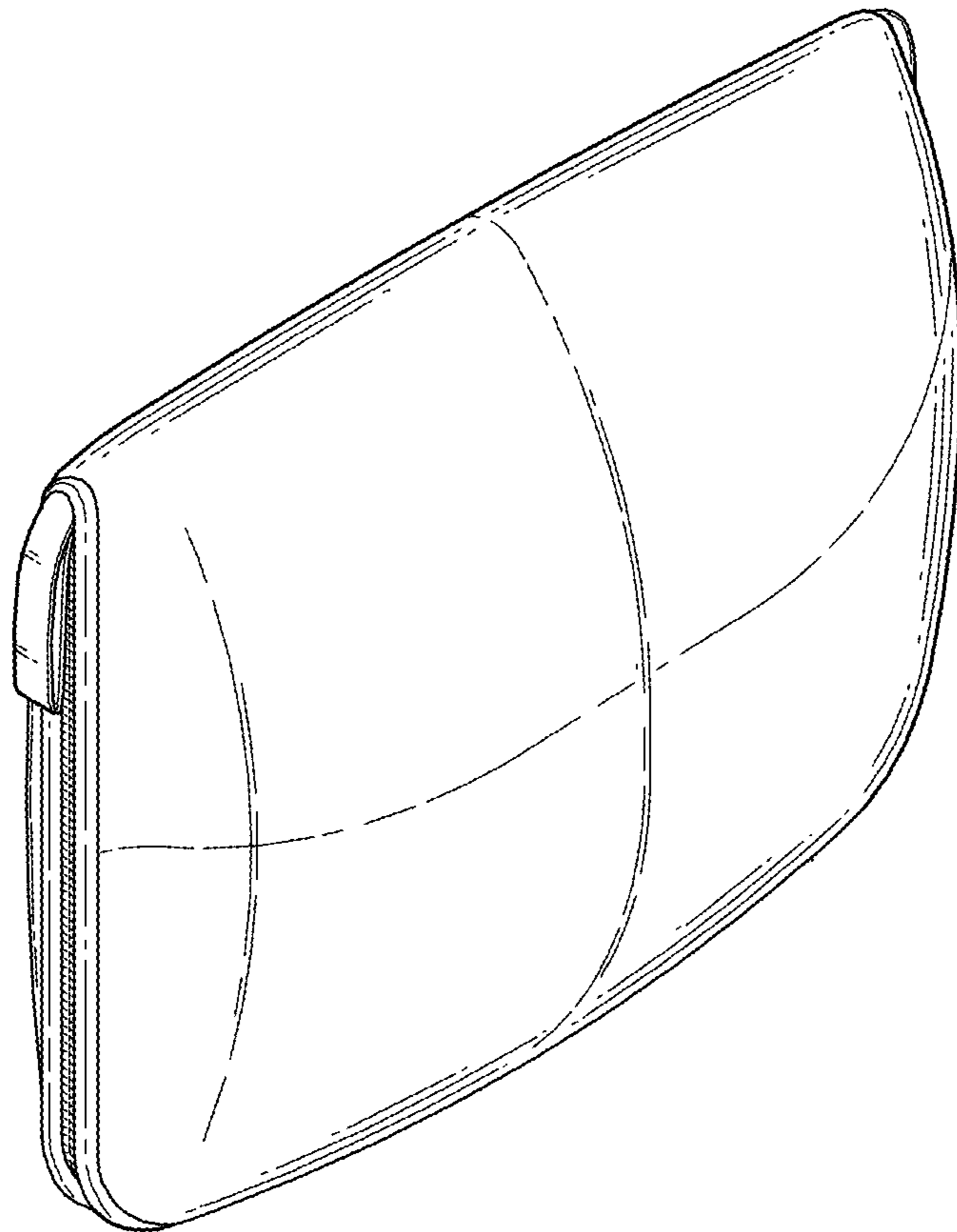


FIG. 2

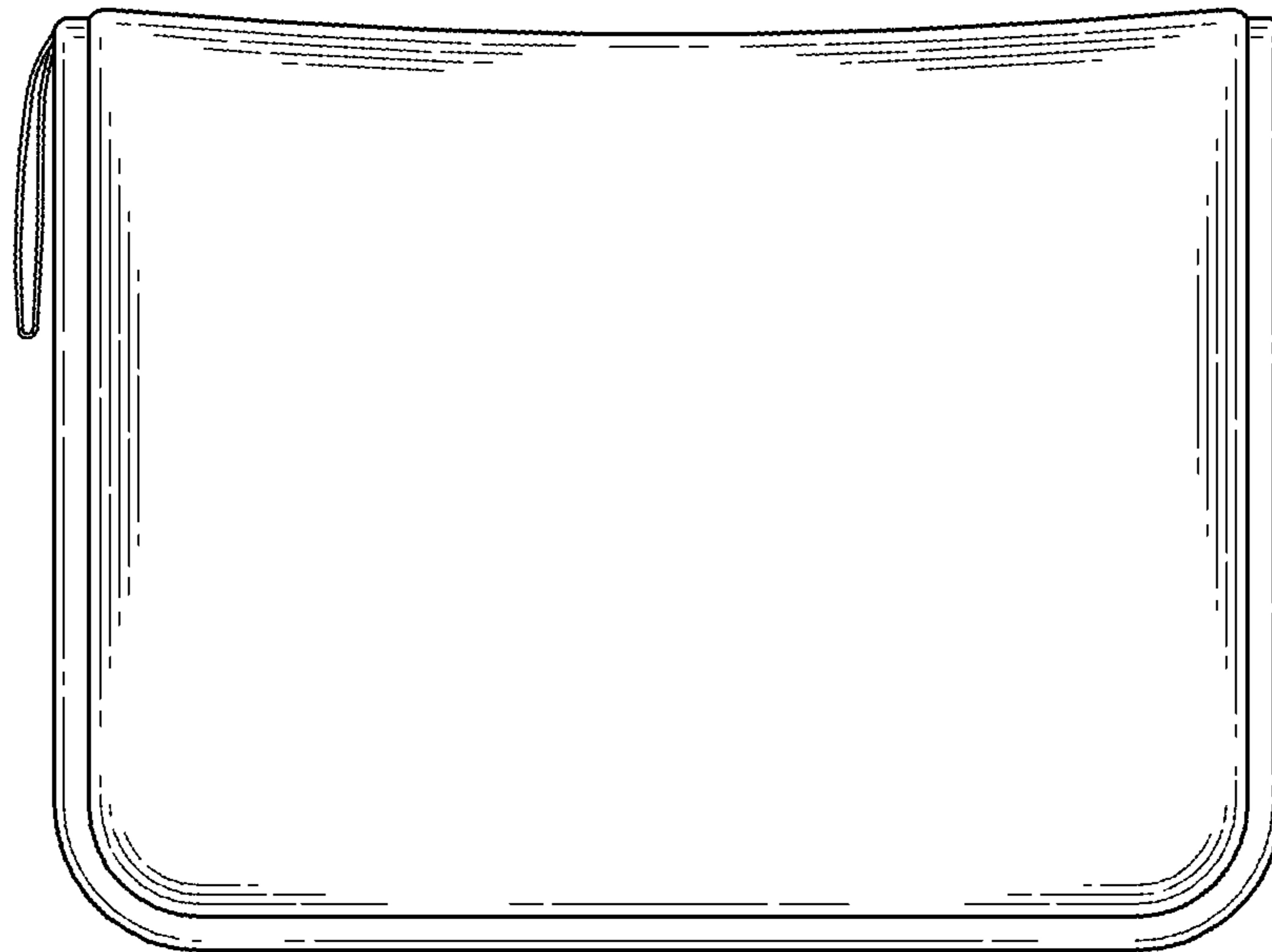


FIG. 3

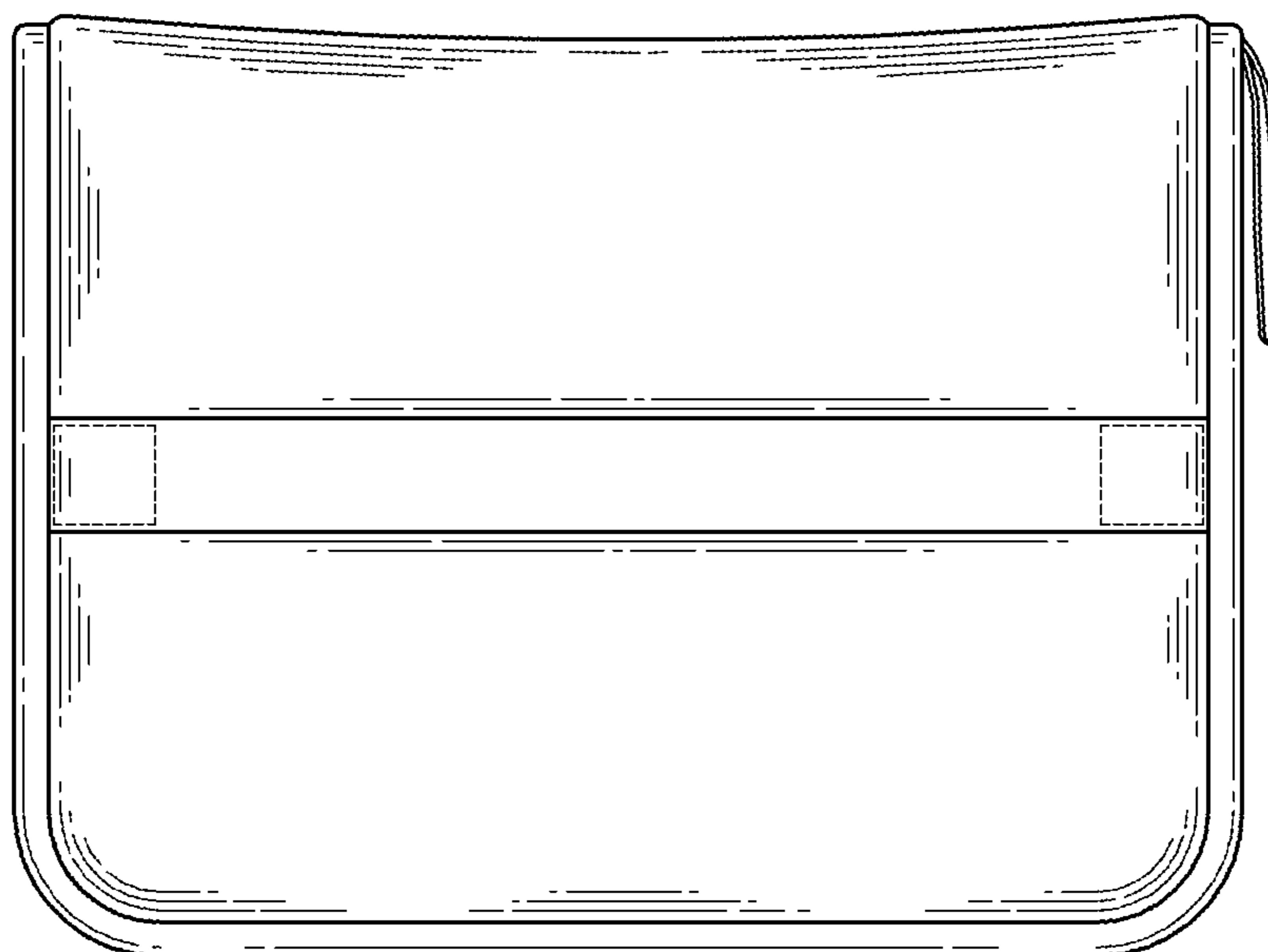


FIG. 4

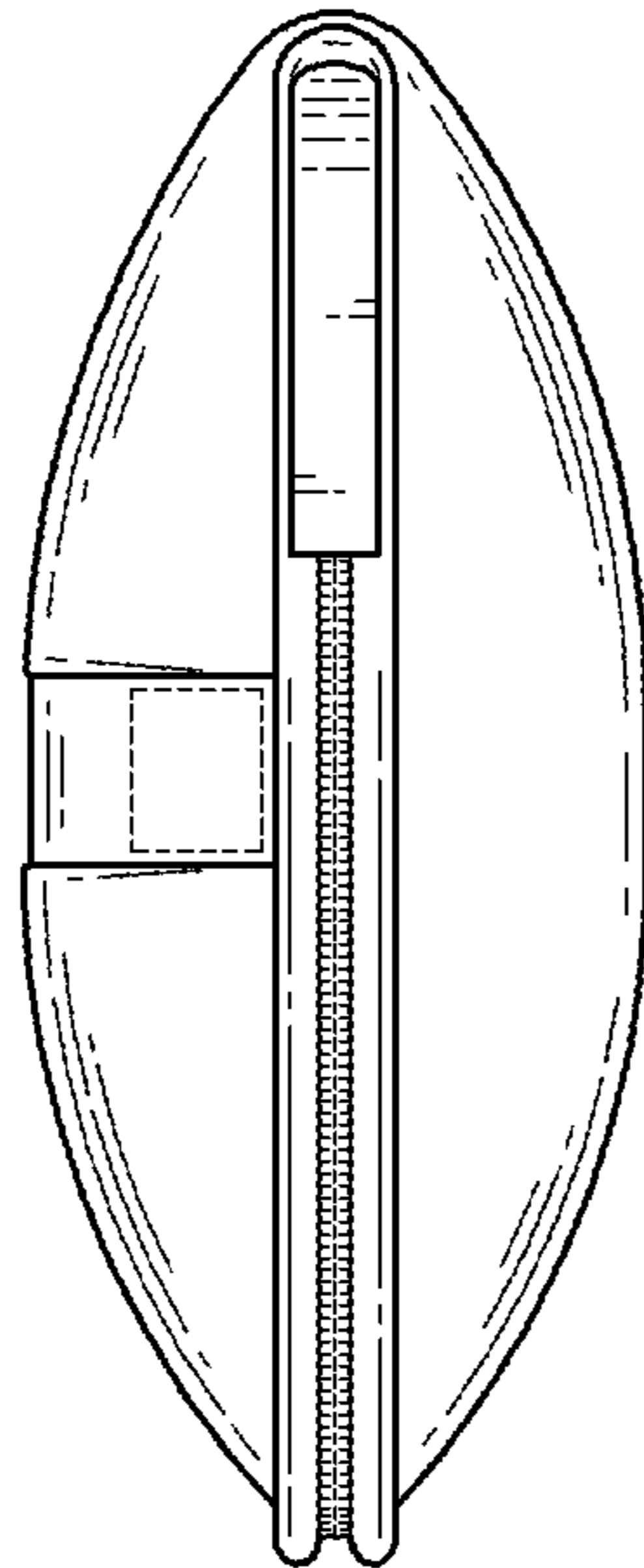


FIG. 5

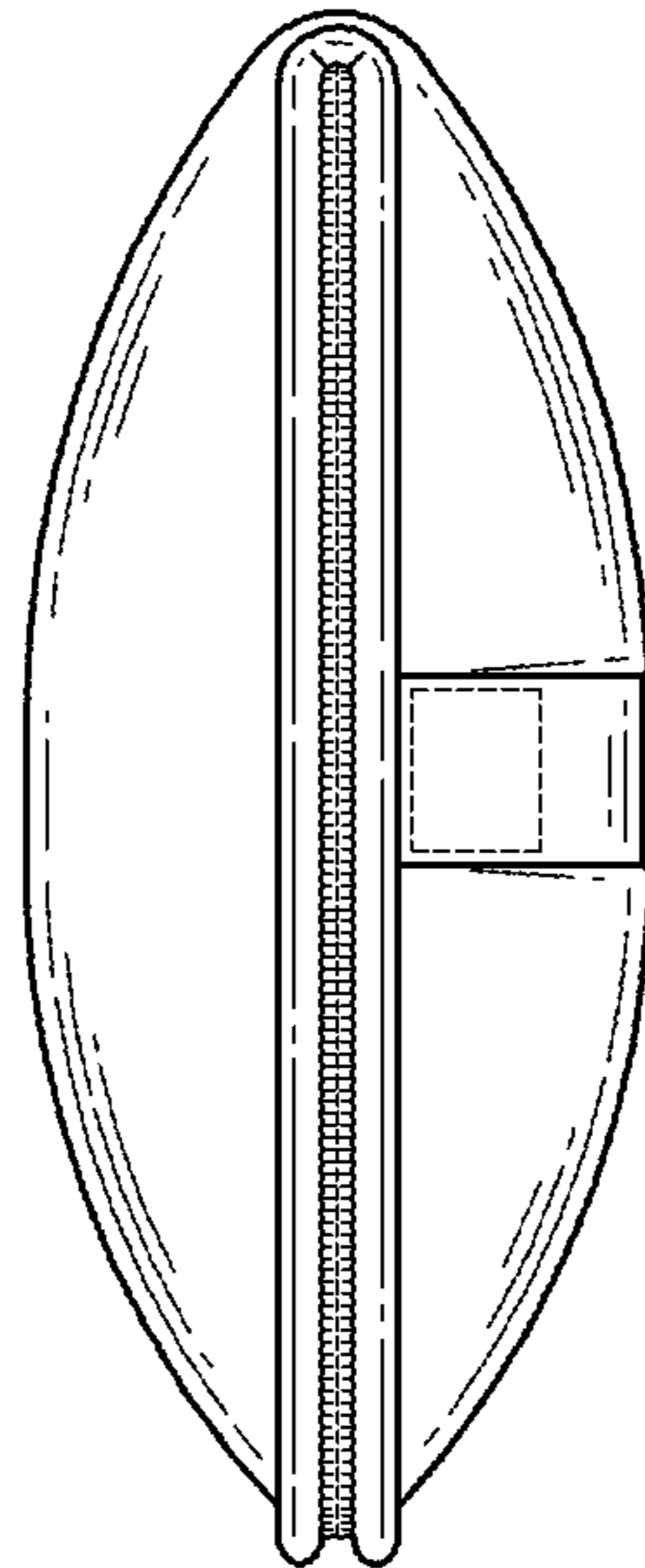


FIG. 6

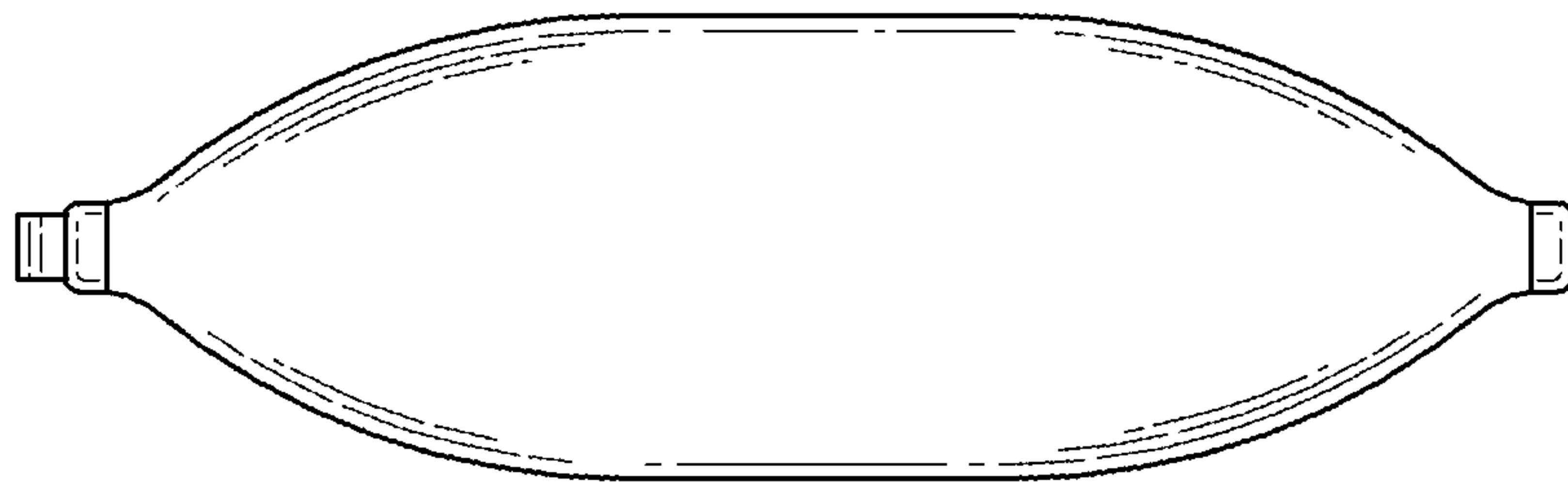


FIG. 7

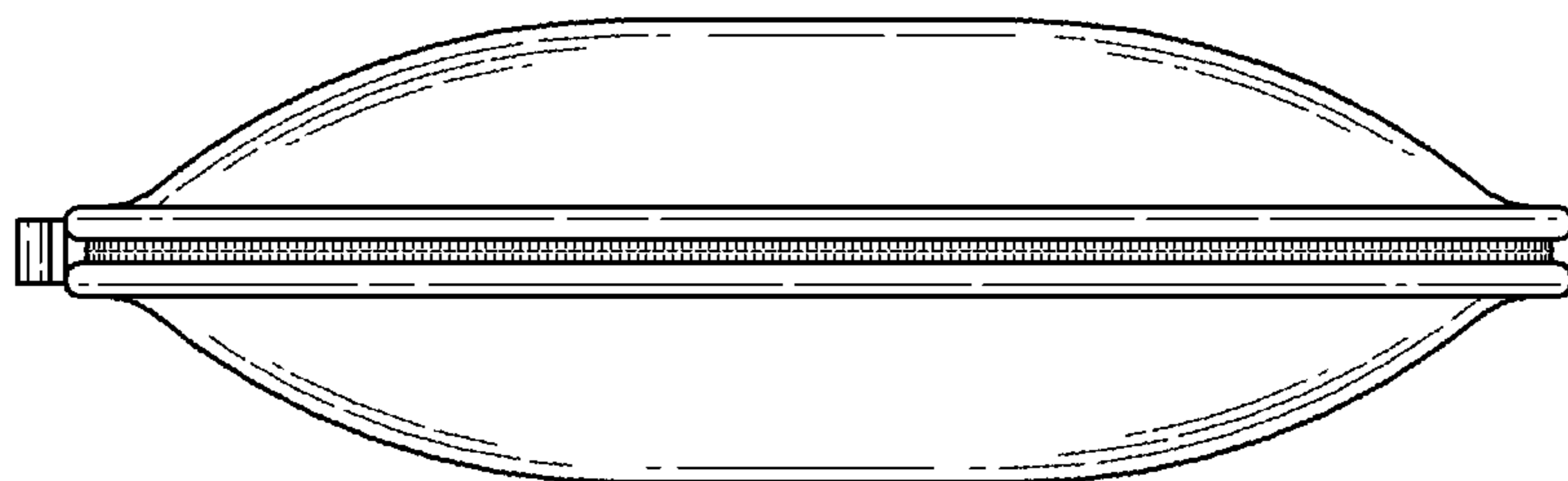


FIG. 8

