

US00D903377S

(12) **United States Design Patent** (10) **Patent No.:** **US D903,377 S**
Yin (45) **Date of Patent:** **** Dec. 1, 2020**

(54) **GEL CUSHION**
(71) Applicant: **Shenzhen Supertempo Digital Technology Co. LTD, Guangdong (CN)**
(72) Inventor: **Donggui Yin, Guangdong (CN)**
(73) Assignee: **Shenzhen Supertempo Digital Technology Co. LTD, Guangdong (CN)**
(**) Term: **15 Years**
(21) Appl. No.: **29/745,388**
(22) Filed: **Aug. 5, 2020**
(51) **LOC (12) Cl.** **06-09**
(52) **U.S. Cl.**
USPC **D6/601**
(58) **Field of Classification Search**
USPC D6/596, 601, 605, 611; D2/902, 903, D2/904, 905, 906, 907, 908, 961, 617; D21/684, 695; D24/184; D26/2, 85, 88, D26/89, 90, 120, 124
CPC A47L 13/03; B32B 5/28; B32B 5/245; B29C 44/56; B29C 64/35; B29C 64/124; B29C 71/02; B29C 35/02; B29D 99/0092; B65D 81/1075; B33Y 80/00; B33Y 10/00; B33Y 40/00; C08J 9/42; F16K 27/00
See application file for complete search history.

D549,031 S * 8/2007 Berkson D6/601
D606,354 S * 12/2009 Abolkheir D6/601
D639,543 S * 6/2011 Lamont D2/969
D643,125 S * 8/2011 Seidel D24/184
8,784,982 B2 * 7/2014 Pearce B29C 44/56
428/308.4
D731,820 S * 6/2015 Lechantre D6/605
D758,103 S * 6/2016 Mason D6/601
D766,560 S * 9/2016 Granger D2/961
D771,922 S * 11/2016 Granger D2/961
D775,864 S * 1/2017 Bertocello D6/605
D778,567 S * 2/2017 Granger D2/961
D789,118 S 6/2017 Kim
D790,254 S * 6/2017 Brown D6/601
D790,880 S * 7/2017 Wong D6/601
D799,858 S * 10/2017 Pearce D6/605
D805,323 S * 12/2017 Chan D6/601
D806,441 S 1/2018 Pan
D821,080 S * 6/2018 Jones D2/961
D824,649 S * 8/2018 Southernwood D2/961
D840,724 S * 2/2019 Dowd D6/601
D843,134 S * 3/2019 Goddard D6/601

(Continued)

Primary Examiner — Kevin K Rudzinski
Assistant Examiner — Paul D Bohannon
(74) Attorney, Agent, or Firm — ScienBiziP, P.C.

(57) **CLAIM**

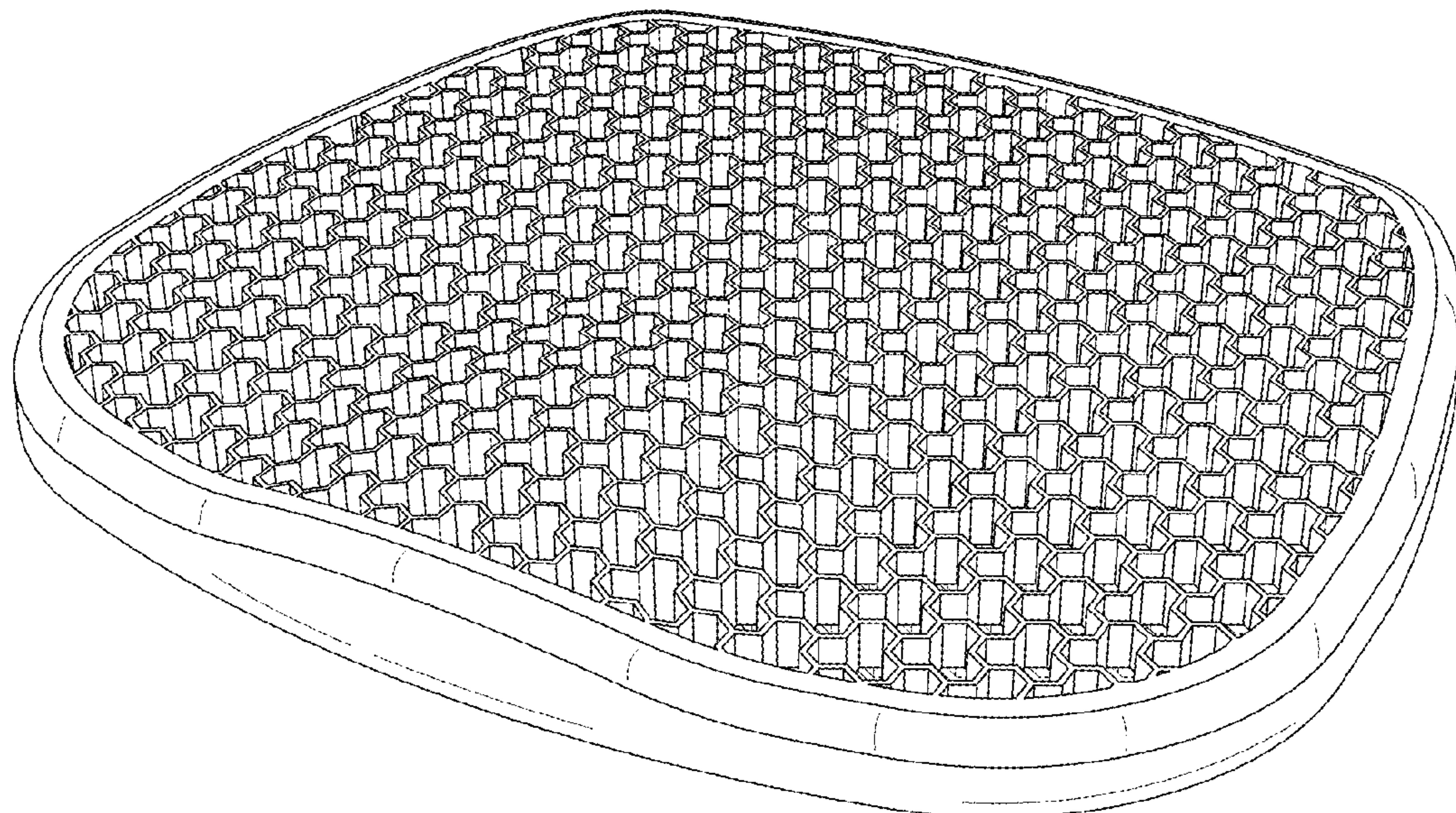
The ornamental design for a gel cushion, as shown and described.

DESCRIPTION

FIG. 1 is a front perspective view of a gel cushion, showing my design.
FIG. 2 is a front elevation view thereof.
FIG. 3 is a rear elevation view thereof.
FIG. 4 is a left side elevation view thereof.
FIG. 5 is a right side elevation view thereof.
FIG. 6 is a top plan view thereof; and,
FIG. 7 is a bottom plan view thereof.

1 Claim, 7 Drawing Sheets

(56) **References Cited**
U.S. PATENT DOCUMENTS
2,958,885 A * 11/1960 Donney A47L 13/03
401/196
5,130,016 A * 7/1992 Gavin E03F 5/06
210/164
D367,090 S * 2/1996 Lien D21/695
D372,158 S * 7/1996 Bonaddio 5/636
D516,855 S * 3/2006 Akamatsu D6/601



(56)

References Cited

U.S. PATENT DOCUMENTS

D854,790 S * 7/2019 Bloor D2/902
 10,384,394 B2 * 8/2019 McCluskey F16K 27/00
 D864,613 S * 10/2019 Pearce D6/605
 D876,125 S * 2/2020 Bellot D6/601
 D882,227 S * 4/2020 Braun D2/953
 D885,028 S * 5/2020 Yu D2/959
 D885,085 S * 5/2020 Dowd D6/601
 2009/0317600 A1 * 12/2009 Lee A47C 7/282
 428/193
 2010/0314929 A1 * 12/2010 Hsu A47C 27/15
 297/452.48
 2011/0064911 A1 * 3/2011 Kuo A43B 13/187
 428/131
 2011/0094037 A1 * 4/2011 Chen A47C 7/021
 5/655.5
 2011/0101746 A1 * 5/2011 Chen A47C 7/402
 297/230.14
 2011/0169321 A1 * 7/2011 Jung A47C 31/023
 297/452.64
 2012/0005821 A1 * 1/2012 Fowkes A47K 3/002
 4/581
 2014/0144045 A1 * 5/2014 Padilla A43B 3/0042
 36/28
 2015/0108799 A1 * 4/2015 Jones B60N 2/6027
 297/219.1
 2016/0286896 A1 * 10/2016 Biancucci A43B 13/223
 2017/0254003 A1 * 9/2017 Pearce D04B 1/02
 2018/0009977 A1 * 1/2018 Kim C08L 91/00
 2020/0198500 A1 * 6/2020 Woo B60N 2/0284
 2020/0237098 A1 * 7/2020 VandenBos A47C 9/00

* cited by examiner

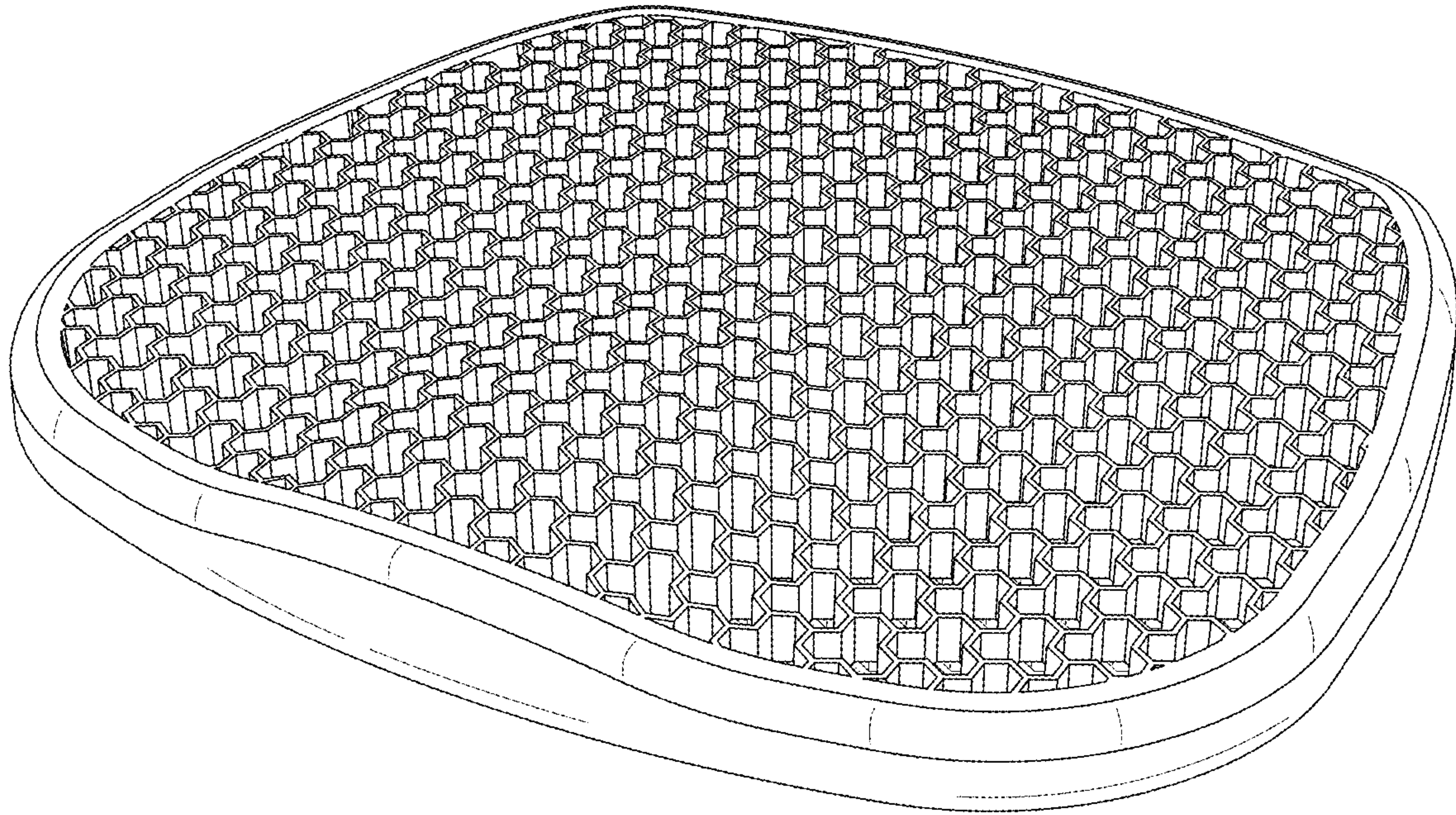


FIG. 1

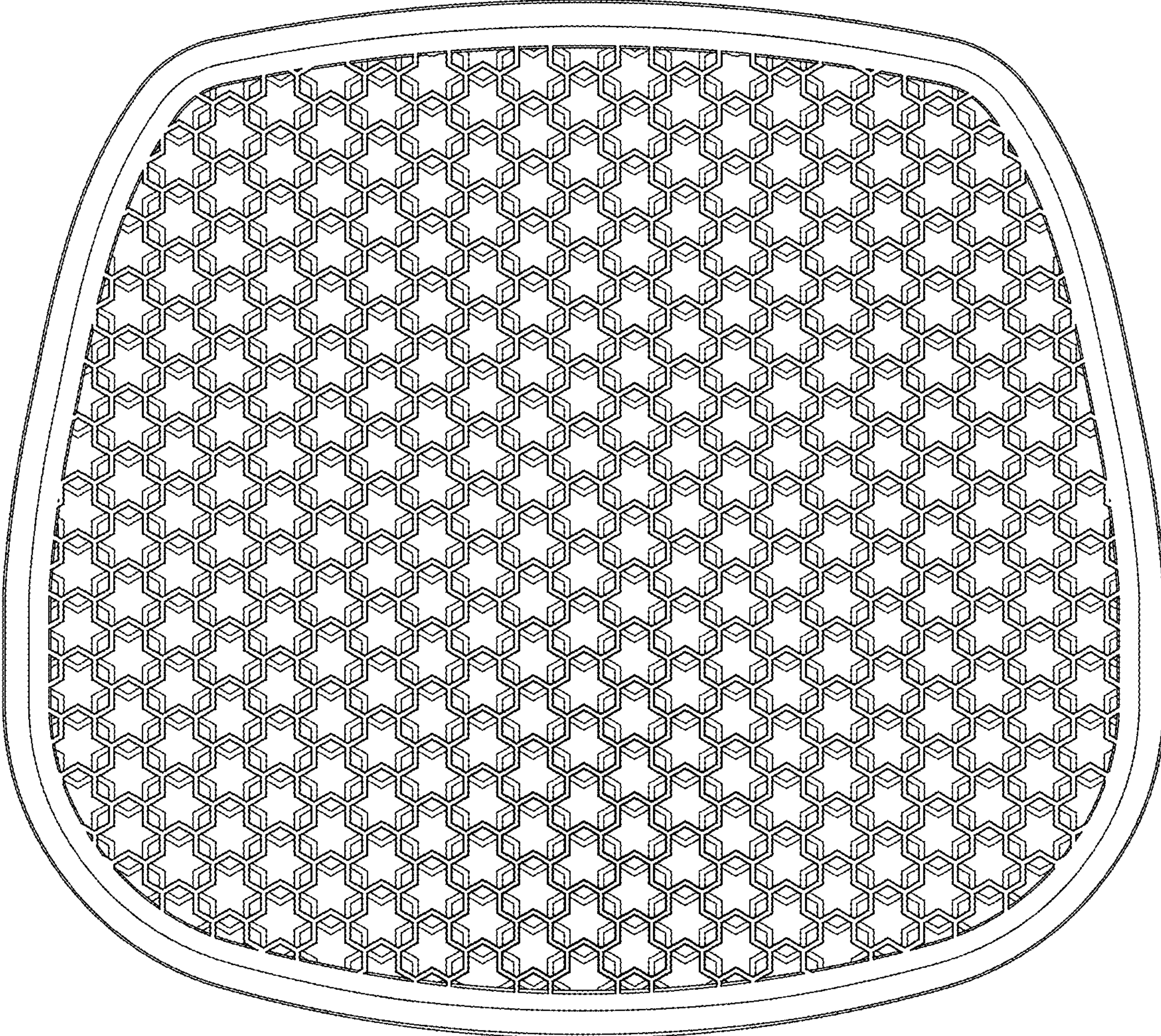


FIG.2

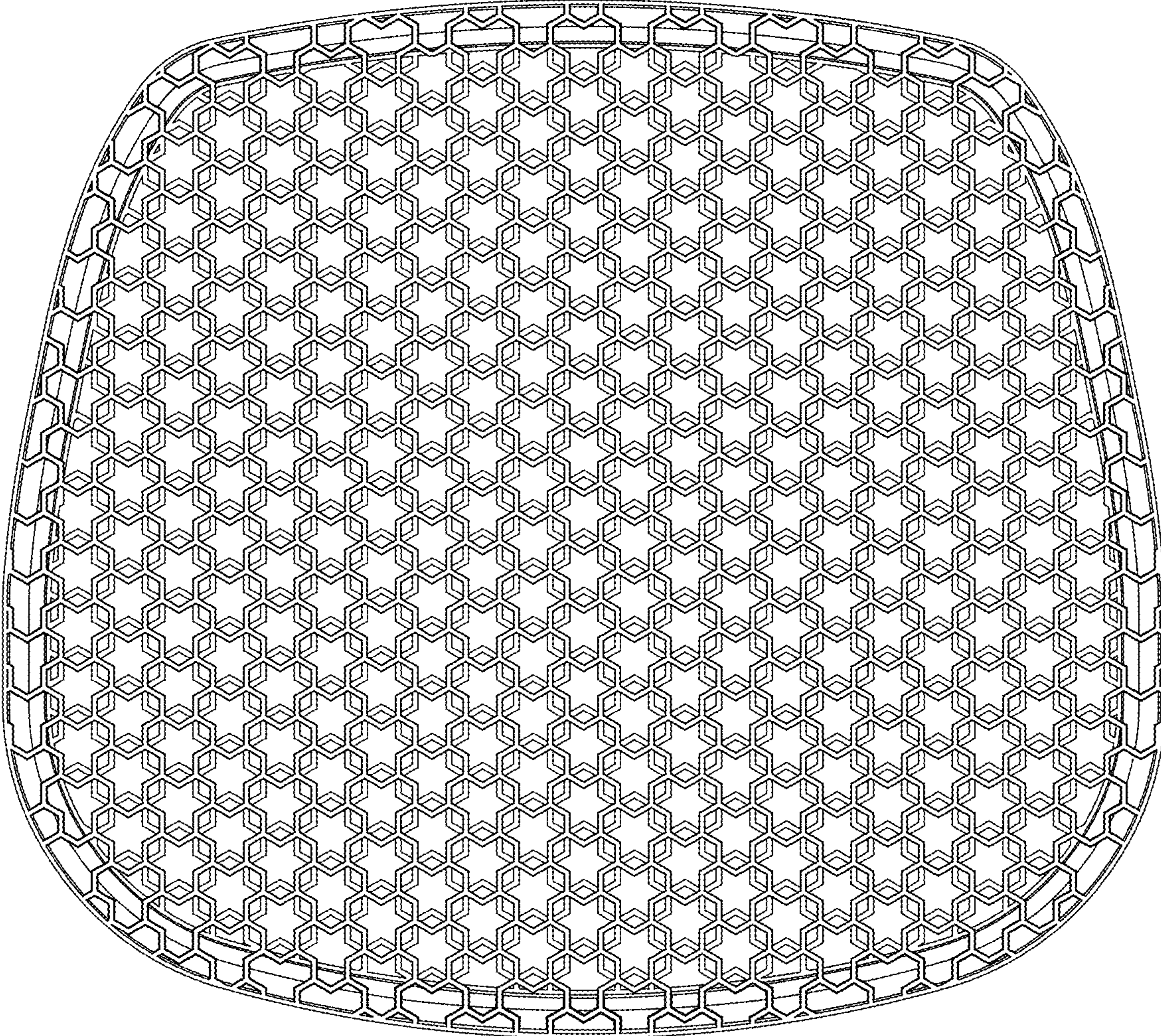


FIG.3



FIG.4



FIG.5

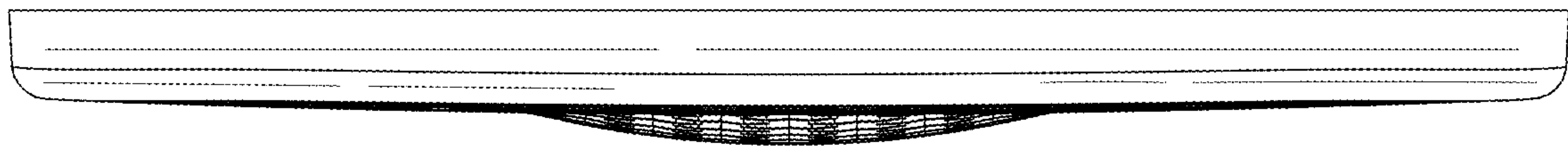


FIG.6

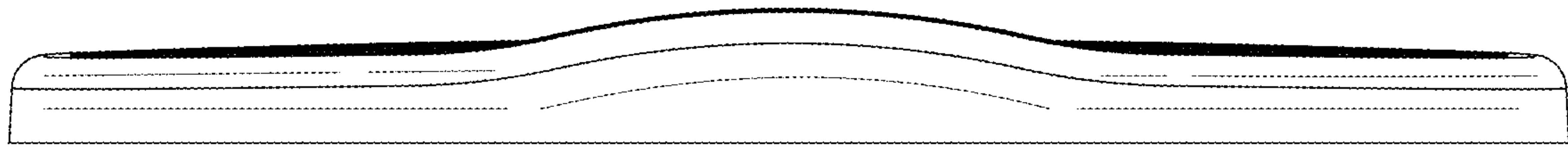


FIG.7