



US00D903372S

(12) **United States Design Patent** (10) **Patent No.:** **US D903,372 S**
Stanley (45) **Date of Patent:** **** Dec. 1, 2020**

(54) **WINDOW COVER**

(71) Applicant: **Timothy E. Stanley**, Greensboro, NC (US)

(72) Inventor: **Timothy E. Stanley**, Greensboro, NC (US)

(73) Assignee: **Blackout EZ, LLC**, Greensboro, NC (US)

(**) Term: **15 Years**

(21) Appl. No.: **29/642,879**

(22) Filed: **Apr. 3, 2018**

(51) **LOC (12) Cl.** **06-10**

(52) **U.S. Cl.**
USPC **D6/575**

(58) **Field of Classification Search**
USPC D6/575, 578-580
CPC A47H 2023/003; A47H 2023/025; A47H 2201/01; A47H 23/00; A47H 23/01; A47H 23/05; A47H 23/10; A47K 3/38
See application file for complete search history.

(56) **References Cited**

U.S. PATENT DOCUMENTS

5,337,425	A *	8/1994	Hill	A47K 3/38
					160/330
D362,147	S *	9/1995	Voccia	D6/575
D728,264	S *	5/2015	Bacolas	A47H 1/00
					D6/575
9,345,357	B1 *	5/2016	Davila, Jr.	A47H 1/00
D798,767	S *	10/2017	Skinner	E06B 3/7001
					D11/165
D860,682	S *	9/2019	Gaetano	D6/575
D880,897	S *	4/2020	Norton	D6/575
2004/0007335	A1 *	1/2004	Cheng	A47K 3/38
					160/330
2009/0047535	A1 *	2/2009	Crilly	E06B 3/7001
					428/542.6

(Continued)

OTHER PUBLICATIONS

ALP Lockdown Shades by ALP Sewing. sold on alpsewing.com. Accessed on Jun. 6, 2019. (Year: 2019).*

(Continued)

Primary Examiner — Kevin K Rudzinski

Assistant Examiner — Clare Ann Gannon

(74) *Attorney, Agent, or Firm* — Tuggle Duggins P.A.;
Blake P. Hurt

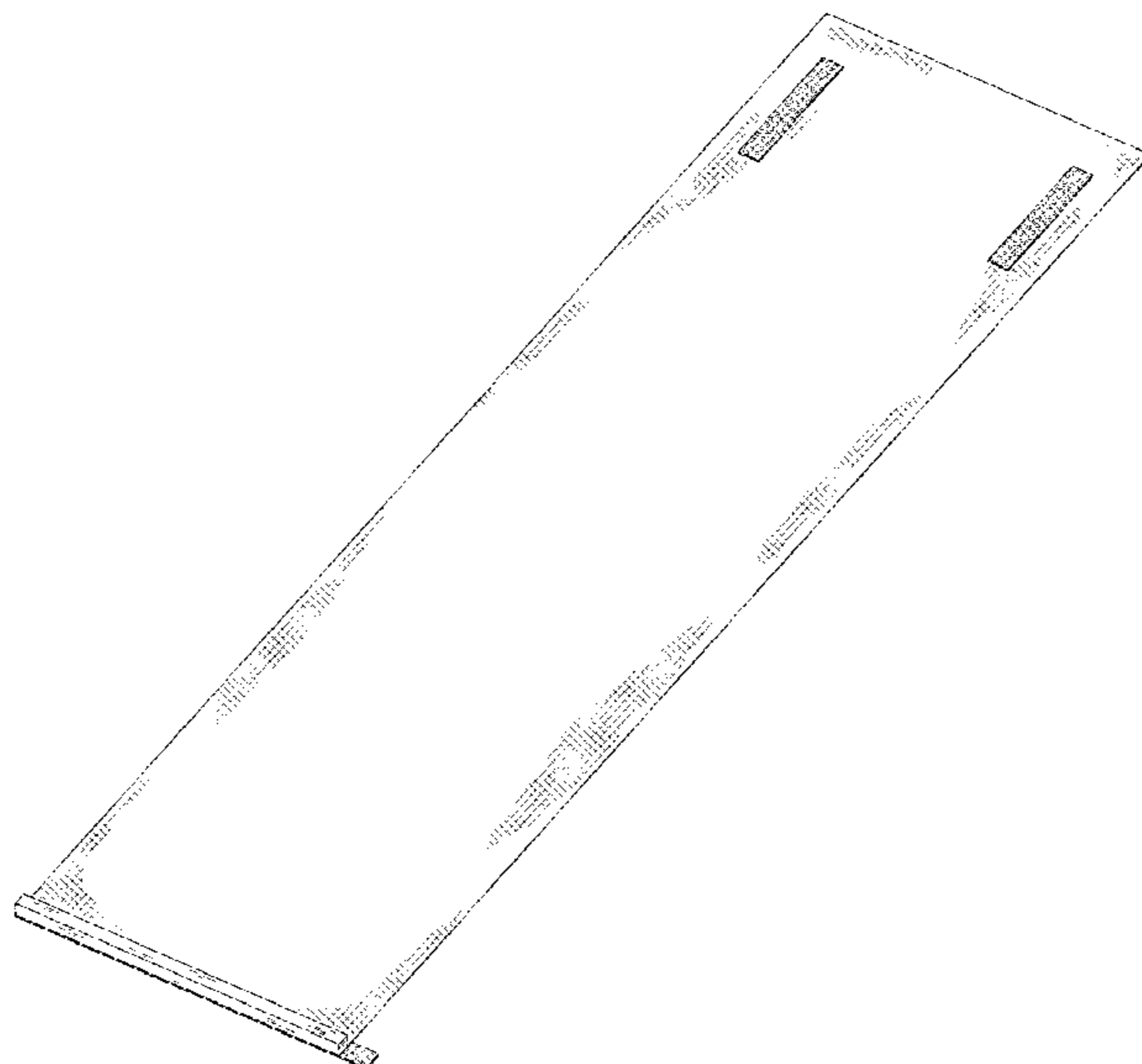
(57) **CLAIM**

The ornamental design for a window cover, as shown and described.

DESCRIPTION

FIG. 1 is a front, perspective view of a window cover showing my new design;
FIG. 2 is a front elevational view thereof;
FIG. 3 is a rear elevational view thereof;
FIG. 4 is a left side elevational view thereof;
FIG. 5 is a right side elevational view of a second embodiment of a window cover shown with break lines, that being the only difference from the embodiment shown in FIGS. 1-4 and 6-7, the break lines symbolizing breaks in the length of the article in which the claimed design is embodied, the appearance of any portion of the article between the break lines forms no part of the claimed design;
FIG. 6 is a bottom plan view thereof;
FIG. 7 is top plan view thereof; and,
FIG. 8 is a front elevational view of a third embodiment of a window cover shown with break lines, that being the only difference from the embodiment shown in FIGS. 1-4 and 6-7, the break lines symbolizing breaks in the width of the article in which the claimed design is embodied, the appearance of any portion of the article between the break lines forms no part of the claimed design.

1 Claim, 8 Drawing Sheets



(56)

References Cited

U.S. PATENT DOCUMENTS

2011/0284172 A1* 11/2011 Seitz A47H 13/00
160/123
2014/0352899 A1* 12/2014 Moolenbeek E06B 9/40
160/368.1
2015/0259973 A1* 9/2015 Beaudoin E06B 9/04
49/394
2016/0362933 A1* 12/2016 Mueller H01L 51/5253

OTHER PUBLICATIONS

“Hideaway Helper Lock Down Shades: The Best Option” School Safety Solutions. Jun. 1, 2018. Accessed on Jun. 6, 2019. (Year: 2018).*

Teacher Window Covers by Gigislovepresents. Sold on etsy.com. Apr. 5, 2019. Accessed on Jun. 6, 2019. (Year: 2019).*

Lockdown Shades for Classroom Doors by GoldenThimbleDesigns. Sold on etsy.com. Apr. 27, 2019. Accessed on Jun. 6, 2019. Year: 2019).*

* cited by examiner

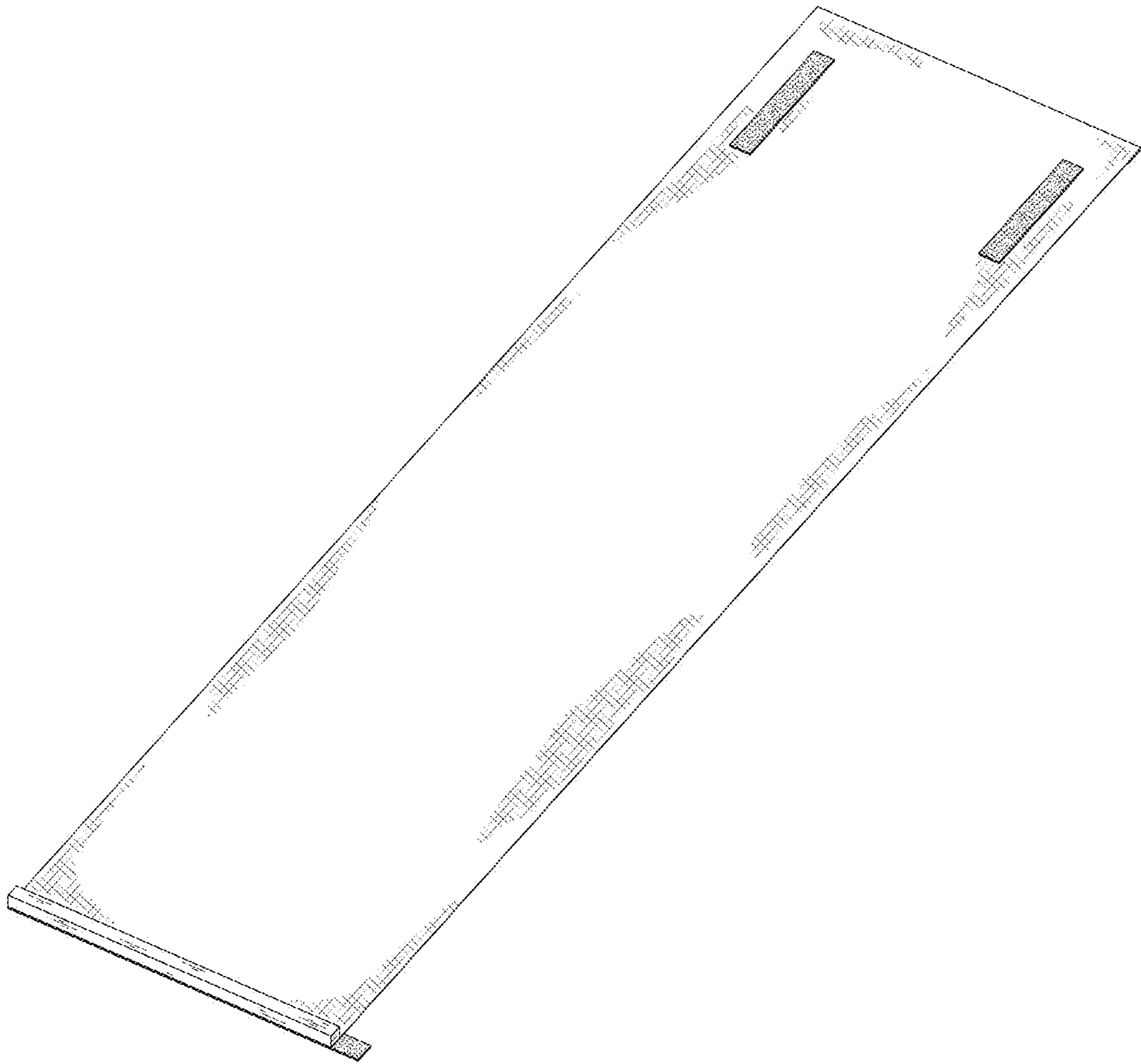


Fig. 1

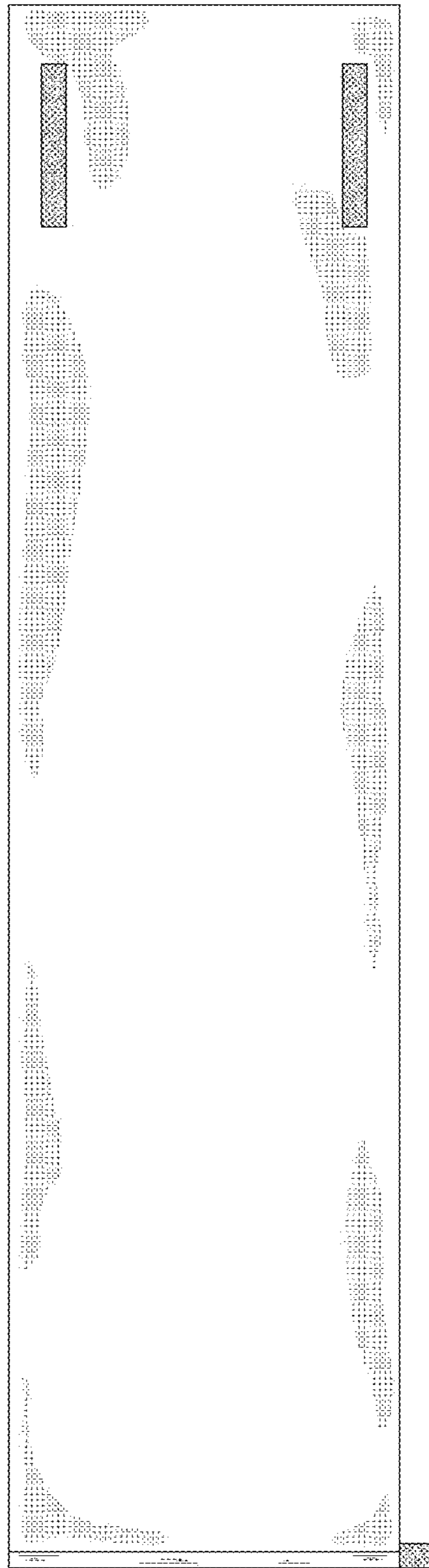


Fig. 2

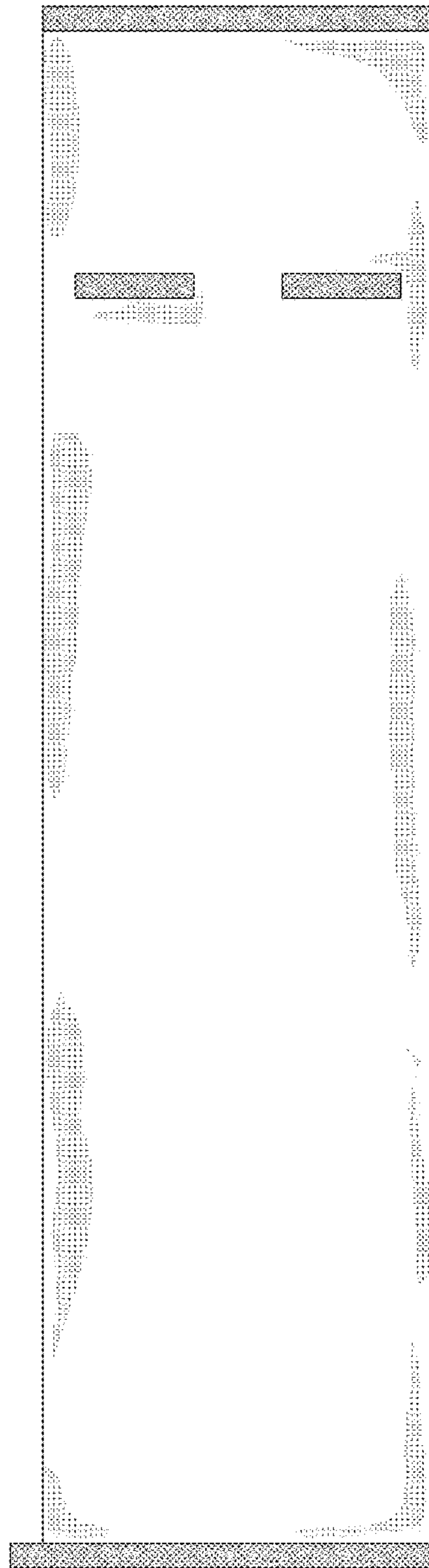


Fig. 3



Fig. 4

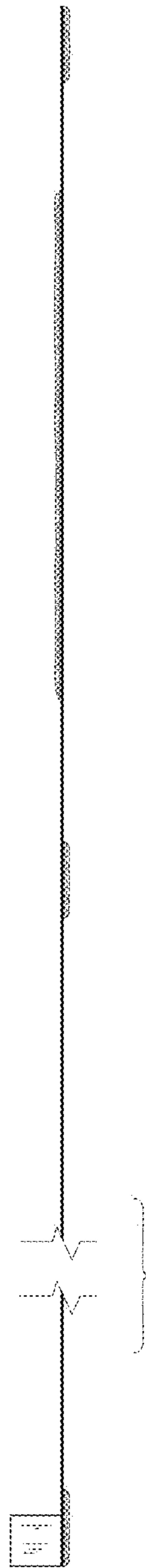


Fig. 5

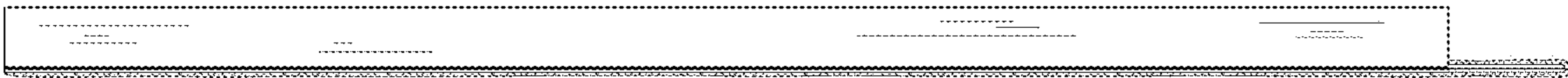


Fig. 6

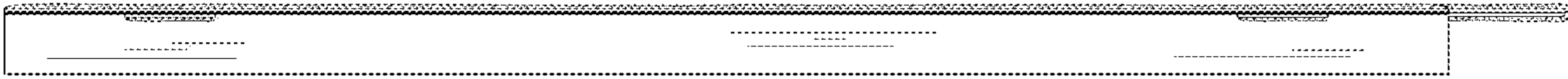


Fig. 7

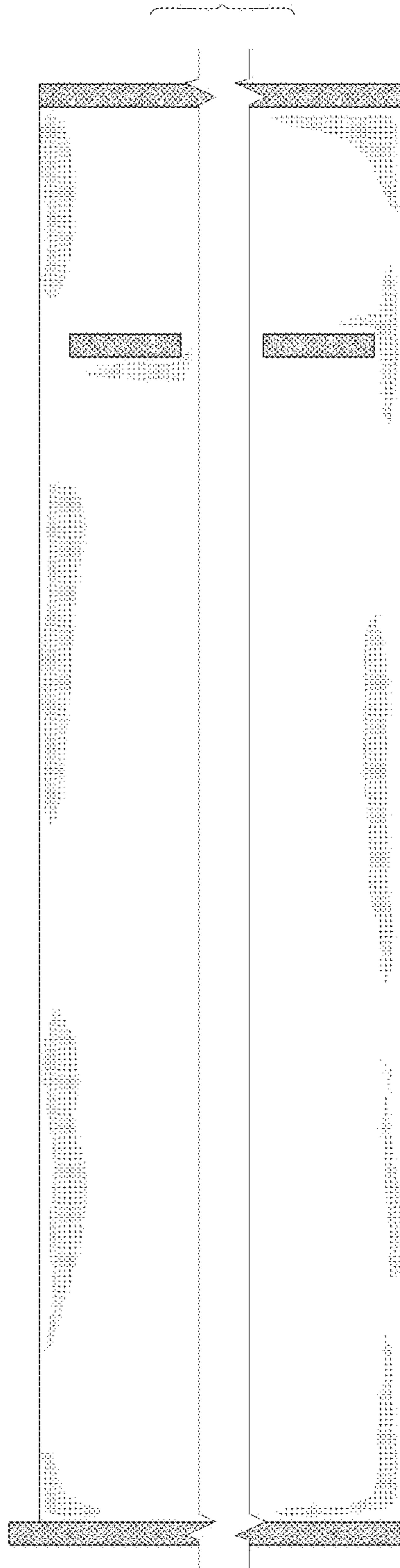


Fig. 8