



US00D903371S

(12) **United States Design Patent** (10) **Patent No.:** **US D903,371 S**  
**Appelbaum et al.** (45) **Date of Patent:** **\*\* Dec. 1, 2020**

- (54) **SUCTION SPONGE HOLDER**
- (71) Applicants: **Alaina Appelbaum**, Brooklyn, NY (US); **Min Kim**, Jersey City, NJ (US); **Mason Umholtz**, Sunnyvale, CA (US)
- (72) Inventors: **Alaina Appelbaum**, Brooklyn, NY (US); **Min Kim**, Jersey City, NJ (US); **Mason Umholtz**, Sunnyvale, CA (US)
- (73) Assignee: **Helen of Troy Limited**, St. Michael (BB)
- (\*\*) Term: **15 Years**
- (21) Appl. No.: **29/686,719**
- (22) Filed: **Apr. 6, 2019**
- (51) **LOC (12) Cl.** ..... **06-04**
- (52) **U.S. Cl.**  
USPC ..... **D6/553; D32/58**
- (58) **Field of Classification Search**  
USPC ..... D6/553, 566, 567, 524, 525, 532, 536, D6/537, 540, 320; D7/637; D32/40, 52, D32/55-56; D3/304  
CPC . A47K 1/09; A47K 1/08; A47K 3/281; A47K 7/02; A47K 7/00; A47K 5/12; A47J 47/20; F16B 47/00  
See application file for complete search history.

- (56) **References Cited**  
U.S. PATENT DOCUMENTS
- |              |         |           |       |        |
|--------------|---------|-----------|-------|--------|
| D388,993 S * | 1/1998  | Hampshire | ..... | D6/567 |
| D409,426 S * | 5/1999  | Hampshire | ..... | D6/567 |
| D419,352 S * | 1/2000  | Hampshire | ..... | D3/304 |
| D419,808 S * | 2/2000  | Hampshire | ..... | D3/304 |
| D449,480 S * | 10/2001 | Snell     | ..... | D6/525 |
| D453,651 S * | 2/2002  | Snell     | ..... | D6/537 |
| D481,894 S * | 11/2003 | Hunt      | ..... | D6/525 |
| D483,587 S * | 12/2003 | Snell     | ..... | D6/525 |

- |              |         |             |       |        |
|--------------|---------|-------------|-------|--------|
| D512,255 S * | 12/2005 | Snell       | ..... | D6/567 |
| D532,234 S * | 11/2006 | Snell       | ..... | D6/567 |
| D532,235 S * | 11/2006 | Snell       | ..... | D6/567 |
| D534,024 S * | 12/2006 | Dretzka     | ..... | D6/567 |
| D563,136 S * | 3/2008  | Kramer      | ..... | D6/553 |
| D563,708 S * | 3/2008  | Snell       | ..... | D6/566 |
| D635,383 S * | 4/2011  | Yang        | ..... | D6/525 |
| D642,841 S * | 8/2011  | Dretzka     | ..... | D6/553 |
| D668,496 S * | 10/2012 | Ho          | ..... | D6/553 |
| D699,973 S * | 2/2014  | Pan         | ..... | D6/553 |
| D701,397 S * | 3/2014  | Snider      | ..... | D6/566 |
| D718,510 S * | 11/2014 | Goodman     | ..... | D32/55 |
| D781,069 S * | 3/2017  | Marshall    | ..... | D6/553 |
| D803,501 S * | 11/2017 | Goodman     | ..... | D32/55 |
| D805,320 S * | 12/2017 | Kwiatkowski | ..... | D6/525 |
| D811,122 S * | 2/2018  | Goodman     | ..... | D6/553 |
| D811,677 S * | 2/2018  | Goodman     | ..... | D32/55 |
| D867,015 S * | 11/2019 | Ghiorghie   | ..... | D6/525 |

\* cited by examiner

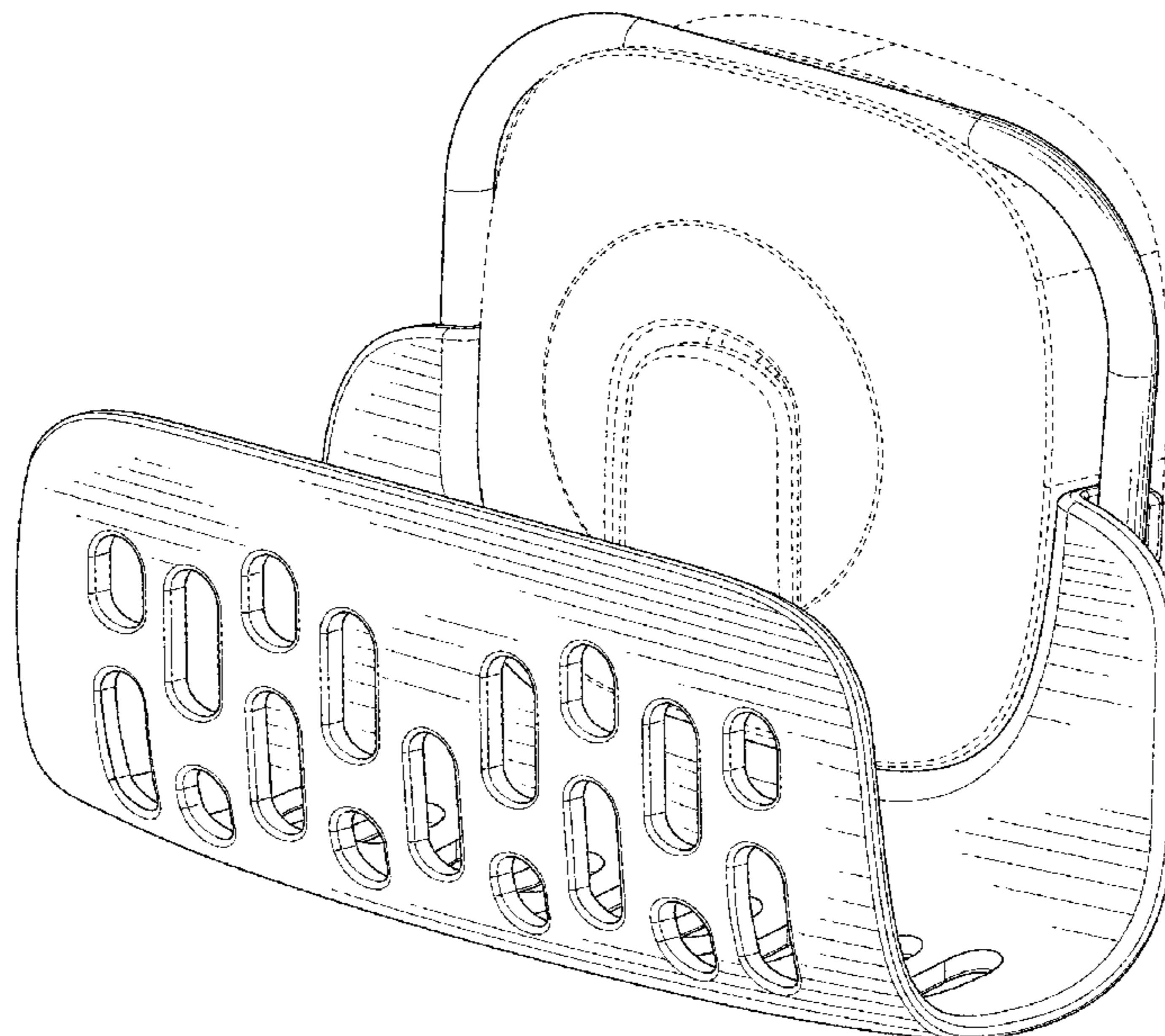
*Primary Examiner* — Michelle E. Wilson  
*Assistant Examiner* — Clese Moore, Jr.  
(74) *Attorney, Agent, or Firm* — Rankin, Hill & Clark LLP

(57) **CLAIM**  
The ornamental design for a suction sponge holder, as shown, and described.

**DESCRIPTION**

FIG. 1 is a perspective view of a suction sponge holder; FIG. 2 is a front view thereof; FIG. 3 is a rear view thereof; FIG. 4 is a right elevation view thereof, the left elevation view being a mirror image thereof; FIG. 5 is a top plan view thereof; and, FIG. 6 is a bottom plan view thereof. The broken lines represent unclaimed matter and form no part of the claimed design.

**1 Claim, 6 Drawing Sheets**



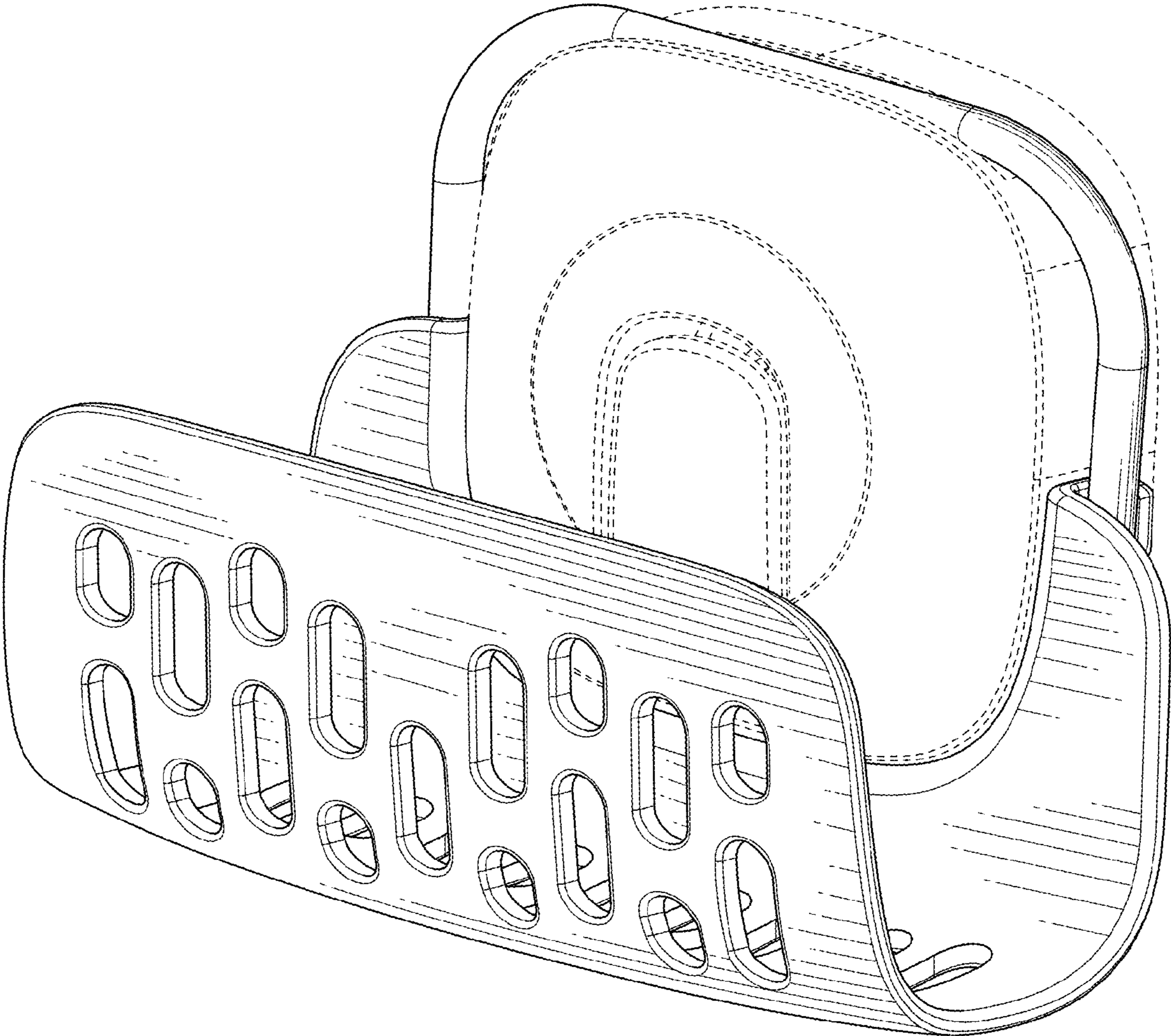


FIG. 1

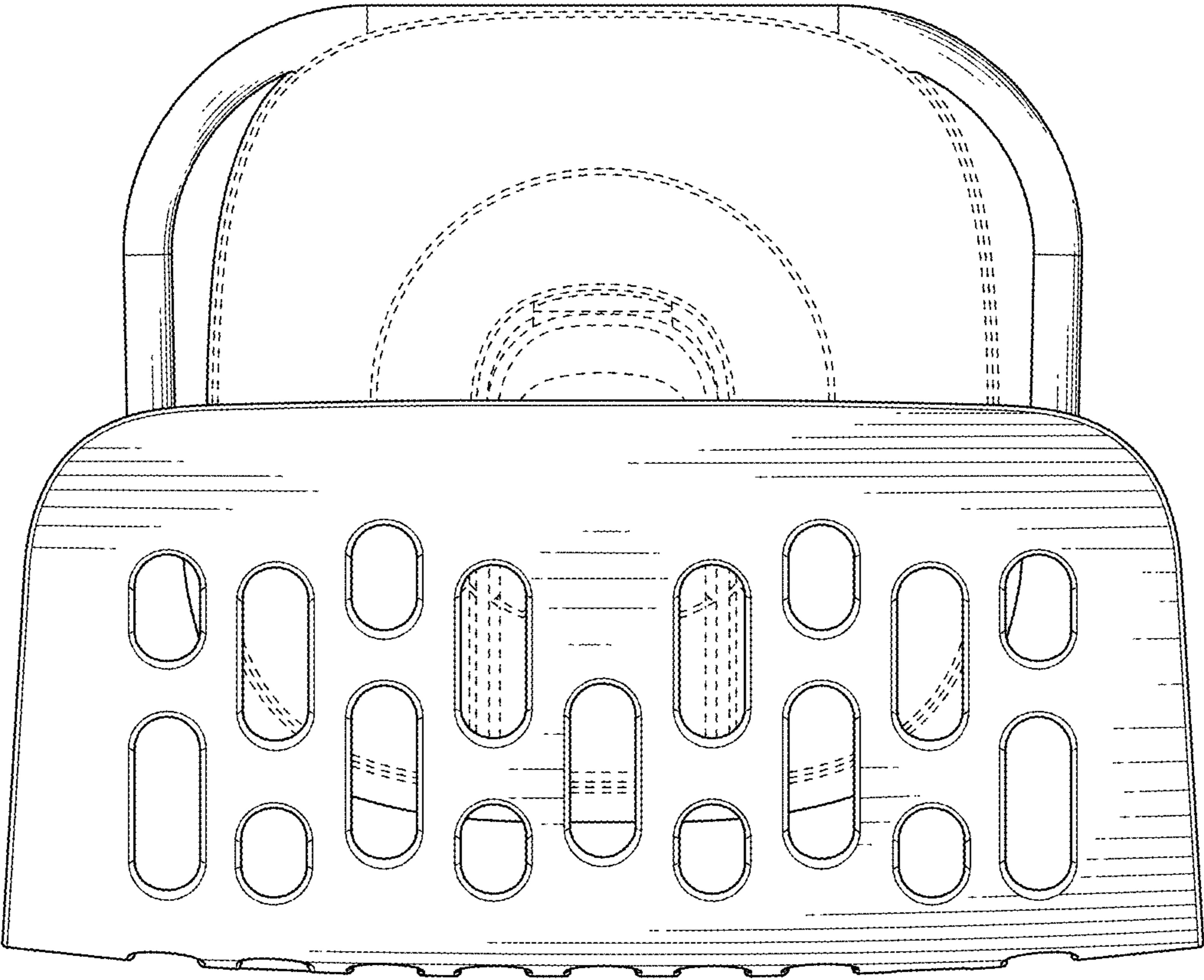


FIG. 2

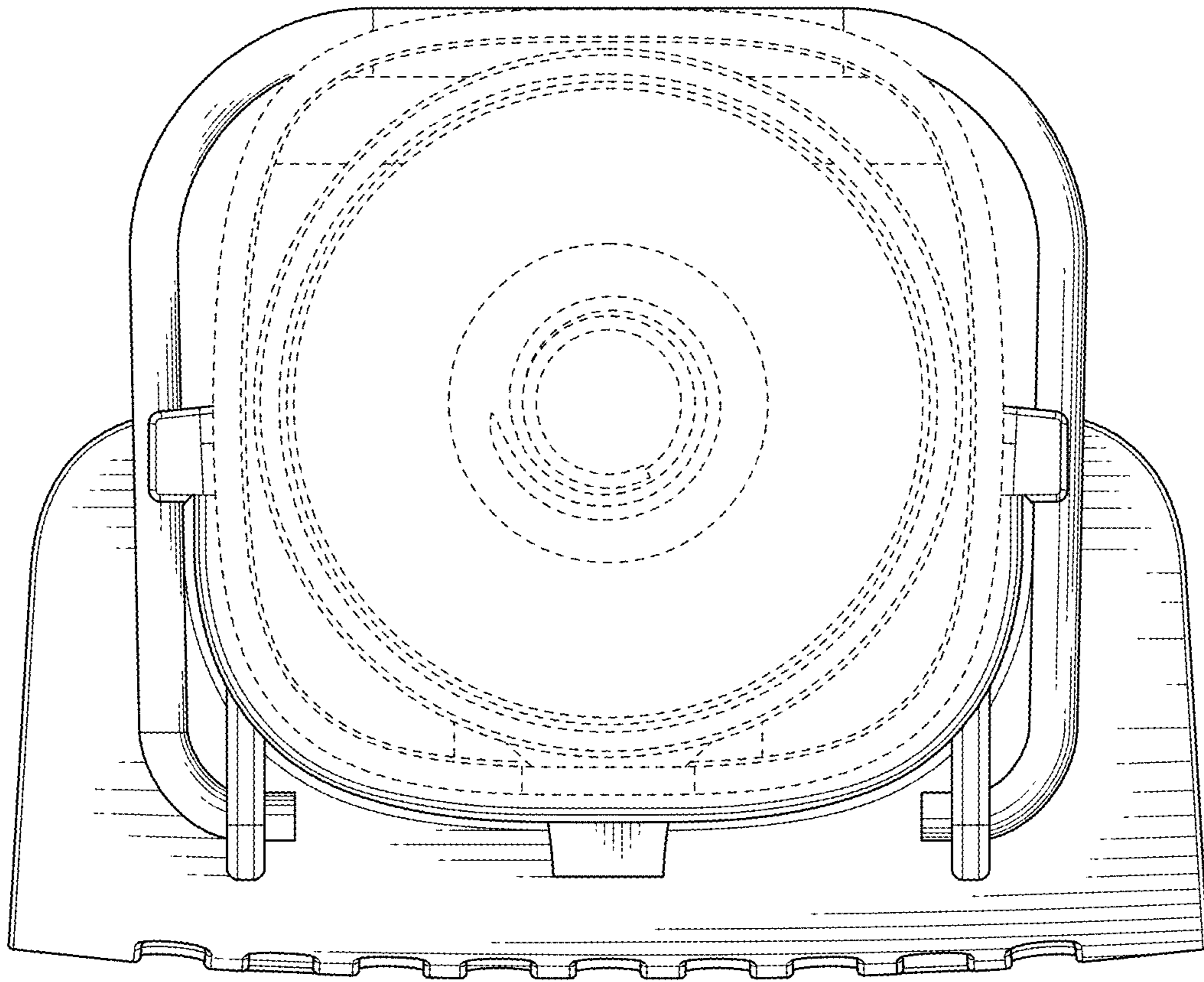


FIG. 3

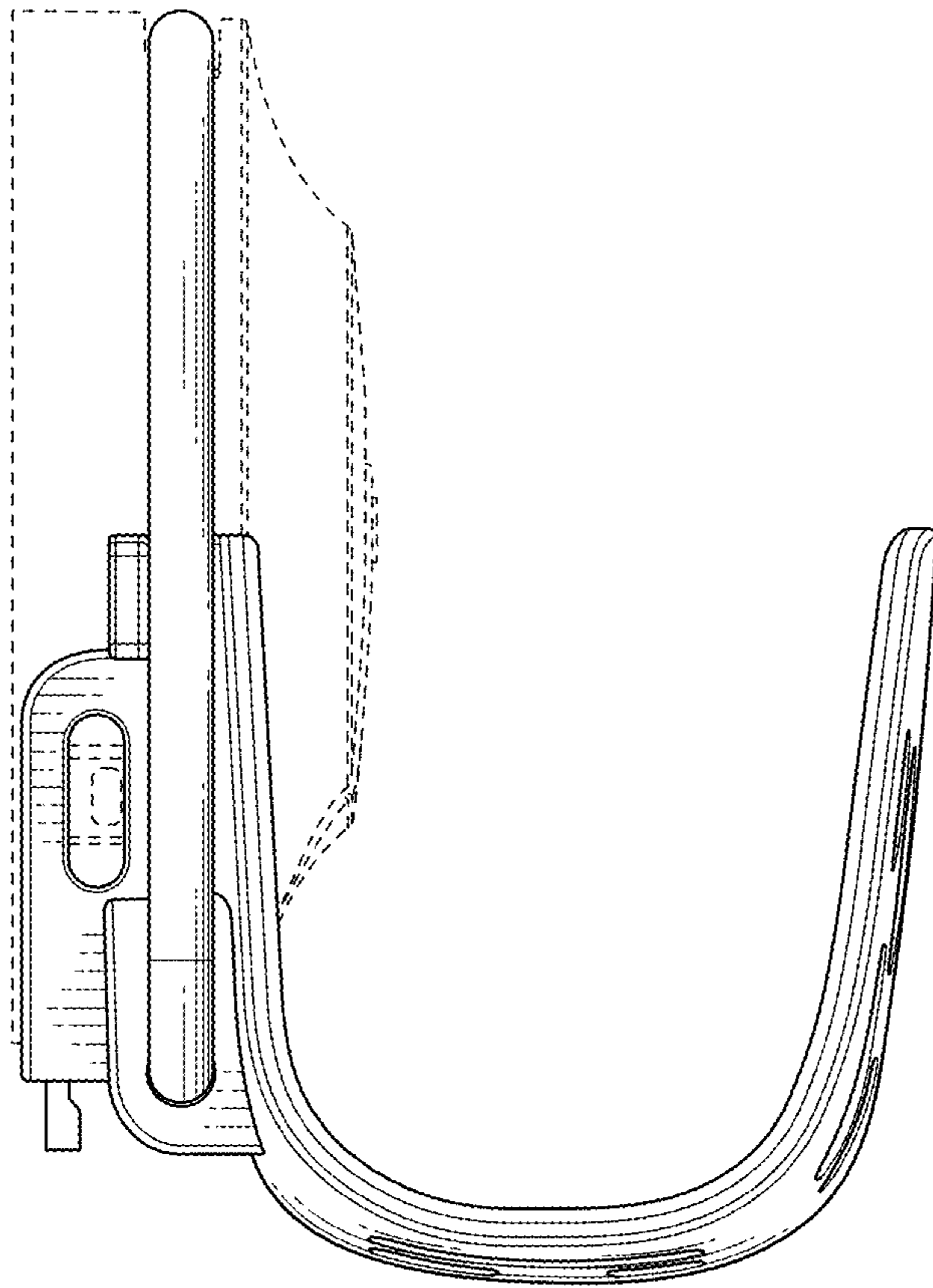


FIG. 4

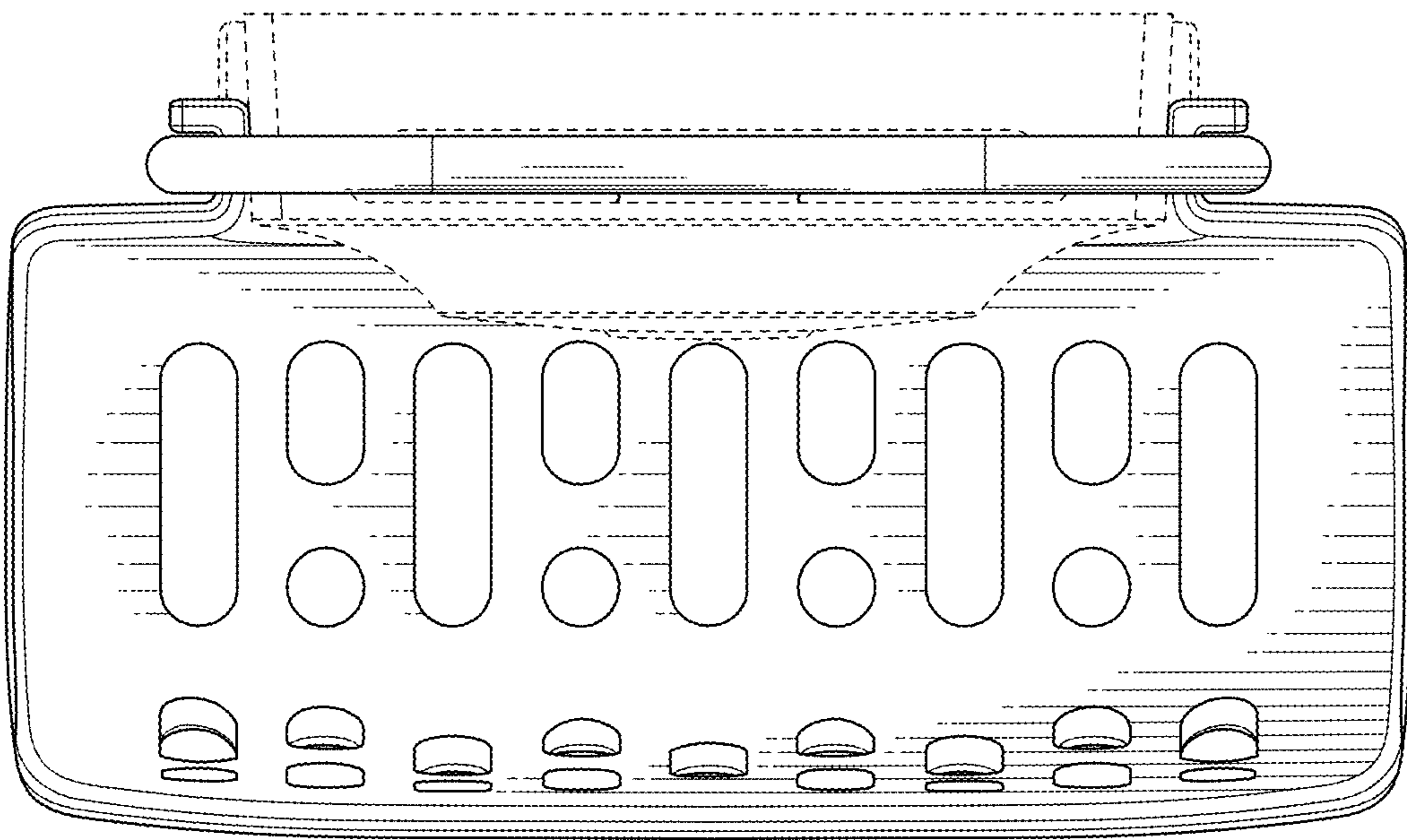


FIG. 5

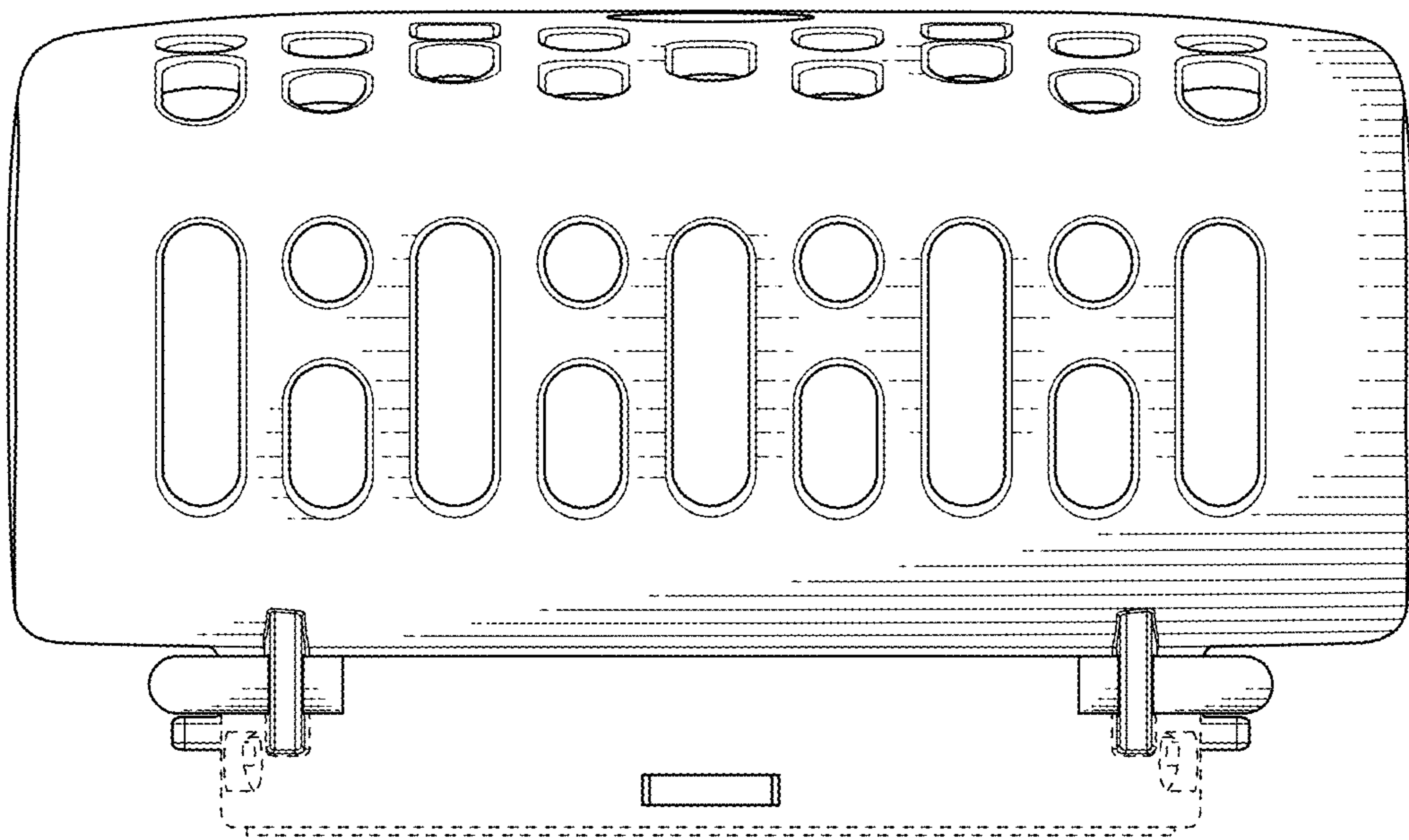


FIG. 6