



US00D903370S

(12) **United States Design Patent** (10) **Patent No.:** **US D903,370 S**  
**Kim** (45) **Date of Patent:** **\*\* Dec. 1, 2020**

(54) **SPONGE HOLDER**  
(71) Applicant: **Min Kim**, Jersey City, NJ (US)  
(72) Inventor: **Min Kim**, Jersey City, NJ (US)  
(73) Assignee: **Helen of Troy Limited**, St. Michael (BB)  
(\*\*) Term: **15 Years**  
(21) Appl. No.: **29/686,718**  
(22) Filed: **Apr. 6, 2019**  
(51) **LOC (12) Cl.** ..... **06-04**  
(52) **U.S. Cl.**  
USPC ..... **D6/553**  
(58) **Field of Classification Search**  
USPC ..... D6/553, 566, 567, 524, 525, 532,  
D6/536-537, 540, 320; D32/40, 52,  
D32/55-56; D7/637; D3/304  
CPC ... A47K 5/12; A47K 1/09; A47K 1/08; A47K  
3/281; A47K 7/02; A47K 7/00; A47J  
47/20  
See application file for complete search history.

D625,943 S \* 10/2010 Yang ..... D6/536  
D626,363 S \* 11/2010 Yang ..... D6/525  
D637,844 S \* 5/2011 Kraemer ..... D6/536  
D653,828 S \* 2/2012 Seehoff ..... D32/52  
D704,953 S \* 5/2014 Reitze ..... D6/536  
D726,384 S \* 4/2015 Jenden ..... D32/52  
D747,101 S \* 1/2016 Goodman ..... D3/304  
D751,784 S \* 3/2016 Robbins, III ..... D32/55  
D763,054 S \* 8/2016 Ali ..... D8/90  
D764,829 S \* 8/2016 Citterio ..... D6/532  
D805,320 S \* 12/2017 Kwiatkowski ..... D6/525  
D824,692 S \* 8/2018 Kwiatkowski ..... D6/536  
D838,509 S \* 1/2019 Joseph ..... D6/536  
D839,619 S \* 2/2019 Umholtz ..... D6/356  
D852,537 S \* 7/2019 Goodman ..... D6/536  
D878,084 S \* 3/2020 McGarry ..... D6/525

\* cited by examiner

*Primary Examiner* — Michelle E. Wilson  
*Assistant Examiner* — Clese Moore, Jr.  
(74) *Attorney, Agent, or Firm* — Rankin, Hill & Clark  
LLP

(57) **CLAIM**

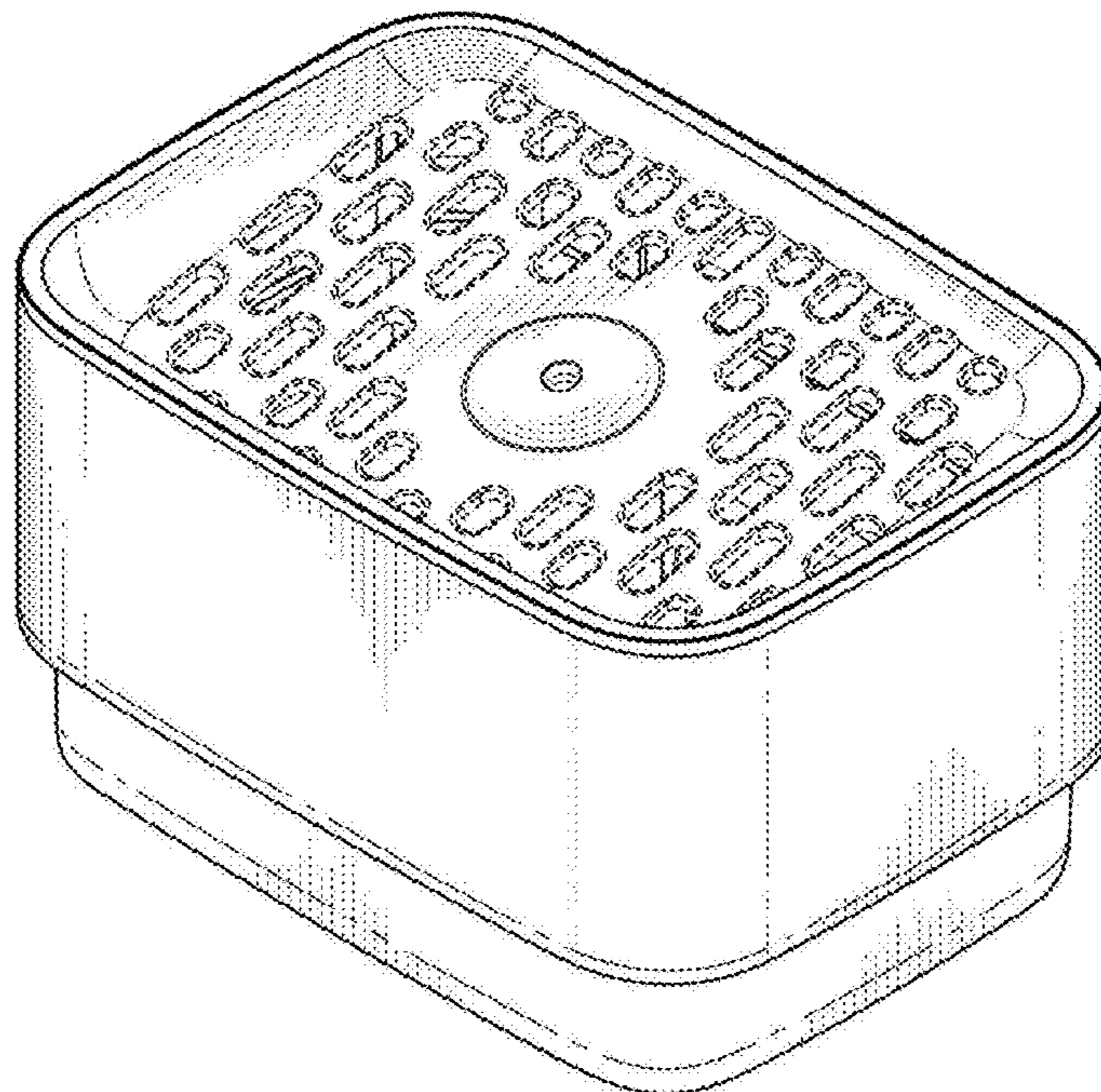
The ornamental design for a sponge holder, as shown and described.

**DESCRIPTION**

FIG. 1 is a perspective view of a sponge holder;  
FIG. 2 is a front view thereof; the rear view being a mirror  
image thereof;  
FIG. 3 is a left elevation view thereof, the right elevation  
view being a mirror image thereof;  
FIG. 4 is a top plan view thereof; and,  
FIG. 5 is a bottom plan view thereof.  
The broken lines in the drawings depict portions of the  
sponge holder that form no part of the claimed design.

**1 Claim, 5 Drawing Sheets**

(56) **References Cited**  
U.S. PATENT DOCUMENTS  
D341,971 S \* 12/1993 Corbin ..... D6/536  
D413,219 S \* 8/1999 Glenton Kerr ..... D6/536  
D417,574 S \* 12/1999 Ludwig ..... D6/536  
D457,272 S \* 5/2002 Weinberg ..... D28/73  
D505,287 S \* 5/2005 Olsen ..... D6/536  
D520,286 S \* 5/2006 Chen ..... D6/553  
D533,741 S \* 12/2006 Joseph ..... D6/536  
D563,136 S \* 3/2008 Kramer ..... D6/553  
D582,120 S \* 12/2008 Snell ..... D32/55  
D612,180 S \* 3/2010 Mayer ..... D6/524



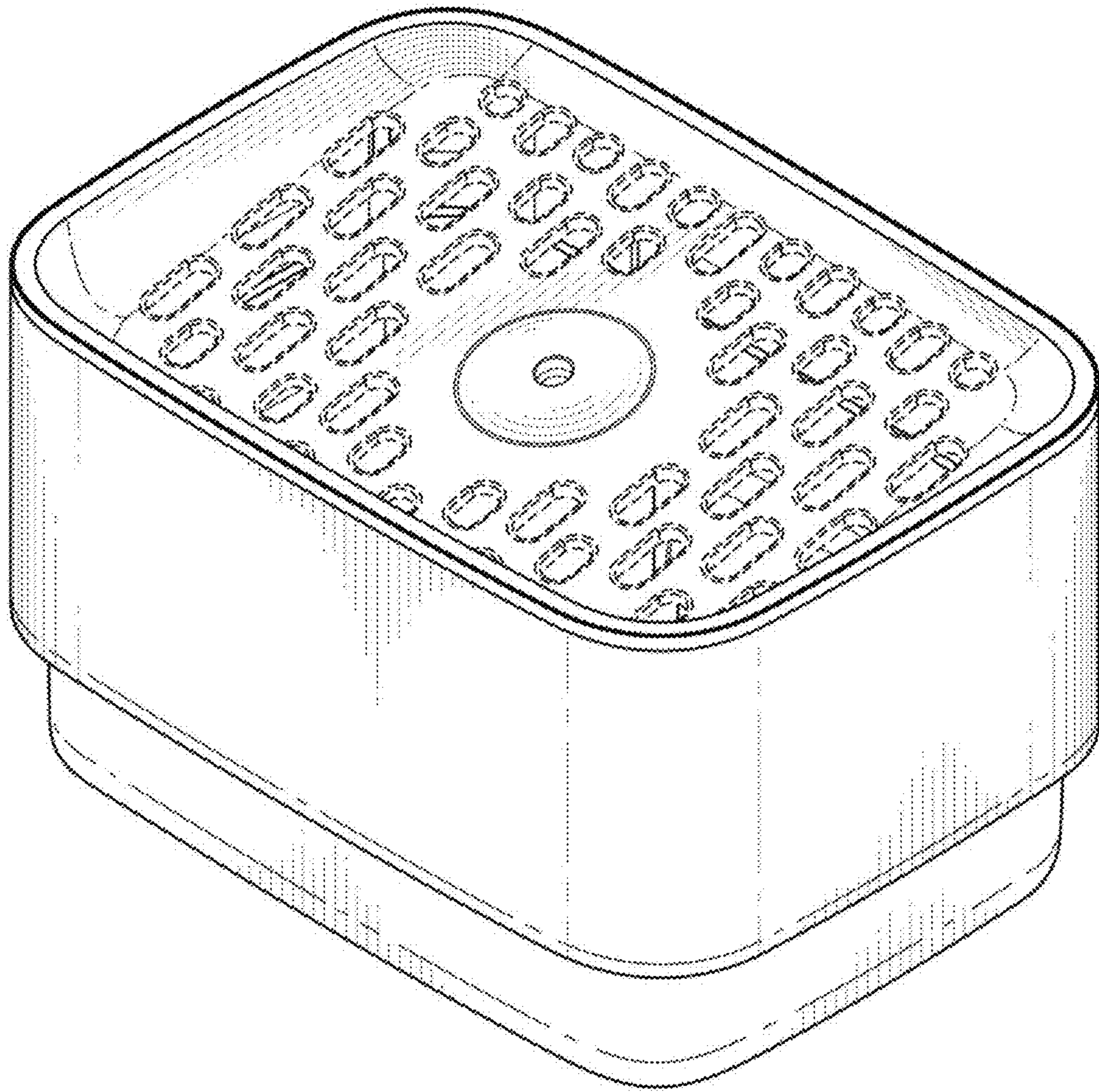


FIG. 1

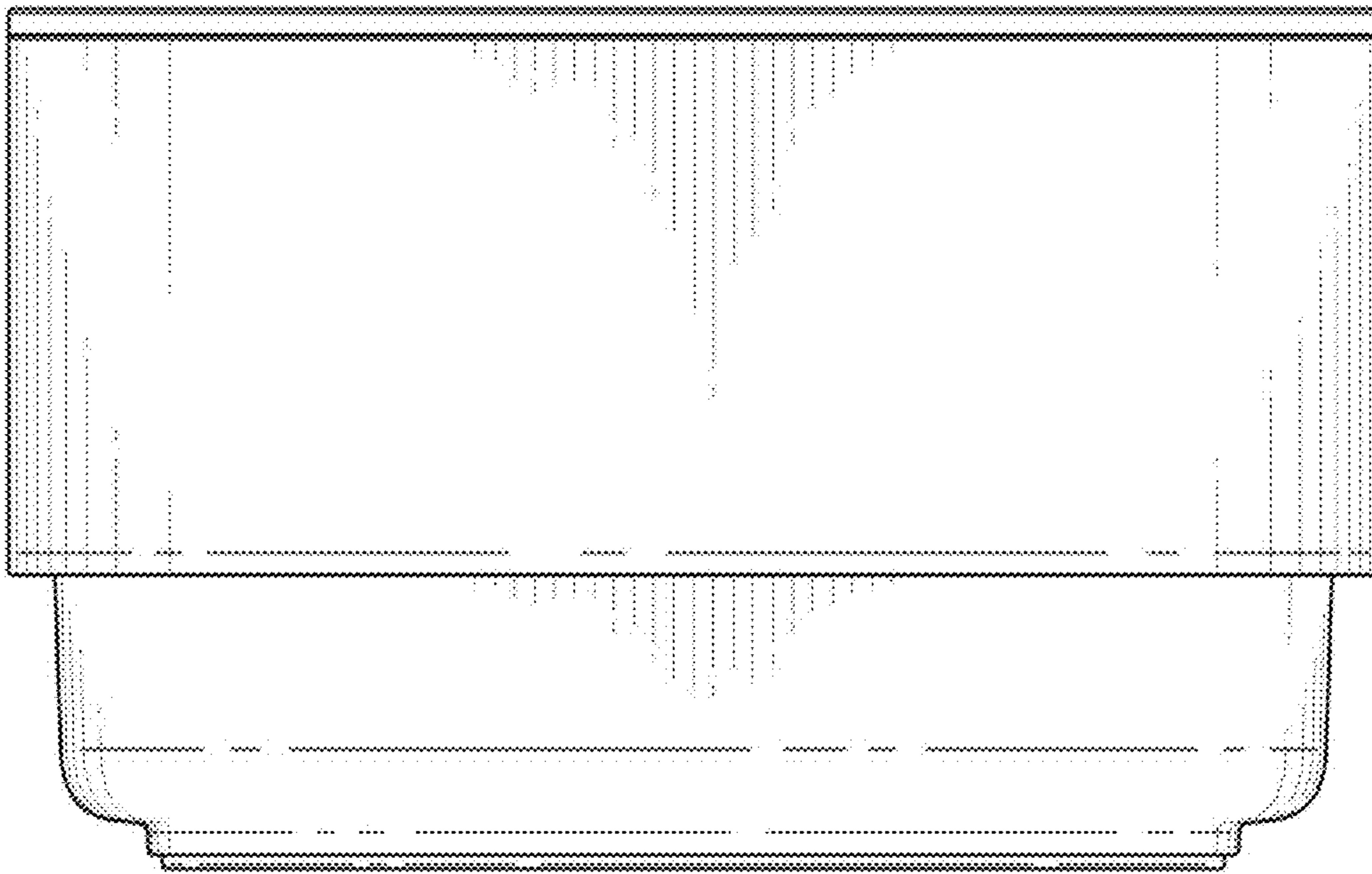


FIG. 2

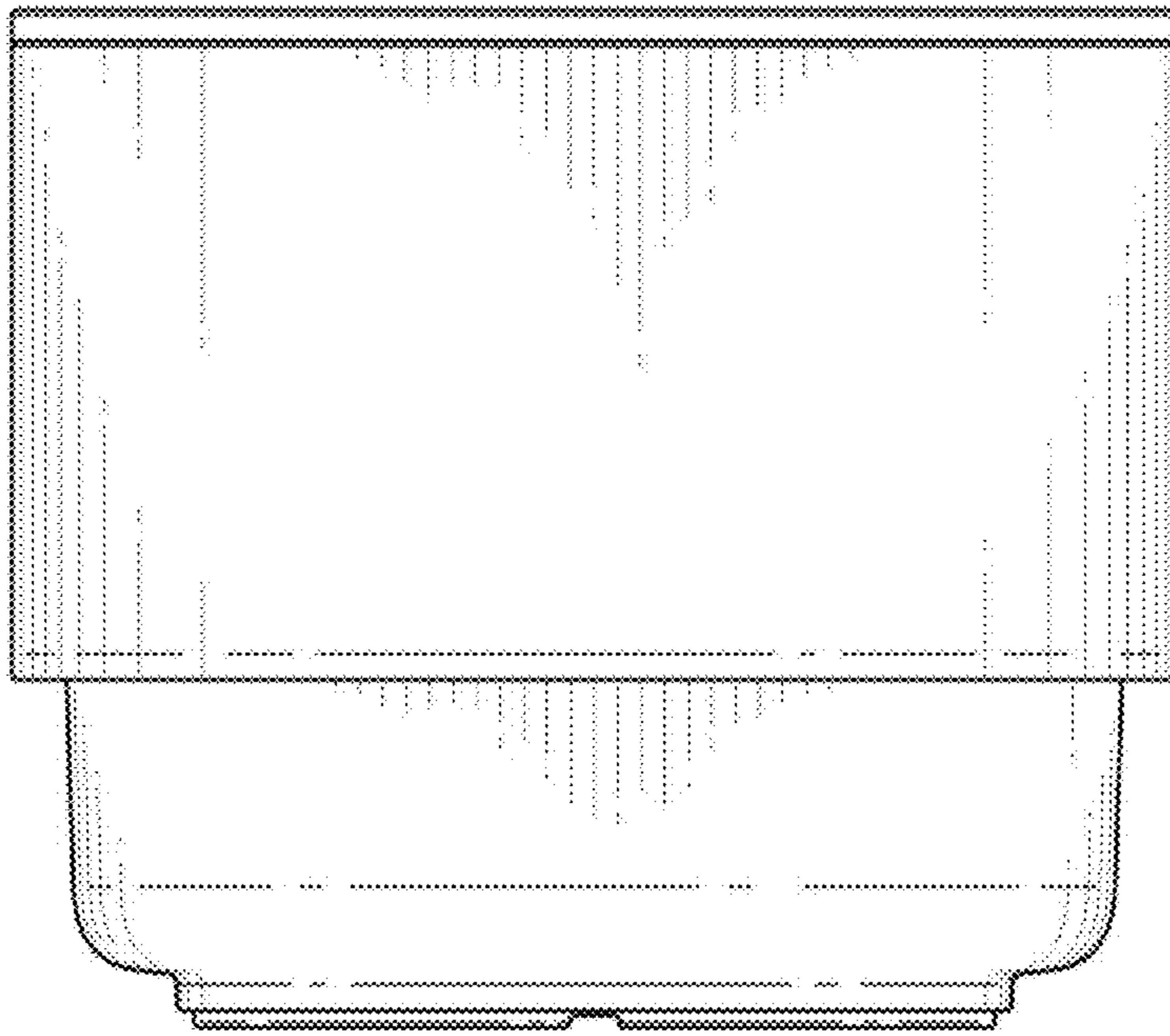


FIG. 3

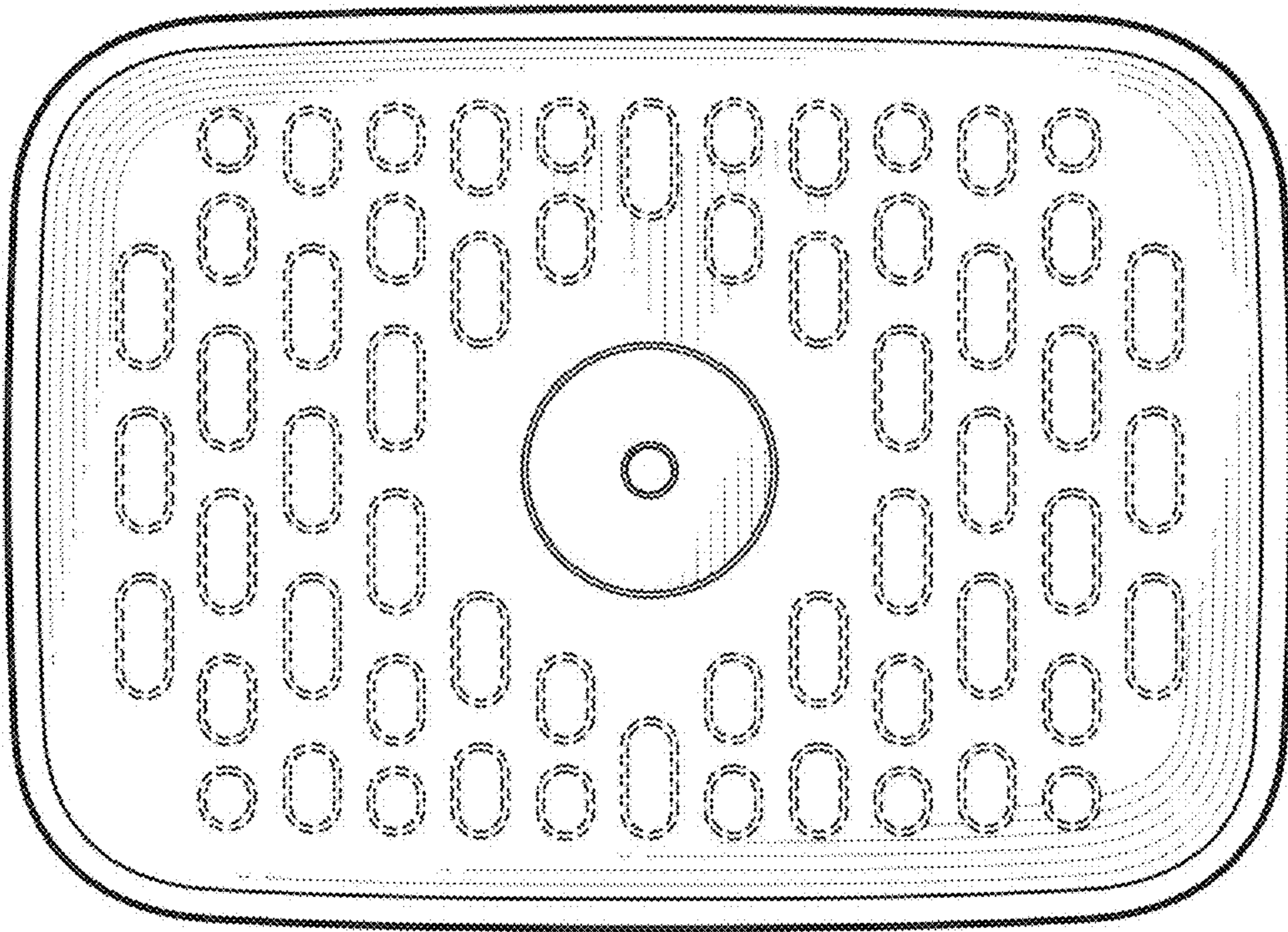


FIG. 4

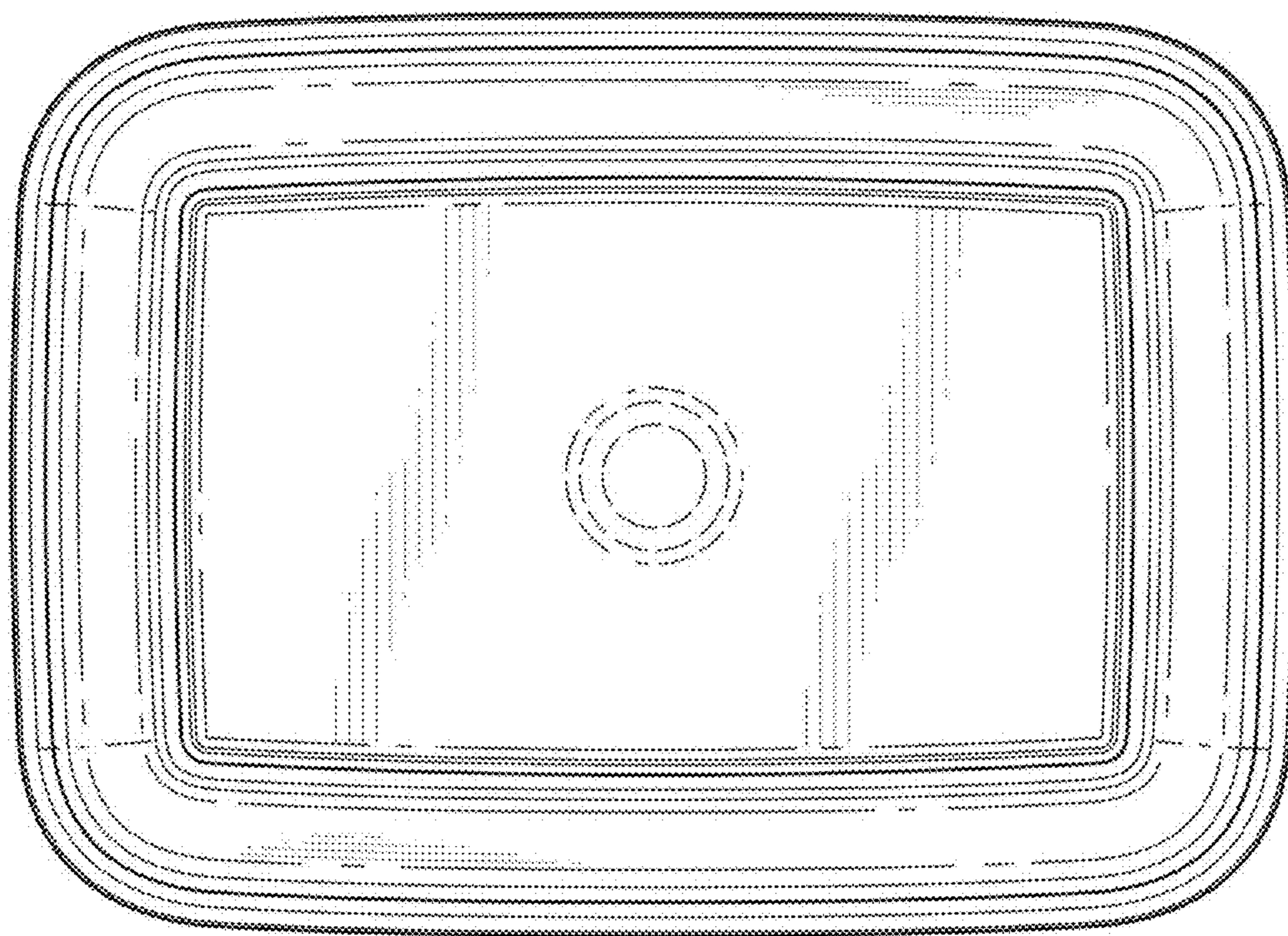


FIG. 5