



US00D903369S

(12) **United States Design Patent** (10) **Patent No.:** **US D903,369 S**  
**Lien** (45) **Date of Patent:** **\*\* Dec. 1, 2020**

(54) **STABILITY BALL RACK**

D577,235 S \* 9/2008 Blazer ..... D6/552  
D681,380 S \* 5/2013 Lien ..... D6/552  
D703,971 S \* 5/2014 Parisi ..... D6/552

(71) Applicant: **USA Sports, Inc.**, Houston, TX (US)

\* cited by examiner

(72) Inventor: **Louis Lien**, Bellaire, TX (US)

*Primary Examiner* — Mark Booker

(73) Assignee: **USA Sports, Inc.**, Houston, TX (US)

(\*\*) Term: **15 Years**

(21) Appl. No.: **29/684,277**

(57) **CLAIM**

(22) Filed: **Mar. 19, 2019**

The ornamental design for a stability ball rack, as shown and described.

(51) **LOC (12) Cl.** ..... **08-08**

(52) **U.S. Cl.**

USPC ..... **D6/552**

(58) **Field of Classification Search**

**DESCRIPTION**

USPC ..... D6/552, 396, 397, 449, 455, 566;  
D7/600.4; D21/785; 108/28, 59, 91,  
108/150; 206/315.91; 248/309.1;  
211/13.1, 14, 85.23

CPC ..... A63D 15/005; A63D 15/00; A47F 1/082;  
Y10S 224/919

See application file for complete search history.

FIG. 1 is a front elevation view of a stability ball rack showing my new design.

FIG. 2 is a rear elevation view thereof.

FIG. 3 is a left side elevation view thereof.

FIG. 4 is a right side elevation view thereof.

FIG. 5 is a top plan view thereof.

FIG. 6 shows a bottom plan view thereof.

FIG. 7 is a perspective view thereof; and,

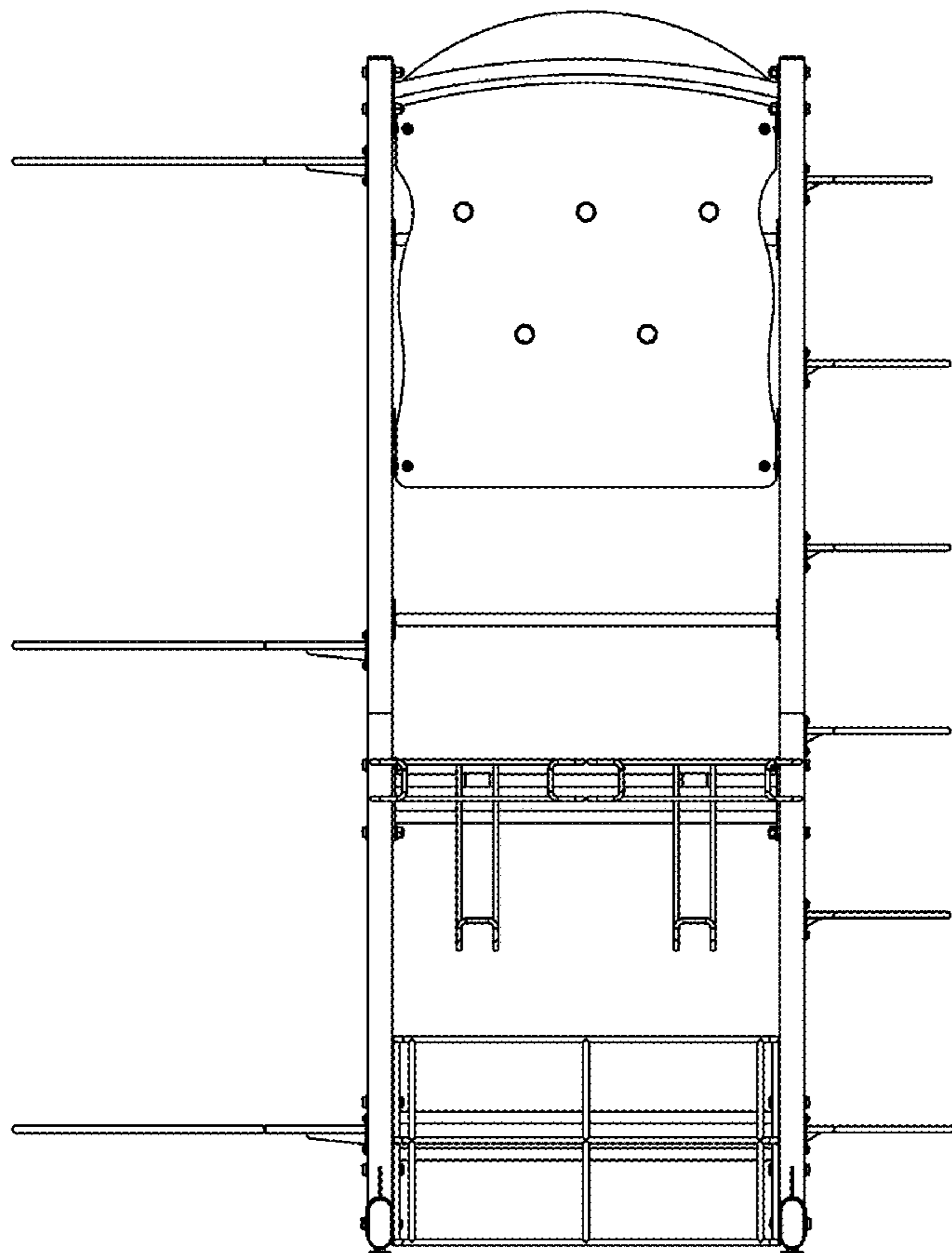
FIG. 8 is another perspective view thereof.

(56) **References Cited**

**U.S. PATENT DOCUMENTS**

D389,688 S \* 1/1998 Iacono ..... D6/552  
D567,559 S \* 4/2008 Blazer ..... D6/552

**1 Claim, 7 Drawing Sheets**



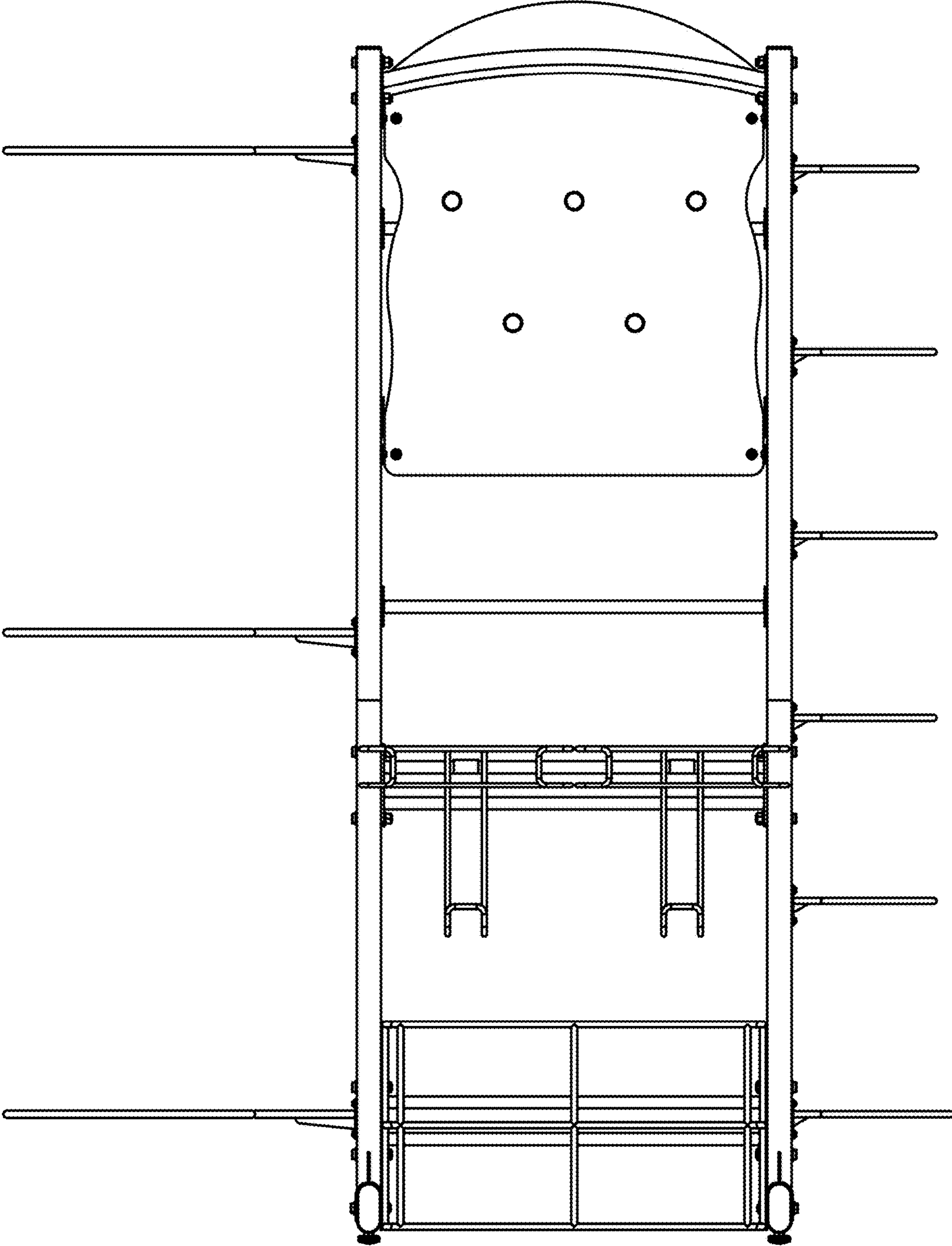


FIG. 1

FIG. 2

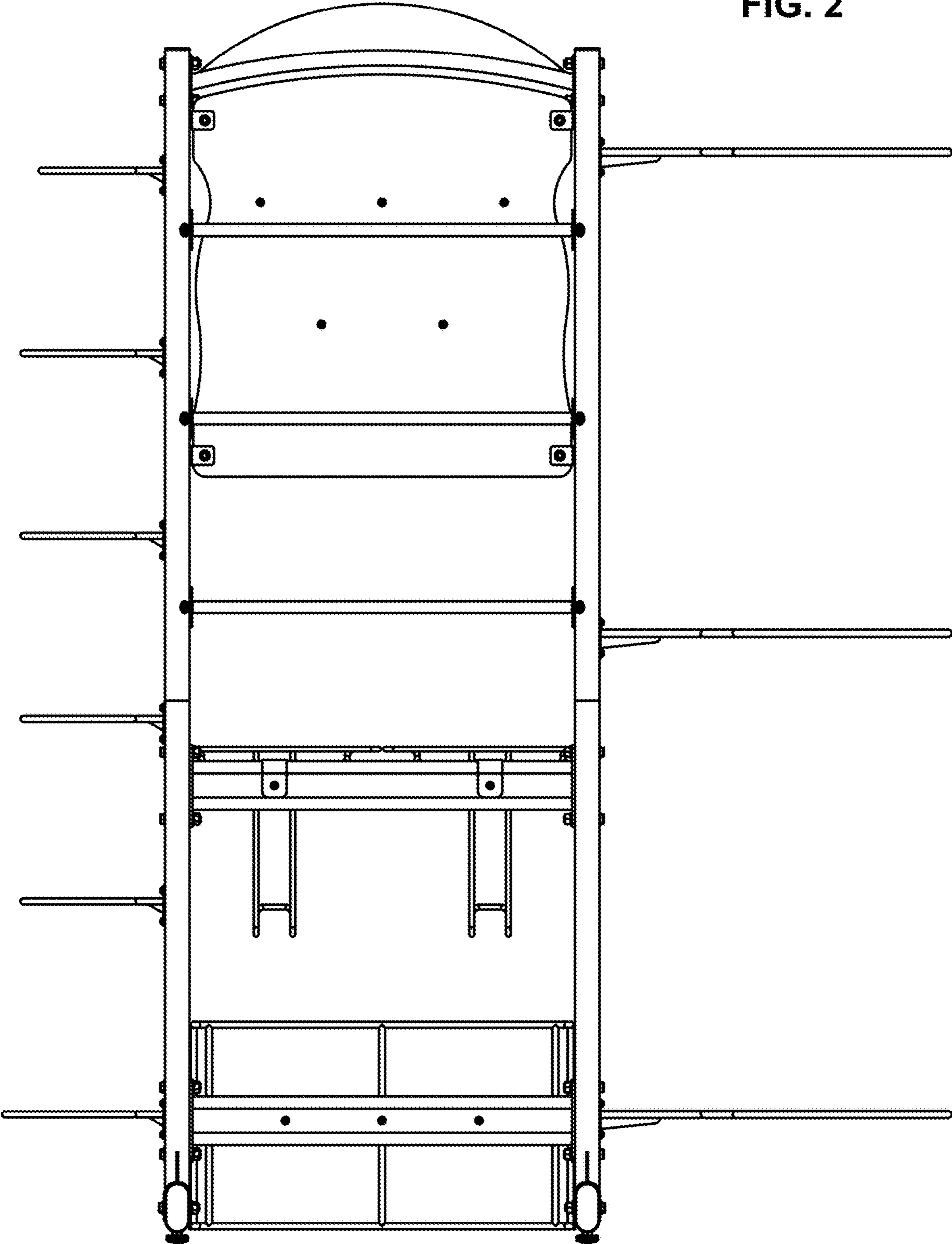


FIG. 3

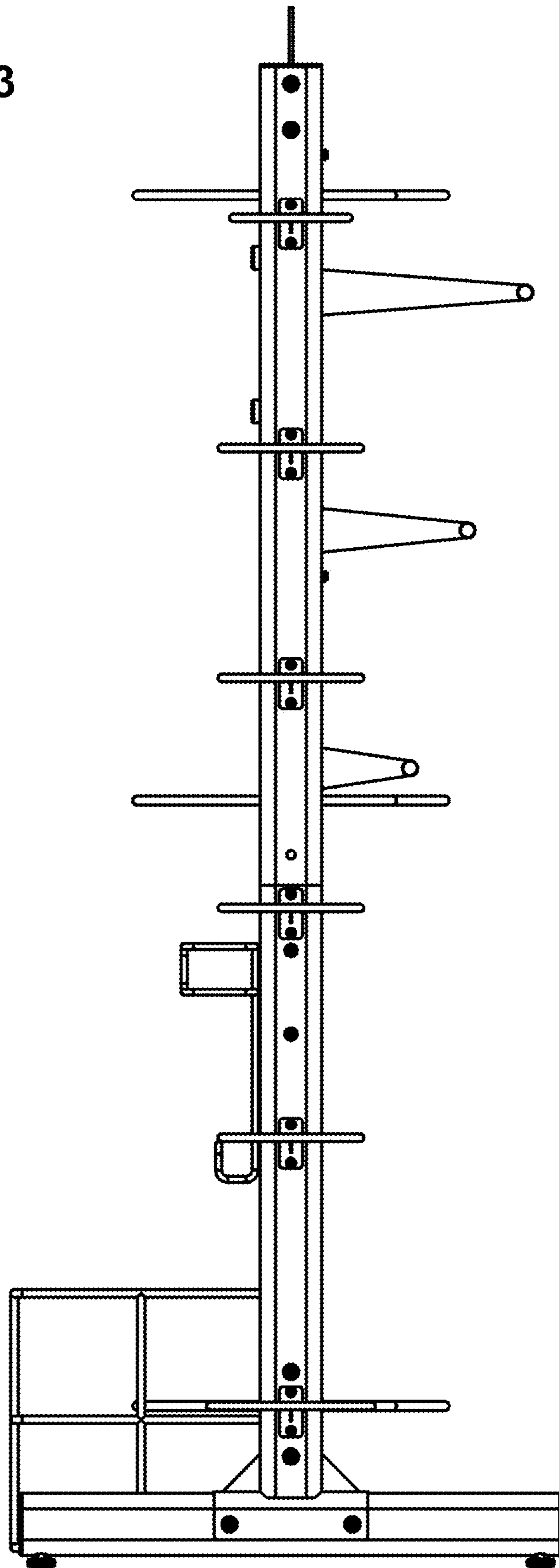
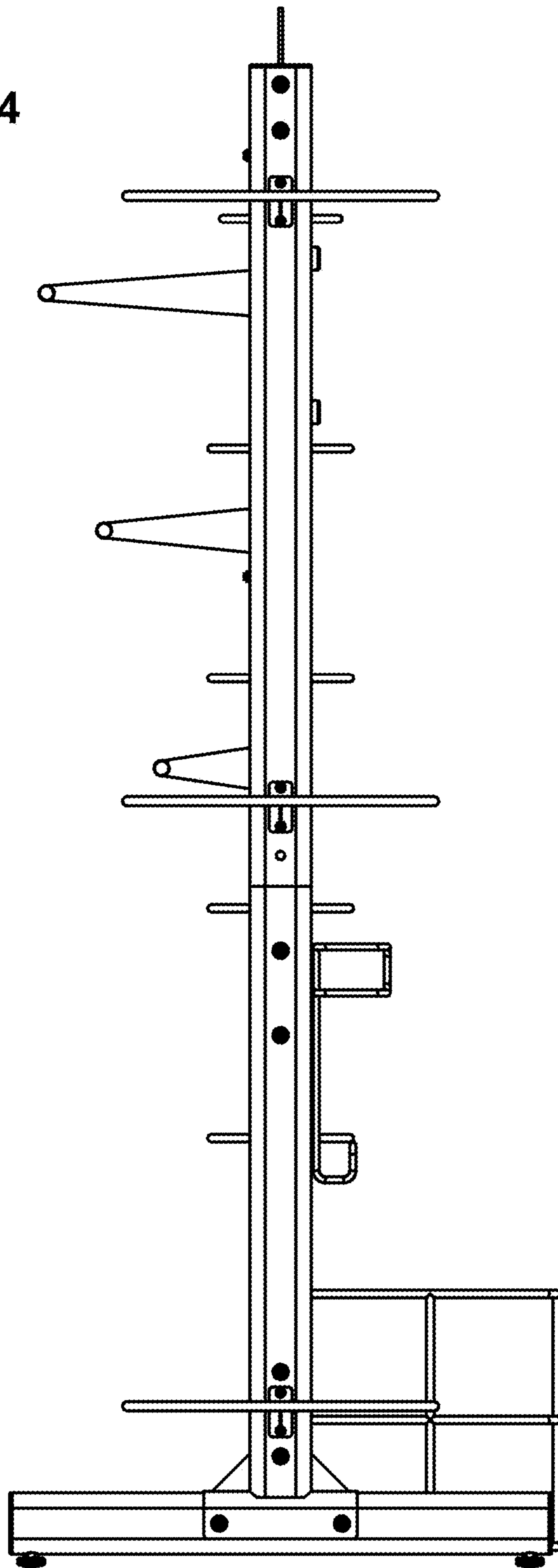


FIG. 4



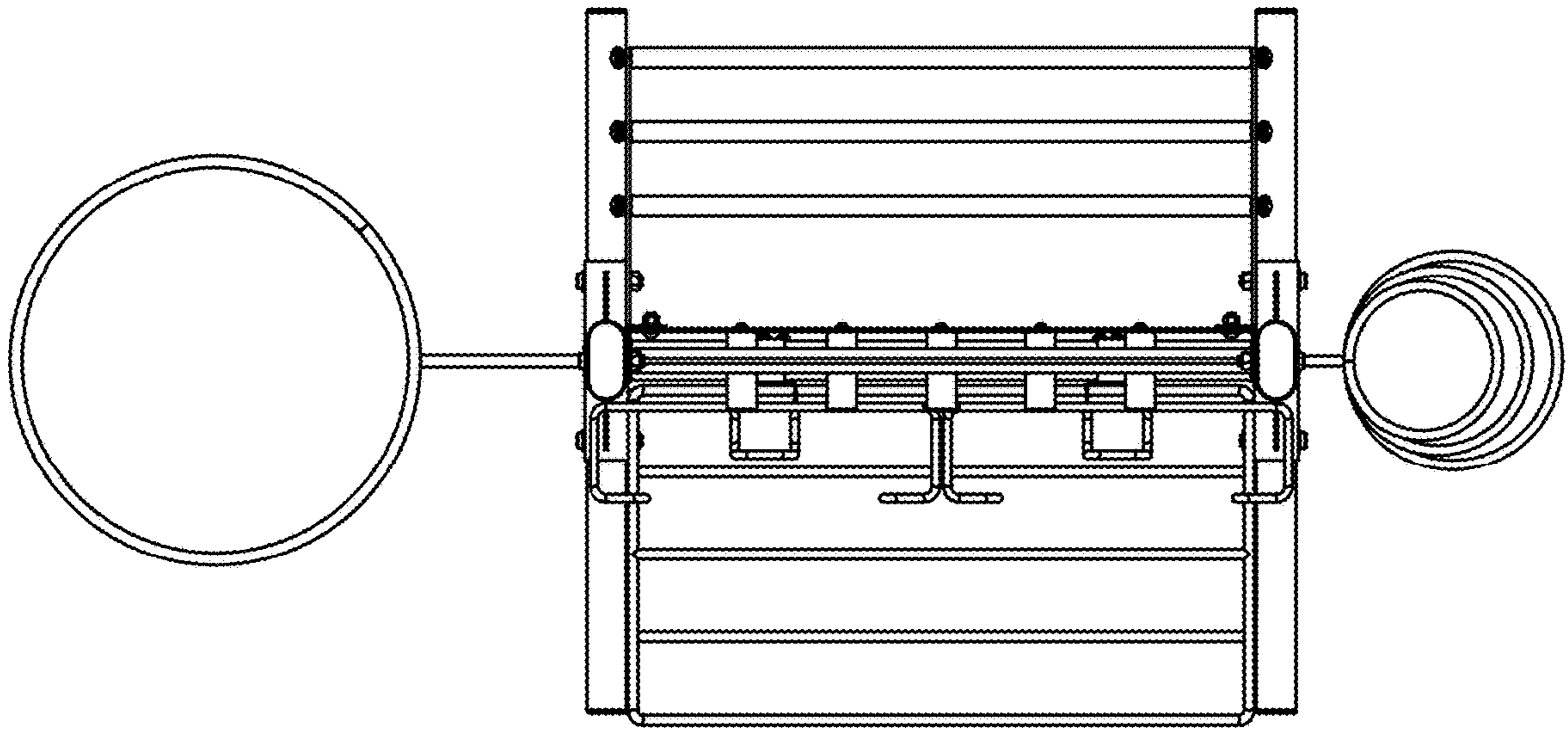


FIG. 5

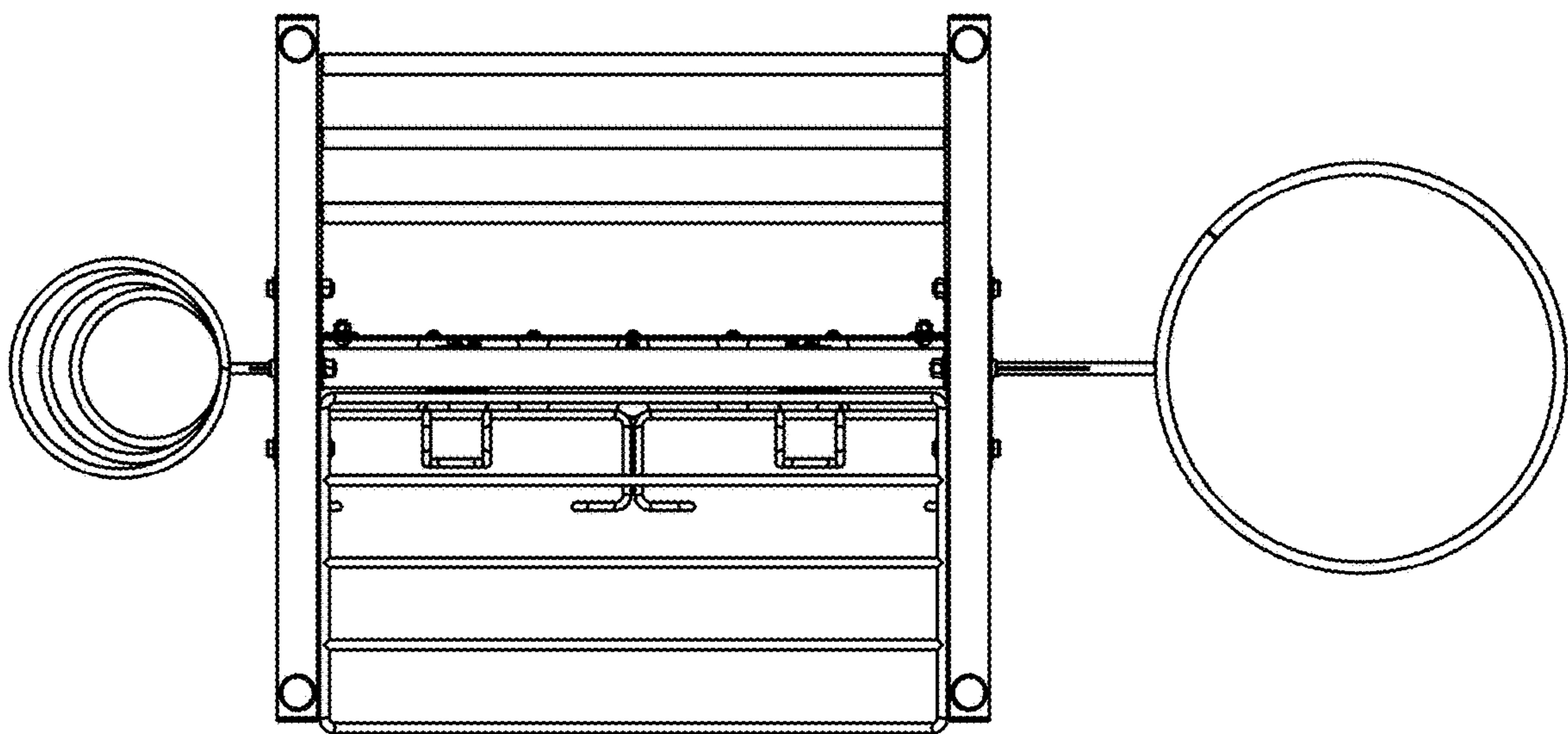


FIG. 6

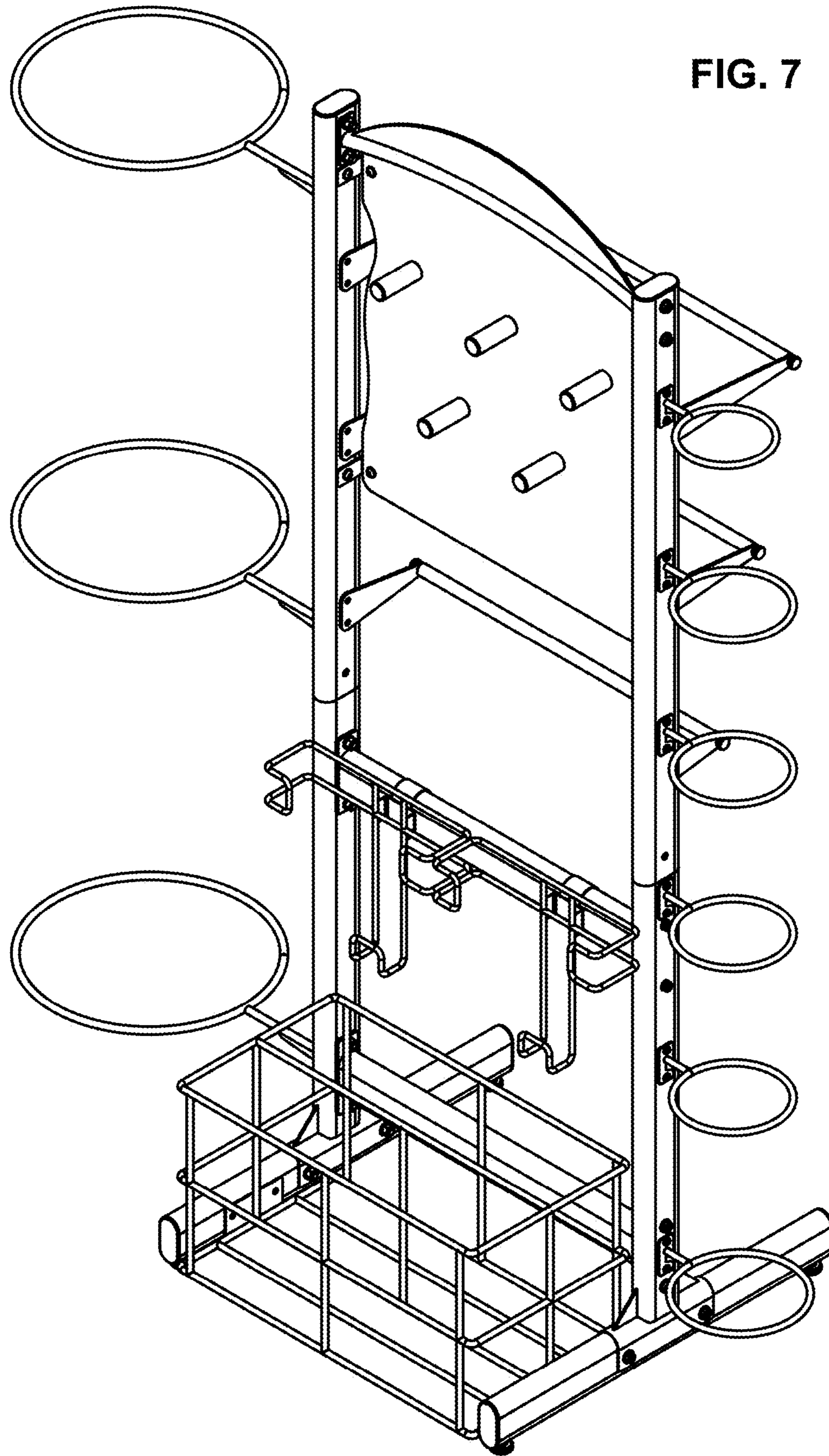


FIG. 7

FIG. 8

