



US00D903364S

(12) **United States Design Patent**  
**Christiansen et al.**

(10) **Patent No.:** **US D903,364 S**

(45) **Date of Patent:** **\*\* Dec. 1, 2020**

(54) **BED FRAME**

(71) Applicant: **TUFT & NEEDLE, LLC**, Phoenix, AZ  
(US)

(72) Inventors: **Levi Christiansen**, Nashville, TN (US);  
**John Thomas Marino**, Phoenix, AZ  
(US)

(73) Assignee: **TUFT & NEEDLE, LLC**, Phoenix, AZ  
(US)

(\*\*) Term: **15 Years**

(21) Appl. No.: **29/671,031**

(22) Filed: **Nov. 21, 2018**

(51) **LOC (12) Cl.** ..... **06-02**

(52) **U.S. Cl.**  
USPC ..... **D6/393**

(58) **Field of Classification Search**  
USPC ..... D6/382–384, 393–395, 718.13  
CPC ..... A47C 19/00; A47C 19/005; A47C 19/02;  
A47C 19/021; A47C 19/022  
See application file for complete search history.

(56) **References Cited**

**U.S. PATENT DOCUMENTS**

|                |         |         |       |             |
|----------------|---------|---------|-------|-------------|
| D450,471 S *   | 11/2001 | Dordoni | ..... | D6/393      |
| D495,521 S *   | 9/2004  | Dordoni | ..... | D6/393      |
| D526,140 S *   | 8/2006  | Cook    | ..... | D6/393      |
| D663,077 S *   | 7/2012  | Pohl    | ..... | D30/118     |
| 9,854,917 B2 * | 1/2018  | Chen    | ..... | A47C 19/022 |

|                   |         |        |       |             |
|-------------------|---------|--------|-------|-------------|
| 10,362,880 B2 *   | 7/2019  | Oh     | ..... | A47C 23/06  |
| D862,105 S *      | 10/2019 | Liu    | ..... | D6/393      |
| D868,495 S *      | 12/2019 | Lee    | ..... | D6/393      |
| 2017/0238715 A1 * | 8/2017  | Choi   | ..... | A47C 19/025 |
| 2018/0344041 A1 * | 12/2018 | Liu    | ..... | A47C 19/027 |
| 2019/0021508 A1 * | 1/2019  | Jewett | ..... | F16B 12/56  |

\* cited by examiner

*Primary Examiner* — Cathron C Brooks

(74) *Attorney, Agent, or Firm* — Arent Fox LLP

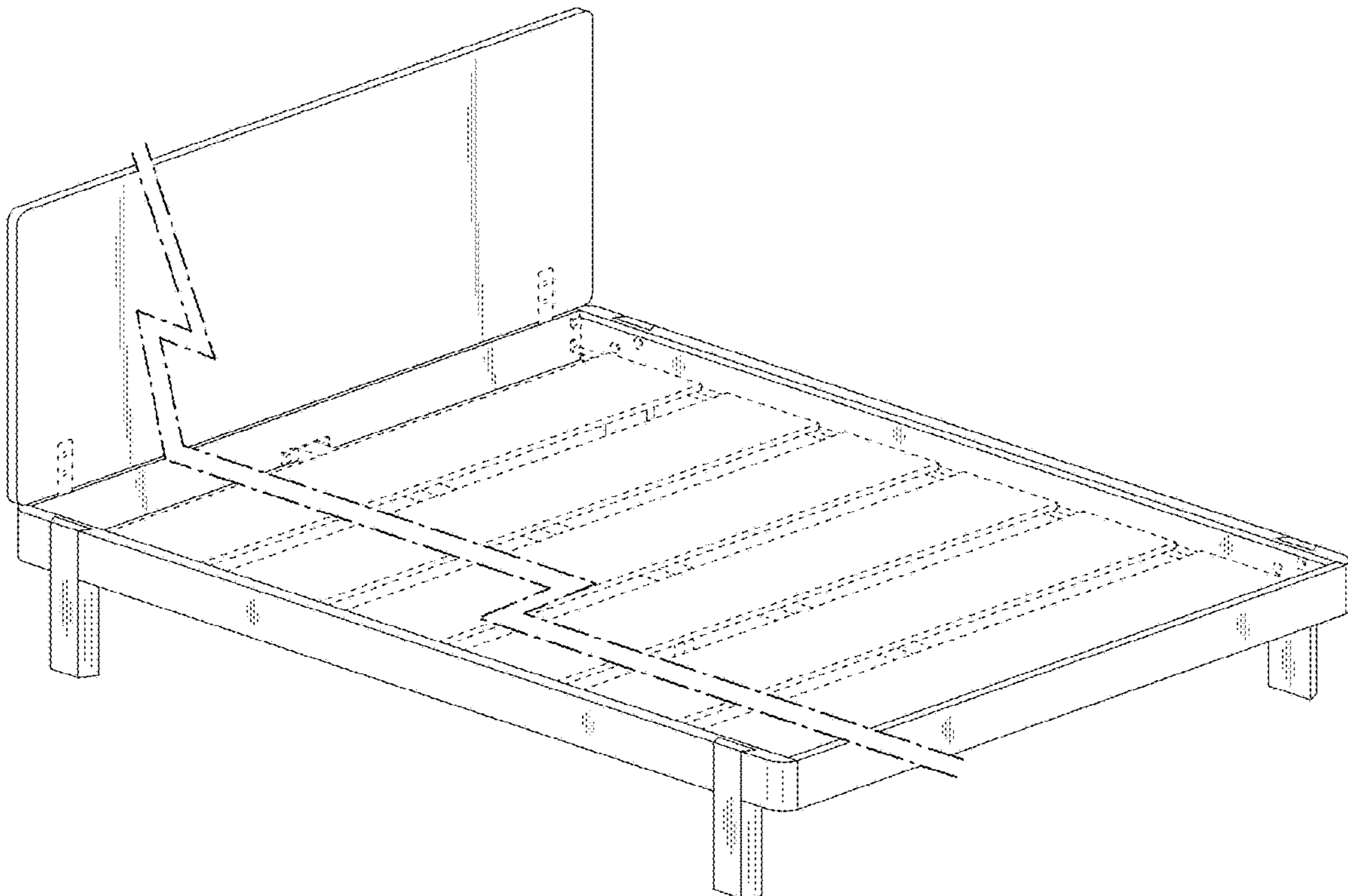
(57) **CLAIM**

The ornamental design for a bed frame, as shown and described.

**DESCRIPTION**

FIG. 1 is a top front left perspective view of a bed frame showing our new design; FIG. 2 is a front view of the design shown of FIG. 1; FIG. 3 is a rear view of the design shown of FIG. 1; FIG. 4 is a left side view of the design shown of FIG. 1; FIG. 5 is a right side view of the design shown of FIG. 1; FIG. 6 is a top view of the design shown of FIG. 1; and, FIG. 7 is a bottom view of the design shown of FIG. 1. The break lines shown in the middle portion of the bed frame in the Figures indicate that the appearance of any portion of the article between the break lines forms no part of the claimed design. The broken lines in the Figures illustrate portions of the bed frame that form no part of the claimed design.

**1 Claim, 7 Drawing Sheets**



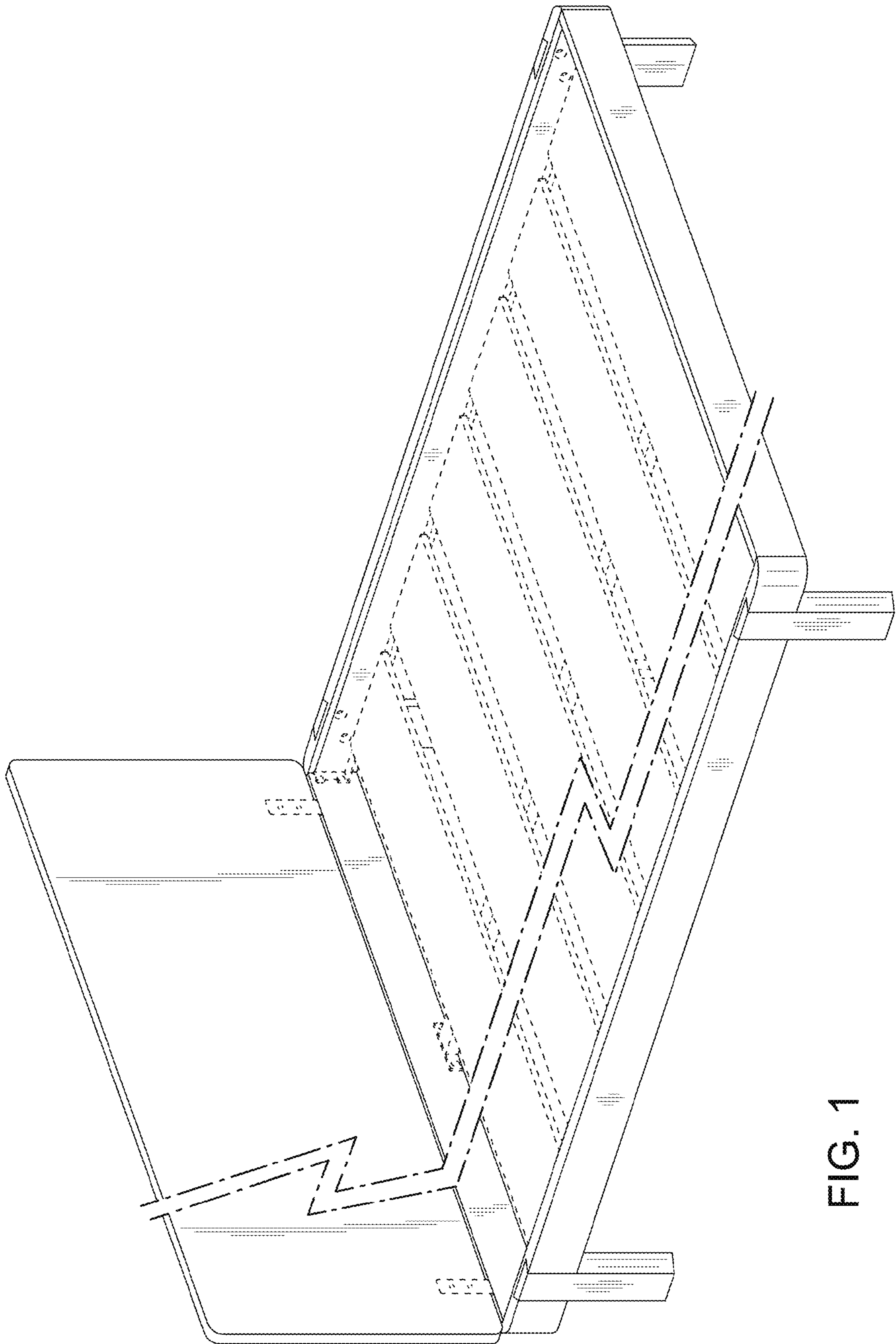


FIG. 1

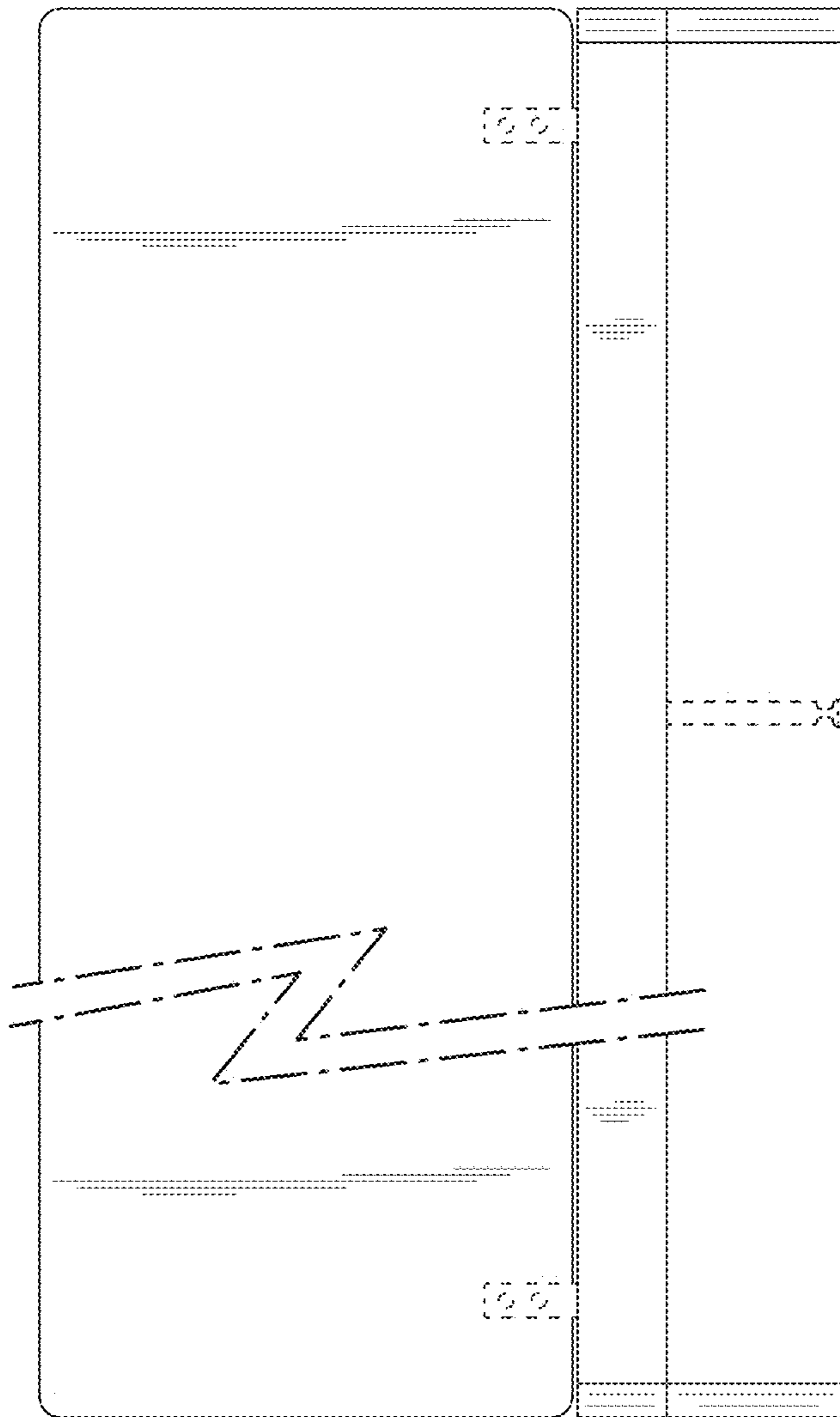


FIG. 2

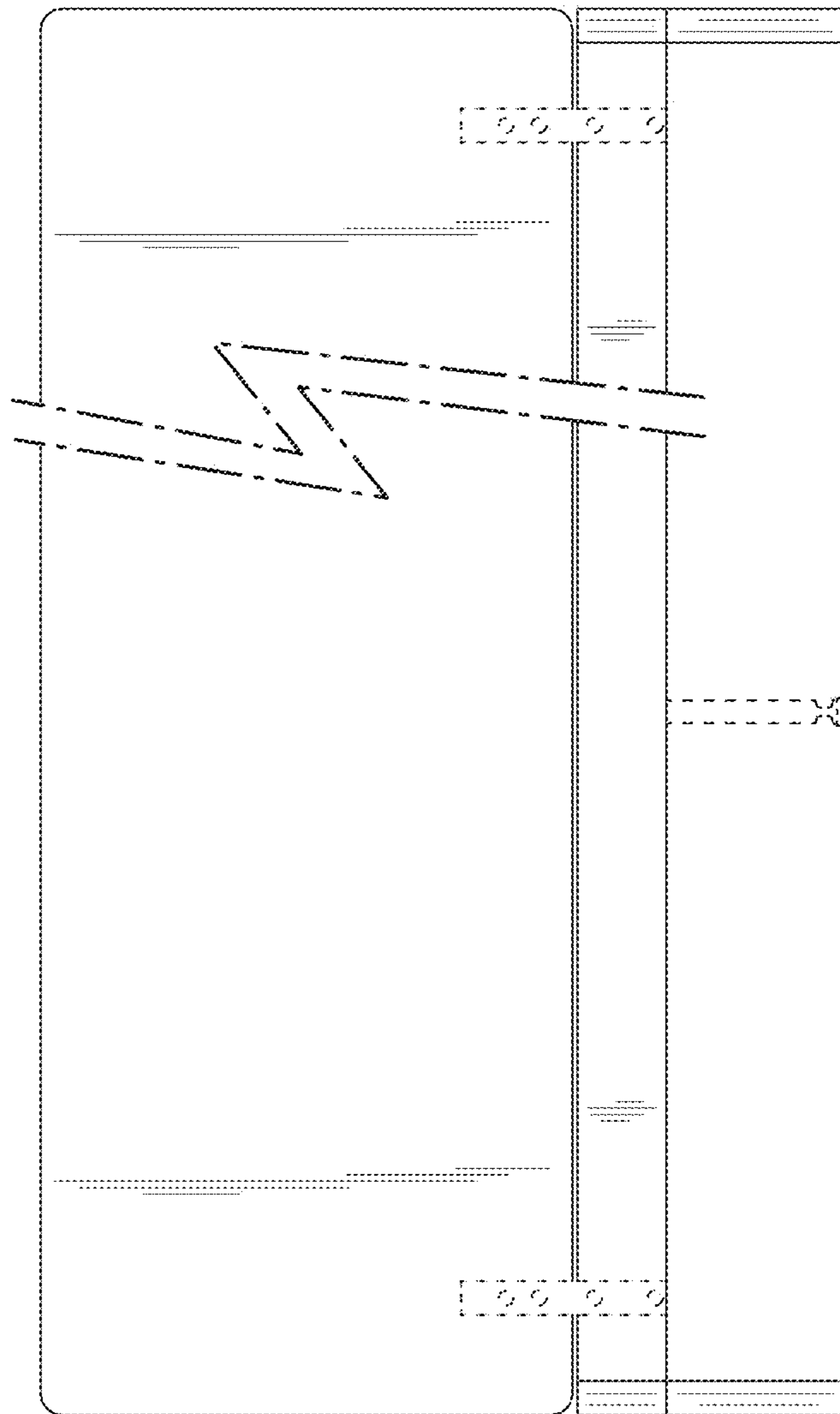


FIG. 3

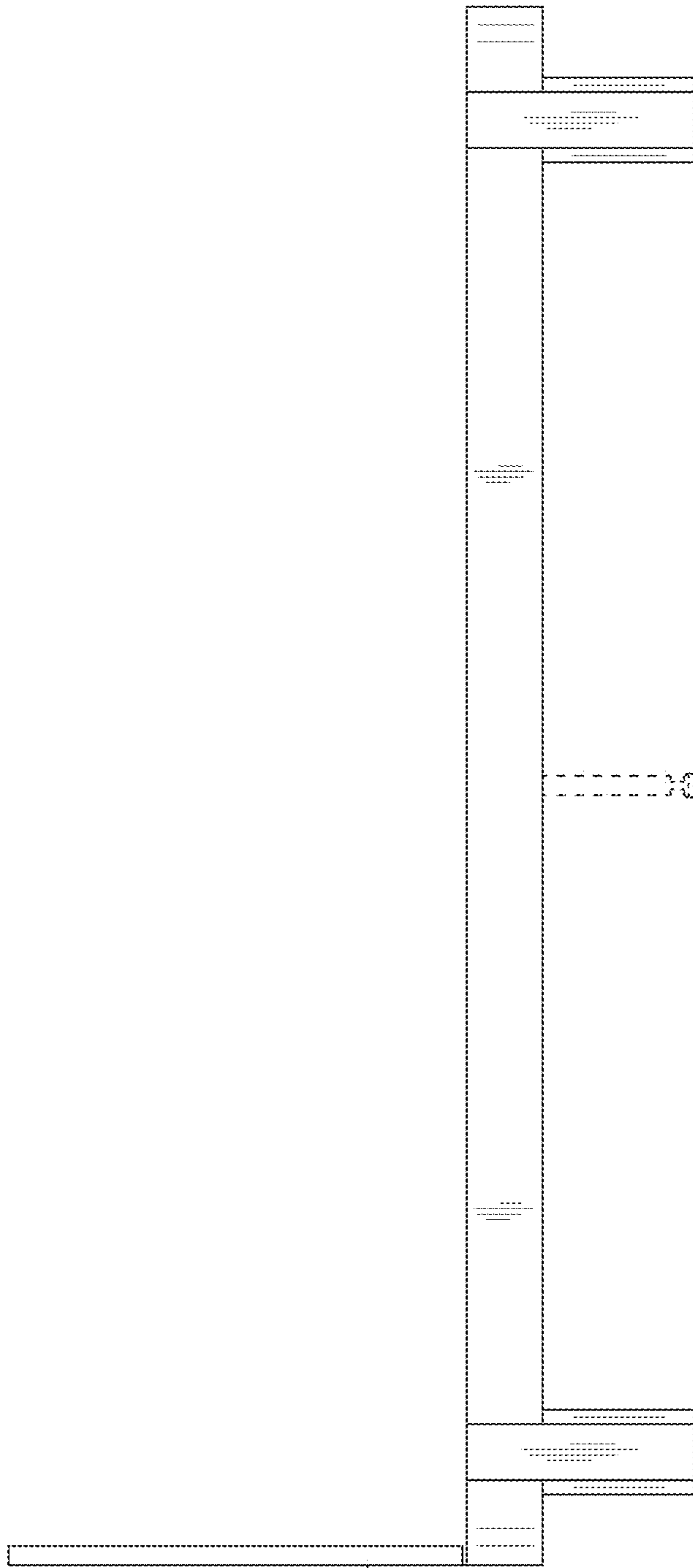


FIG. 4

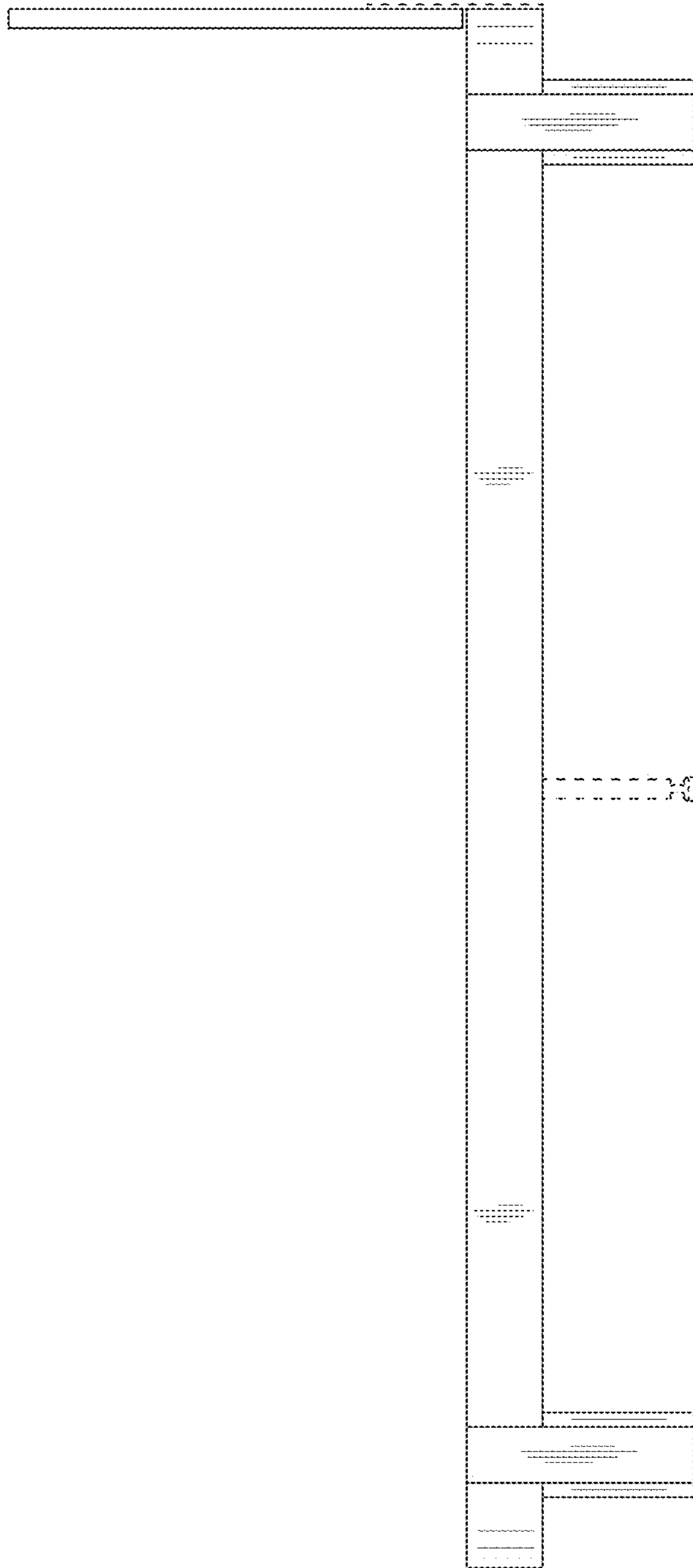


FIG. 5

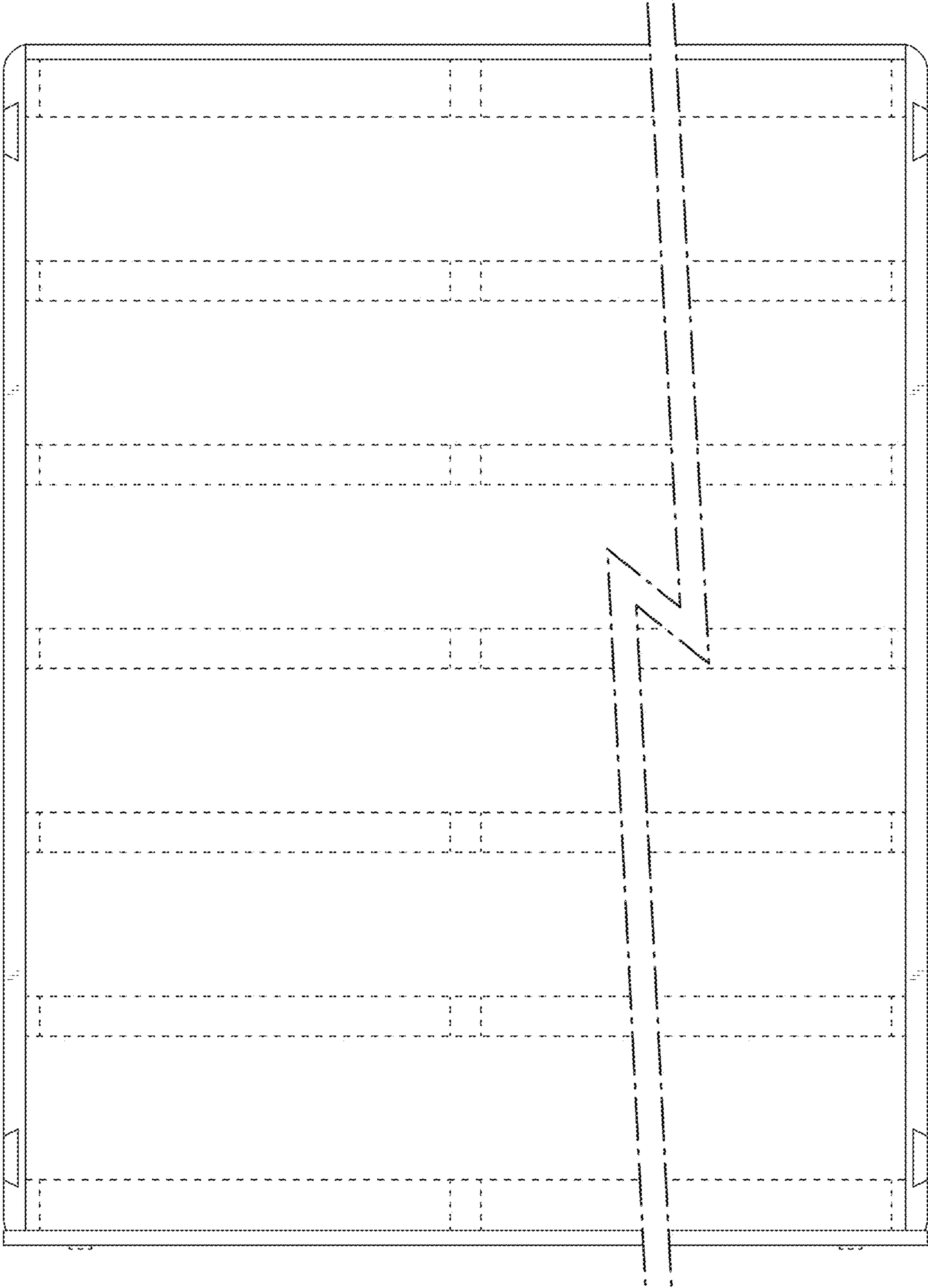


FIG. 6

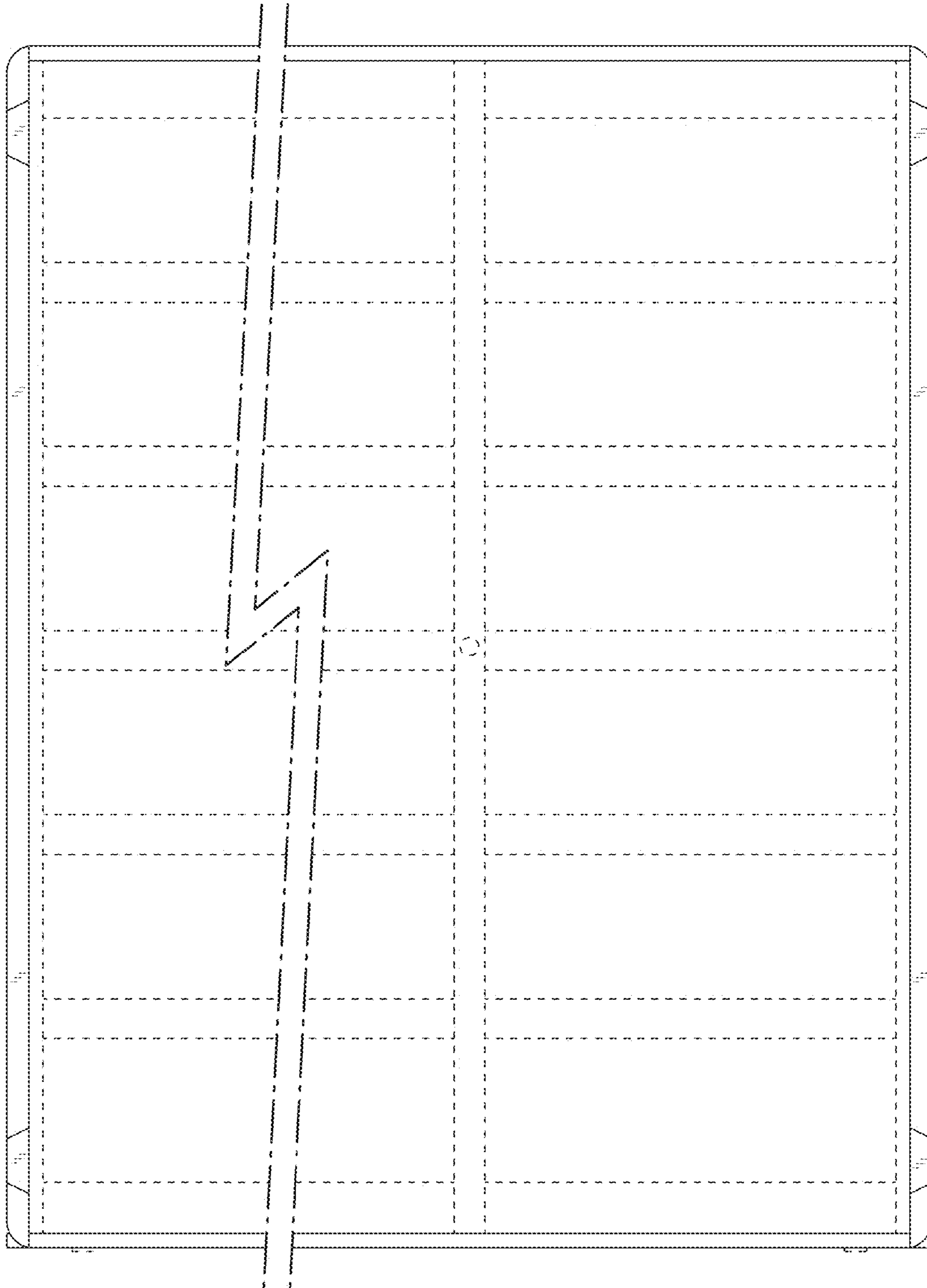


FIG. 7