



US00D903362S

(12) **United States Design Patent** (10) **Patent No.:** **US D903,362 S**  
**Jones** (45) **Date of Patent:** **\*\* Dec. 1, 2020**

(54) **CHAIR**  
(71) Applicant: **Williams-Sonoma, Inc.**, San Francisco, CA (US)  
(72) Inventor: **Anna Jones**, Brooklyn, NY (US)  
(73) Assignee: **Williams-Sonoma, Inc.**, San Francisco, CA (US)  
(\*\*) Term: **15 Years**

D481,213 S \* 10/2003 Chalmers ..... D6/360  
D481,216 S \* 10/2003 Chalmers ..... D6/360  
D527,931 S \* 9/2006 Kita ..... D6/364  
D574,643 S \* 8/2008 Petruccelli ..... D6/364  
D575,537 S \* 8/2008 Petruccelli ..... D6/334  
D610,378 S \* 2/2010 Kita ..... D6/364  
D670,514 S \* 11/2012 Petruccelli ..... D6/360  
D686,009 S \* 7/2013 Mari ..... D6/379  
D699,954 S \* 2/2014 Hidalgo ..... D6/335  
D723,811 S \* 3/2015 Weyts ..... D6/334  
D821,774 S \* 7/2018 Hale ..... D6/375  
2006/0097552 A1\* 5/2006 Hampton ..... A47C 7/24  
297/228.1

(21) Appl. No.: **29/650,369**

**OTHER PUBLICATIONS**

(22) Filed: **Jun. 6, 2018**

Lenox Dining Chair, west elm, Apr. 4, 2018 found on Mar. 7, 2020 at <https://www.westelm.com/products/lenox-dining-chair-h2551> (Year: 2018).\*

(51) **LOC (12) Cl.** ..... **06-01**

(52) **U.S. Cl.**  
USPC ..... **D6/380; D6/334**

(Continued)

(58) **Field of Classification Search**  
USPC ..... D6/334, 335, 349, 353, 354, 356, 360, D6/361, 362, 364, 365, 366, 374, 375, D6/379, 380, 381  
CPC .... A47C 4/02; A47C 4/04; A47C 4/52; A47C 11/00; A47C 15/002; A47C 1/03; A47C 7/002; A47C 1/00  
See application file for complete search history.

*Primary Examiner* — Karen S Acker  
(74) *Attorney, Agent, or Firm* — Cook Alex Ltd.; R. Blake Johnston

(57) **CLAIM**

The ornamental design for a chair, as shown and described.

(56) **References Cited**

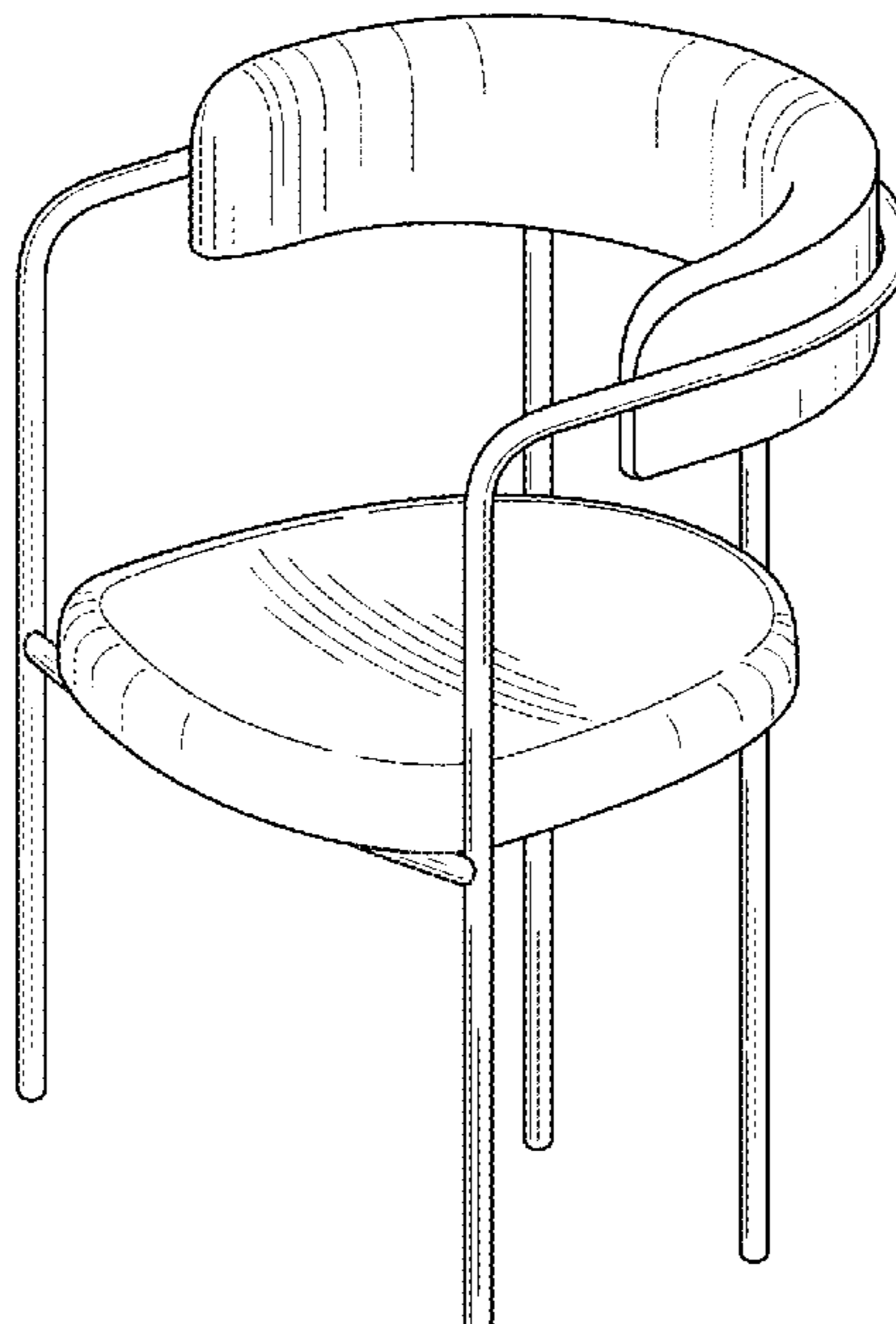
**DESCRIPTION**

**U.S. PATENT DOCUMENTS**

D150,339 S \* 7/1948 Cunningham ..... D6/374  
D190,569 S \* 6/1961 Mair ..... D6/369  
D225,925 S \* 1/1973 Duern et al. .... D6/374  
D235,496 S \* 6/1975 Akihiko et al. .... D6/379  
D275,054 S \* 8/1984 Aronowitz ..... D6/360  
D357,821 S \* 5/1995 Tedesco ..... D6/379  
D371,012 S \* 6/1996 Klein ..... D6/373  
D406,198 S \* 3/1999 Lin ..... D6/379  
D408,646 S \* 4/1999 Lin ..... D6/379  
D433,832 S \* 11/2000 Pizarro ..... D6/365  
D478,430 S \* 8/2003 Olson ..... D6/380

FIG. 1 is a perspective view of the chair;  
FIG. 2 is a front elevational view thereof;  
FIG. 3 is a rear elevational view thereof;  
FIG. 4 is a right side elevational view thereof;  
FIG. 5 is a left side elevational view thereof;  
FIG. 6 is a top plan view thereof; and,  
FIG. 7 is a bottom plan view thereof.  
The features drawn in broken line in FIG. 2 depict portions of the chair that form no part of the claimed design.

**1 Claim, 4 Drawing Sheets**



(56)

**References Cited**

OTHER PUBLICATIONS

Simple Living Retro Velvet Dining Arm Chair, 2019, found on Oct. 1, 2020 at <https://www.overstock.com/Home-Garden/Simple-Living-Retro-Velvet-Dining-Arm-Chair-Set-of-2/26279218/product.html?option=53353405> (Year: 2019).\*

Carrigan Velvet Upholstered Side Chair, 2019, found on Oct. 1, 2020 at <https://www.wayfair.com/furniture/pdp/mercer41-carrigan-velvet-upholstered-side-chair-w001487251.html?piid=798315858> (Year: 2019).\*

Silver Orchid Gregor Clam Velvet Chair, 2019, found on Oct. 1, 2020 at <https://www.overstock.com/Home-Garden/Silver-Orchid-Gregor-Glam-Velvet-Chair-Set-of-2/28670182/product.html> (Year: 2019).\*

\* cited by examiner

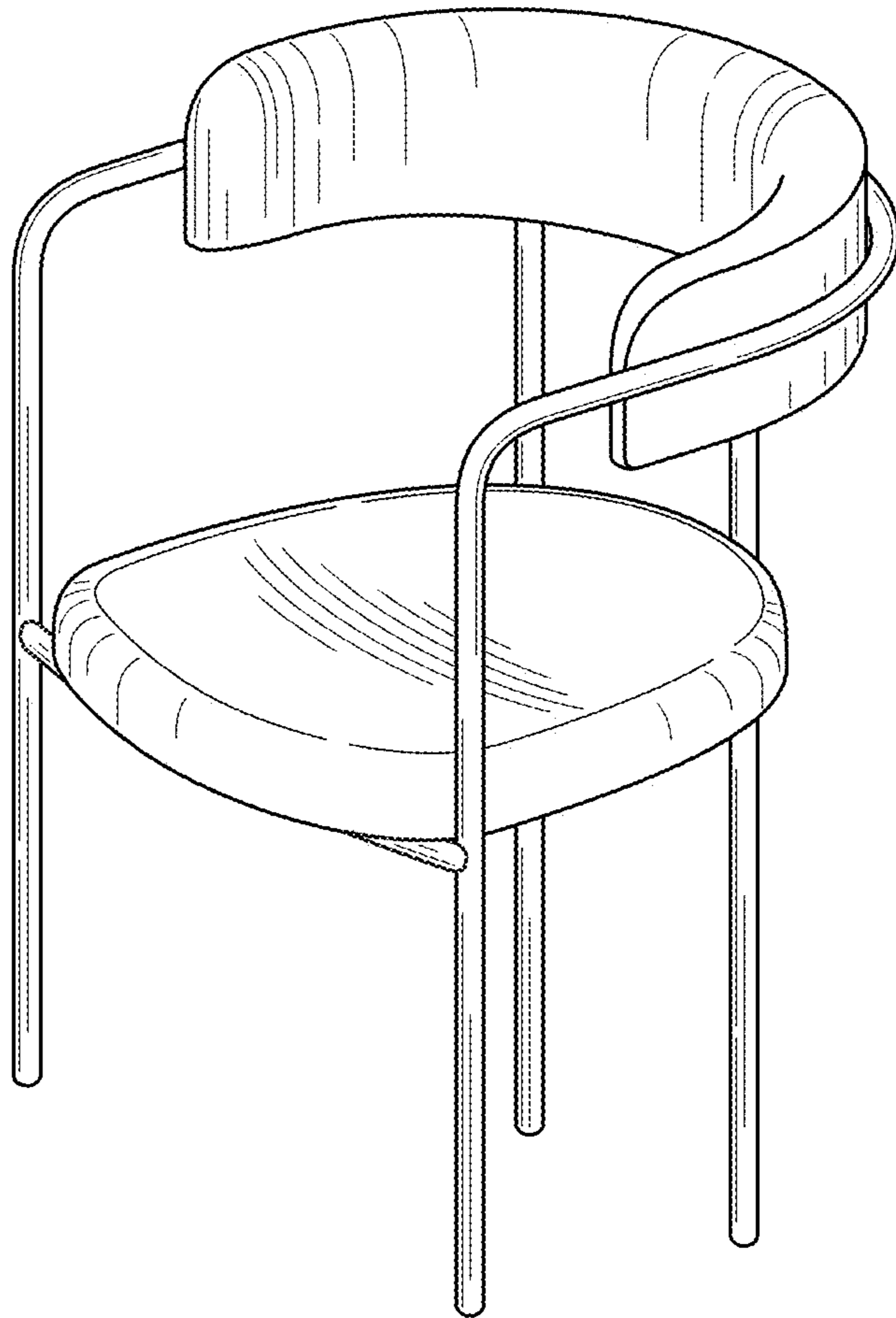


FIG. 1

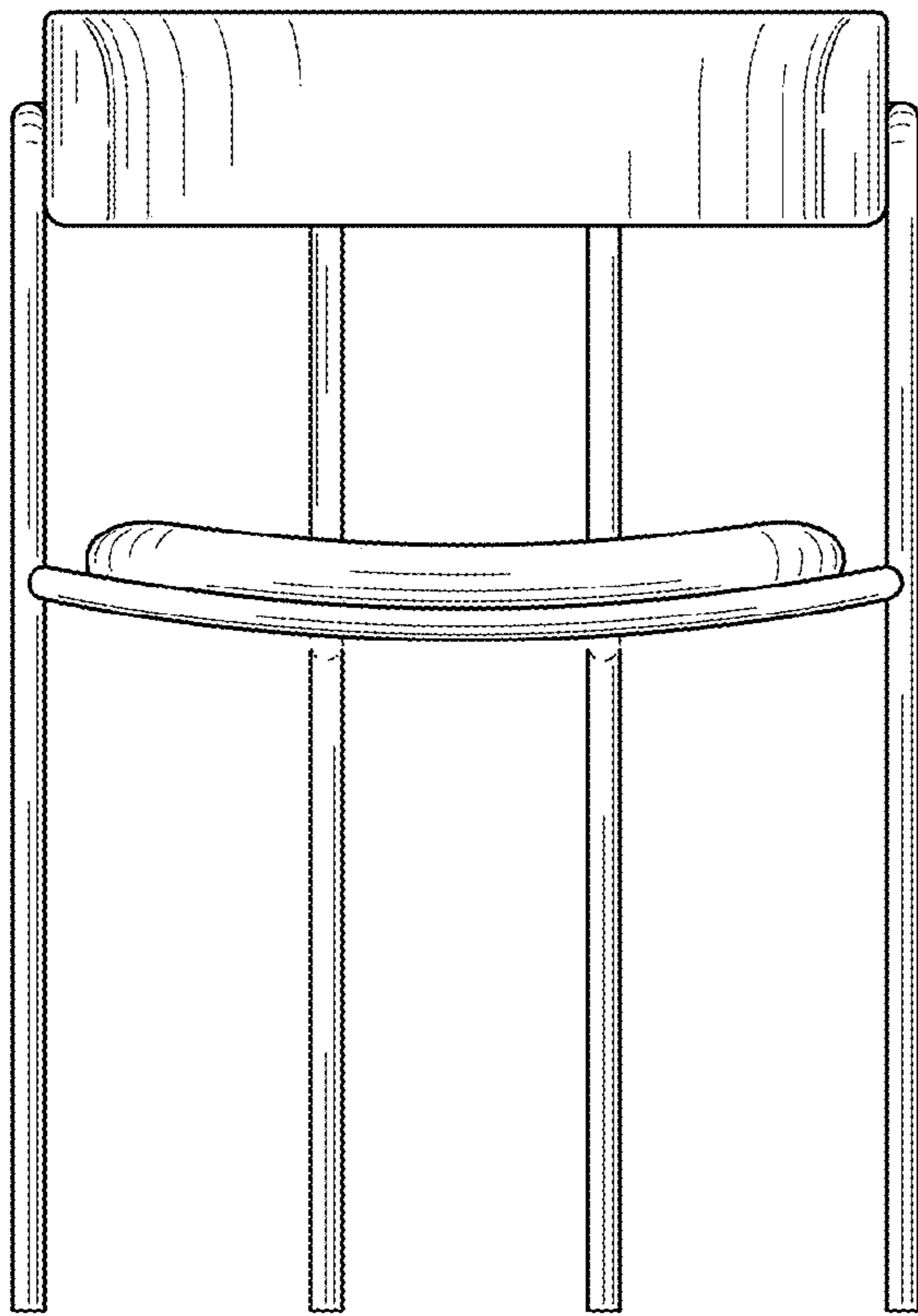


FIG. 2

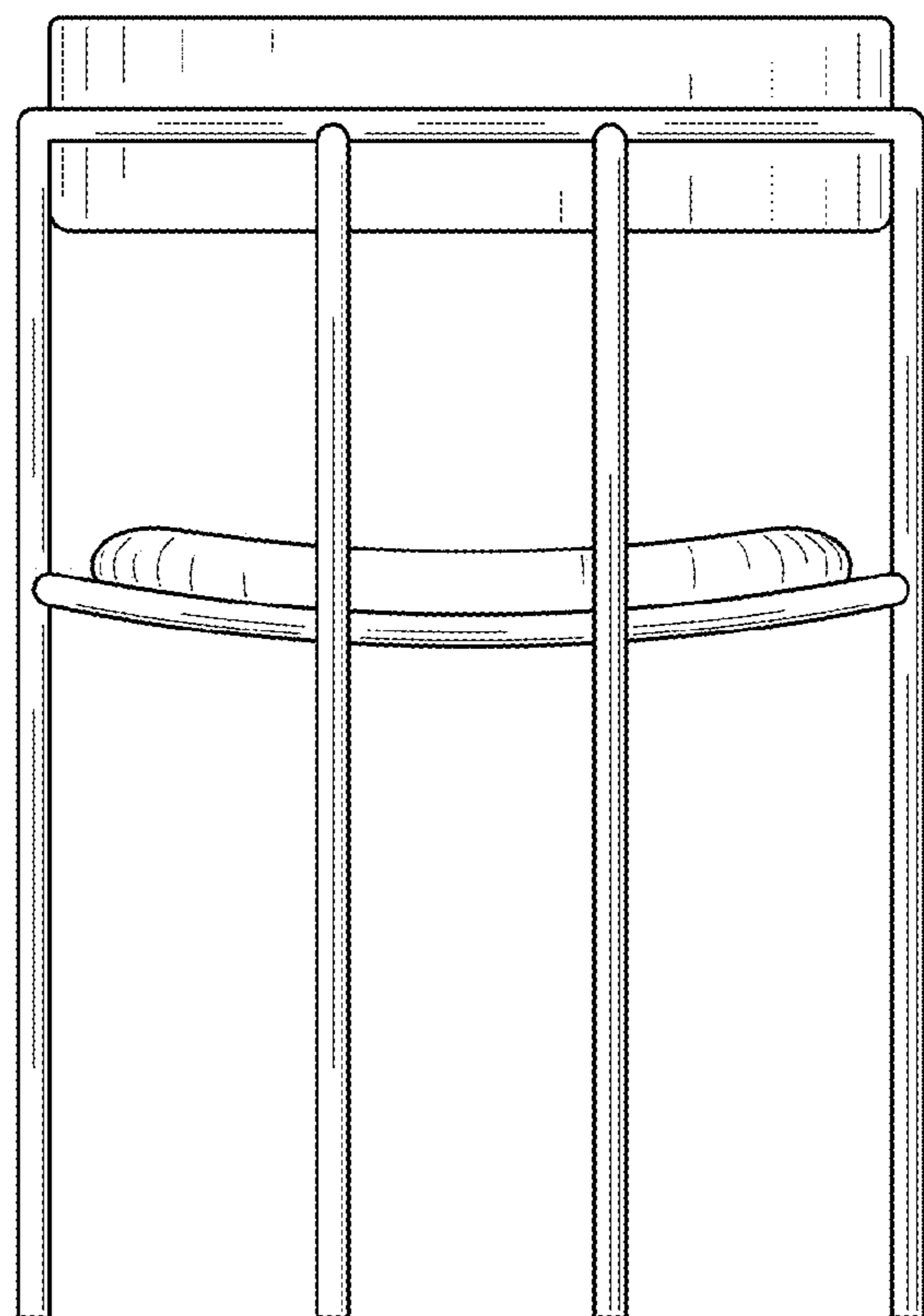


FIG. 3

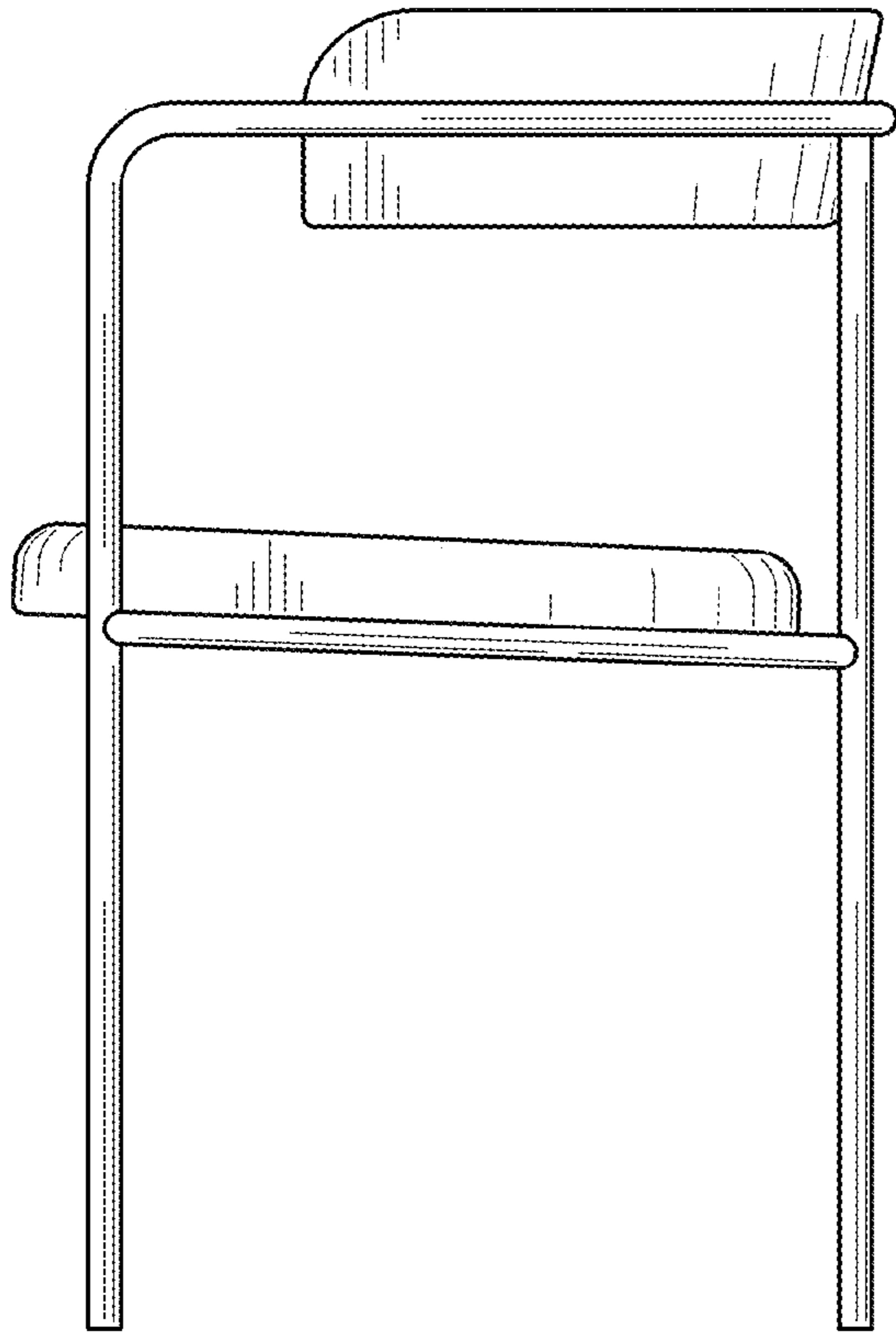


FIG. 4

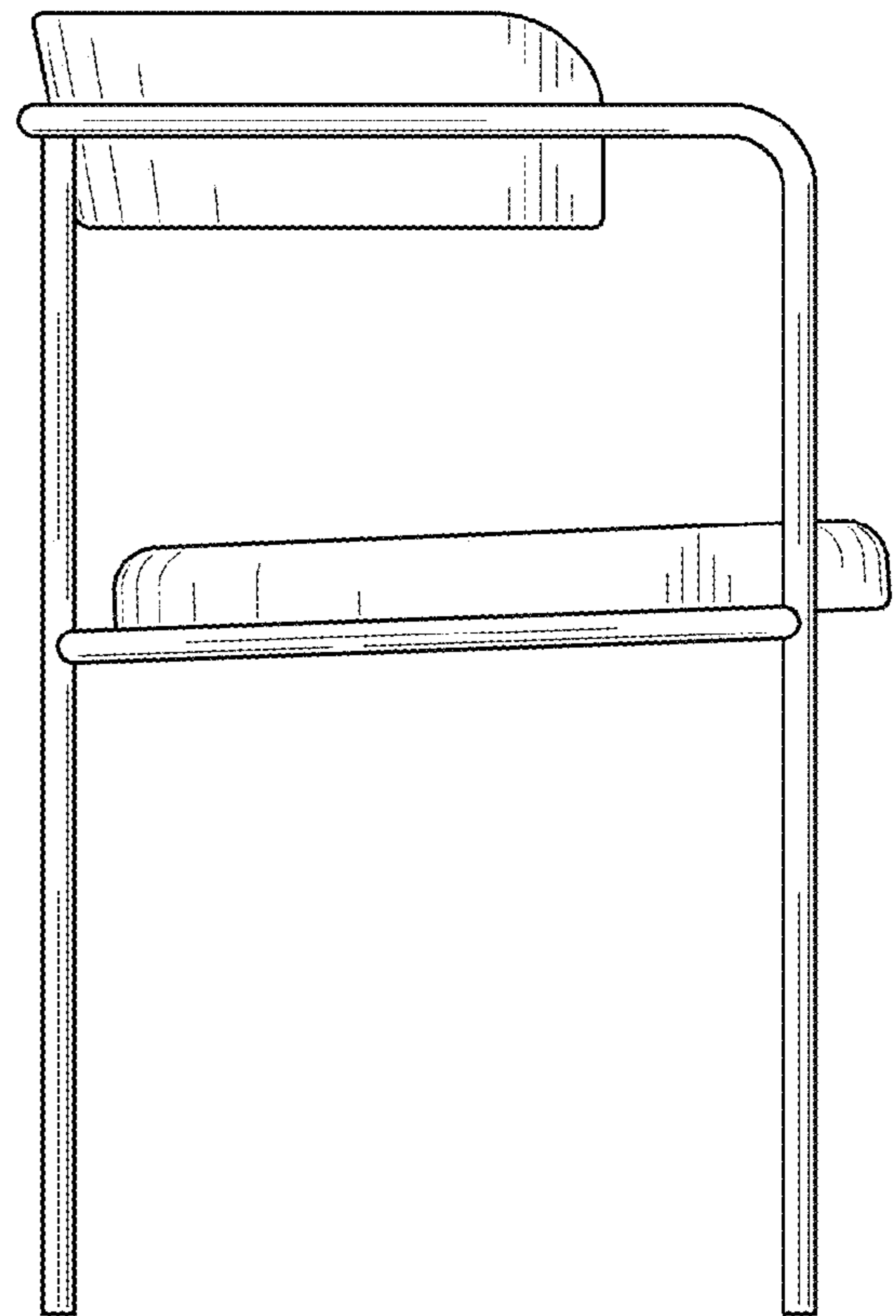


FIG. 5



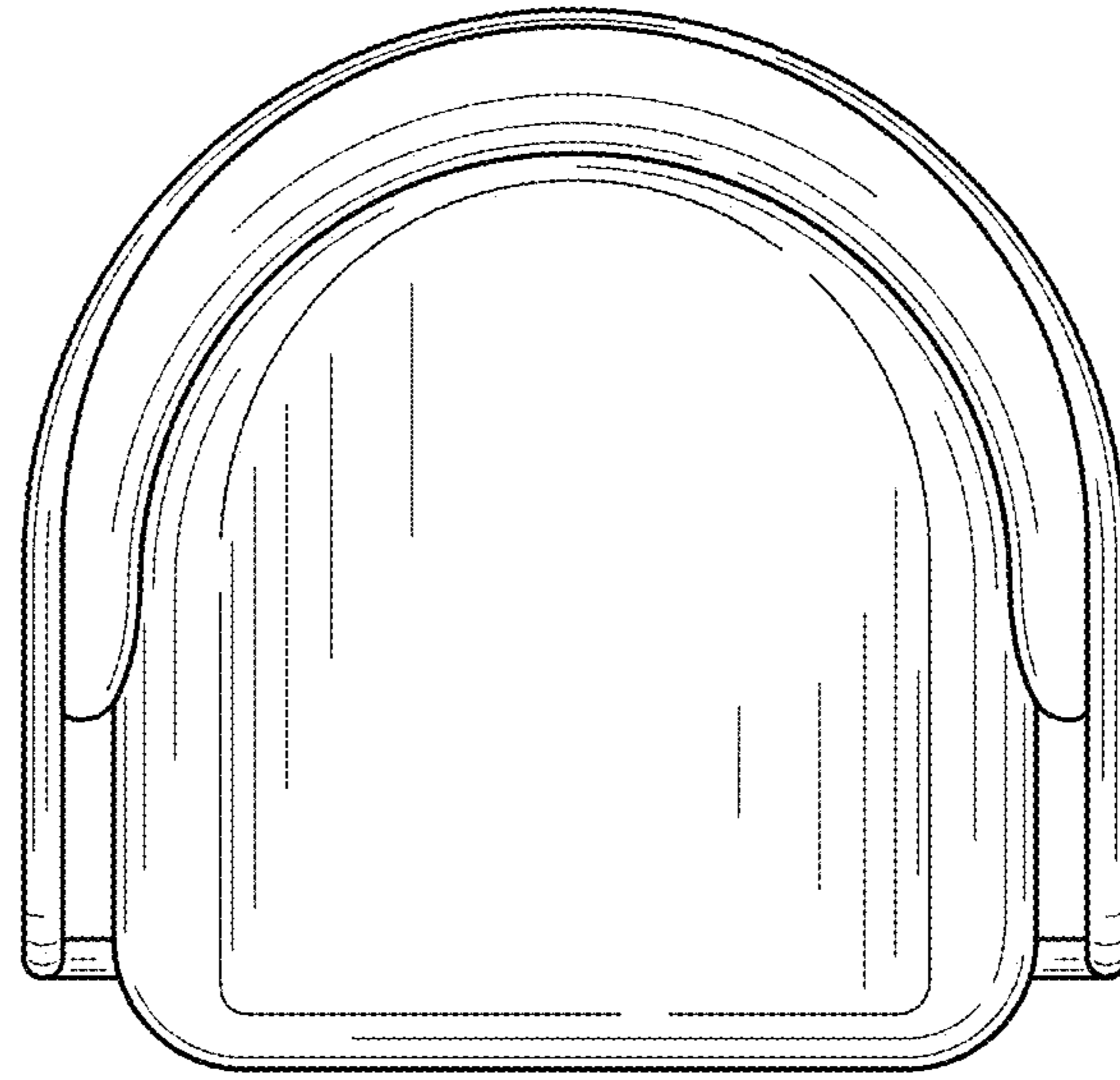


FIG. 6

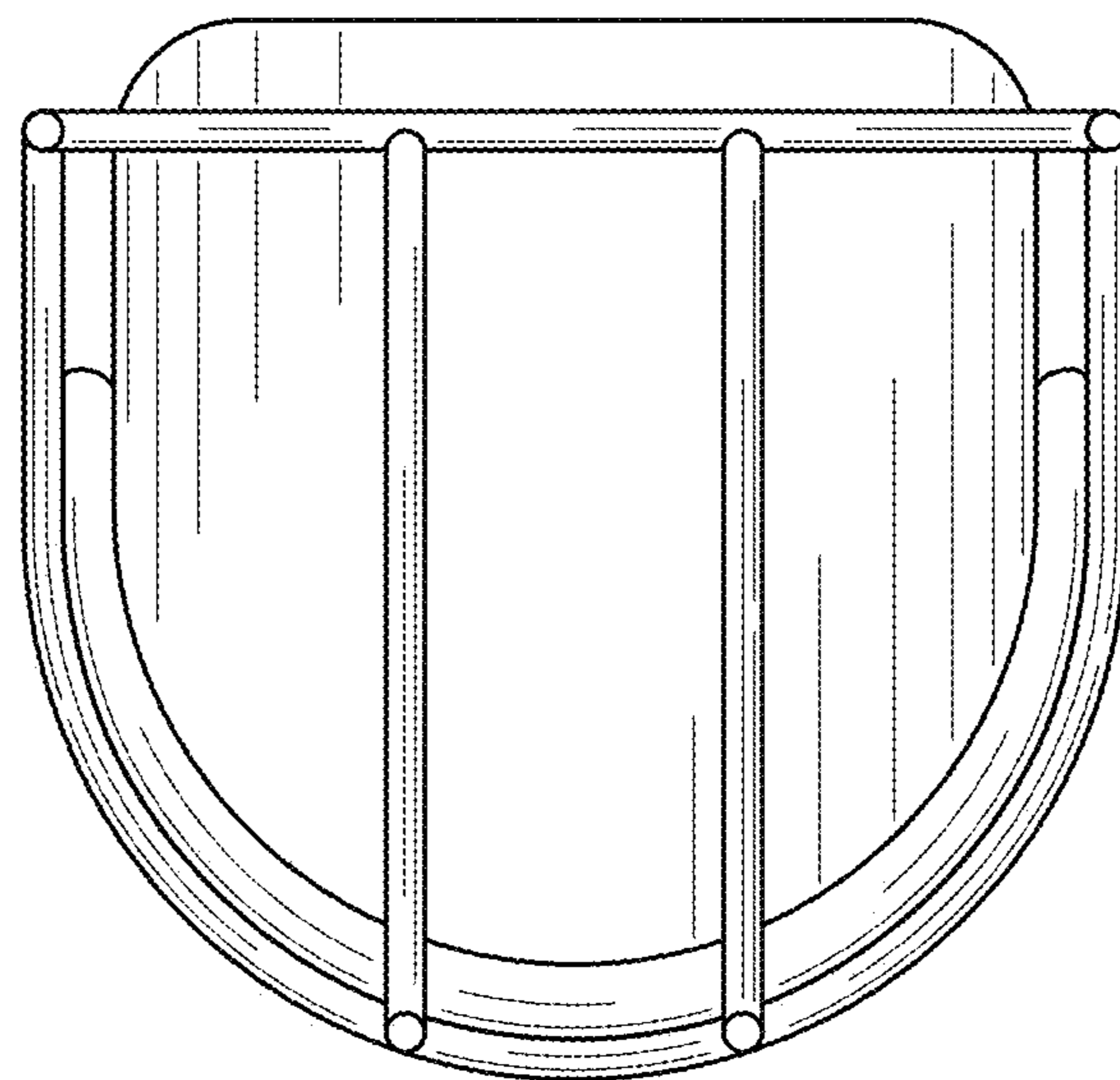


FIG. 7