



US00D903361S

(12) **United States Design Patent**
Garcia Lax

(10) **Patent No.:** **US D903,361 S**
(45) **Date of Patent:** **** Dec. 1, 2020**

- (54) **CHAIR**
- (71) Applicant: **SANCAL DISEÑO, S.L.**, Murcia (ES)
- (72) Inventor: **Rafael Garcia Lax**, Murcia (ES)
- (73) Assignee: **SANCAL DISEÑO, S.L.**, Murcia (ES)
- (**) Term: **15 Years**
- (21) Appl. No.: **29/676,577**
- (22) Filed: **Jan. 11, 2019**
- (30) **Foreign Application Priority Data**

D237,662 S *	11/1975	Subert	D6/334
D288,506 S *	3/1987	Ochsner	D6/375
D585,207 S *	1/2009	Bauchet	D6/375
D655,099 S *	3/2012	Werner	D6/371
D664,381 S *	7/2012	Kubryk	D6/366
D683,570 S *	6/2013	Kubryk	D6/366
D799,873 S *	10/2017	Swy	D6/716
D828,063 S *	9/2018	Yuglich	D6/716

(Continued)

FOREIGN PATENT DOCUMENTS

CN	303921377	*	6/2016
CN	304778291	*	2/2018
CN	304797878	*	5/2018

(Continued)

OTHER PUBLICATIONS

Sancal ,Nido A haven of comfort,[online]retrieved Apr. 6, 2020, available from internet, <https://sancal.com/en/> (Year: 2020).*

(Continued)

Primary Examiner — Keli L Hill
Assistant Examiner — Sara S Sahneh
(74) *Attorney, Agent, or Firm* — Arent Fox LLP

(57) **CLAIM**

The ornamental design for a chair, as shown and described.

DESCRIPTION

FIG. 1 is a left side view of a chair showing my new design, the right side view being a mirror image thereof; FIG. 2 is a rear view of the design shown in FIG. 1; FIG. 3 is a rear right perspective view of the design shown in FIG. 1; and, FIG. 4 is a top front perspective view of the design shown in FIG. 1.

The bottom of the chair forms no part of the claimed design.

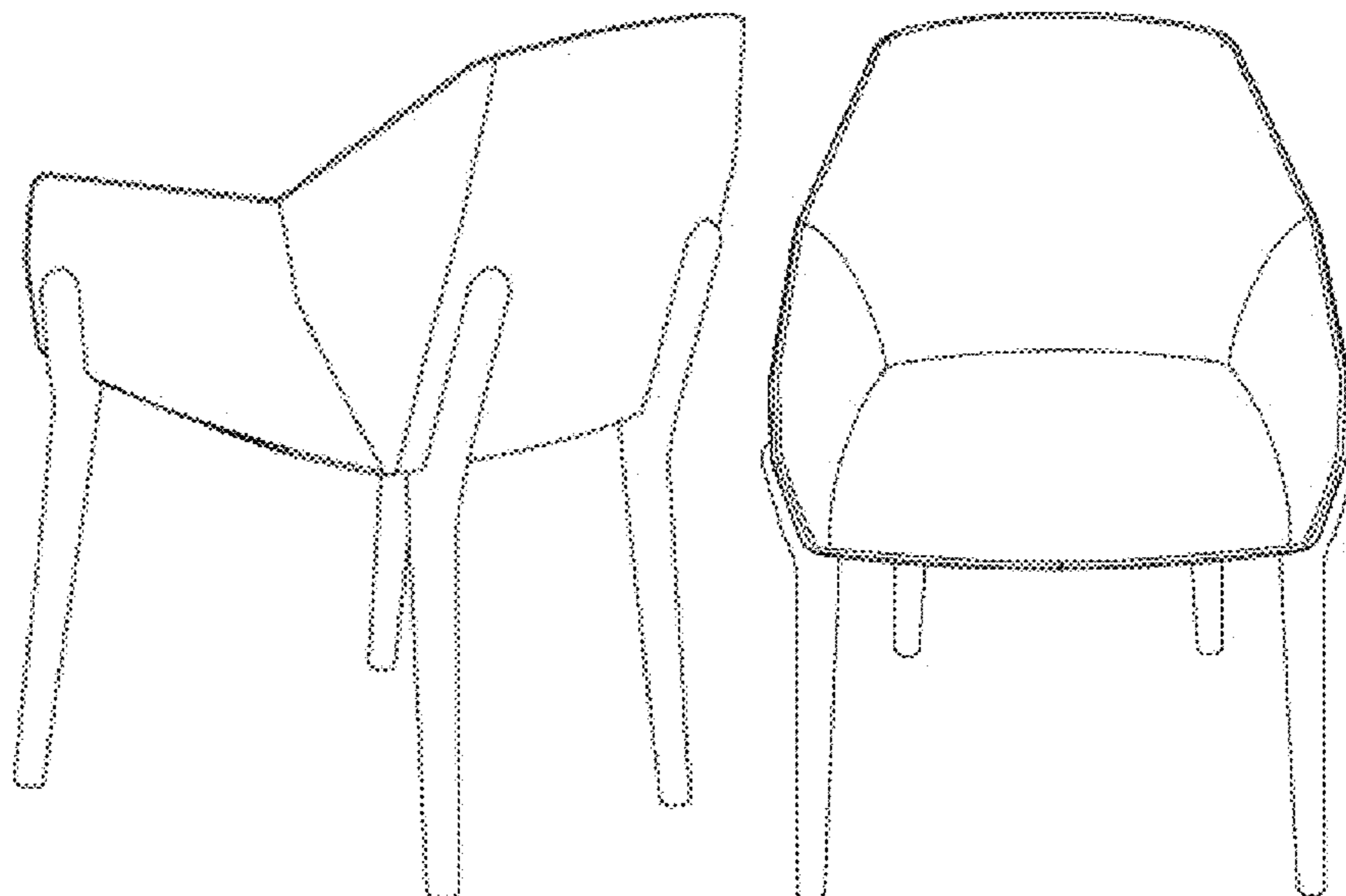
1 Claim, 4 Drawing Sheets

- Jul. 11, 2018 (EM) 005500121-0005
- (51) **LOC (12) Cl.** **06-01**
- (52) **U.S. Cl.**
USPC **D6/375; D6/374**
- (58) **Field of Classification Search**
USPC D6/373, 374, 375, 716, 369, 716.4, 360, D6/380, 348, 334, 361, 364, 377, 677, D6/341, 349, 350, 352, 353, 379, 381, D6/370, 717, 358, 708.16, 336, 357, 362, D6/363, 365, 366, 371; 297/217.1, 440.1, 297/440.21, 452.14
CPC .. A47C 11/00; A47C 4/02; A47C 4/03; A47C 4/08; A47C 4/024; A47C 4/025; A47C 4/028; A47C 5/04; A47C 7/16; A47C 5/12; A47C 7/36; A47C 7/40; A47C 9/007; A47C 13/023; A47C 5/08; A47C 17/175; A47C 13/005; A47C 11/005
See application file for complete search history.

(56) **References Cited**

U.S. PATENT DOCUMENTS

3,408,106 A *	10/1968	Bolling	A47C 5/12
			297/452.14
3,490,810 A *	1/1970	Putnam	A47C 7/18
			297/452.16



(56)

References Cited

U.S. PATENT DOCUMENTS

D867,780 S * 11/2019 Krusin D6/374
D871,788 S * 1/2020 Gori D6/360

FOREIGN PATENT DOCUMENTS

CN 304832006 * 5/2018
CN 304989518 * 9/2018
CN 305128000 * 9/2018
CN 305068675 * 10/2018
EM 003429125-0002 * 10/2016
WO D204263-001 * 6/2019

OTHER PUBLICATIONS

Sancal ,Lounge chair,[online]retrieved Apr. 2, 2020, available from internet, <https://sancal.com/en/> (Year: 2020).*

Screen captures from YouTube video clip entitled "NIDO by Rafa Garcia" 2 pages, uploaded on May 10, 2018 by user "SANCAL". Retrieved from Internet: <<https://www.youtube.com/watch?v=2oXzmn2MN1Q>> (Year: 2018).*

* cited by examiner

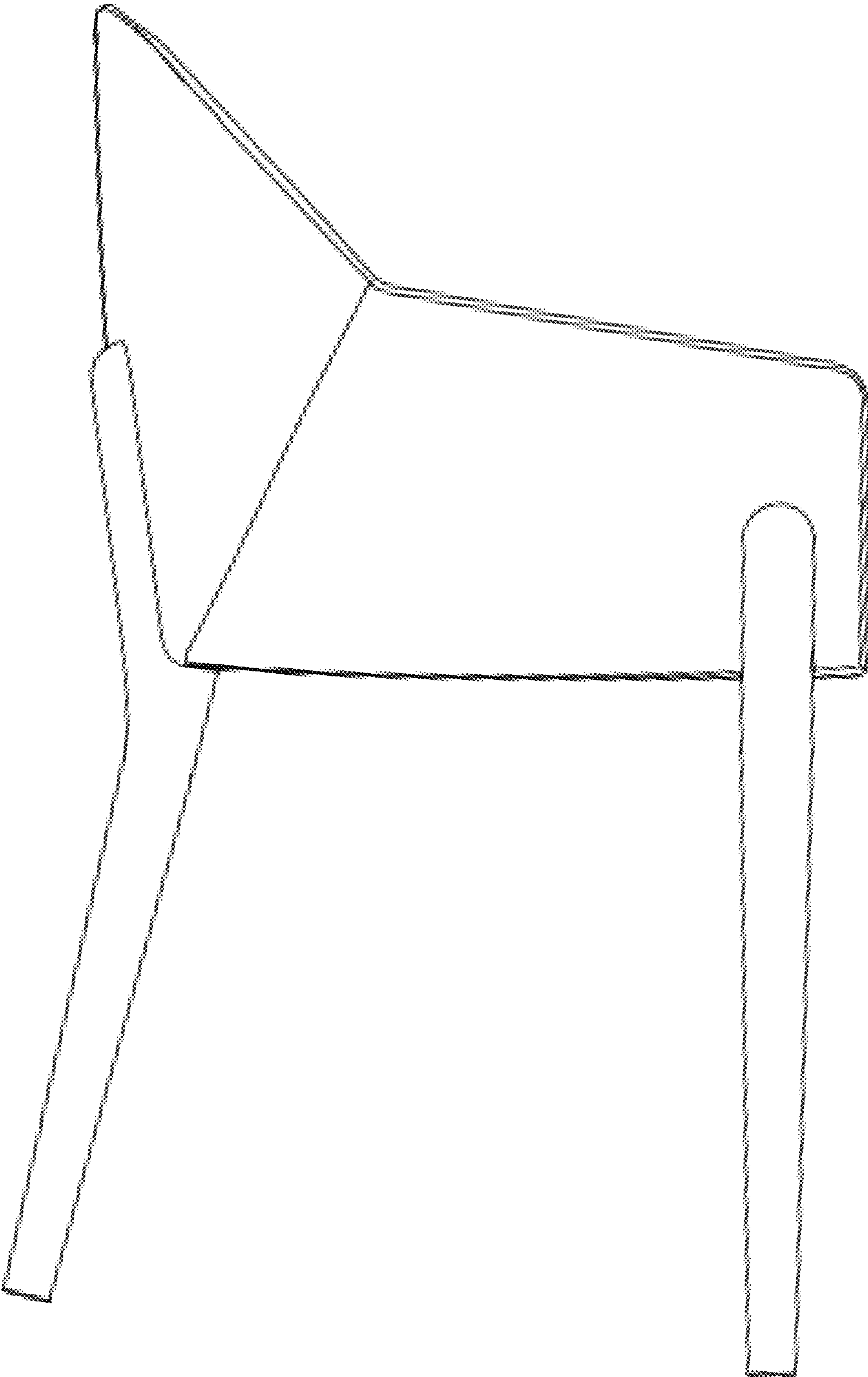


FIG. 1

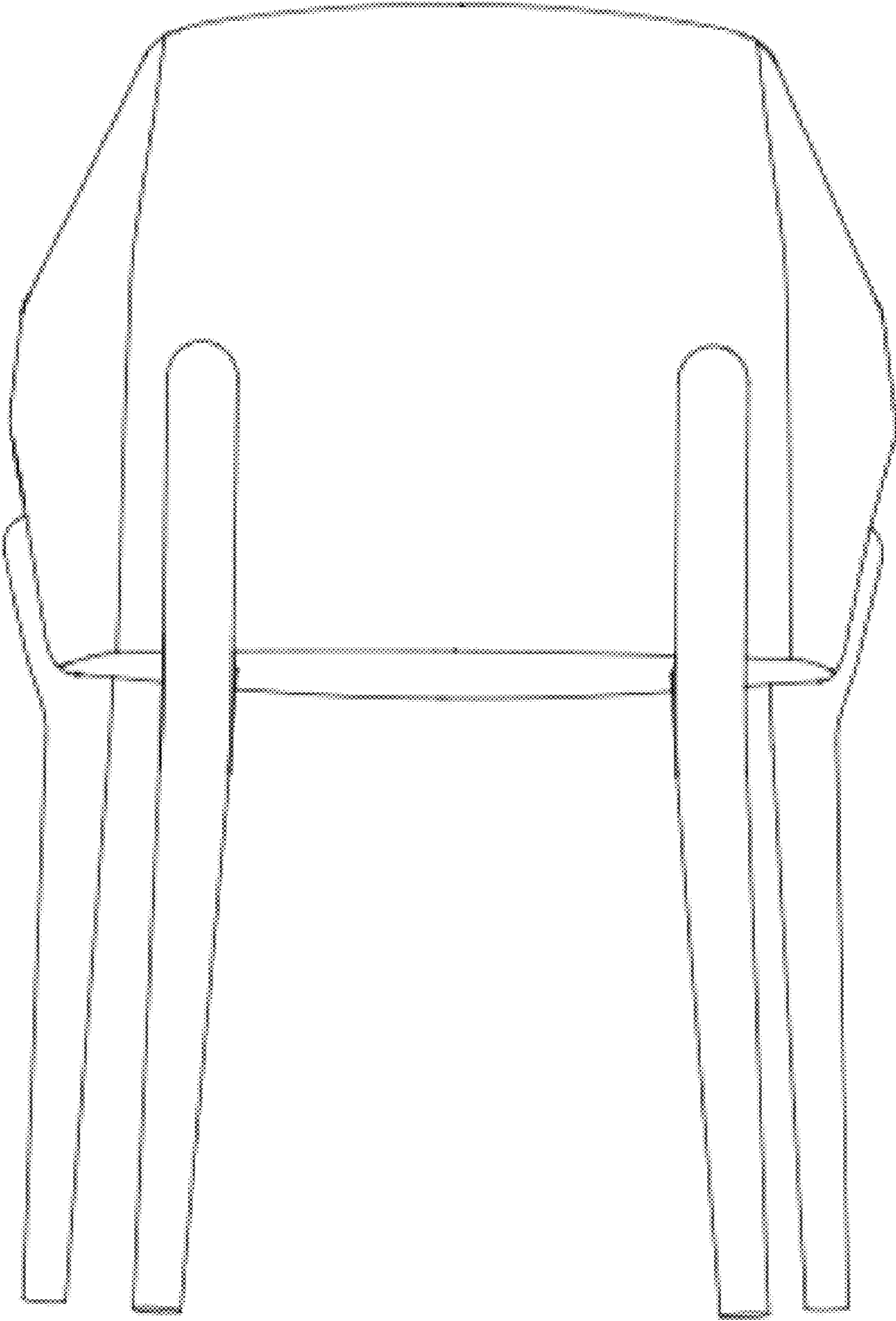


FIG. 2

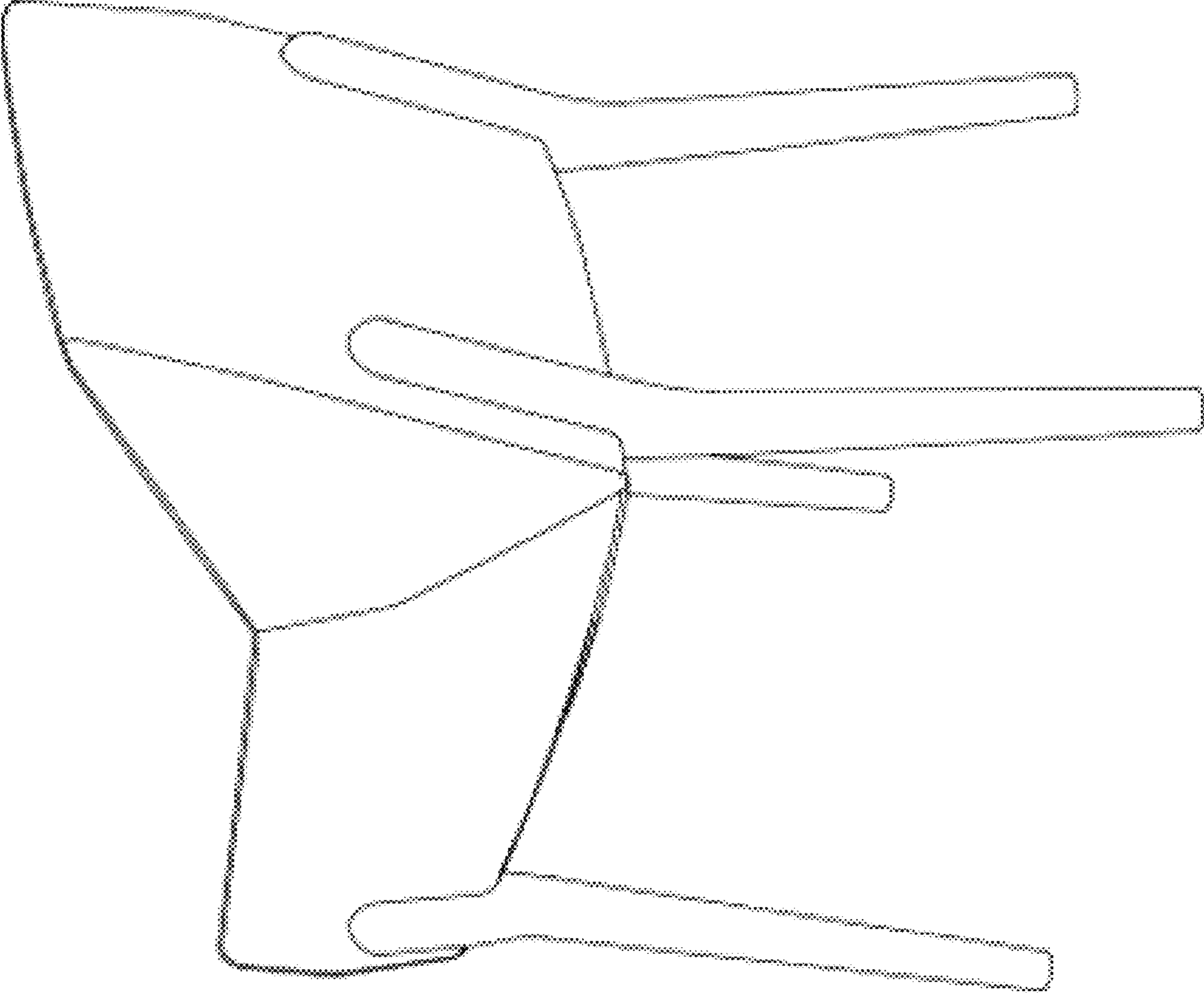


FIG. 3

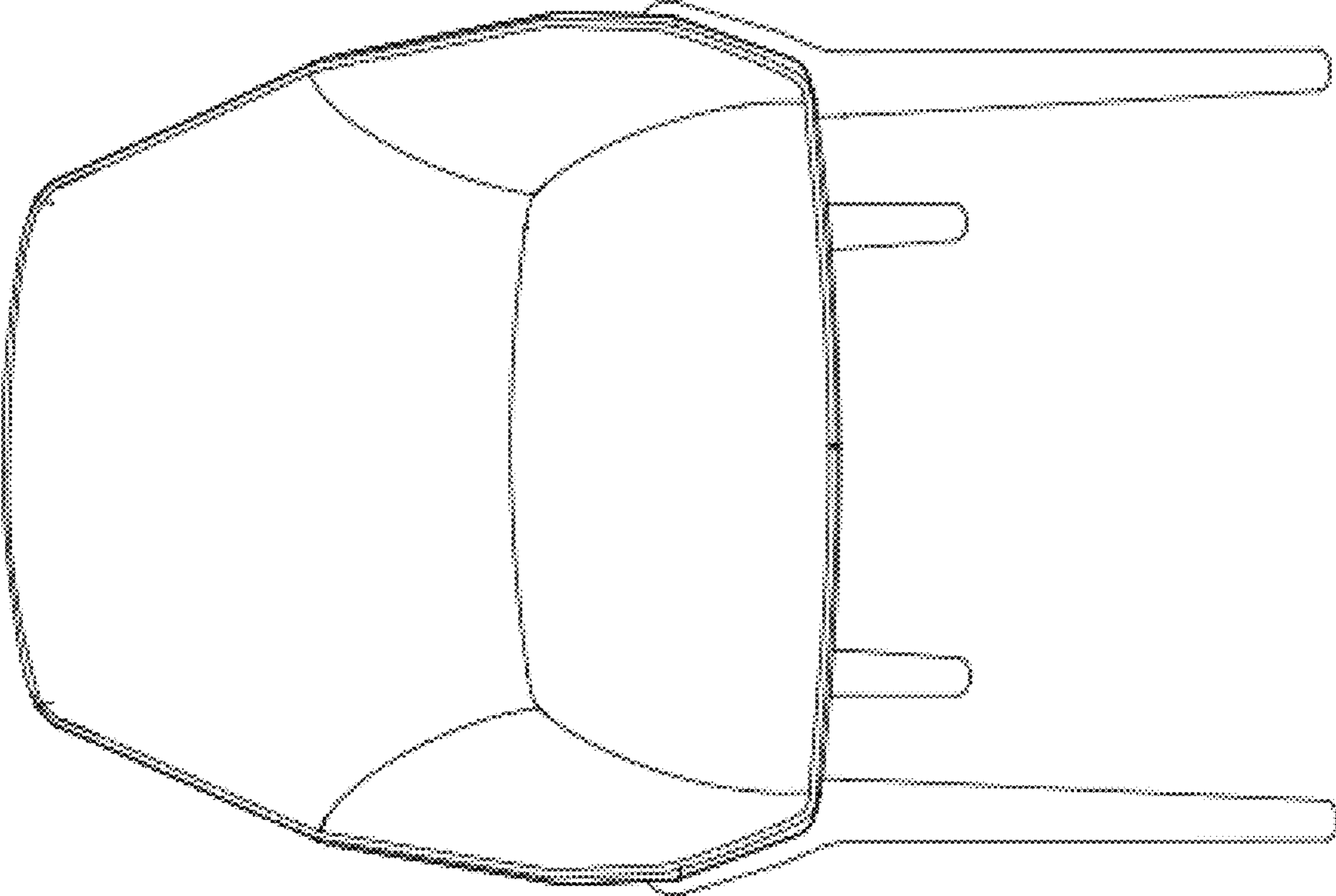


FIG. 4