



US00D903359S

(12) **United States Design Patent** (10) **Patent No.:** **US D903,359 S**  
**Young** (45) **Date of Patent:** **\*\* Dec. 1, 2020**

(54) **FURNITURE**

FOREIGN PATENT DOCUMENTS

(71) Applicant: **Blu Dot Design & Manufacturing, Inc.**, Minneapolis, MN (US)

CN 302161309 \* 5/2012  
CN 304010001 \* 7/2016

(Continued)

(72) Inventor: **Warren Young**, Roseville, MN (US)

OTHER PUBLICATIONS

(73) Assignee: **Blu Dot Design & Manufacturing, Inc.**, Minneapolis, MN (US)

Dog Days Outdoor Lounge Chair, [online]retrieved Apr. 30, 2020, available from internet, <https://www.bludot.com/dog-days-outdoor-lounge-chair.html> (Year: 2020).\*

(\*\*) Term: **15 Years**

(Continued)

(21) Appl. No.: **29/685,056**

(22) Filed: **Mar. 26, 2019**

*Primary Examiner* — Keli L Hill

*Assistant Examiner* — Sara S Sahneh

(51) **LOC (12) Cl.** ..... **06-01**

(74) *Attorney, Agent, or Firm* — Fredrikson & Byron, P.A.

(52) **U.S. Cl.**

USPC ..... **D6/374; D6/379**

(58) **Field of Classification Search**

USPC ..... D6/329, 334, 367–376, 358–366, 353, D6/335–340, 352, 377–383, 392–395, D6/710–712, 716, 716.1, 716.2, 716.3; 297/440.1, 440.21, 452.14

(57) **CLAIM**

Applicant claims the ornamental design for a furniture, as shown and described.

CPC .. A47C 11/00; A47C 4/02; A47C 4/03; A47C 4/08; A47C 4/024; A47C 4/025; A47C 4/028; A47C 5/04; A47C 7/16; A47C 5/12; A47C 7/36; A47C 7/40; A47C 9/007; A47C 13/023; A47C 5/08; A47C 17/175; A47C 13/005; A47C 11/005

**DESCRIPTION**

See application file for complete search history.

FIG. 1 is a front upper perspective view of a furniture of Applicant's design;

FIG. 2 is a front elevational view thereof;

FIG. 3 is a rear elevational view thereof;

FIG. 4 is a first side elevational view thereof;

FIG. 5 is a second side elevational view thereof, the second side elevational view being opposite the first side elevational view;

FIG. 6 is a top plan view thereof; and,

FIG. 7 is a bottom plan view thereof.

Where included, broken lines showing environment or structure are for illustrative purposes only and form no part of the claimed design.

The appearance of any portion of the furniture between the break lines forms no part of the claimed design.

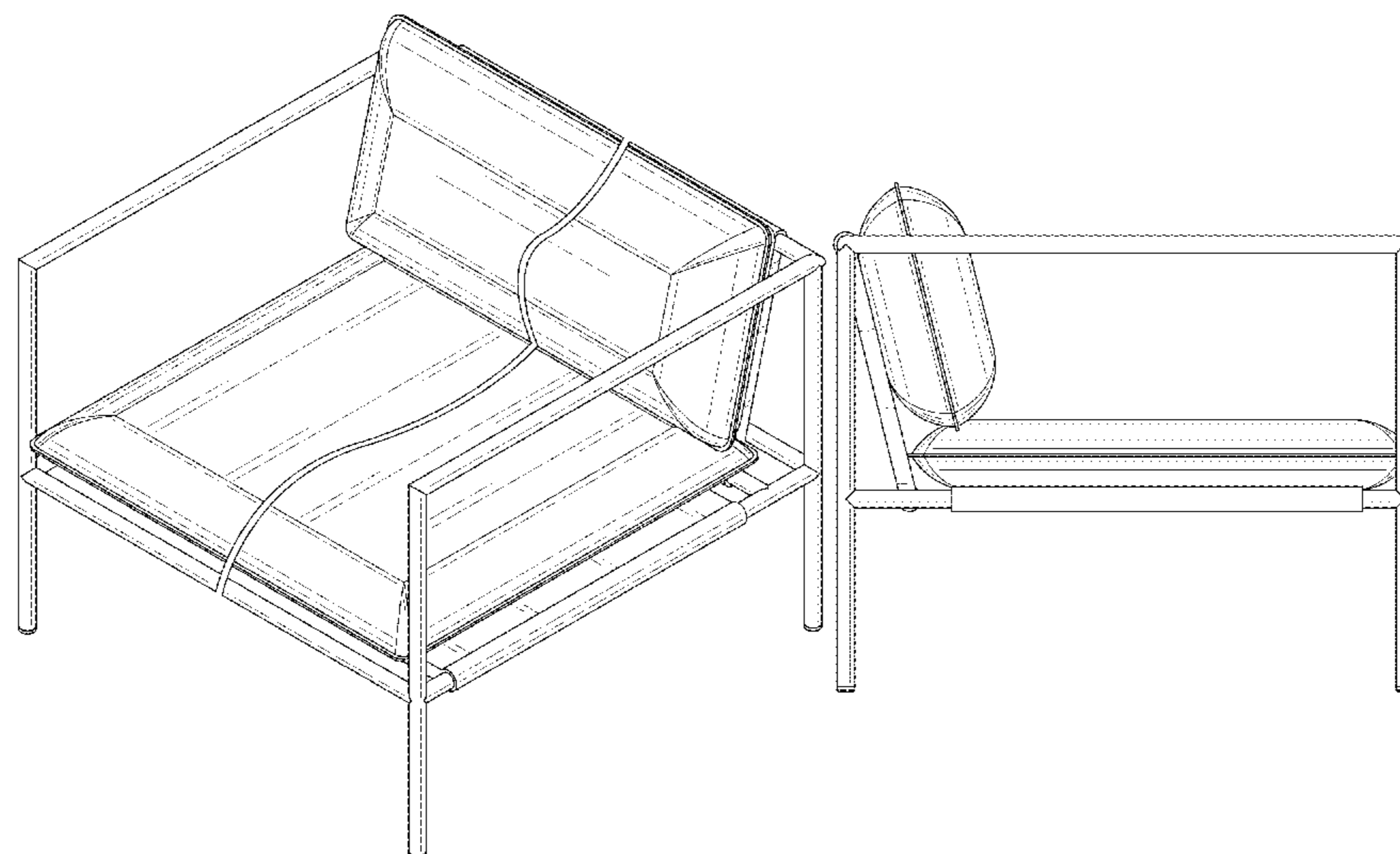
(56) **References Cited**

U.S. PATENT DOCUMENTS

D215,929 S \* 11/1969 Guillon ..... D6/334  
3,896,531 A \* 7/1975 Gorman ..... A47C 4/02  
29/91.1  
D244,328 S \* 5/1977 Heumann ..... D6/334  
D473,723 S \* 4/2003 Pessoa ..... D6/334  
D767,913 S \* 10/2016 Cochran ..... D6/373  
D819,354 S \* 6/2018 Harman ..... D6/370  
D821,111 S \* 6/2018 Scallions ..... D6/371  
D837,554 S \* 1/2019 Harman ..... D6/370

(Continued)

**1 Claim, 7 Drawing Sheets**



(56)

**References Cited**

U.S. PATENT DOCUMENTS

D839,615 S	*	2/2019	Tham .....	D6/335
D841,353 S	*	2/2019	Bernardi .....	D6/370
D878,796 S	*	3/2020	Gabbertas .....	D6/378
D880,887 S	*	4/2020	Gabbertas .....	D6/371

FOREIGN PATENT DOCUMENTS

CN		305233647	*	9/2018
CN		305720203	*	11/2019
EM		000906755-0001	*	4/2008
EM		006229001-0002	*	2/2019
JP		D1142130	*	9/2001

OTHER PUBLICATIONS

Christopher Knight Home, Newbury Outdoor Acacia Wood Club Chairs with Cushions, [online]retrieved May 7, 2020, available from internet, [www.amazon.com](http://www.amazon.com) (Year: 2020).\*

CG Studio, 3D Model of Poltrona Lounge Wooden Chair, Date first available Apr. 24, 2018, [online]retrieved May 8, 2020, available from internet, <https://www.cgstudio.com/> (Year: 2018).\*

CG Studio, Arm chair, Date first available Jan. 11, 2016, [online]retrieved May 8, 2020, available from internet, <https://www.cgstudio.com/> (Year: 2016).\*

Blu Dot Catalog No. 16, Designed in Minneapolis, Minnesota, published 2015, 44 pgs.

Blu Dot Catalog No. 17, Designed in Minneapolis, Minnesota, published 2015, 52 pgs.

Blu Dot Catalog No. 18, Designed in Minneapolis, Minnesota, published 2016, 51 pgs.

Blu Dot Catalog No. 19, Designed in Minneapolis, Minnesota, published 2016, 54 pgs.

Blu Dot Catalog No. 21, Cat 17F-Book A, Designed in Minneapolis, Minnesota, Applicant believes reference was published and available more than one year prior to the filing date of the instant application, 51 pgs.

Blu Dot Catalog No. 21, Cat 17F-Book B, Designed in Minneapolis, Minnesota, Applicant believes reference was published and available more than one year prior to the filing date of the instant application, 51 pgs.

Blu Dot Catalog No. 22, Cat 18S-Book B, Designed in Minneapolis, Minnesota, Applicant believes reference was published and available more than one year prior to the filing date of the instant application, 33 pgs.

Blu Dot Catalog No. 22, Cat18Sm\_RGB, Designed in Minneapolis, Minnesota, Applicant believes reference was published and available more than one year prior to the filing date of the instant application, 33 pgs.

\* cited by examiner

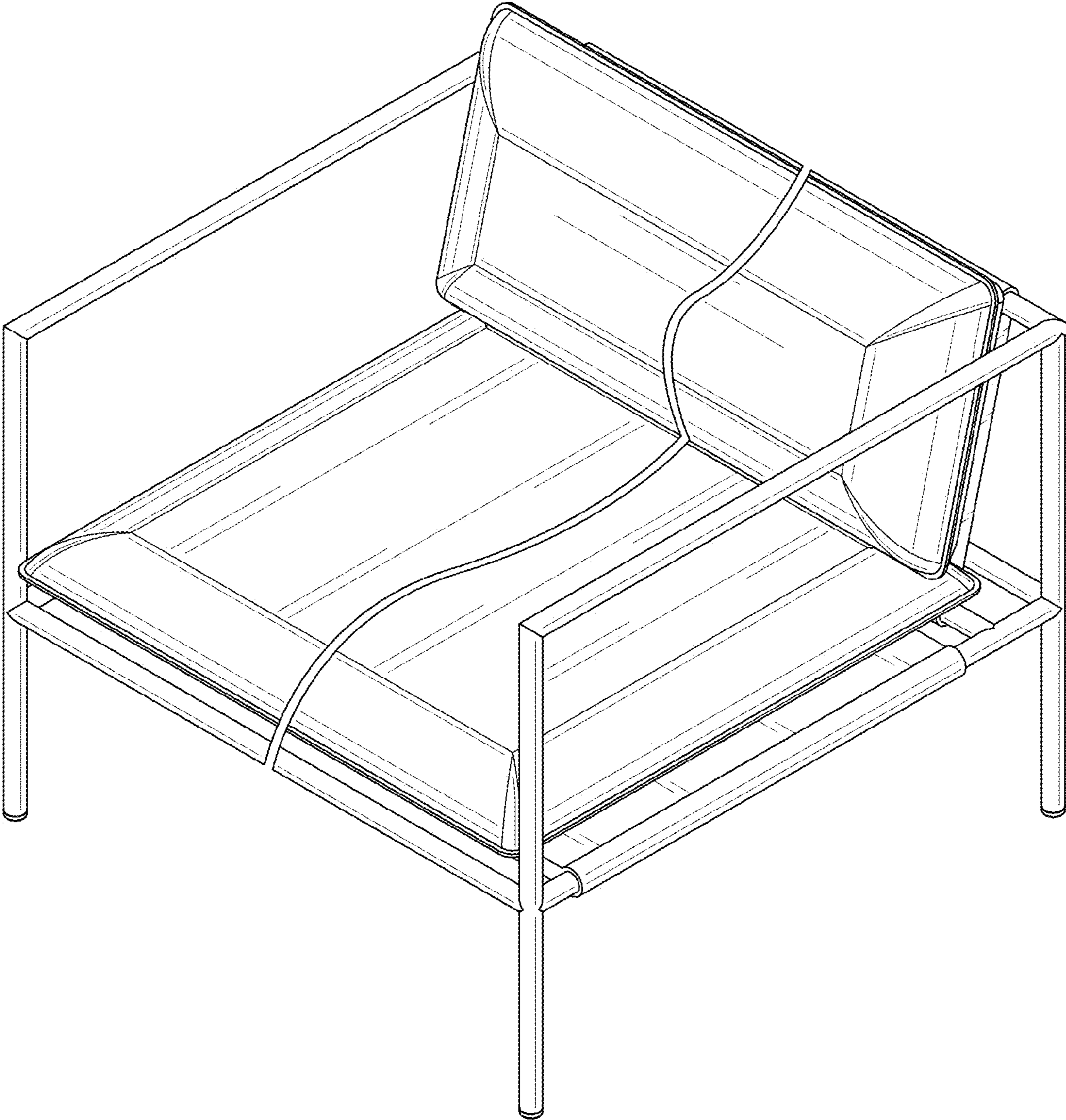


FIG. 1

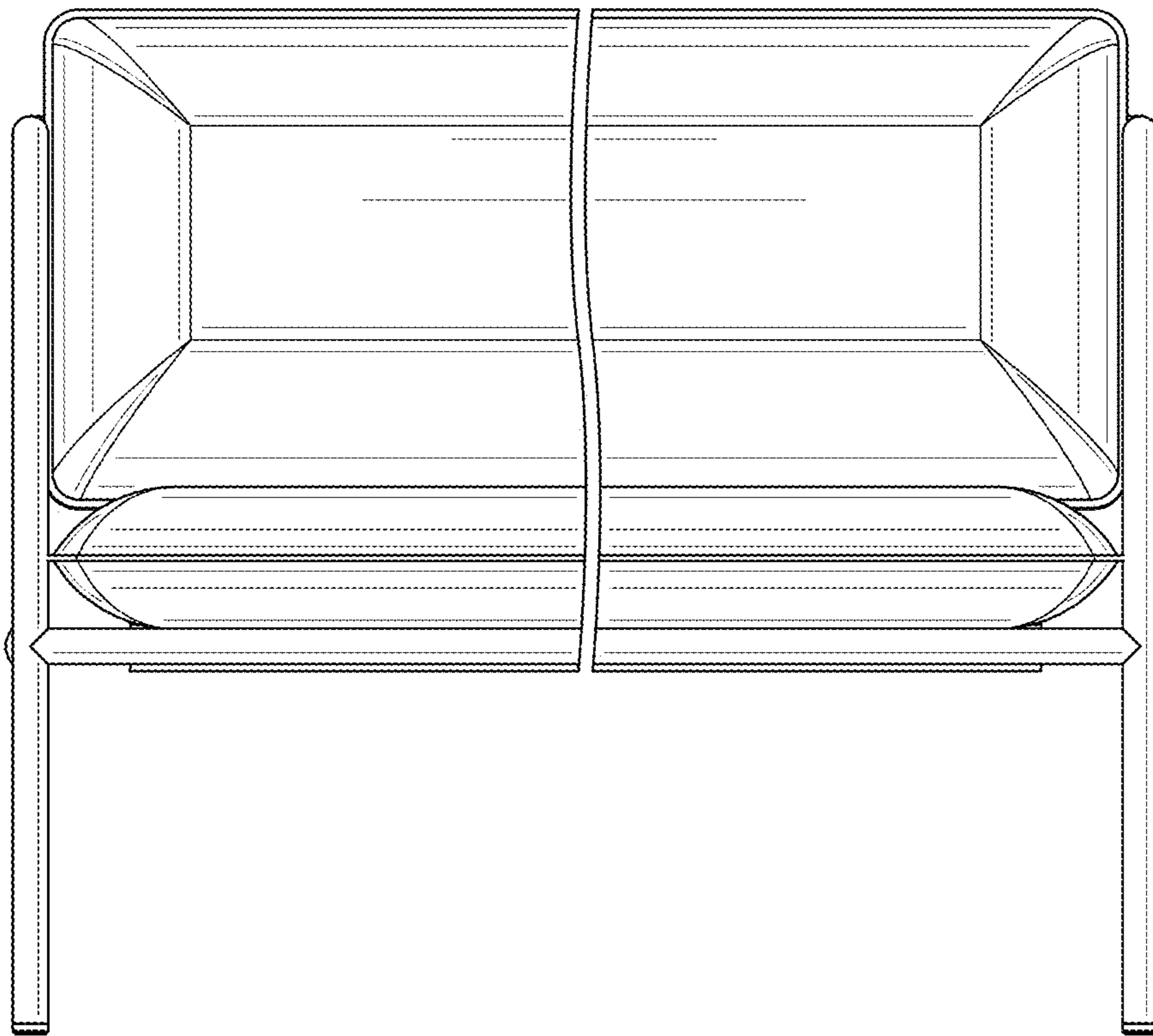


FIG. 2

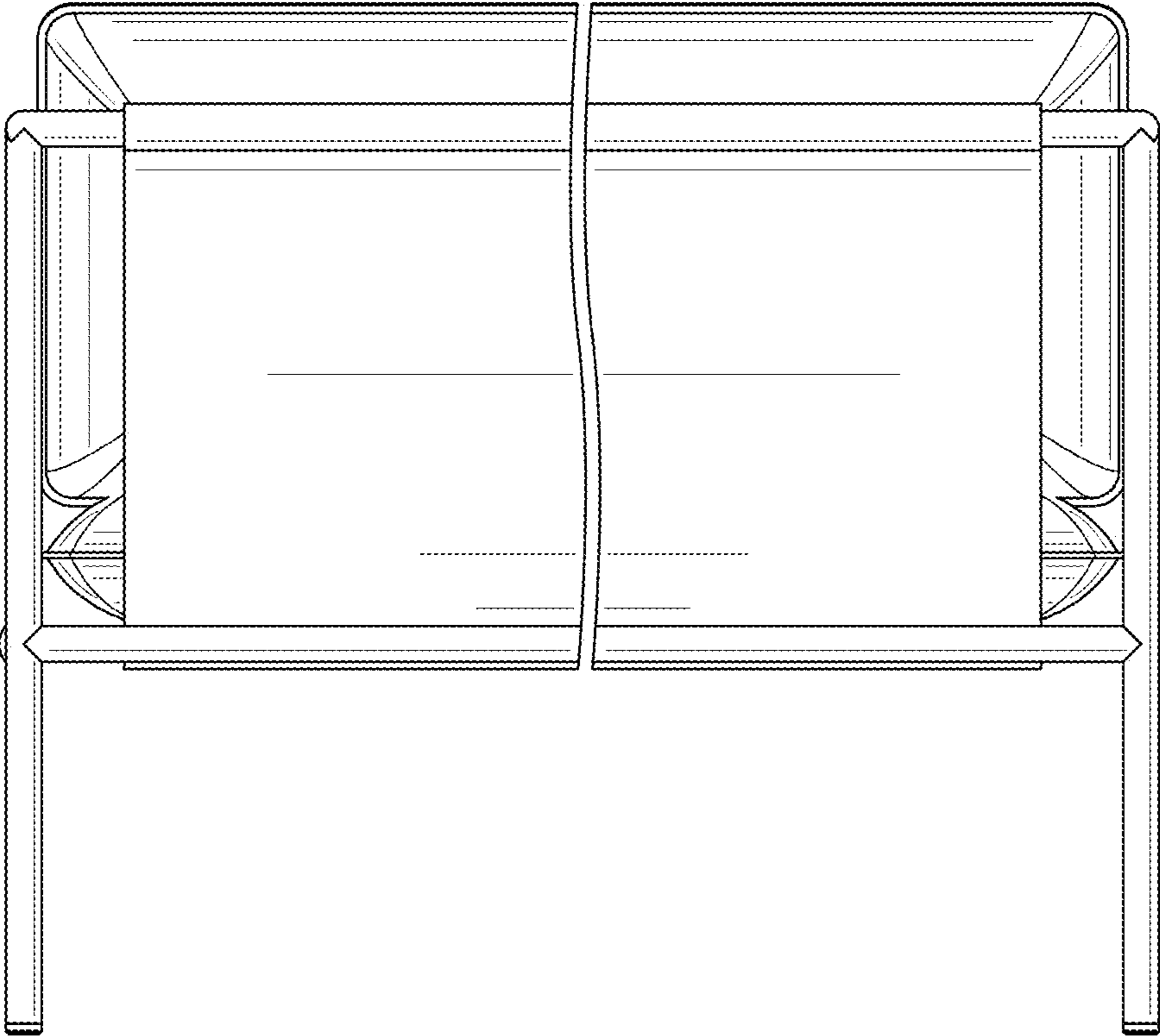


FIG. 3

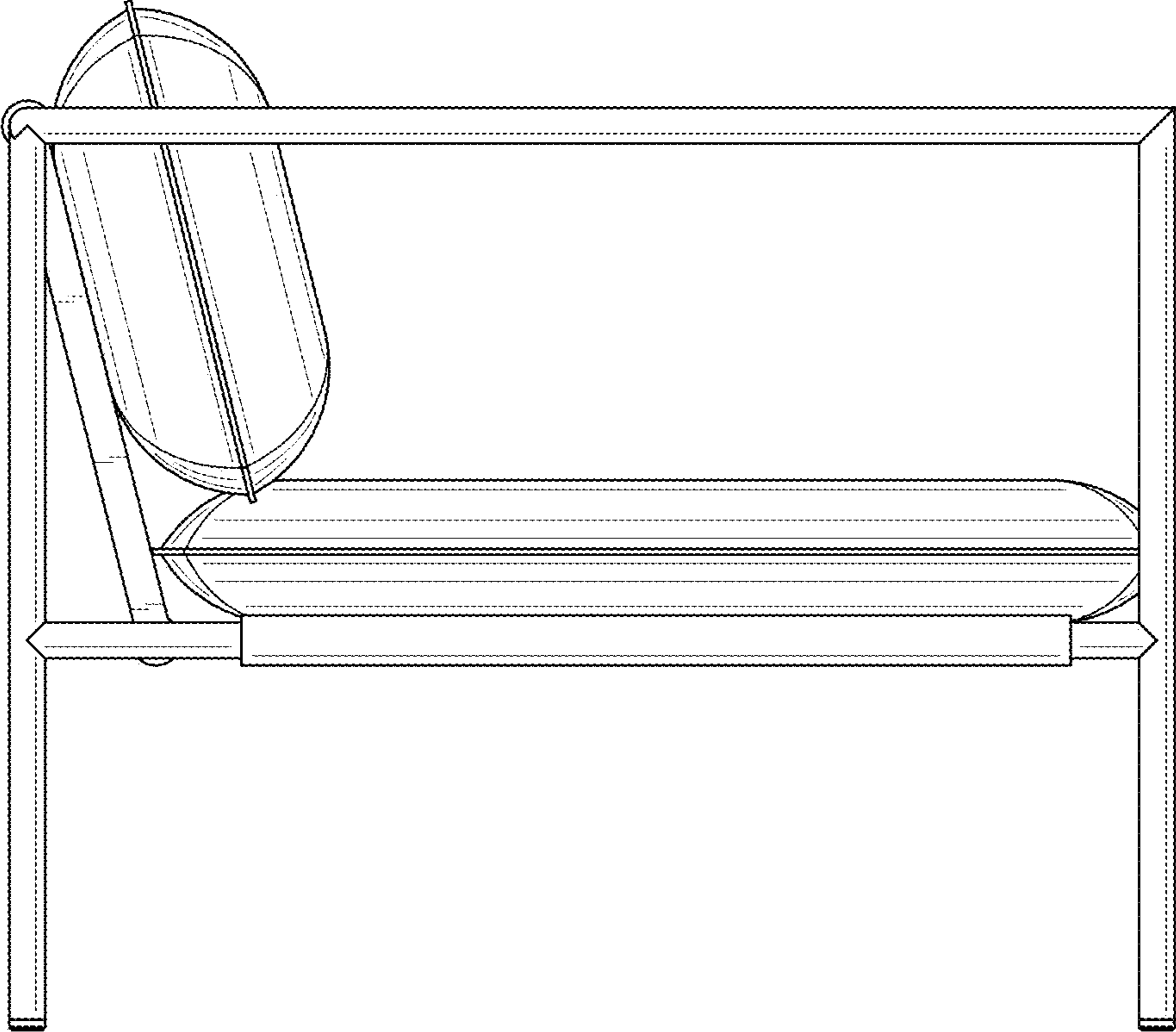


FIG. 4

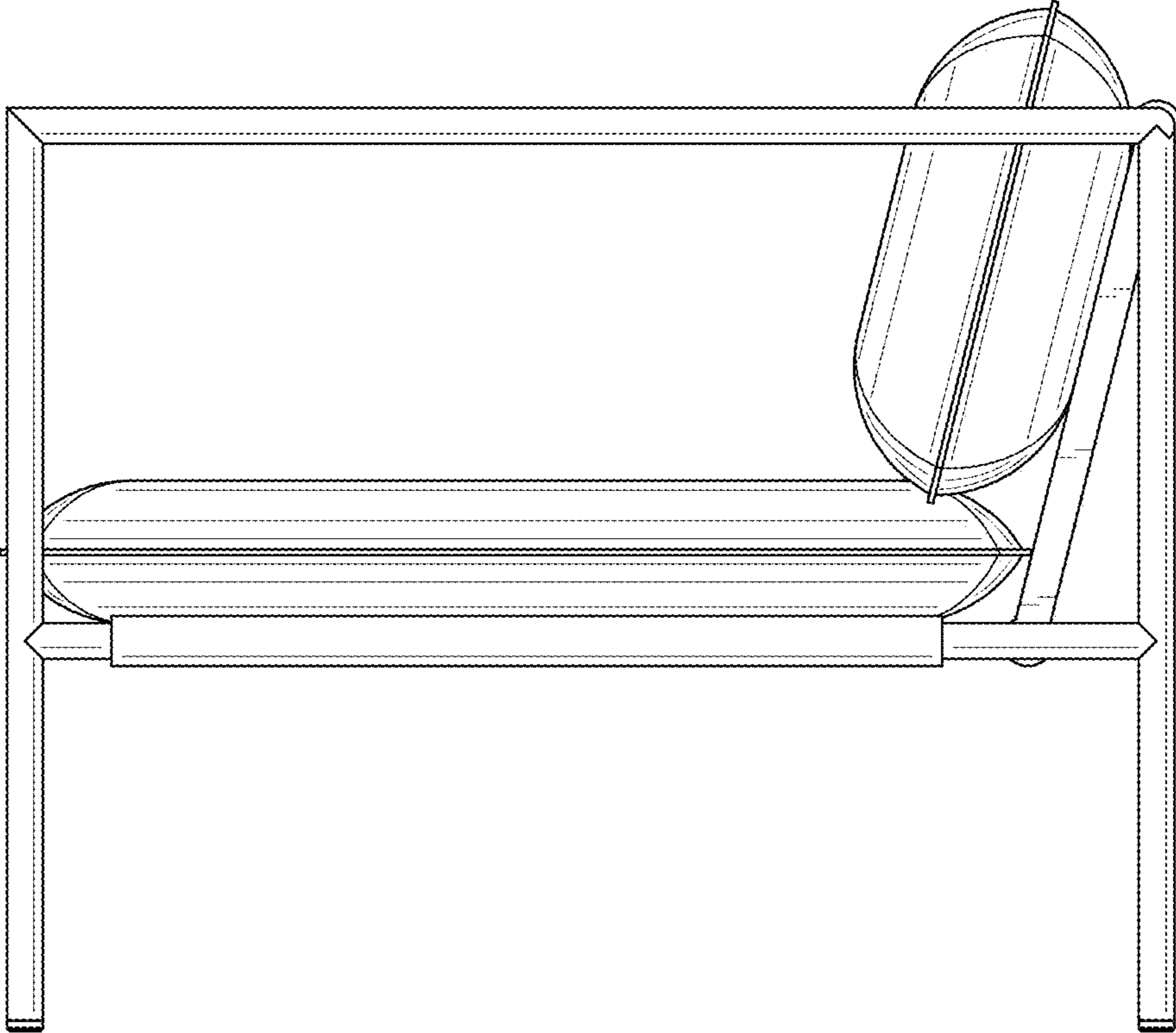


FIG. 5

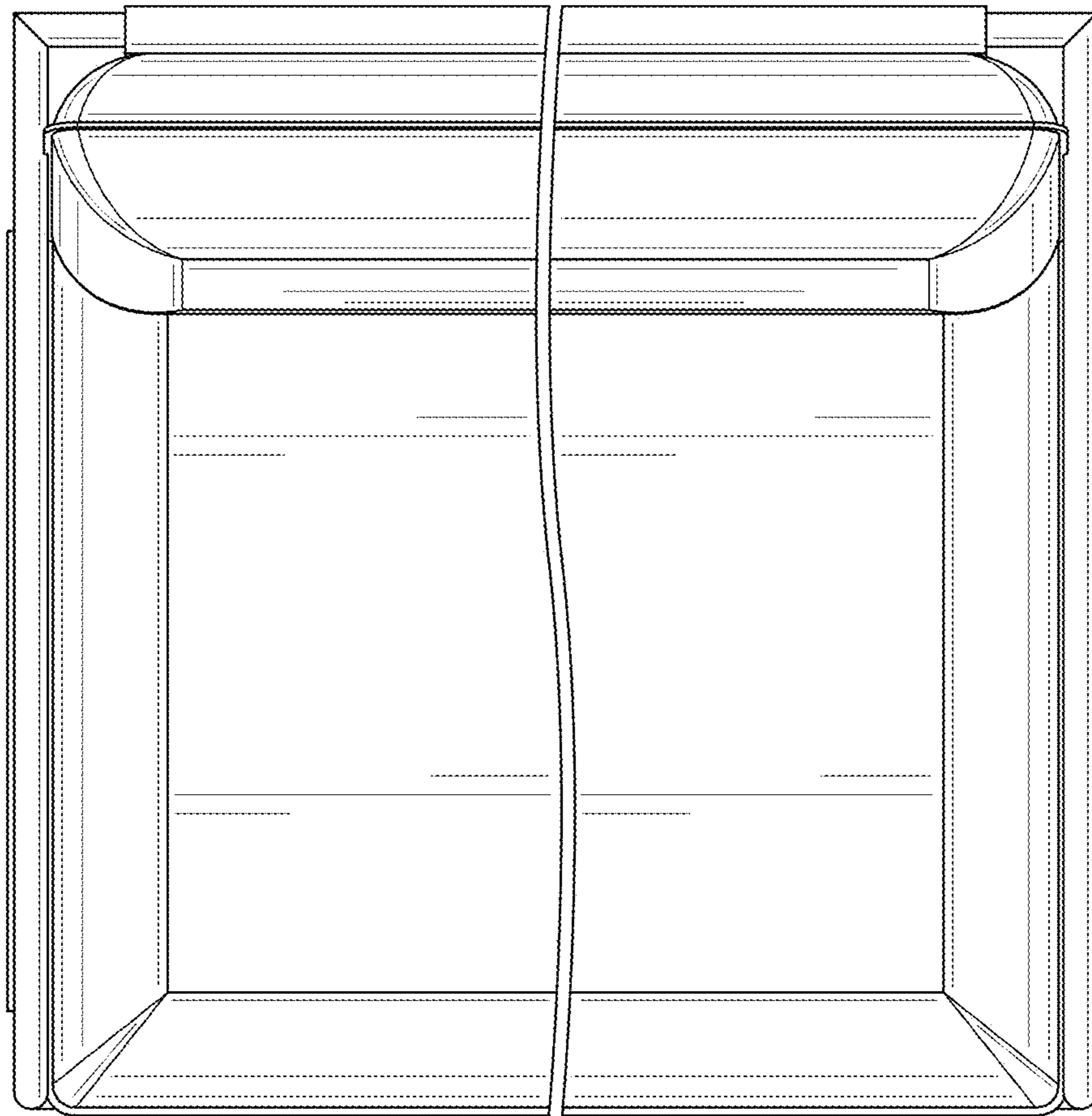


FIG. 6



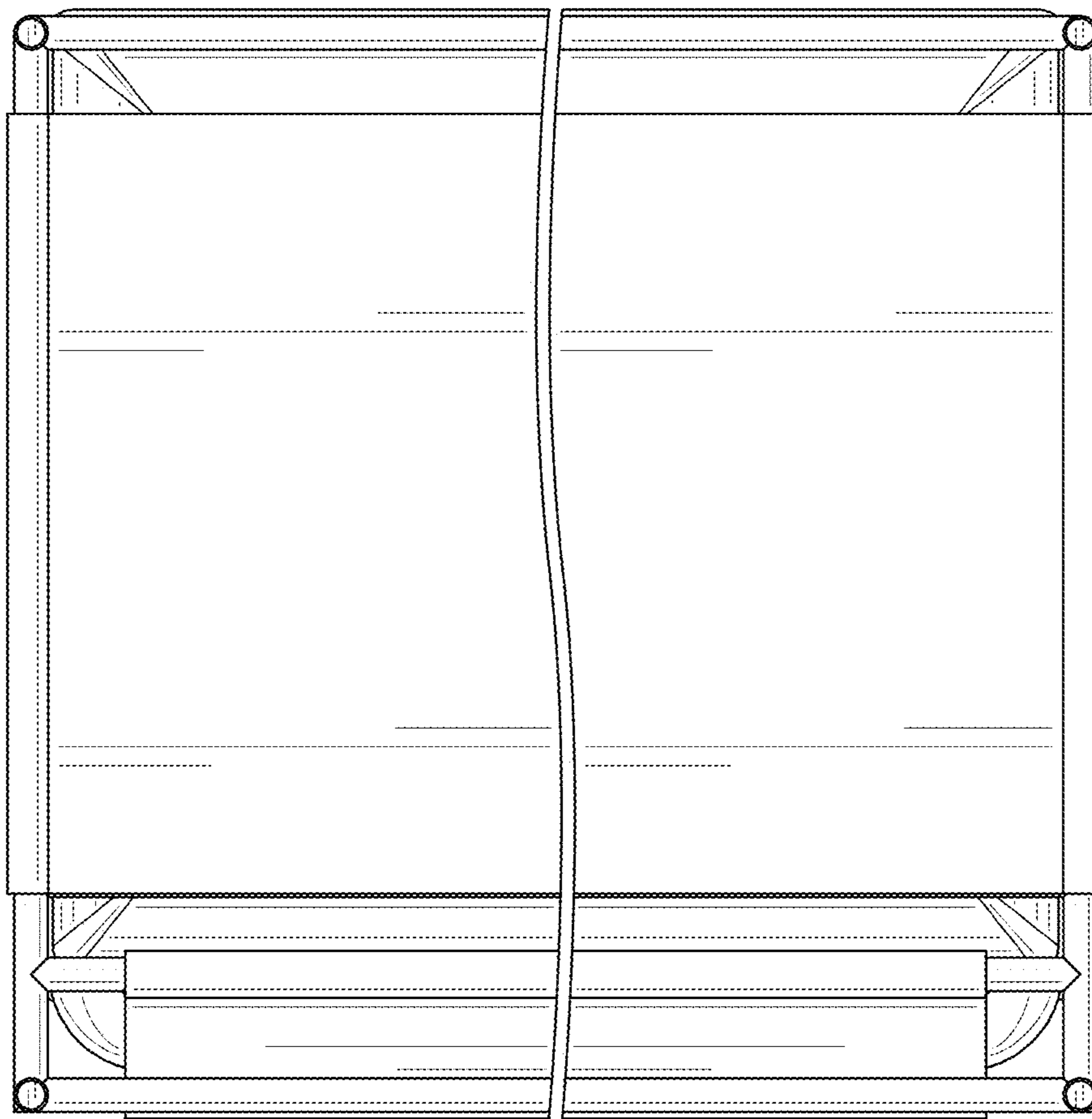


FIG. 7