



US00D903356S

(12) **United States Design Patent** (10) **Patent No.:** **US D903,356 S**
Wilson (45) **Date of Patent:** **** Dec. 1, 2020**

(54) **DENTAL CHAIR**
(71) Applicant: **A-dec, Inc.**, Newberg, OR (US)
(72) Inventor: **Jonathan Wilson**, Beaverton, OR (US)
(73) Assignee: **A-dec, Inc.**, Newberg, OR (US)
(**) Term: **15 Years**

(21) Appl. No.: **29/687,418**
(22) Filed: **Apr. 12, 2019**
(51) **LOC (12) Cl.** **06-01**
(52) **U.S. Cl.**
USPC **D6/367**
(58) **Field of Classification Search**
USPC D6/334, 349, 350, 360, 362, 364, 367,
D6/368, 374, 375, 379, 380, 716.2, 716.7
CPC A47C 3/00; A47C 3/20; A47C 7/50; A47C
7/54; A47C 4/28; A47C 9/007; A47C
16/02; A47C 1/00; A47C 1/02; A47C
1/03; A47C 1/024; A47C 1/037
See application file for complete search history.

(56) **References Cited**

U.S. PATENT DOCUMENTS

D223,489 S	4/1972	Olsen	
D264,774 S *	6/1982	McGirk	D6/356
D400,022 S *	10/1998	Hutton	D6/379
D414,347 S *	9/1999	Lewis	D6/334
D537,643 S *	3/2007	Miyake	D6/367
D549,972 S *	9/2007	Garcia	D6/334
D553,379 S *	10/2007	Genelli	D6/367
D578,788 S *	10/2008	Ware	D6/374
D594,244 S *	6/2009	Williams	D6/334
D600,458 S *	9/2009	Starck	D6/334

D608,552 S *	1/2010	Jehs	D6/349
D626,757 S *	11/2010	Crockett	D6/334
D699,960 S *	2/2014	Potter	D6/367
2008/0122269 A1 *	5/2008	Tatlock	A61B 5/6887 297/71

FOREIGN PATENT DOCUMENTS

FR 2690321 A1 * 10/1993 A47C 27/00

OTHER PUBLICATIONS

“A-dec 500 Brochure,” *A-dec Inc.*, 2017, 32pp.

* cited by examiner

Primary Examiner — R. Johnson

(74) *Attorney, Agent, or Firm* — Klarquist Sparkman, LLP

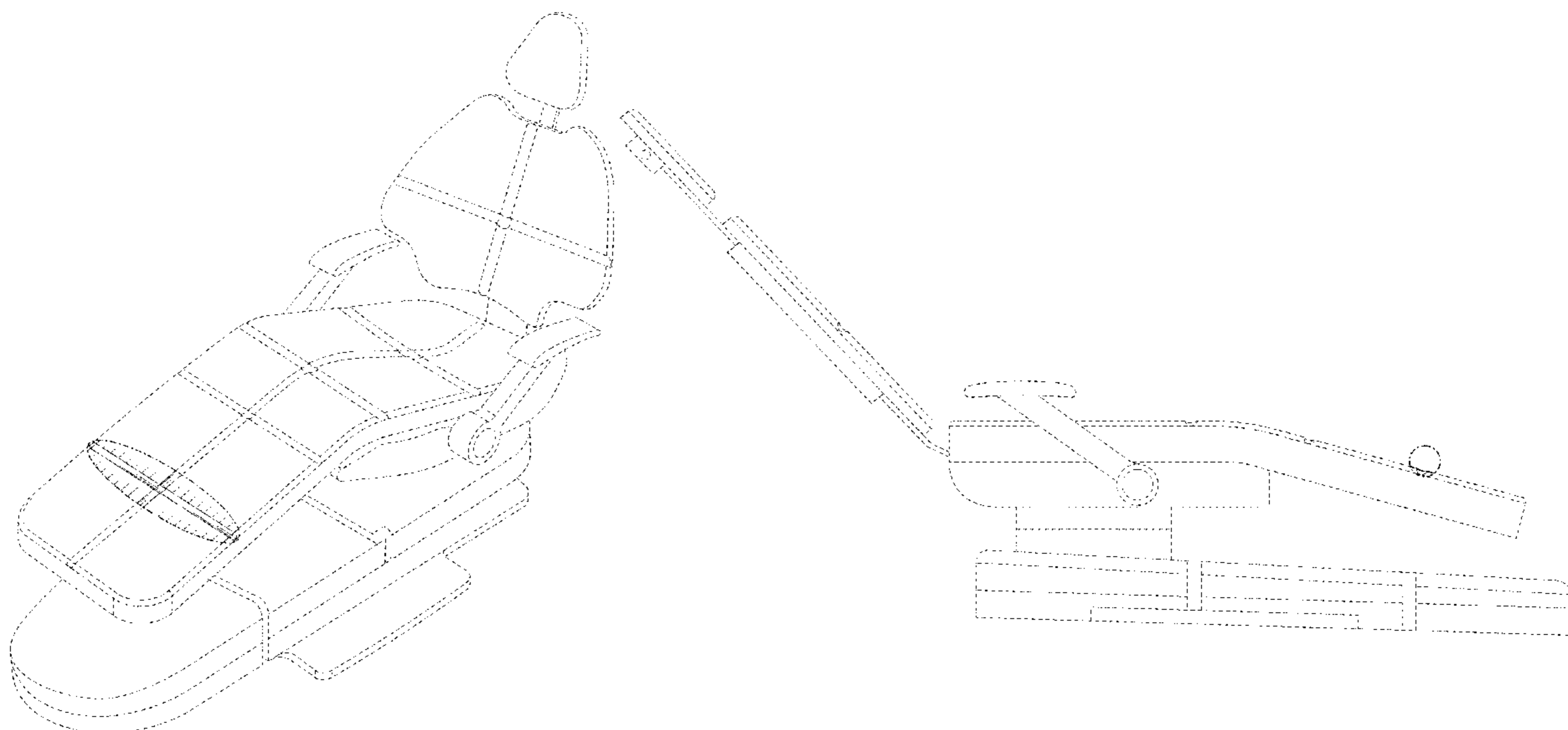
(57) **CLAIM**

I claim the ornamental design for a dental chair, as shown and described.

DESCRIPTION

FIG. 1 is a perspective view of a dental chair.
FIG. 2 is a front elevational view thereof.
FIG. 3 is a rear elevational view thereof.
FIG. 4 is a right side elevational view thereof.
FIG. 5 is a left side elevational view thereof.
FIG. 6 is a top plan view thereof; and,
FIG. 7 is a bottom plan view thereof.
The unshaded surfaces outside of the dash-dot boundary line form no part of the claimed design.

1 Claim, 7 Drawing Sheets



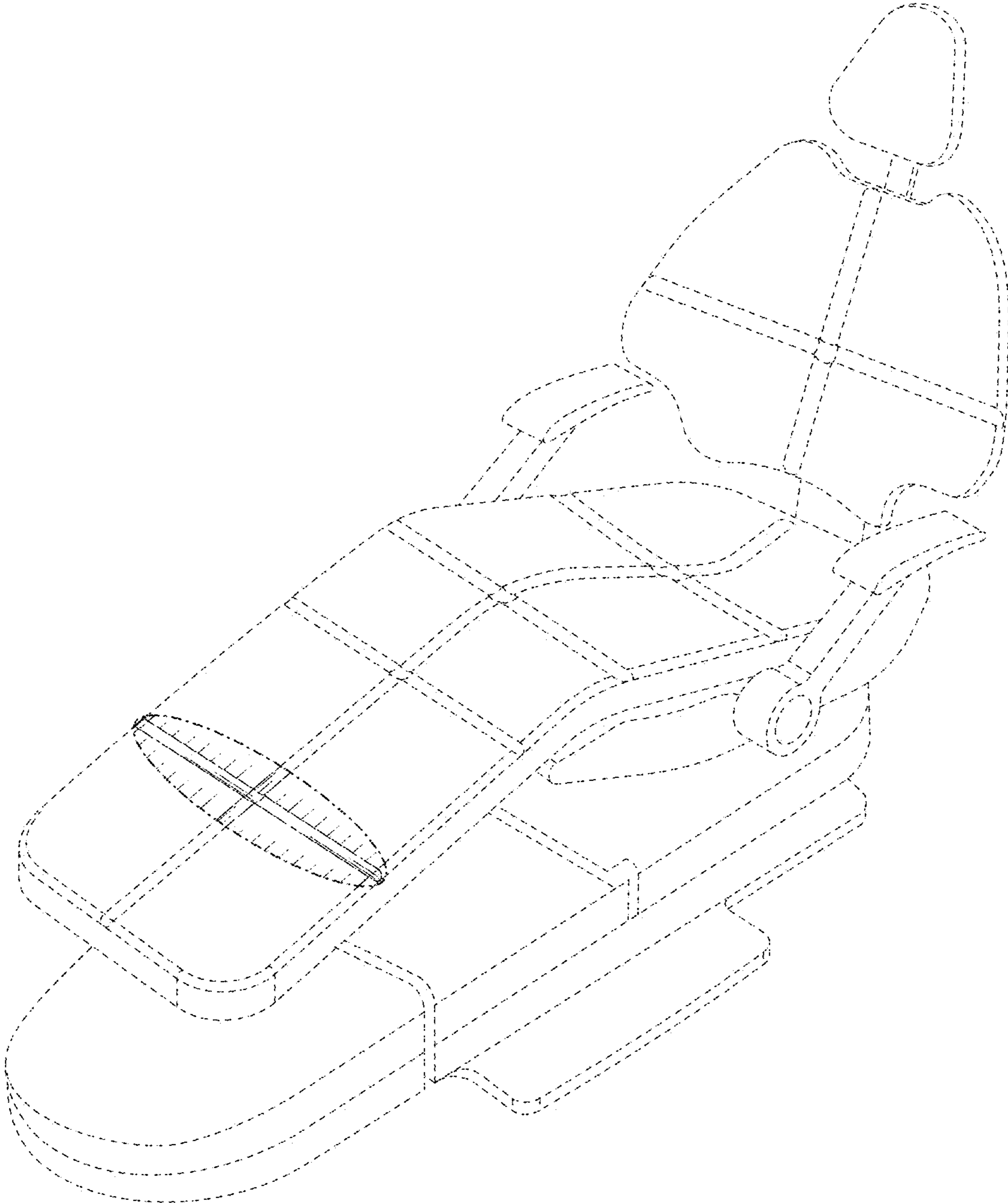


FIG. 1

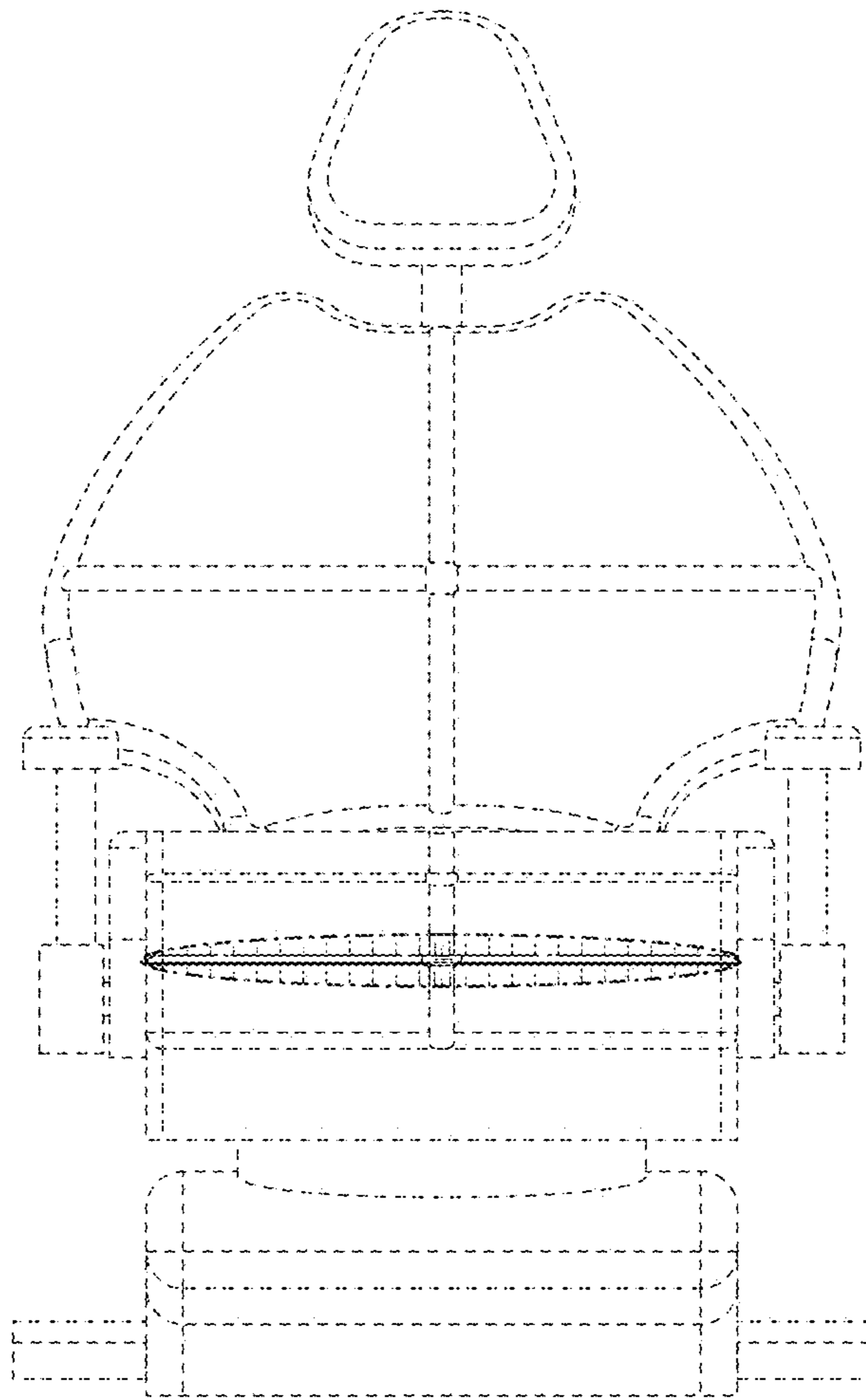


FIG. 2

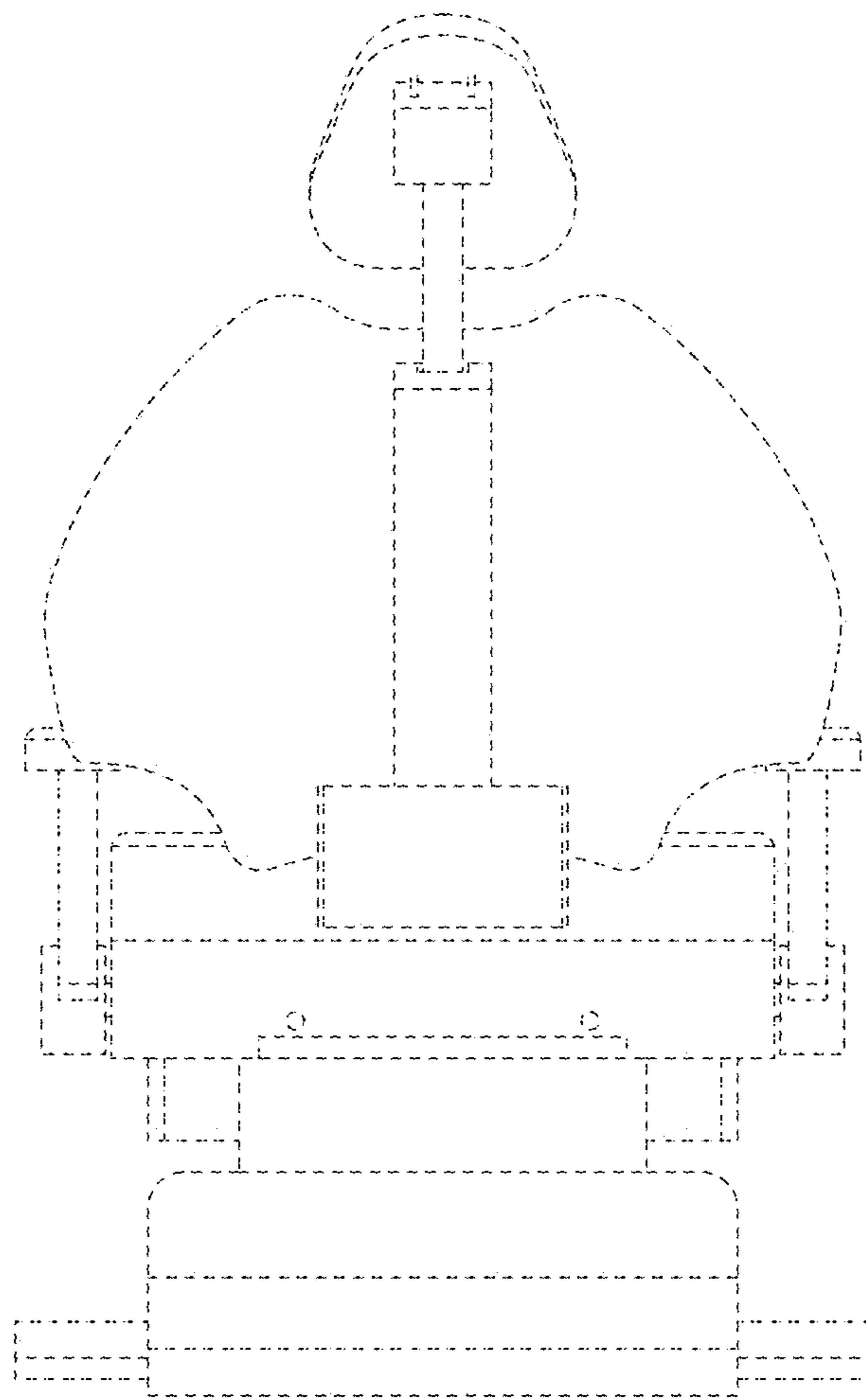


FIG. 3

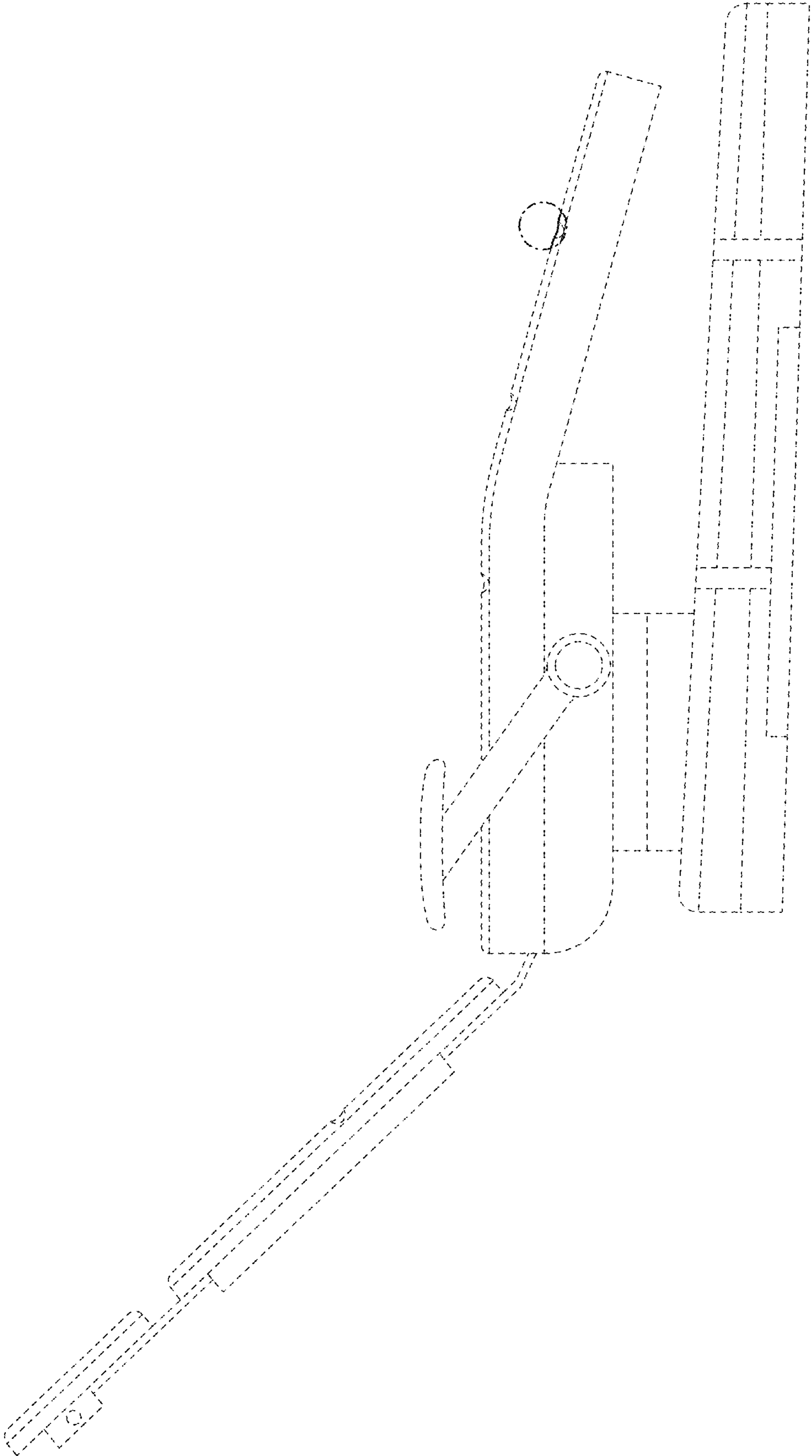


FIG. 4

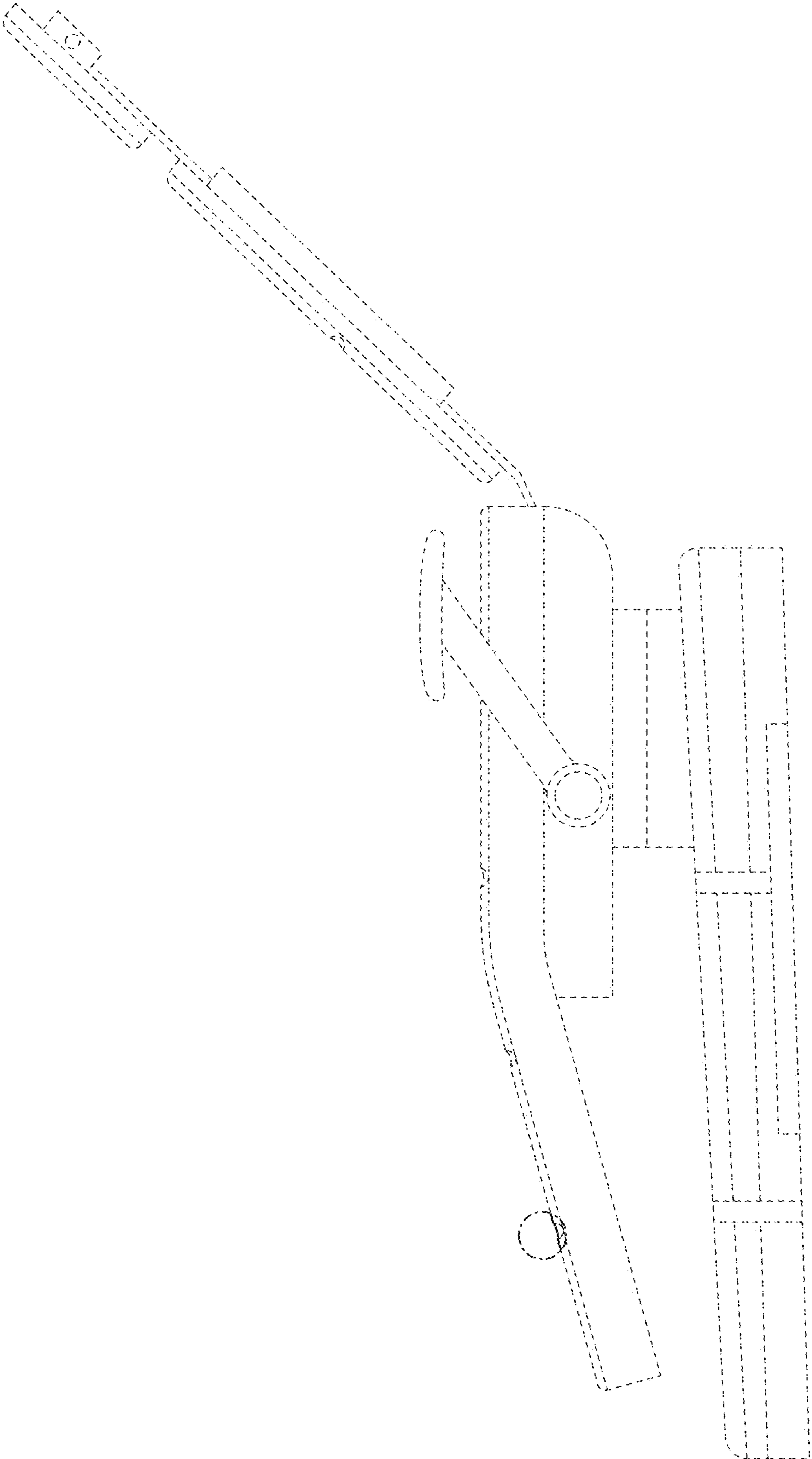


FIG. 5

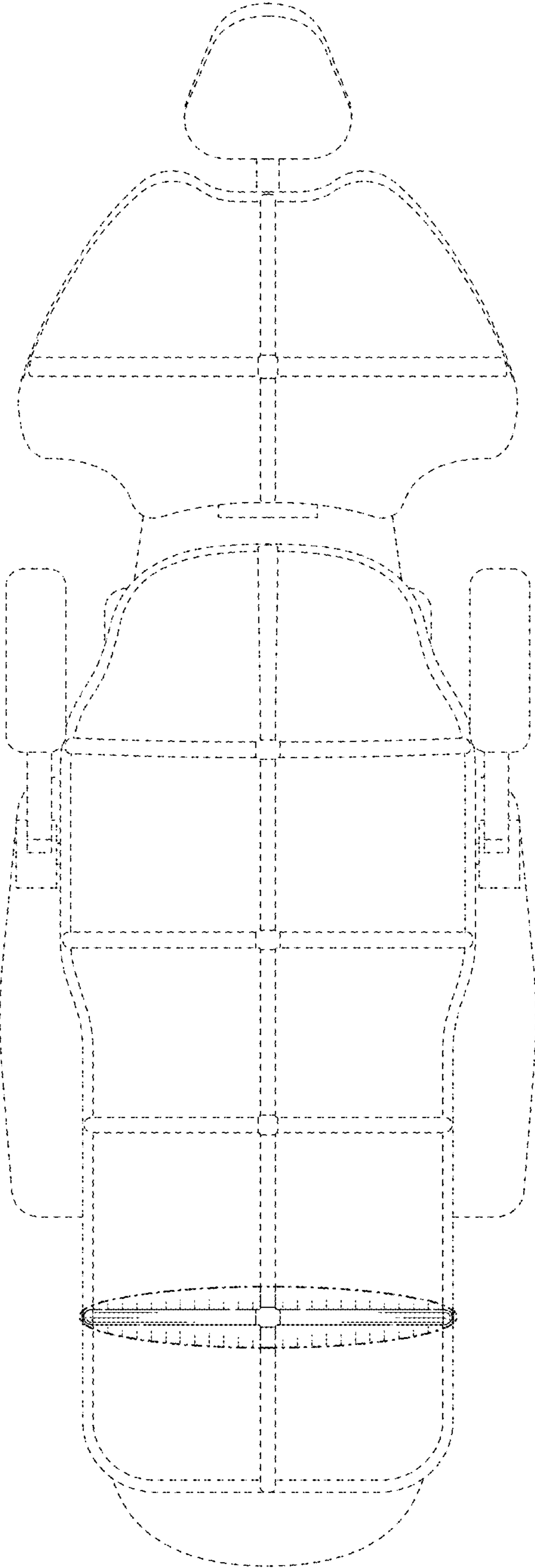


FIG. 6

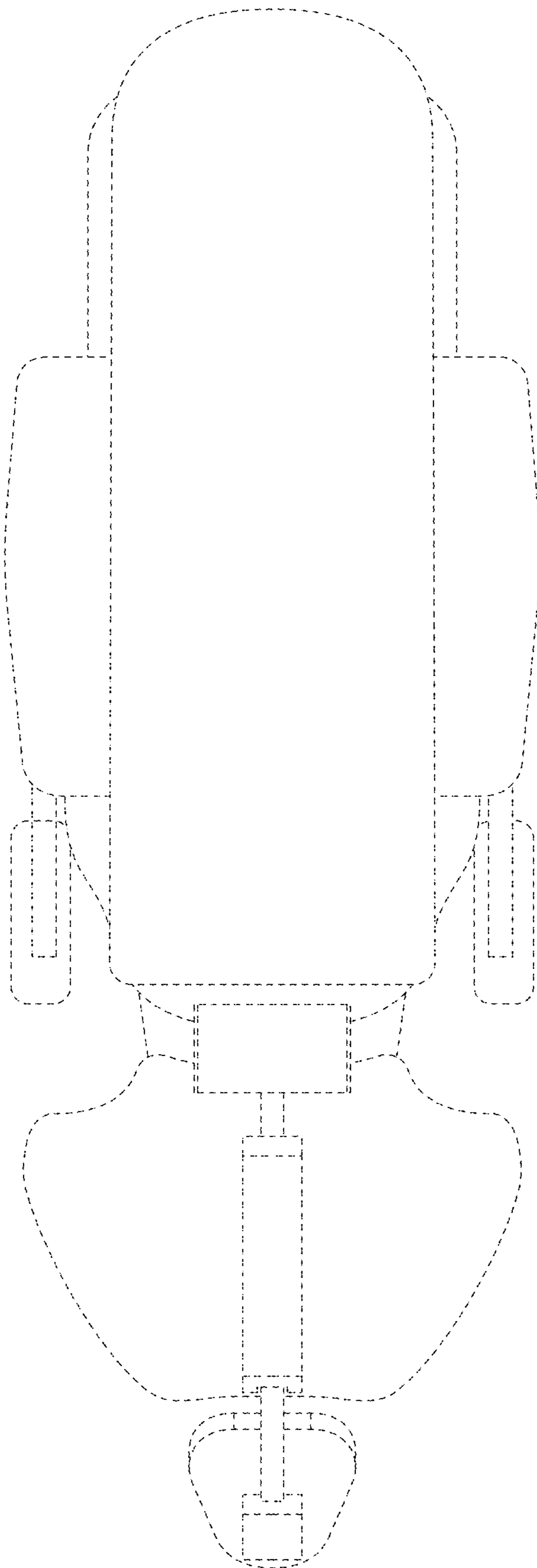


FIG. 7