



US00D903355S

(12) **United States Design Patent** (10) **Patent No.:** **US D903,355 S**
Igarashi (45) **Date of Patent:** **** Dec. 1, 2020**

(54) **CHAIR**

(71) Applicant: **Okamura Corporation**, Yokohama (JP)

(72) Inventor: **Ryo Igarashi**, Yokohama (JP)

(73) Assignee: **Okamura Corporation**, Yokohama (JP)

(**) Term: **15 Years**

(21) Appl. No.: **29/685,849**

(22) Filed: **Apr. 1, 2019**

(30) **Foreign Application Priority Data**

Oct. 1, 2018 (JP) 2018-021431

(51) **LOC (12) Cl.** **06-01**

(52) **U.S. Cl.**
USPC **D6/366**

(58) **Field of Classification Search**
USPC D6/356, 364, 365, 366, 367, 379, 716,
D6/716.4, 716.7; D21/521, 695

CPC A47C 1/03294; A47C 1/034; A47C 1/032;
A47C 1/031; A47C 1/023; A47C 3/029;
A47C 3/027; A47C 3/04; A47C 3/02;
A47C 3/12; A47C 4/03; A47C 4/04;
A47C 5/12; A47C 7/029; A47C 7/02;
A47C 7/18; A47C 7/28; A47C 7/32;
A47C 7/38; A47C 7/40; A47C 7/44;
A47C 7/46; A47C 7/54; A47C 7/425;
A47C 7/445; A47C 31/023; A47C 31/04;
B60R 2/0284; B60R 2/062; B60R 22/001;
B60R 22/24; B60R 22/28; B60R 22/58;
B60R 22/64; B60R 22/68; B60R 22/80;
B60R 22/99; B60R 22/245; B60R 22/643;
B60R 22/646; B60R 22/665; B60R
22/686; B60R 22/688; B60R 22/803;
B60R 22/986; B60R 22/914; B60R
22/995; F16B 2/08; F16B 45/00; Y10S
297/01; A47D 13/10

See application file for complete search history.

(56) **References Cited**

U.S. PATENT DOCUMENTS

D613,085 S *	4/2010	Fujita	D6/366
D613,086 S *	4/2010	Fujita	D6/366
D652,223 S *	1/2012	Fujita	D6/366
D665,589 S *	8/2012	Wagner	D6/366
D665,592 S *	8/2012	Citterio	D6/366
D675,463 S *	2/2013	Collinson	D6/366
D687,641 S *	8/2013	Barrell	D6/366
D701,068 S *	3/2014	Usumoto	D6/366
D710,640 S *	8/2014	Usumoto	D6/366
D733,445 S *	7/2015	Izawa	D6/366
D733,446 S *	7/2015	Izawa	D6/366
D736,533 S *	8/2015	Ballendat	D6/366
D751,835 S *	3/2016	Izawa	D6/366
D751,836 S *	3/2016	Izawa	D6/366
D768,401 S *	10/2016	Lievore	D6/366

(Continued)

Primary Examiner — Kevin K Rudzinski

Assistant Examiner — Paul D Bohannon

(74) *Attorney, Agent, or Firm* — Banner & Witcoff, Ltd.

(57) **CLAIM**

The ornamental design for a chair, as shown and described.

DESCRIPTION

FIG. 1 is a front perspective view of a chair showing my new design;

FIG. 2 is a rear perspective view thereof;

FIG. 3 is a front view thereof;

FIG. 4 is a rear view thereof;

FIG. 5 is a left side view thereof;

FIG. 6 is a right side view thereof;

FIG. 7 is a top view thereof; and,

FIG. 8 is a bottom view thereof.

The backrest sheet of the chair is made of mesh.

1 Claim, 8 Drawing Sheets



(56)

References Cited

U.S. PATENT DOCUMENTS

D793,141 S * 8/2017 Igarashi D6/716.4
D799,843 S * 10/2017 Chen D6/366
D801,718 S * 11/2017 Barber D6/366
D801,719 S * 11/2017 Meda D6/366
D802,315 S * 11/2017 Meda D6/366
D824,711 S * 8/2018 Brooks D6/716
D826,586 S * 8/2018 Krob D6/366
D834,844 S * 12/2018 Chan D6/366
D853,163 S * 7/2019 Kolberg D6/716
D856,695 S * 8/2019 Chen D6/366
D880,182 S * 4/2020 Wang D6/366
D881,621 S * 4/2020 Jin D6/716.1
10,610,023 B2 * 4/2020 Daur A47C 7/448
2018/0296004 A1 * 10/2018 Naitou A47C 31/023

* cited by examiner

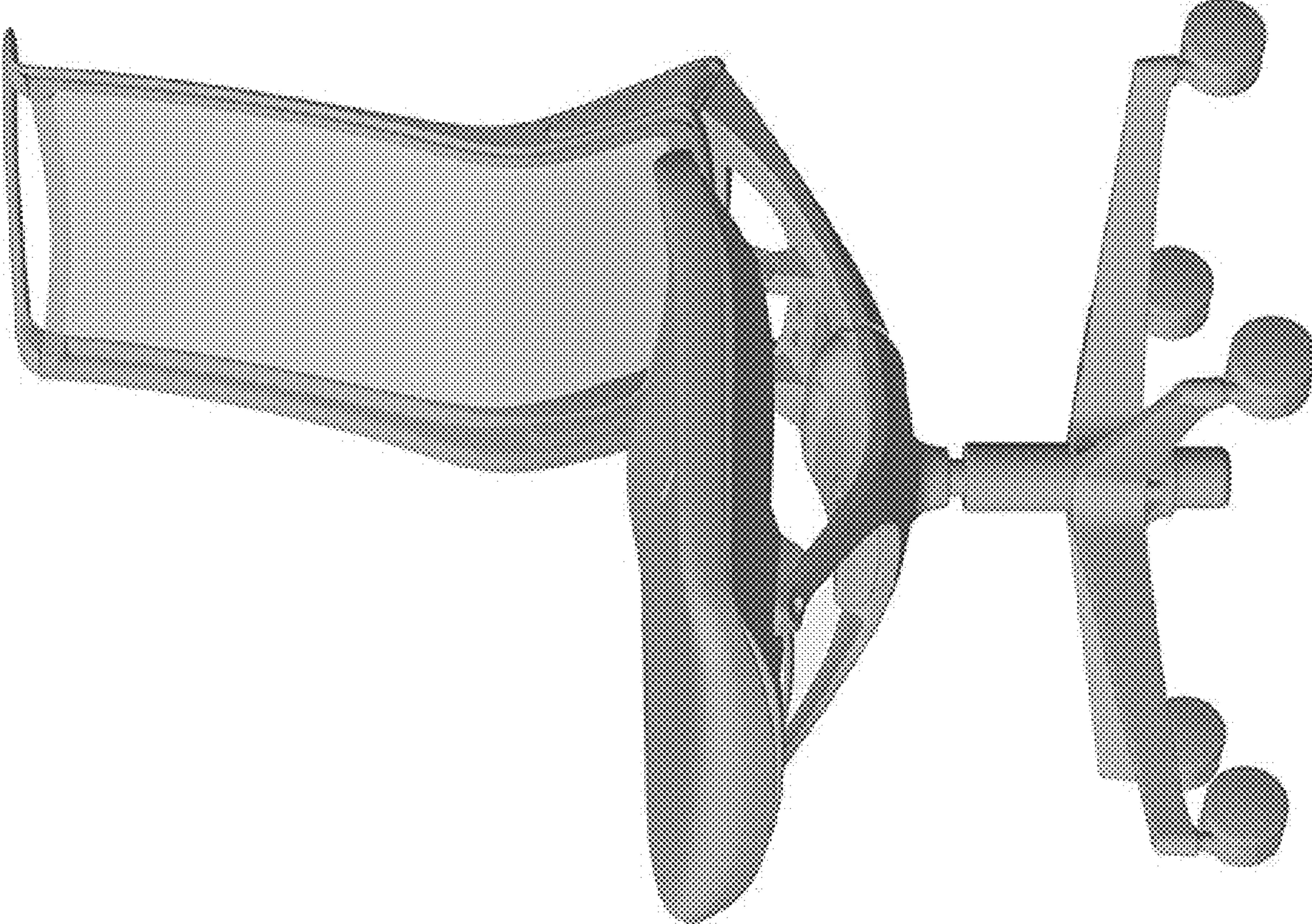


FIG. 1

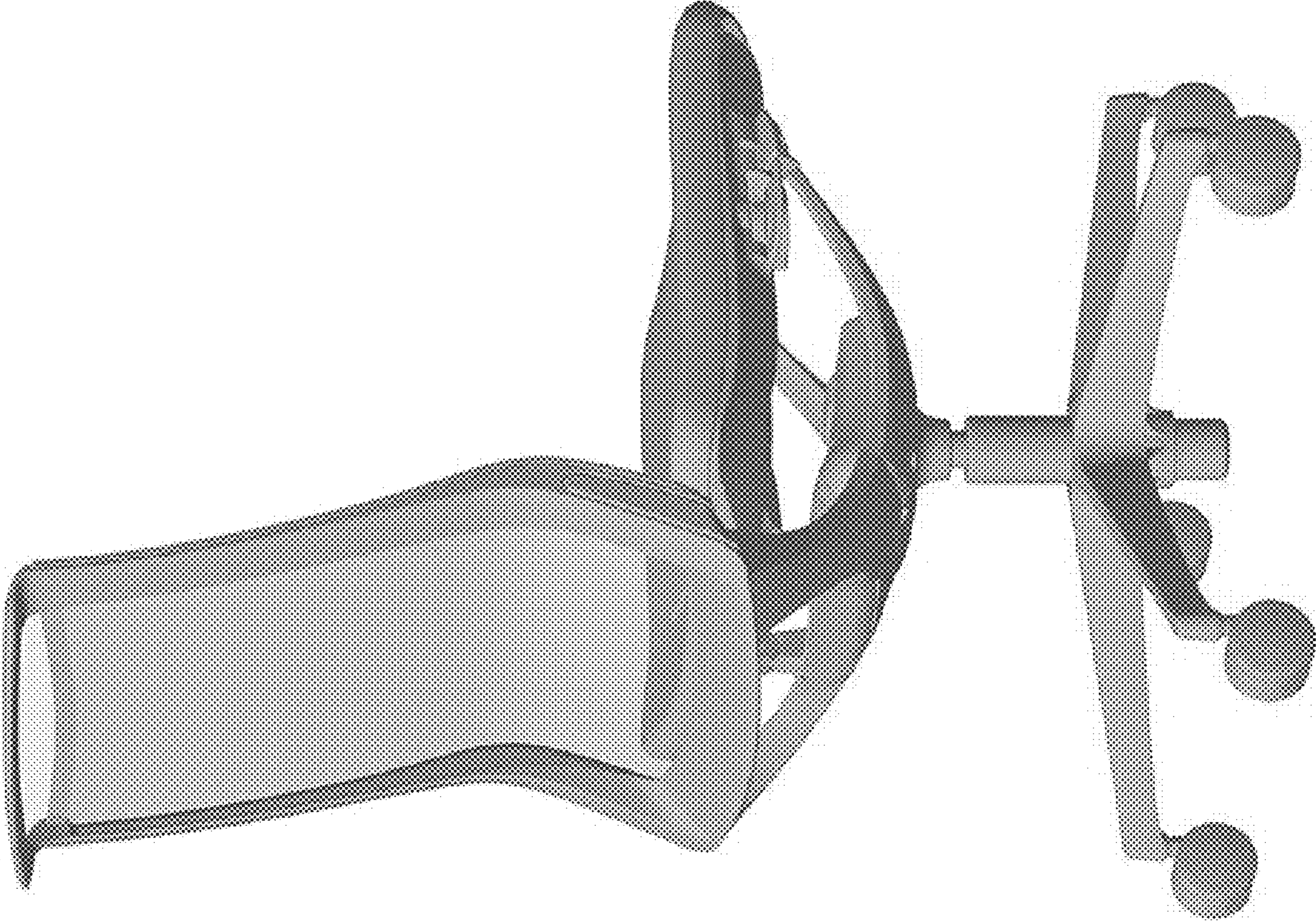


FIG. 2

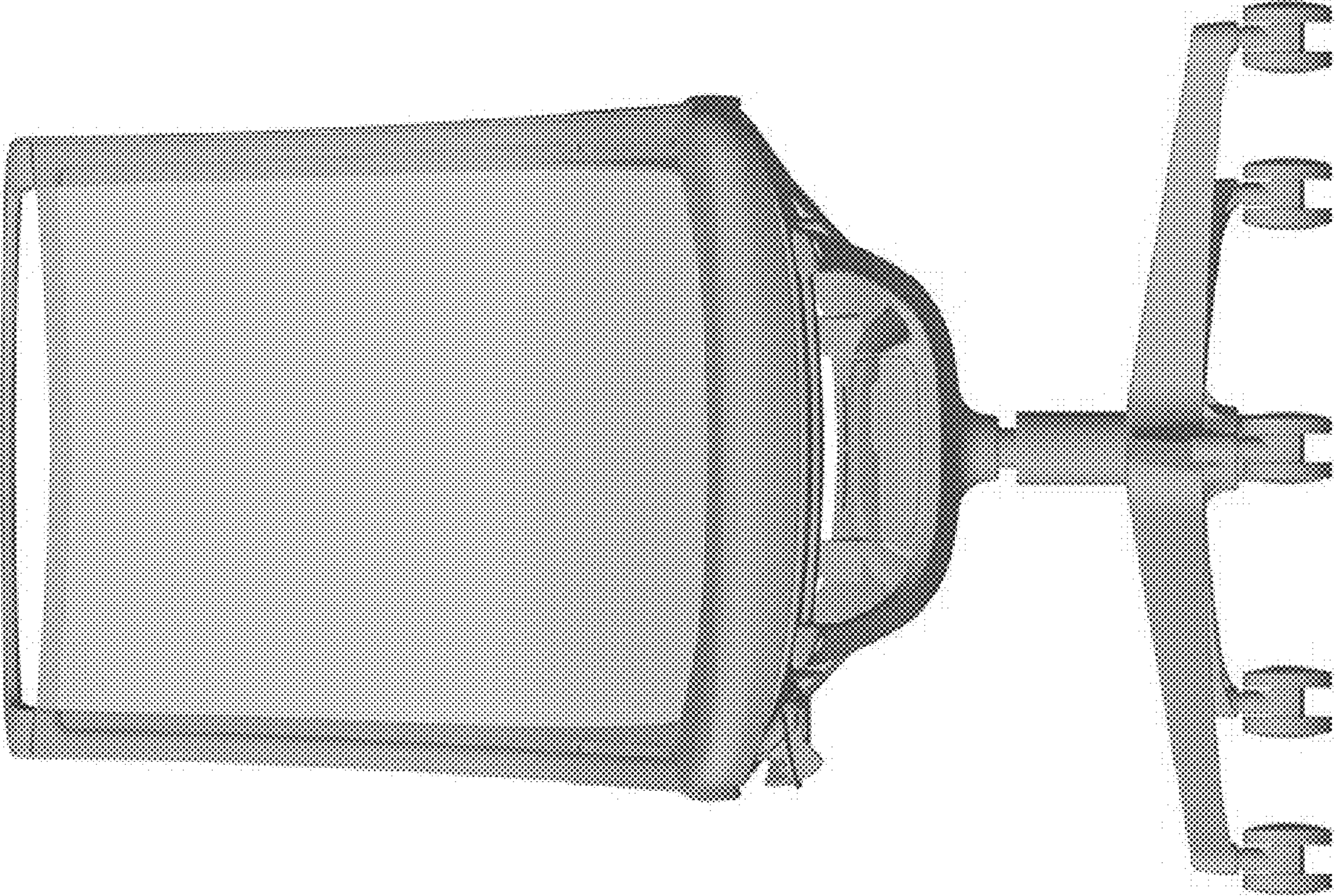


FIG. 3

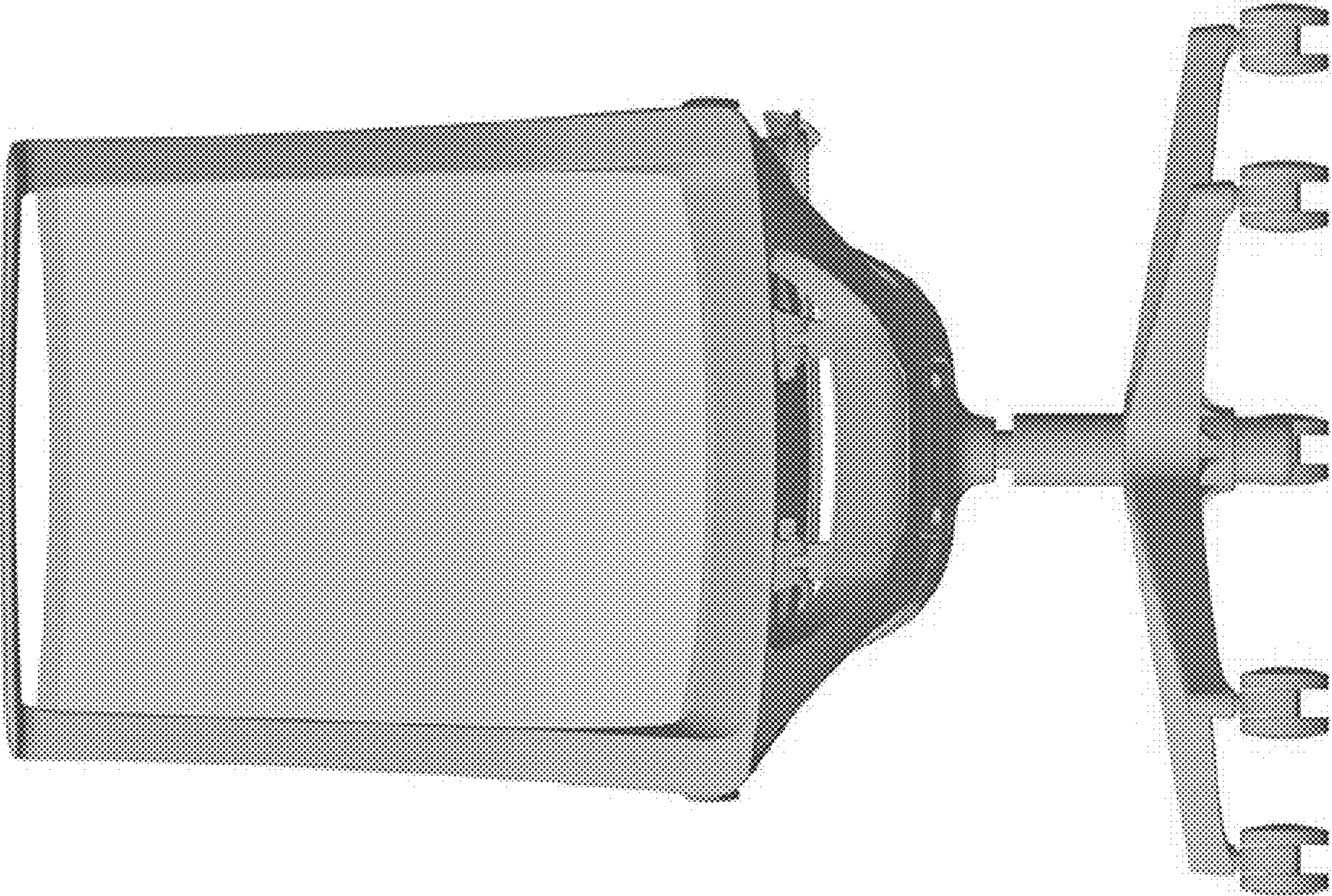


FIG. 4

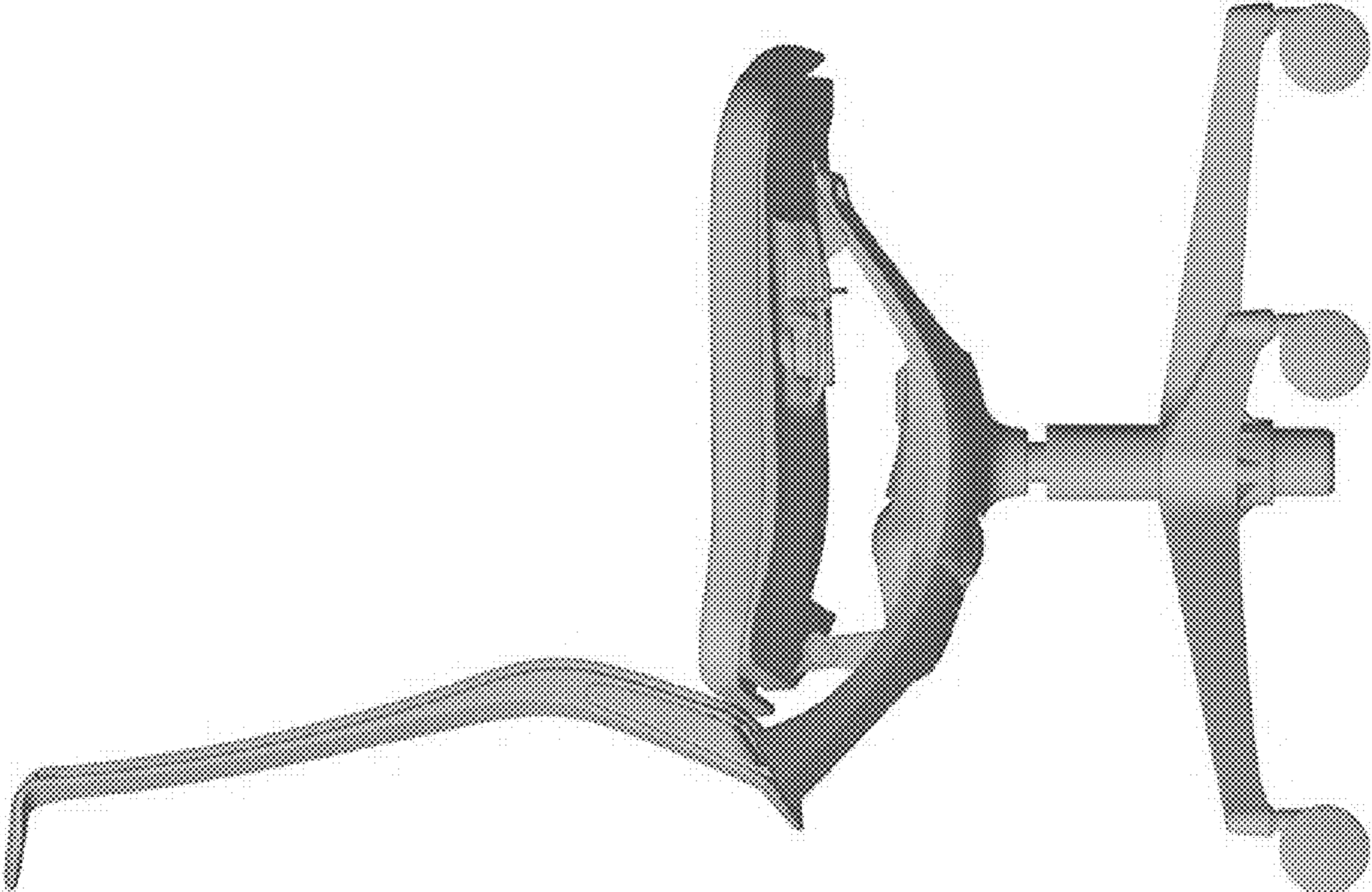


FIG. 5

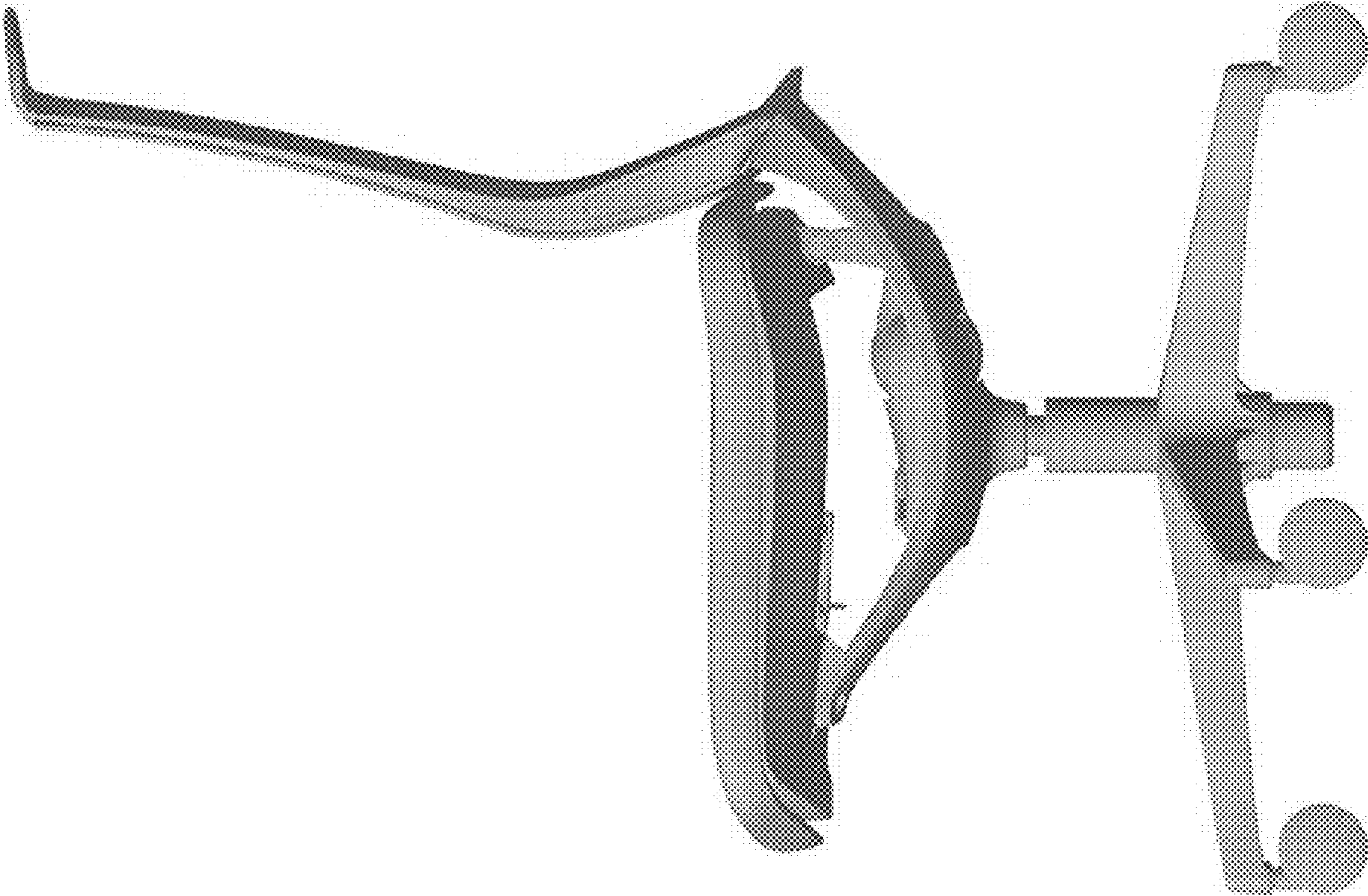


FIG. 6

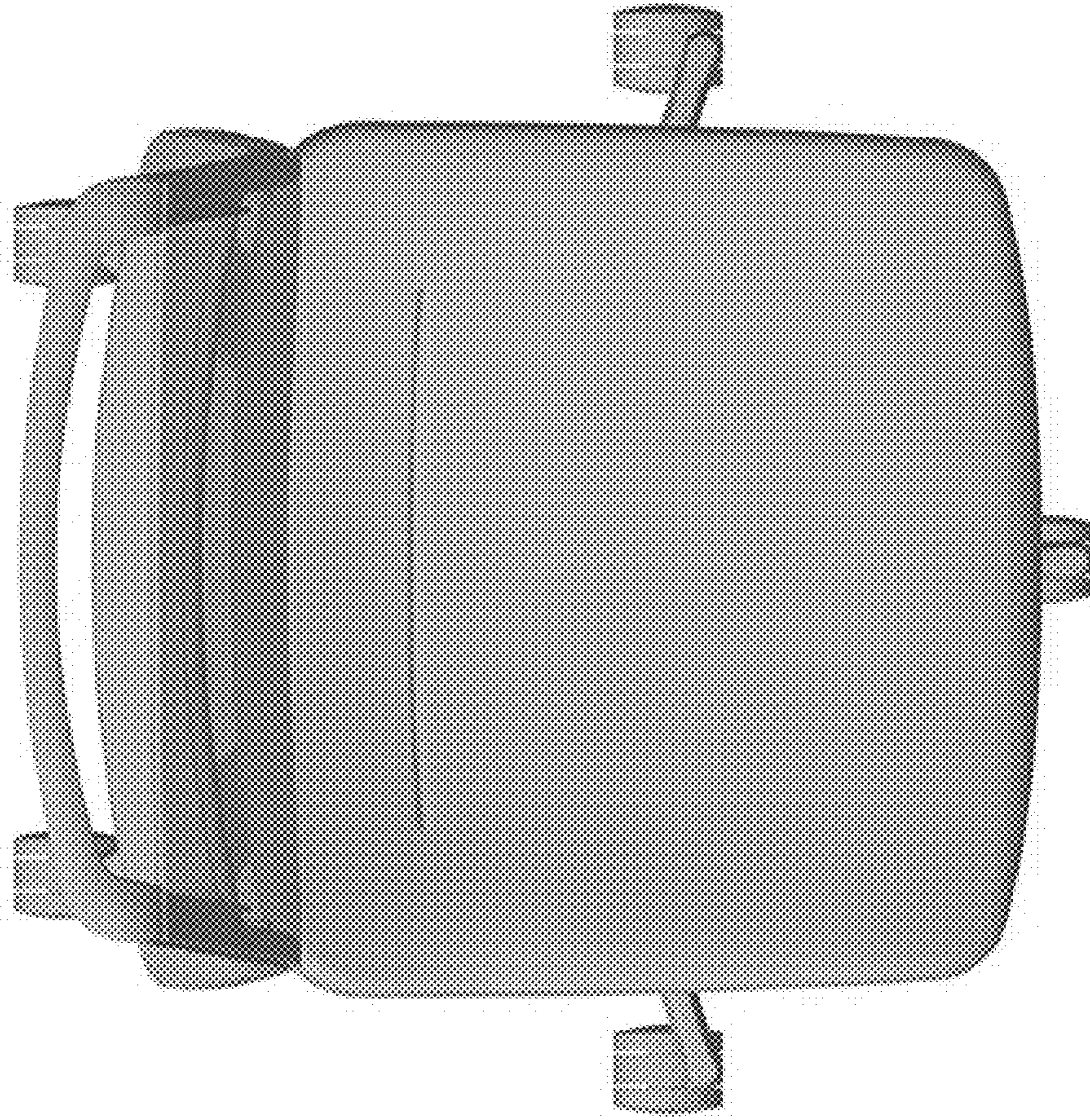


FIG. 7

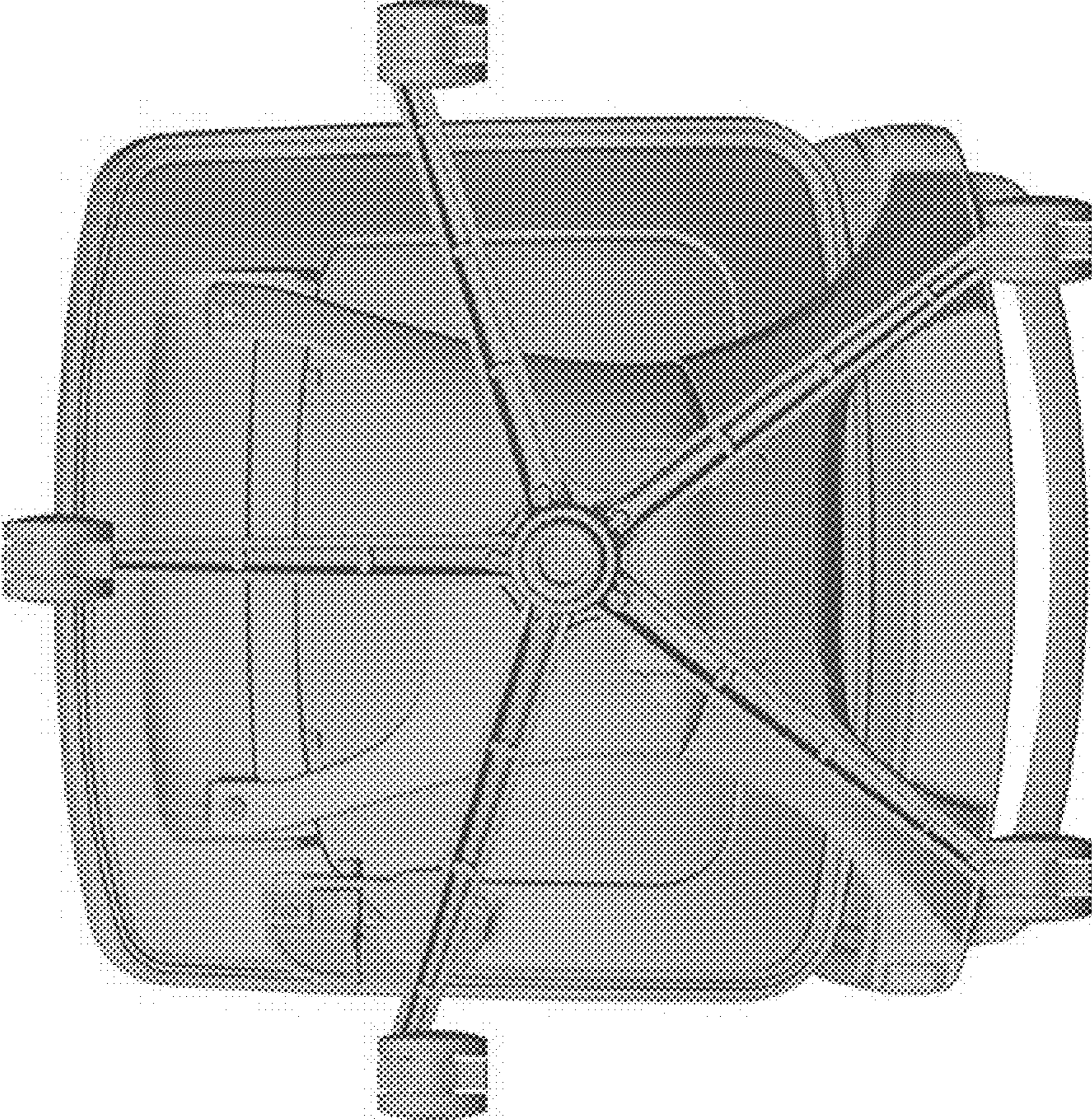


FIG. 8