



US00D903354S

(12) **United States Design Patent** (10) **Patent No.:** **US D903,354 S**  
**Igarashi** (45) **Date of Patent:** **\*\* Dec. 1, 2020**

(54) **CHAIR**

(71) Applicant: **Okamura Corporation**, Yokohama (JP)

(72) Inventor: **Ryo Igarashi**, Yokohama (JP)

(73) Assignee: **Okamura Corporation**, Yokohama (JP)

(\*\*) Term: **15 Years**

(21) Appl. No.: **29/685,847**

(22) Filed: **Apr. 1, 2019**

(30) **Foreign Application Priority Data**

Oct. 1, 2018 (JP) ..... 2018-021429

(51) **LOC (12) Cl.** ..... **06-01**

(52) **U.S. Cl.**  
USPC ..... **D6/366**

(58) **Field of Classification Search**

USPC ..... D6/356, 364, 365, 366, 367, 379, 716,  
D6/716.4, 716.7; D21/521, 695

CPC ..... A47C 1/03294; A47C 1/034; A47C 1/032;  
A47C 1/031; A47C 1/023; A47C 3/029;  
A47C 3/027; A47C 3/04; A47C 3/02;  
A47C 3/12; A47C 4/03; A47C 4/04;  
A47C 5/12; A47C 7/029; A47C 7/02;  
A47C 7/18; A47C 7/28; A47C 7/32;  
A47C 7/38; A47C 7/40; A47C 7/44;  
A47C 7/46; A47C 7/54; A47C 7/425;  
A47C 7/445; A47C 31/023; A47C 31/04;  
B60R 2/0284; B60R 2/062; B60R 22/001;  
B60R 22/24; B60R 22/28; B60R 22/58;  
B60R 22/64; B60R 22/68; B60R 22/80;  
B60R 22/99; B60R 22/245; B60R 22/643;  
B60R 22/646; B60R 22/665; B60R  
22/686; B60R 22/688; B60R 22/803;  
B60R 22/986; B60R 22/914; B60R  
22/995; F16B 2/08; F16B 45/00; Y10S  
297/01; A47D 13/10

See application file for complete search history.

(56) **References Cited**

U.S. PATENT DOCUMENTS

D613,085	S	*	4/2010	Fujita	.....	D6/366
D613,086	S	*	4/2010	Fujita	.....	D6/366
D652,223	S	*	1/2012	Fujita	.....	D6/366
D665,589	S	*	8/2012	Wagner	.....	D6/366
D665,592	S	*	8/2012	Citterio	.....	D6/366
D675,463	S	*	2/2013	Collinson	.....	D6/366
D687,641	S	*	8/2013	Barrell	.....	D6/366
D701,068	S	*	3/2014	Usumoto	.....	D6/366
D710,640	S	*	8/2014	Usumoto	.....	D6/366
D733,445	S	*	7/2015	Izawa	.....	D6/366
D733,446	S	*	7/2015	Izawa	.....	D6/366
D736,533	S	*	8/2015	Ballendat	.....	D6/366
D751,835	S	*	3/2016	Izawa	.....	D6/366
D751,836	S	*	3/2016	Izawa	.....	D6/366
D768,401	S	*	10/2016	Lievore	.....	D6/366

(Continued)

*Primary Examiner* — Kevin K Rudzinski

*Assistant Examiner* — Paul D Bohannon

(74) *Attorney, Agent, or Firm* — Banner & Witcoff, Ltd.

(57) **CLAIM**

The ornamental design for a chair, as shown and described.

**DESCRIPTION**

FIG. 1 is a front perspective view of a chair showing my new design;

FIG. 2 is a rear perspective view thereof;

FIG. 3 is a front view thereof;

FIG. 4 is a rear view thereof;

FIG. 5 is a left side view thereof;

FIG. 6 is a right side view thereof;

FIG. 7 is a top view thereof; and,

FIG. 8 is a bottom view thereof.

The backrest sheet of the chair is made of mesh.

**1 Claim, 8 Drawing Sheets**



(56)

**References Cited**

U.S. PATENT DOCUMENTS

D793,141 S \* 8/2017 Igarashi ..... D6/716.4  
D799,843 S \* 10/2017 Chen ..... D6/366  
D801,718 S \* 11/2017 Barber ..... D6/366  
D801,719 S \* 11/2017 Meda ..... D6/366  
D802,315 S \* 11/2017 Meda ..... D6/366  
D824,711 S \* 8/2018 Brooks ..... D6/716  
D826,586 S \* 8/2018 Krob ..... D6/366  
D834,844 S \* 12/2018 Chan ..... D6/366  
D853,163 S \* 7/2019 Kolberg ..... D6/716  
D856,695 S \* 8/2019 Chen ..... D6/366  
10,602,855 B2 \* 3/2020 Naitou ..... A47C 7/40  
D880,182 S \* 4/2020 Wang ..... D6/366  
D881,621 S \* 4/2020 Jin ..... D6/716.1  
10,610,023 B2 \* 4/2020 Daur ..... A47C 7/448  
2018/0296004 A1 \* 10/2018 Naitou ..... A47C 31/023

\* cited by examiner

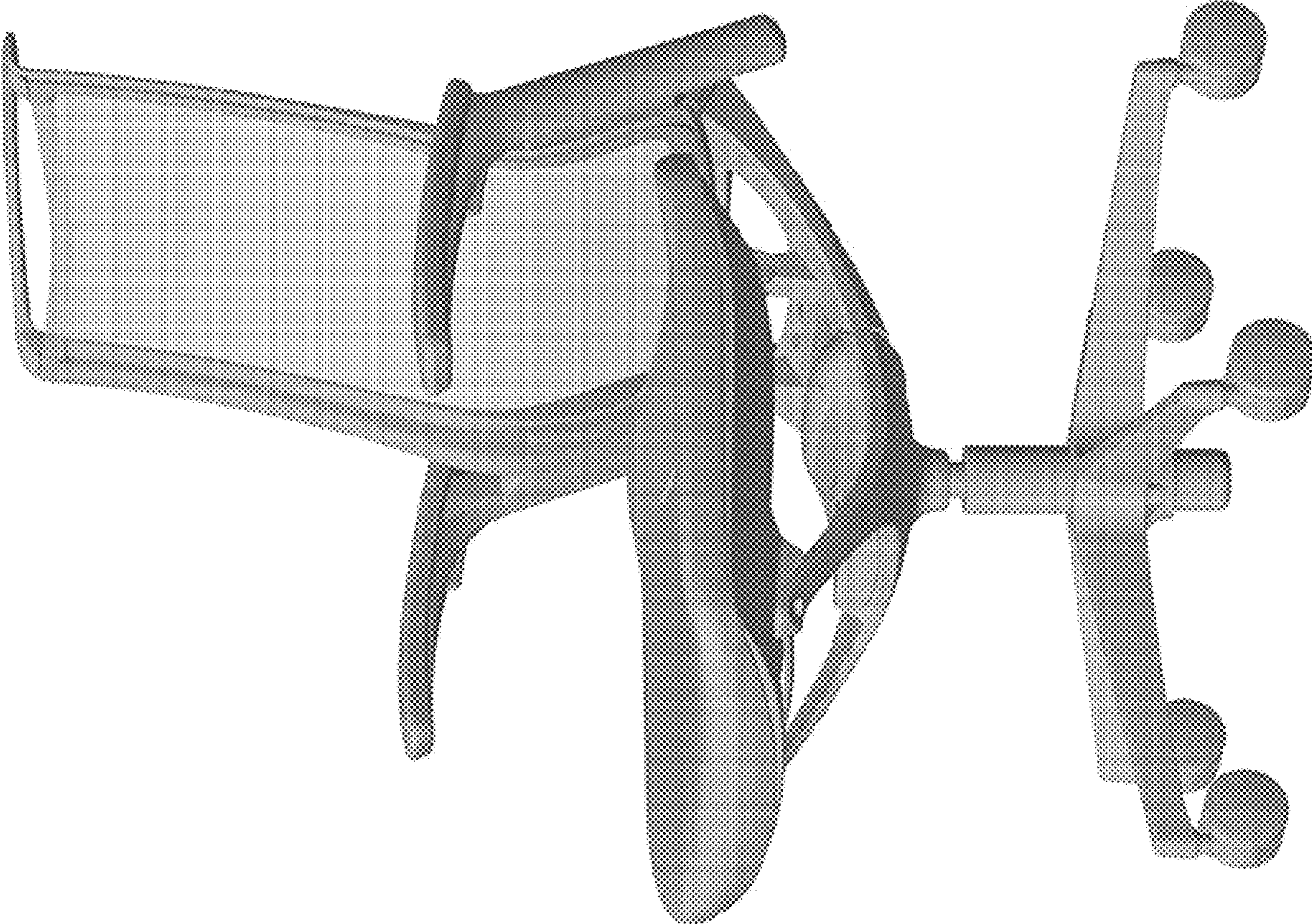


FIG. 1

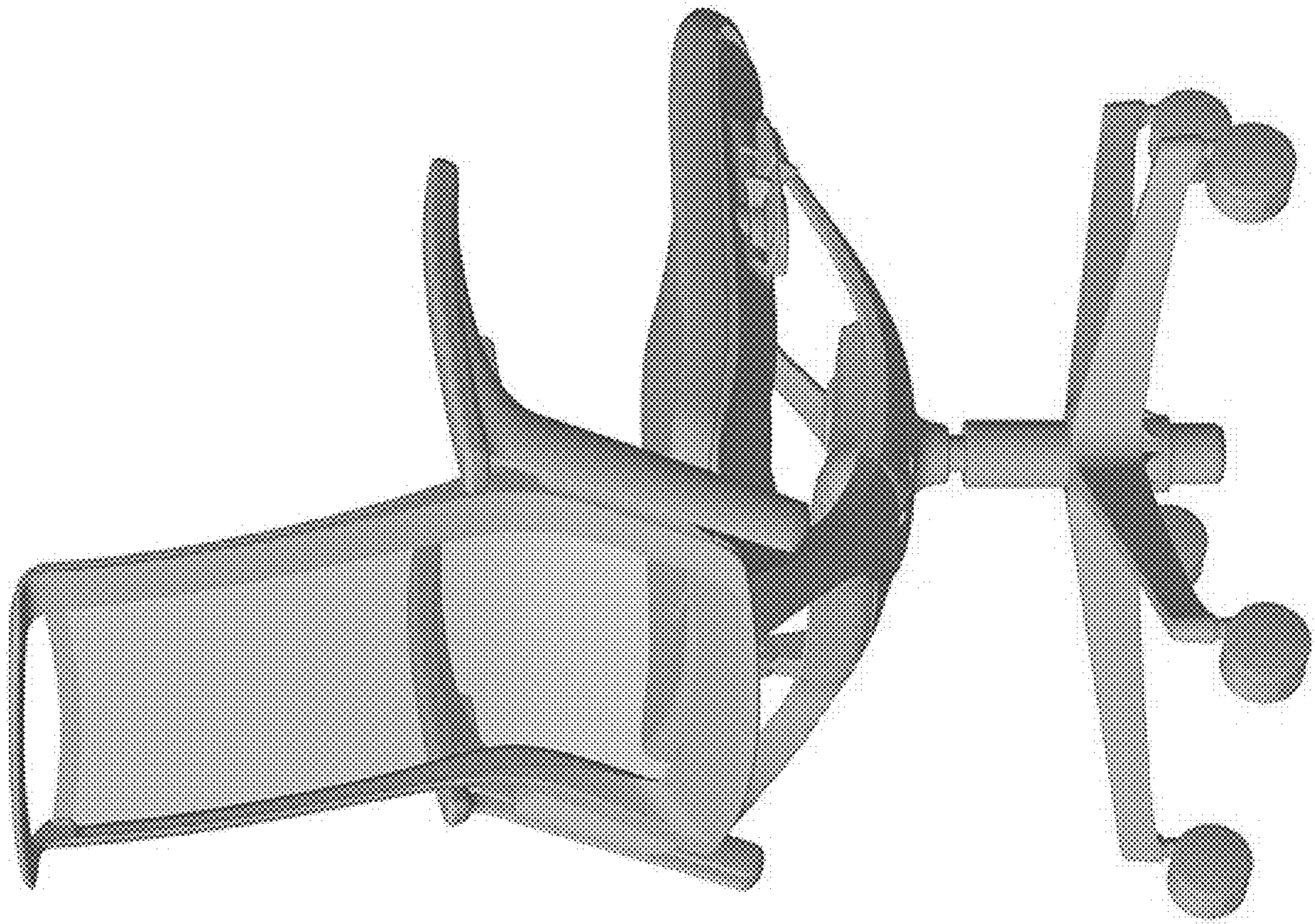


FIG. 2

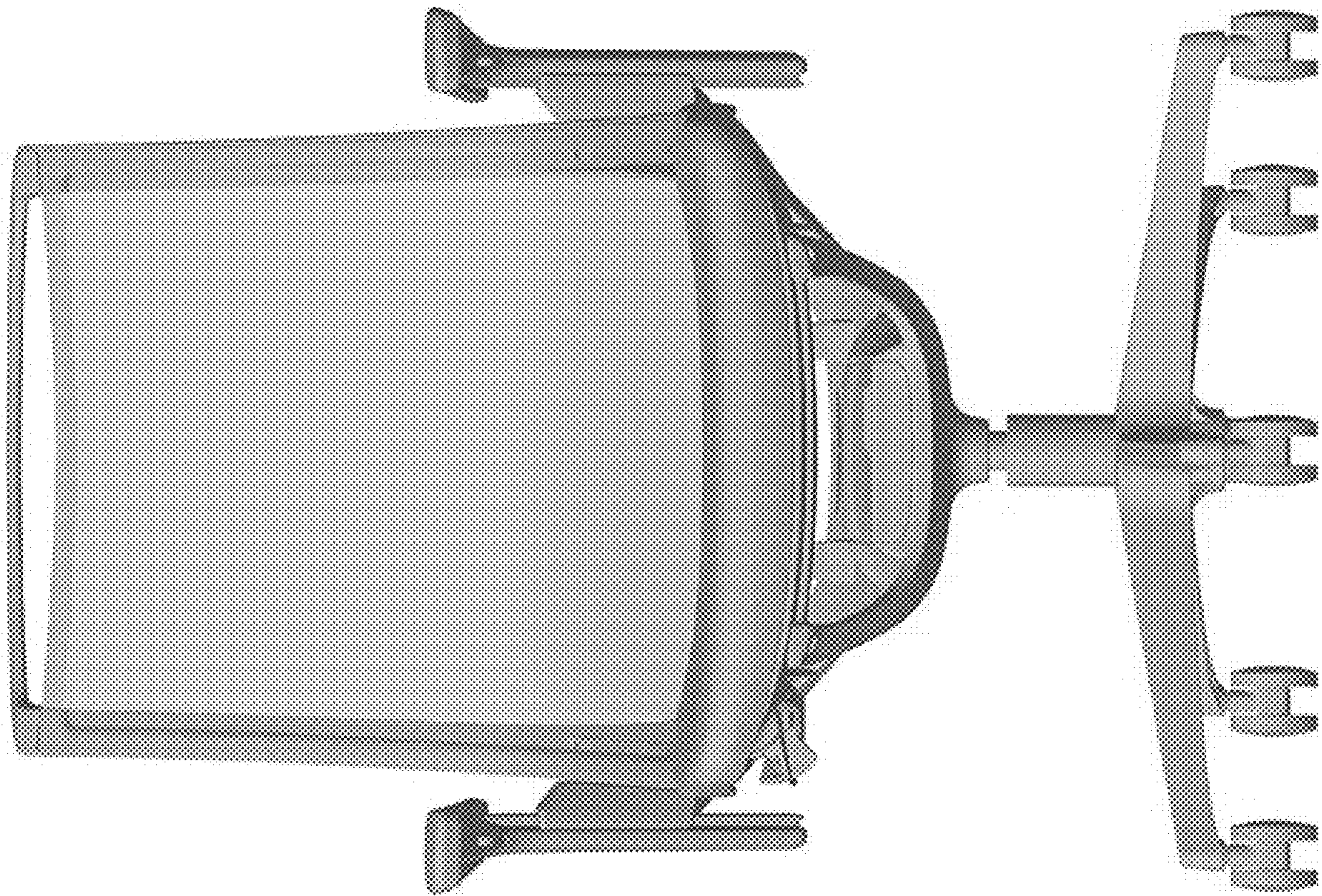


FIG. 3

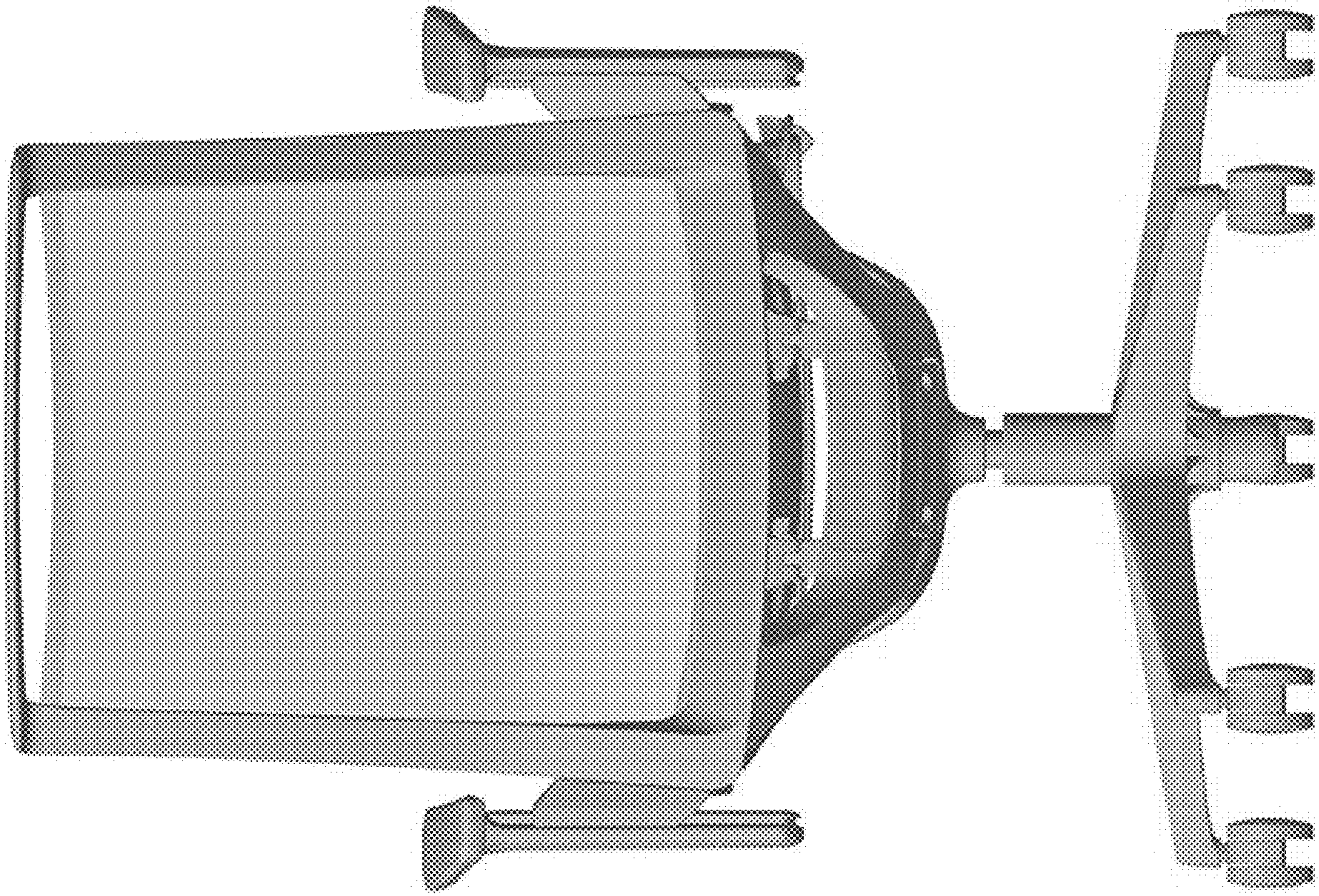


FIG. 4

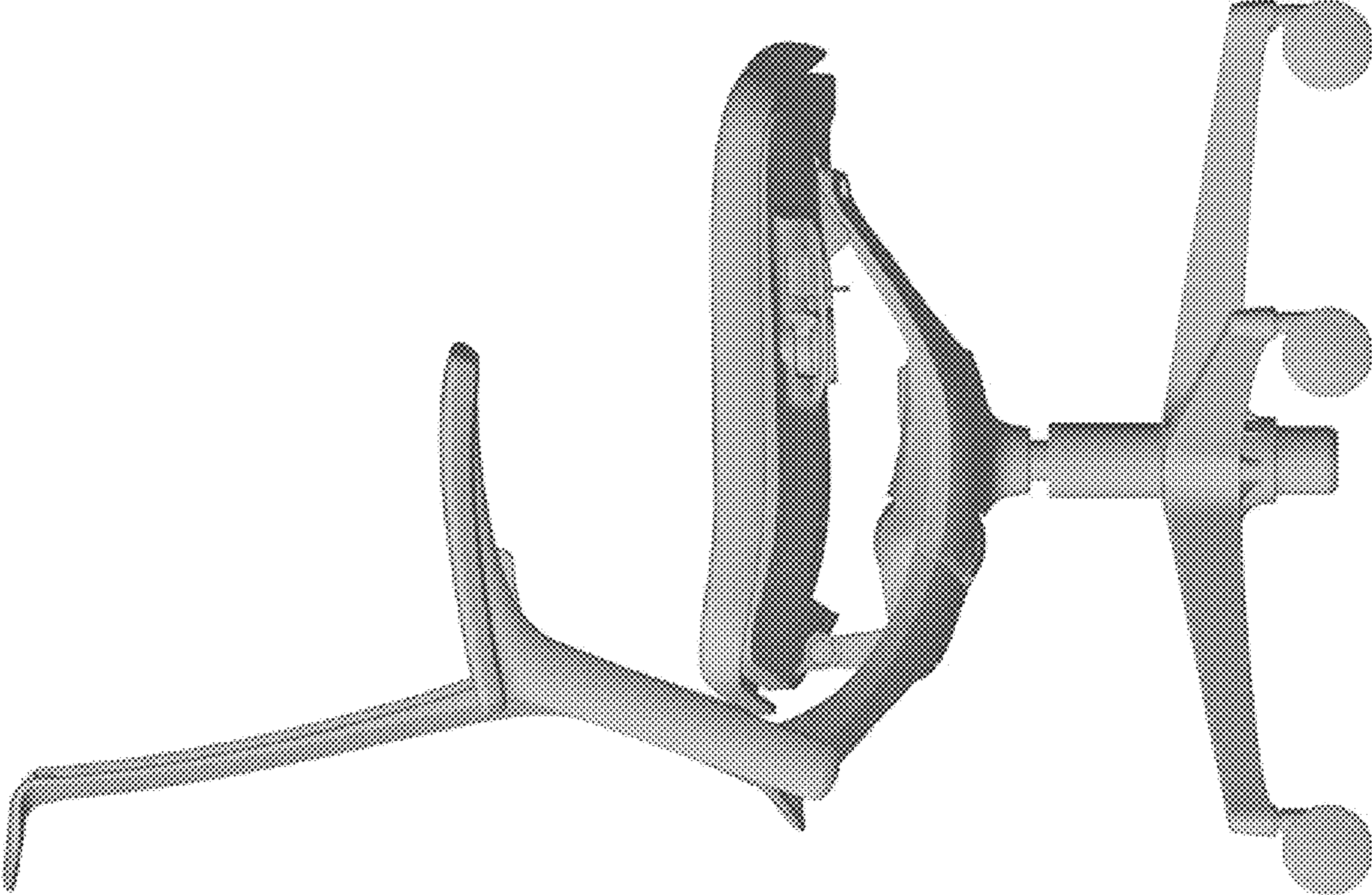


FIG. 5

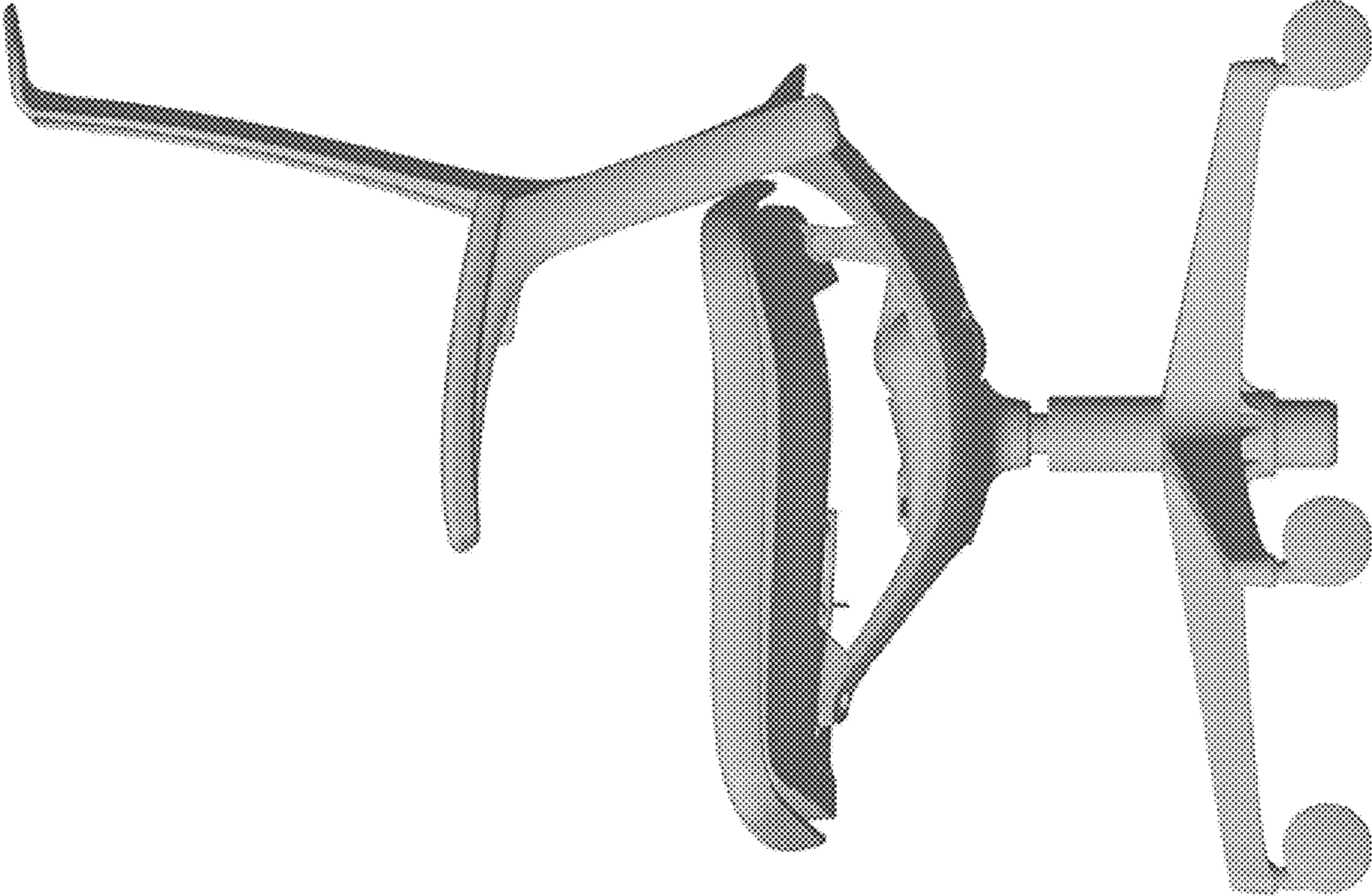


FIG. 6



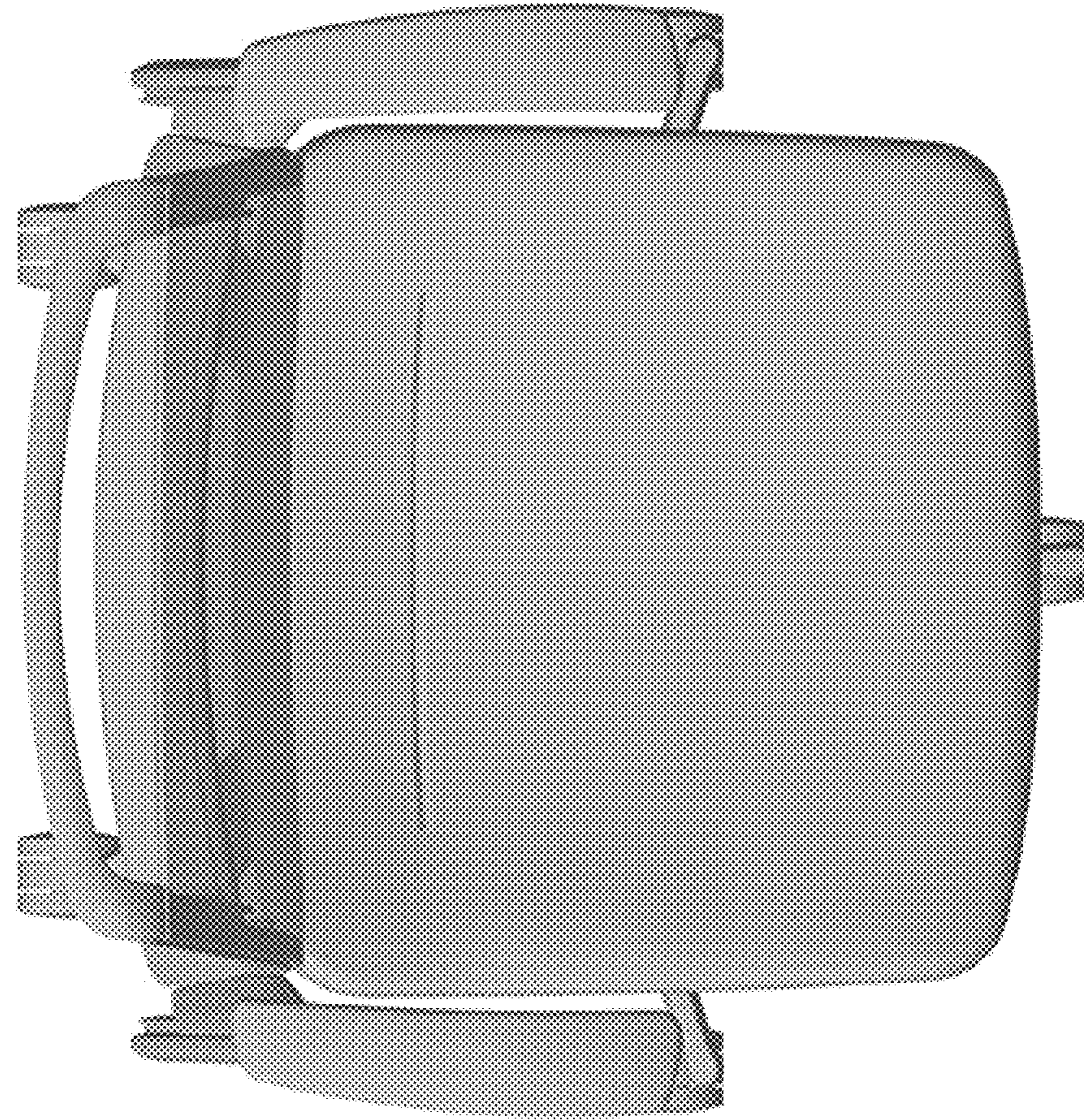


FIG. 7

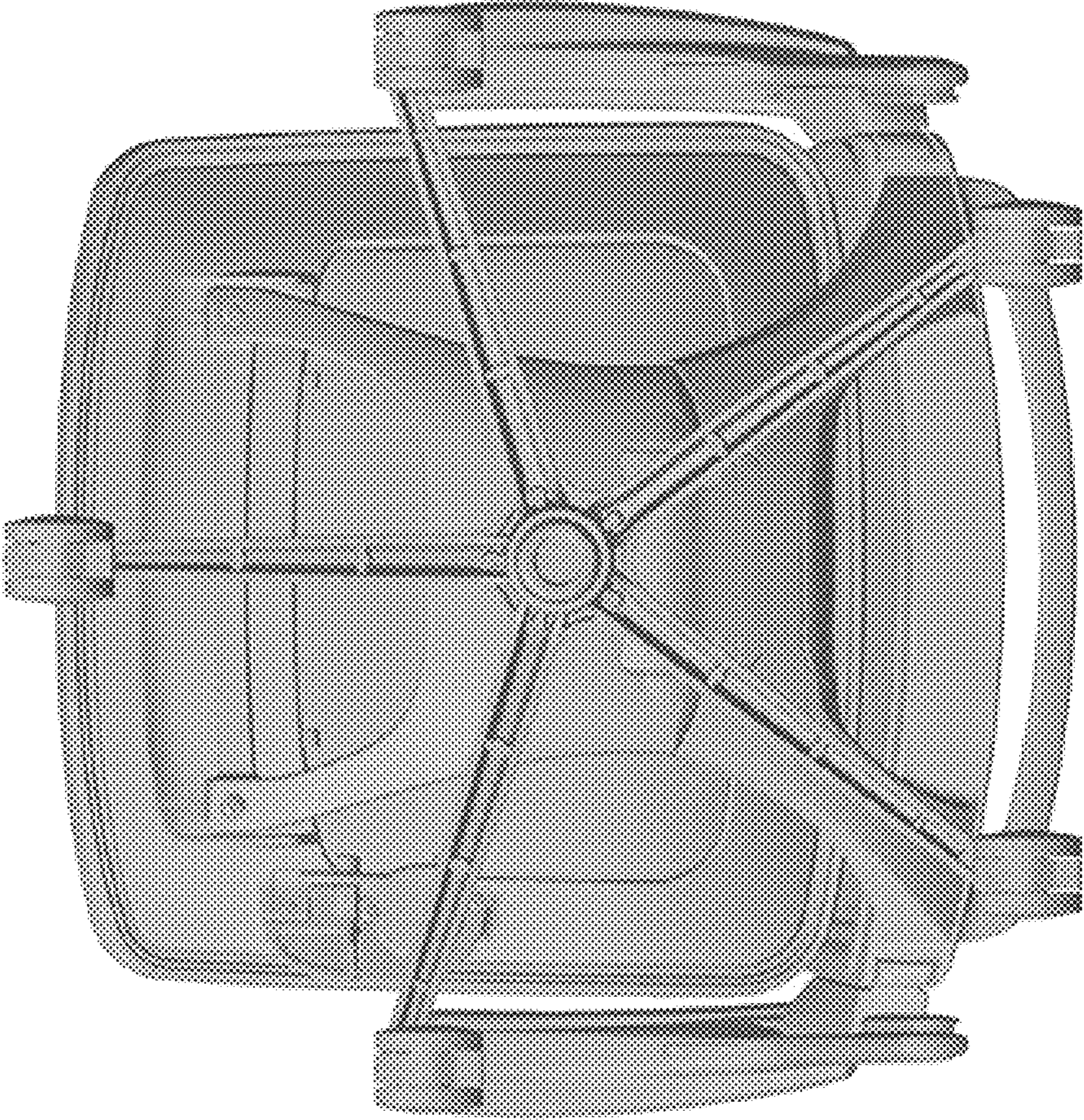


FIG. 8