



US00D903352S

(12) **United States Design Patent** (10) **Patent No.:** **US D903,352 S**
Wilson et al. (45) **Date of Patent:** **** Dec. 1, 2020**

(54) **ARM FOR DENTAL CHAIR**
(71) Applicant: **A-dec, Inc.**, Newberg, OR (US)
(72) Inventors: **Jonathan Wilson**, Beaverton, OR (US);
Charles Thomas Stark, Tigard, OR (US)
(73) Assignee: **A-dec, Inc.**, Newberg, OR (US)
(**) Term: **15 Years**

(21) Appl. No.: **29/687,383**
(22) Filed: **Apr. 12, 2019**
(51) **LOC (12) Cl.** **06-01**
(52) **U.S. Cl.**
USPC **D6/364**
(58) **Field of Classification Search**
USPC D6/334, 349, 350, 360, 362, 364, 367,
D6/368, 374, 375, 379, 380, 716.2, 716.7
CPC A47C 3/00; A47C 3/20; A47C 7/50; A47C
7/54; A47C 4/28; A47C 9/007; A47C
16/02; A47C 1/00; A47C 1/02; A47C
1/03; A47C 1/024; A47C 1/037
See application file for complete search history.

(56) **References Cited**
U.S. PATENT DOCUMENTS
7,004,546 B1 * 2/2006 Thisius A47C 7/543
297/411.33
D683,571 S * 6/2013 Egger D6/716.2
D683,573 S * 6/2013 Egger D6/716.3
D688,502 S * 8/2013 Smith D6/716.2
D689,315 S * 9/2013 Smith D6/716.2
D707,479 S * 6/2014 Egger D6/716.2

D771,989 S * 11/2016 Giugiaro D6/716.2
D779,248 S * 2/2017 Welsh D6/716.2
D803,609 S * 11/2017 Guelfo D6/716.2
D888,479 S * 6/2020 Ludwig D6/716.2
2007/0164594 A1 * 7/2007 Yang A47C 1/03
297/411.32

FOREIGN PATENT DOCUMENTS
JP 09173178 A * 7/1997 A47C 1/03
JP 2006101929 A * 4/2006 A47C 1/03

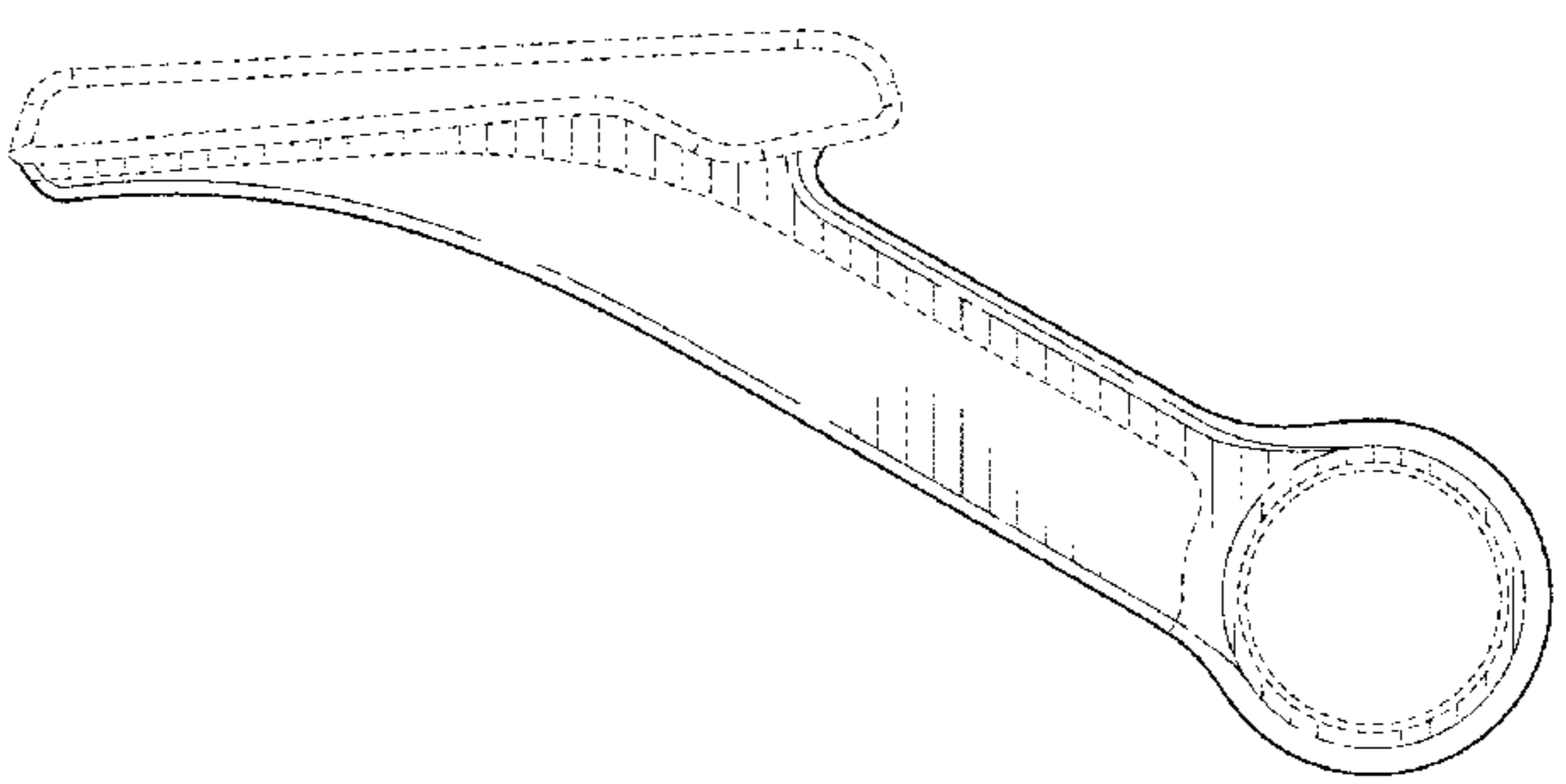
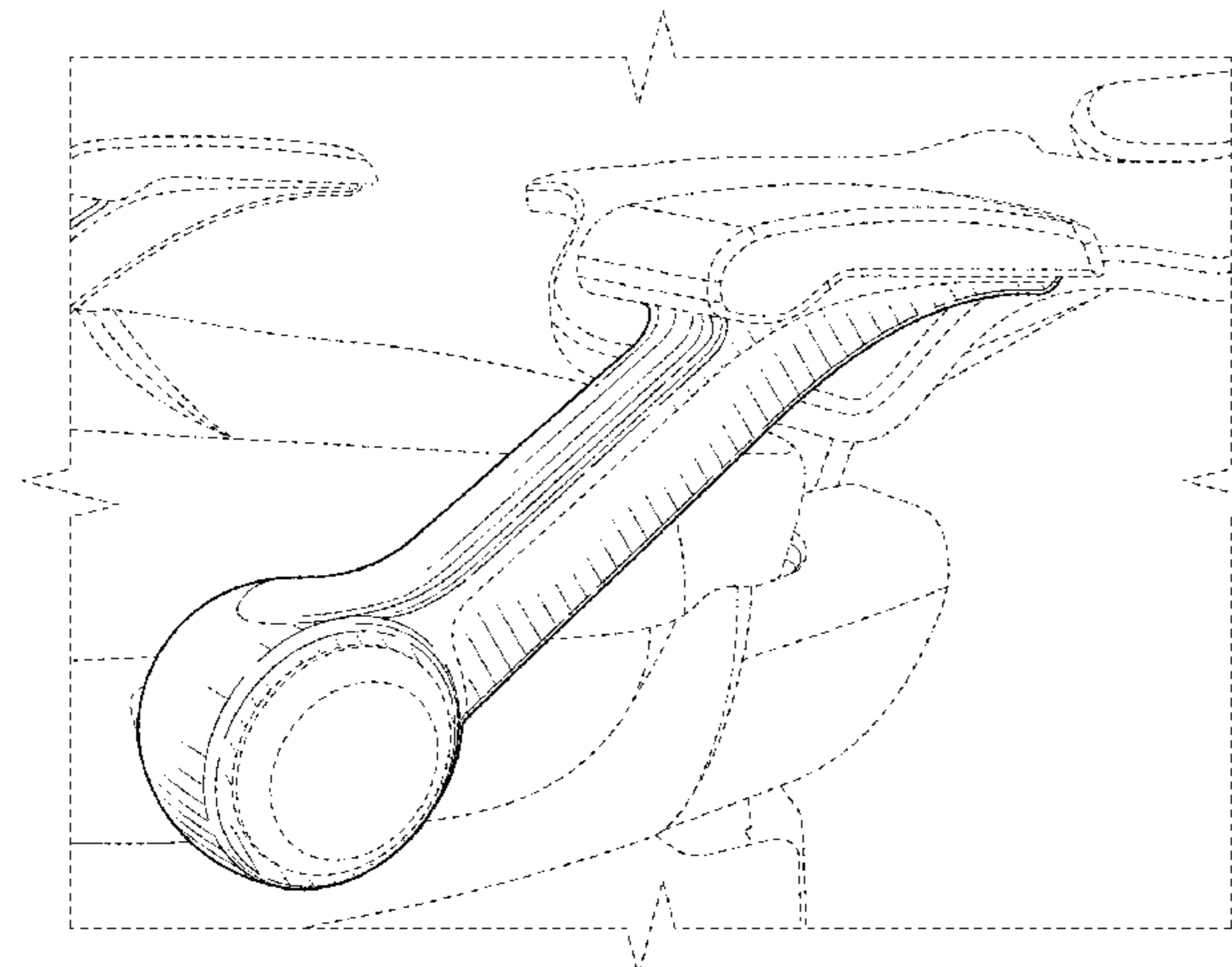
OTHER PUBLICATIONS
“A-dec 500 Brochure,” *A-dec Inc.*, 2017, 32pp.
* cited by examiner

Primary Examiner — R. Johnson
(74) *Attorney, Agent, or Firm* — Klarquist Sparkman,
LLP

(57) **CLAIM**
We claim the ornamental design for an arm for a dental chair,
as shown and described.

DESCRIPTION
FIG. 1 is a perspective view of an arm for dental chair.
FIG. 2 is a front elevational view thereof.
FIG. 3 is a rear elevational view thereof.
FIG. 4 is a right side elevational view thereof.
FIG. 5 is a left side elevational view thereof.
FIG. 6 is a top plan view thereof; and,
FIG. 7 is a bottom plan view thereof.
The broken line showings of an arm pad, arm hub portion
and dental chair form no part of the claimed design.

1 Claim, 3 Drawing Sheets



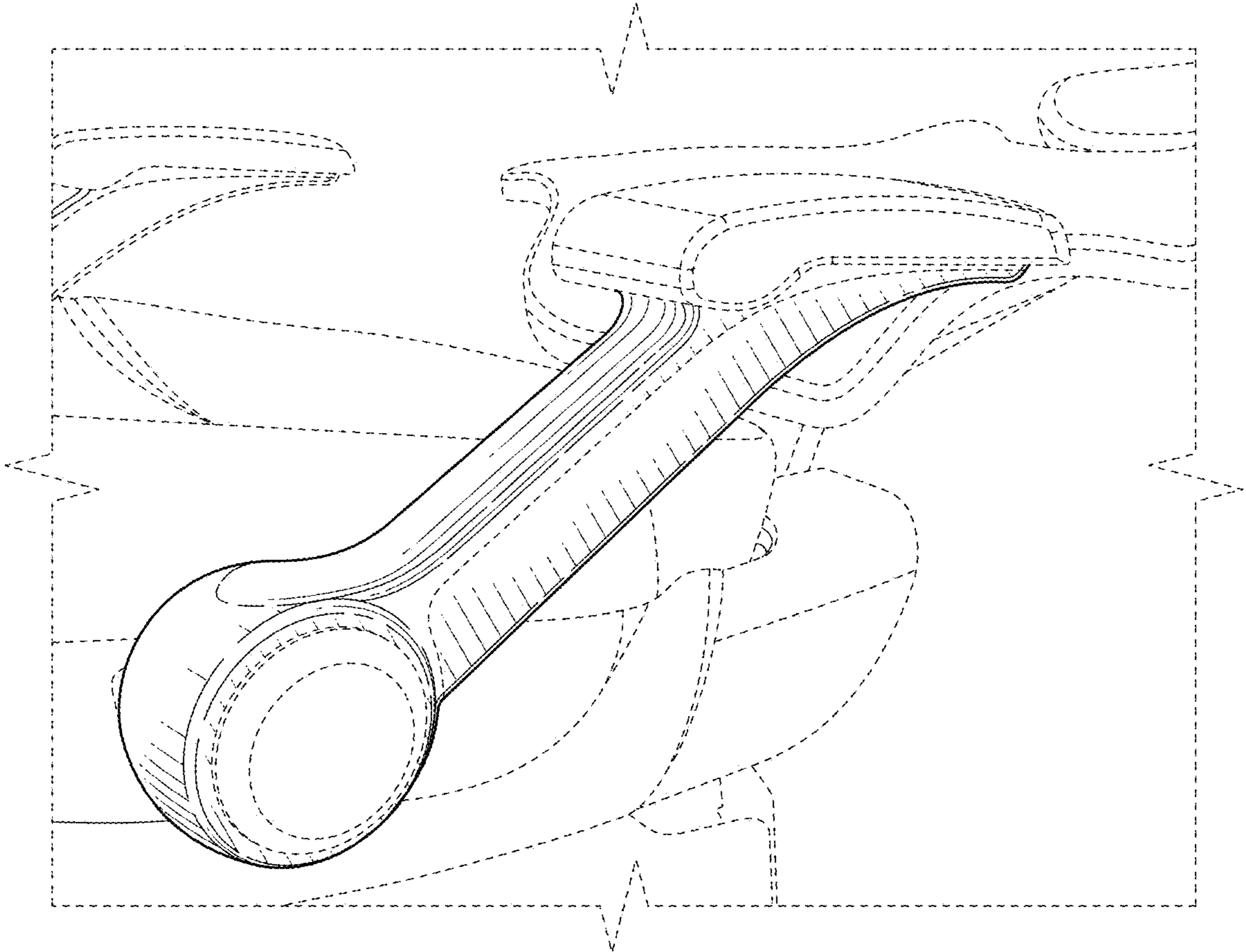


FIG. 1

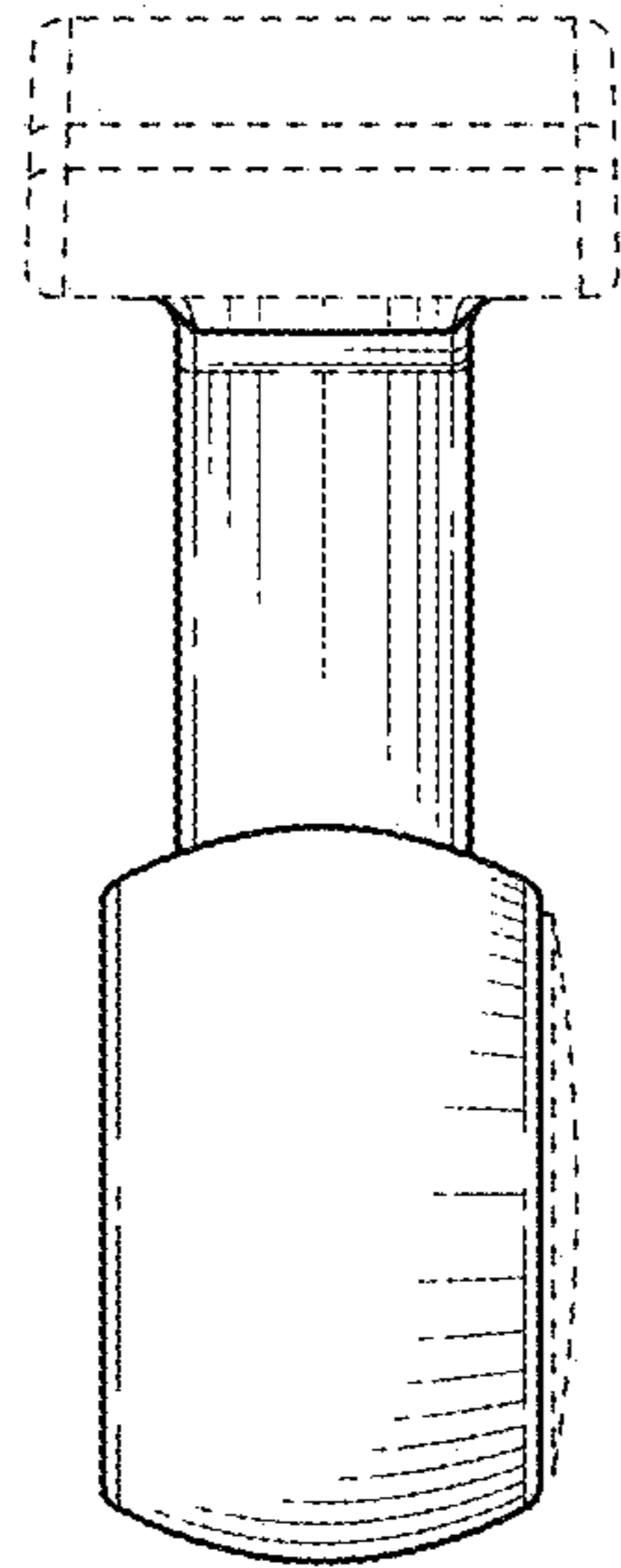


FIG. 2

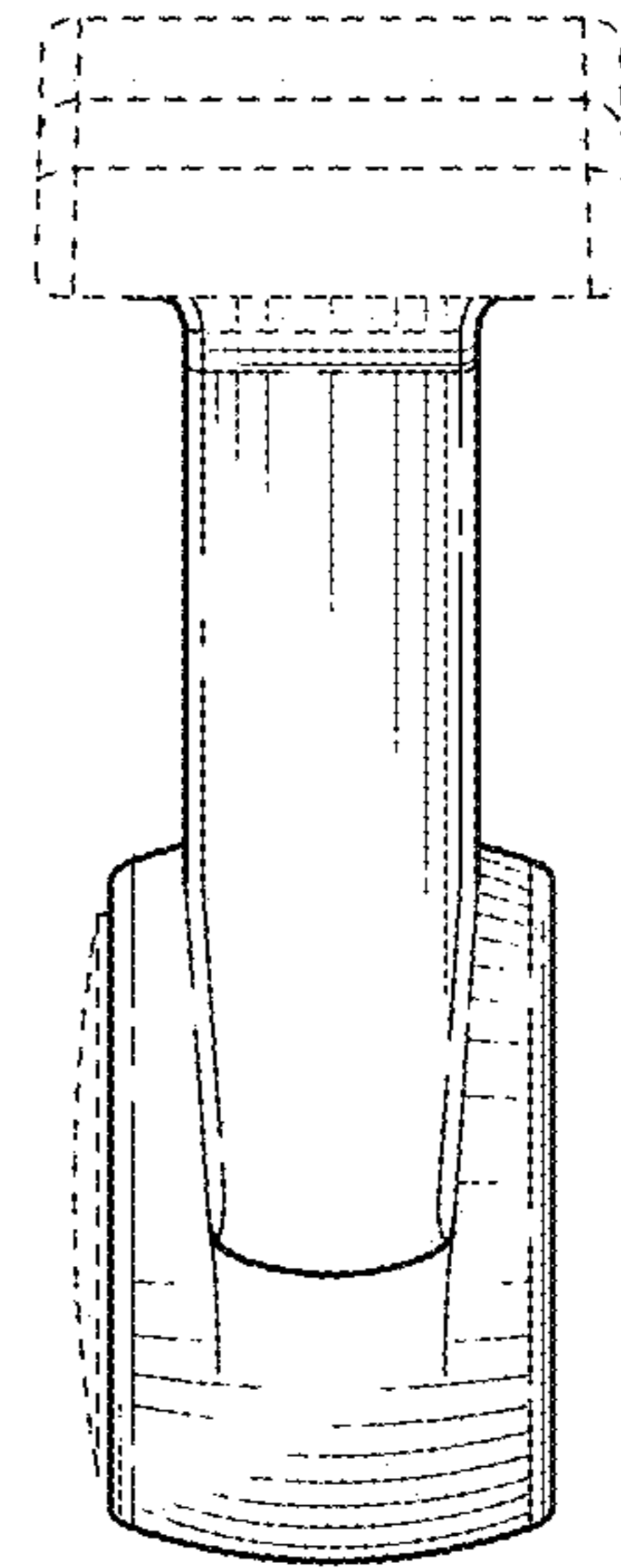


FIG. 3

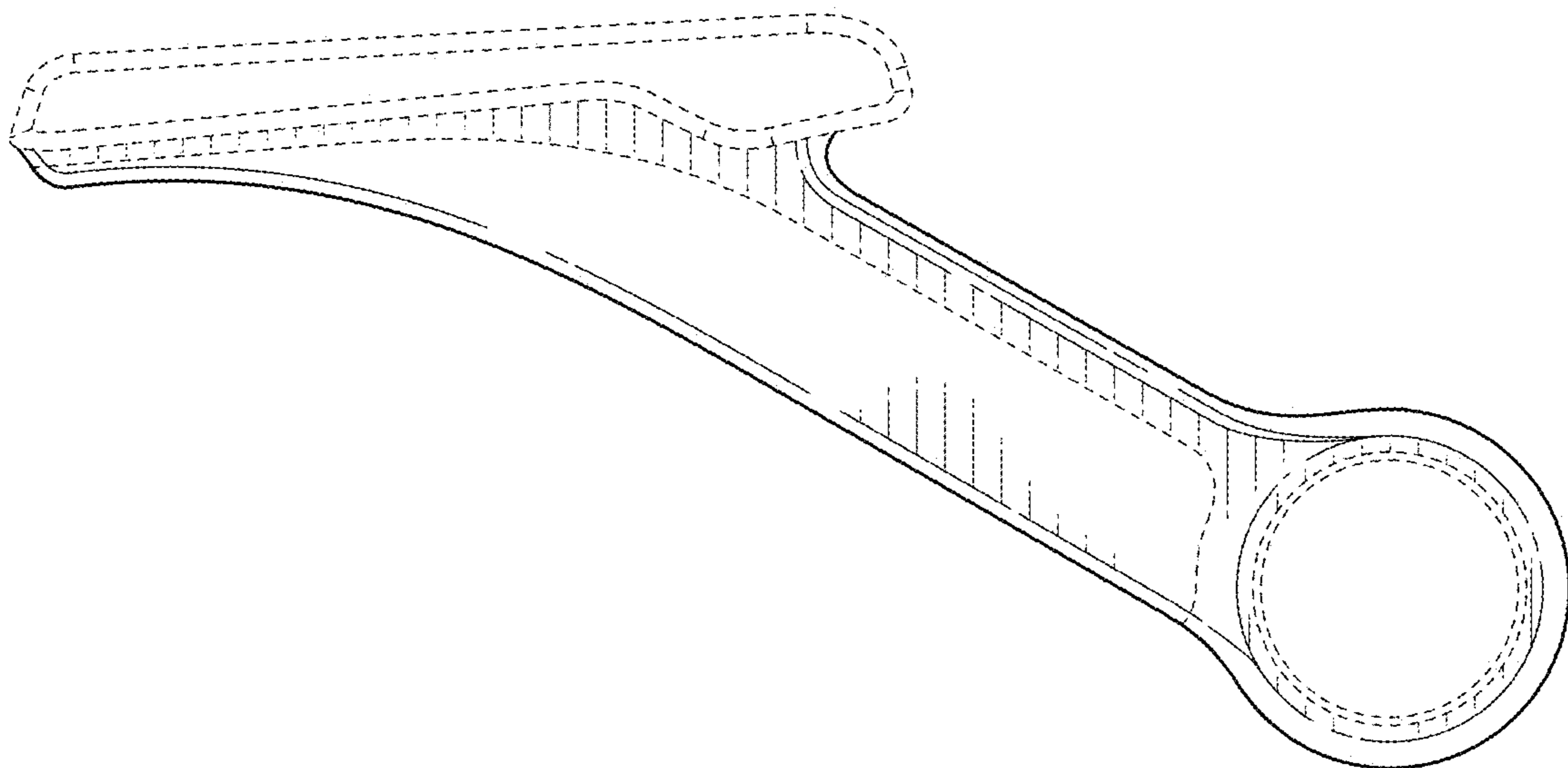


FIG. 4

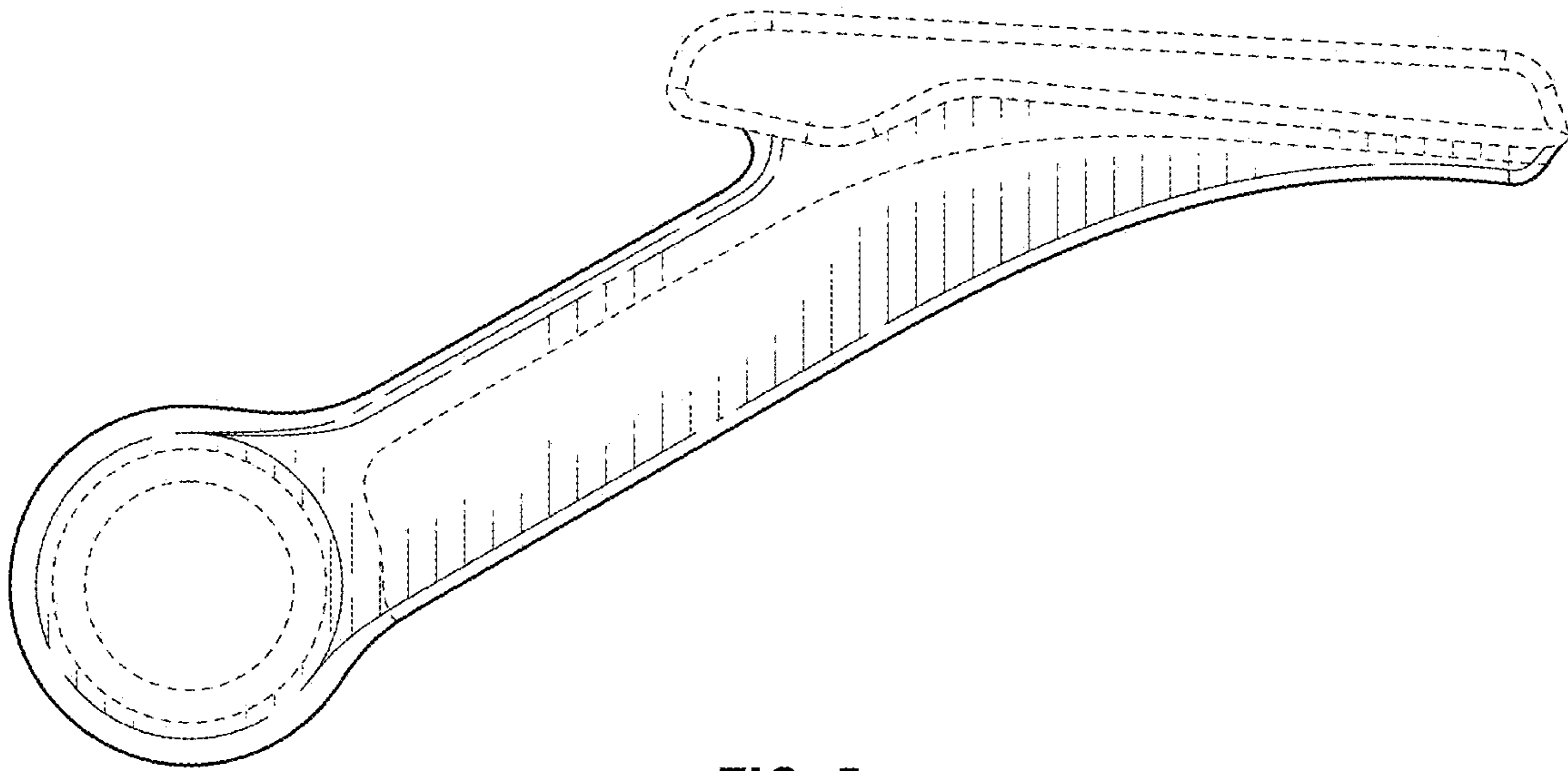


FIG. 5

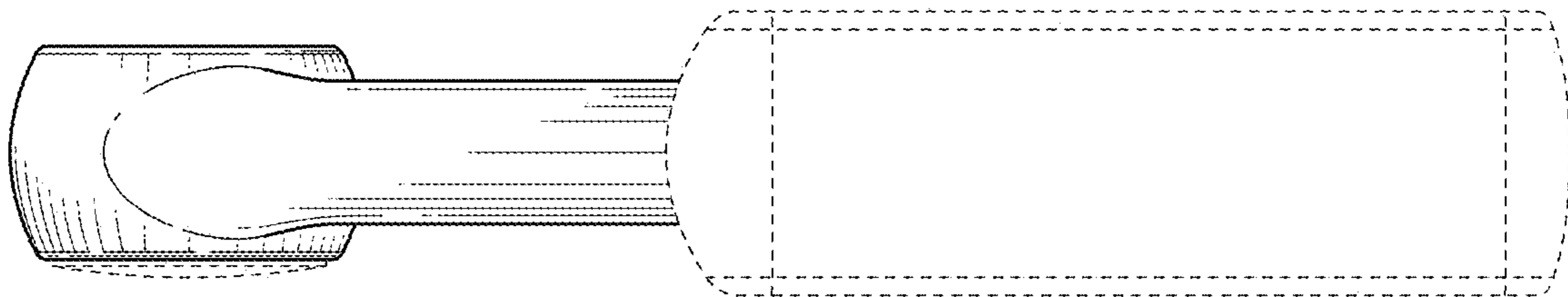


FIG. 6

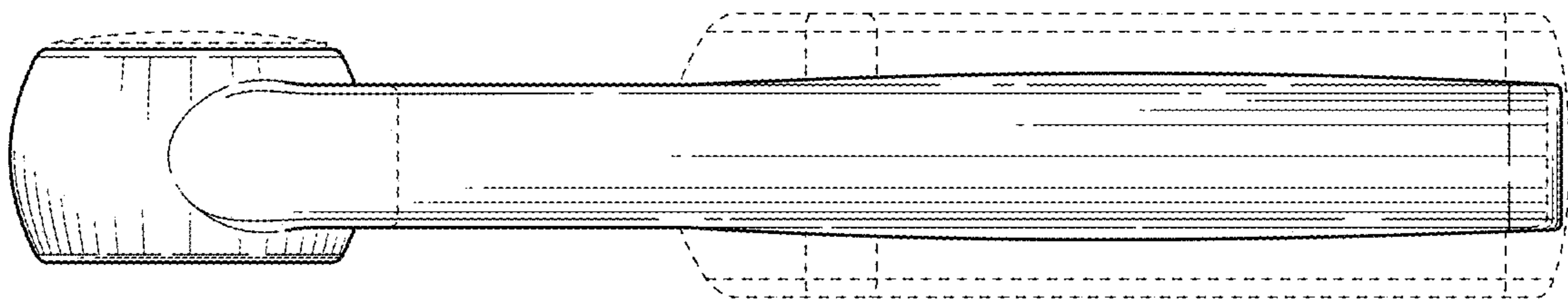


FIG. 7