



US00D903350S

(12) **United States Design Patent** (10) **Patent No.:** **US D903,350 S**
Zhou (45) **Date of Patent:** **** Dec. 1, 2020**

(54) **AIR LOUNGER**

(71) Applicant: **Xiaoou Zhou**, Zhejiang (CN)

(72) Inventor: **Xiaoou Zhou**, Zhejiang (CN)

(73) Assignee: **Wuyi Instinct Outdoor Products Co., Ltd.**, Zhejiang (CN)

(**) Term: **15 Years**

(21) Appl. No.: **29/706,766**

(22) Filed: **Sep. 24, 2019**

(51) **LOC (12) Cl.** **06-01**

(52) **U.S. Cl.**
USPC **D6/361**

(58) **Field of Classification Search**
USPC D6/334, 349, 360, 361, 364, 374, 375,
D6/382, 601, 604
CPC A47C 4/54; A47C 15/006; A47C 17/02;
A47C 17/16
See application file for complete search history.

(56) **References Cited**

U.S. PATENT DOCUMENTS

3,680,917 A * 8/1972 Harris A47C 4/54
297/452.41
D490,493 S * 5/2004 Peterson D21/803

D491,994 S * 6/2004 Peterson D21/803
D524,385 S * 7/2006 Webb D21/687
D809,311 S * 2/2018 Cai D6/361
D819,993 S * 6/2018 Yang D6/361
D829,460 S * 10/2018 Schnermann D6/361
D833,162 S * 11/2018 Schnermann D6/361
D837,552 S * 1/2019 Schnermann D6/361
D845,015 S * 4/2019 Milne D6/361
D846,905 S * 4/2019 Ashworth D6/361
D856,712 S * 8/2019 Xiao D6/604
10,405,663 B2 * 9/2019 Yang A47C 4/54
D865,398 S * 11/2019 Zhang D6/604
D890,536 S * 7/2020 Schnermann D6/361

* cited by examiner

Primary Examiner — R. Johnson

(57) **CLAIM**

The ornamental design for an air lounger, as shown and described.

DESCRIPTION

FIG. 1 is a perspective view of an air lounger showing my new design;
FIG. 2 is a front elevational view thereof;
FIG. 3 is a rear elevational view thereof;
FIG. 4 is a left side elevational view thereof;
FIG. 5 is a right side elevational view thereof;
FIG. 6 is a top plan view thereof; and,
FIG. 7 is a bottom plan view thereof.

1 Claim, 7 Drawing Sheets

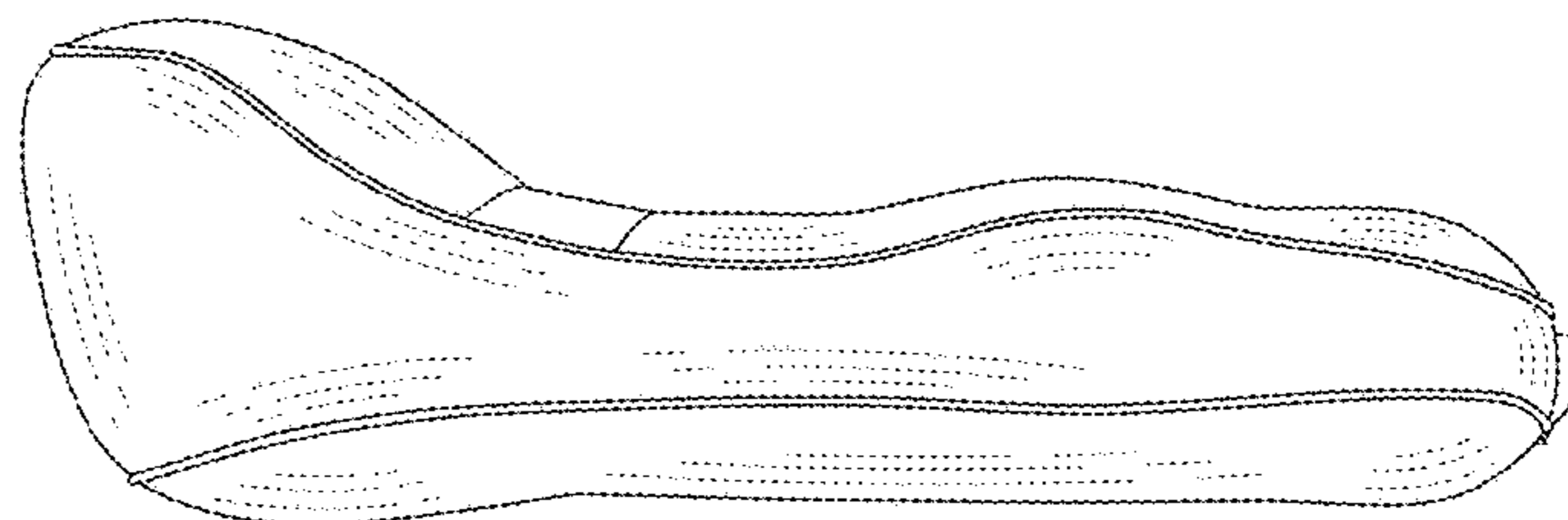
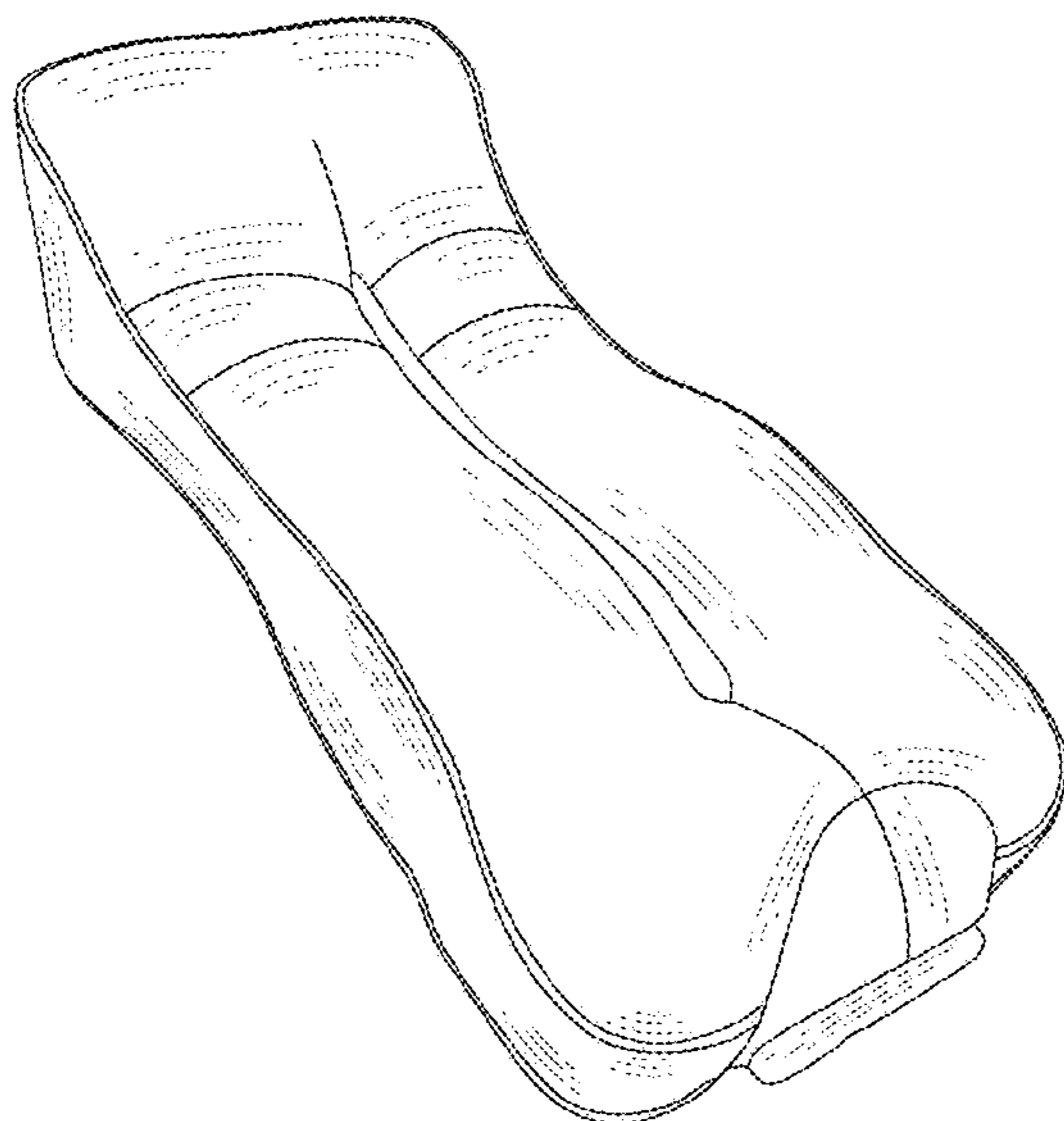




FIG. 1

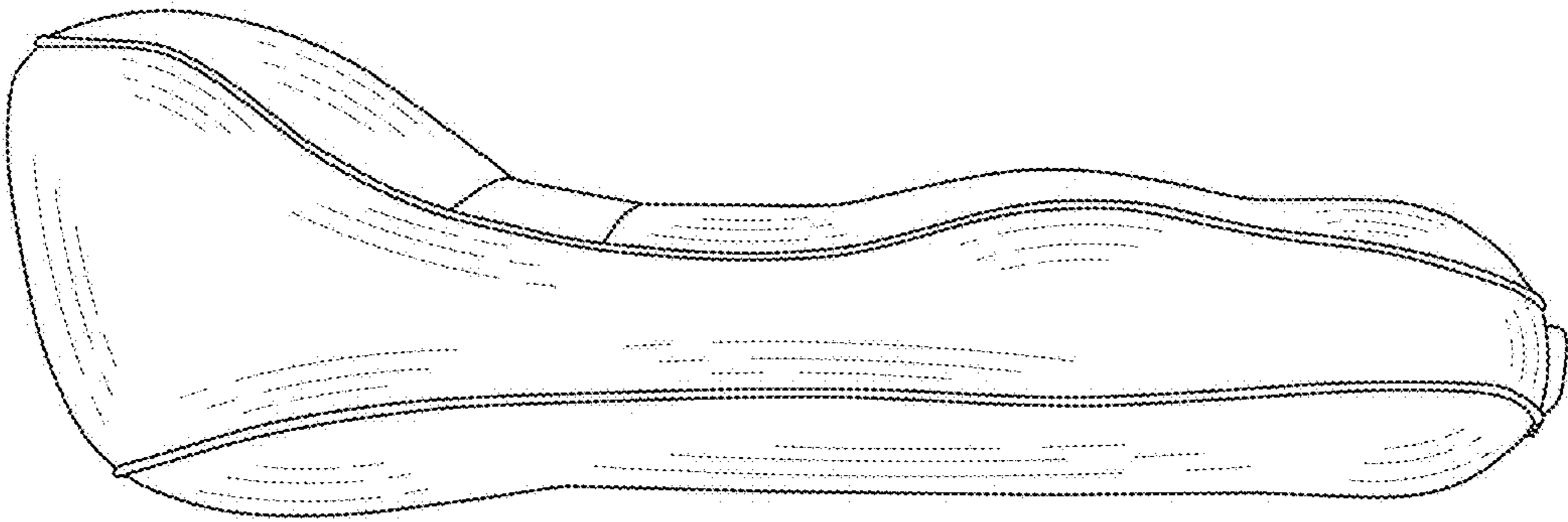


FIG. 2

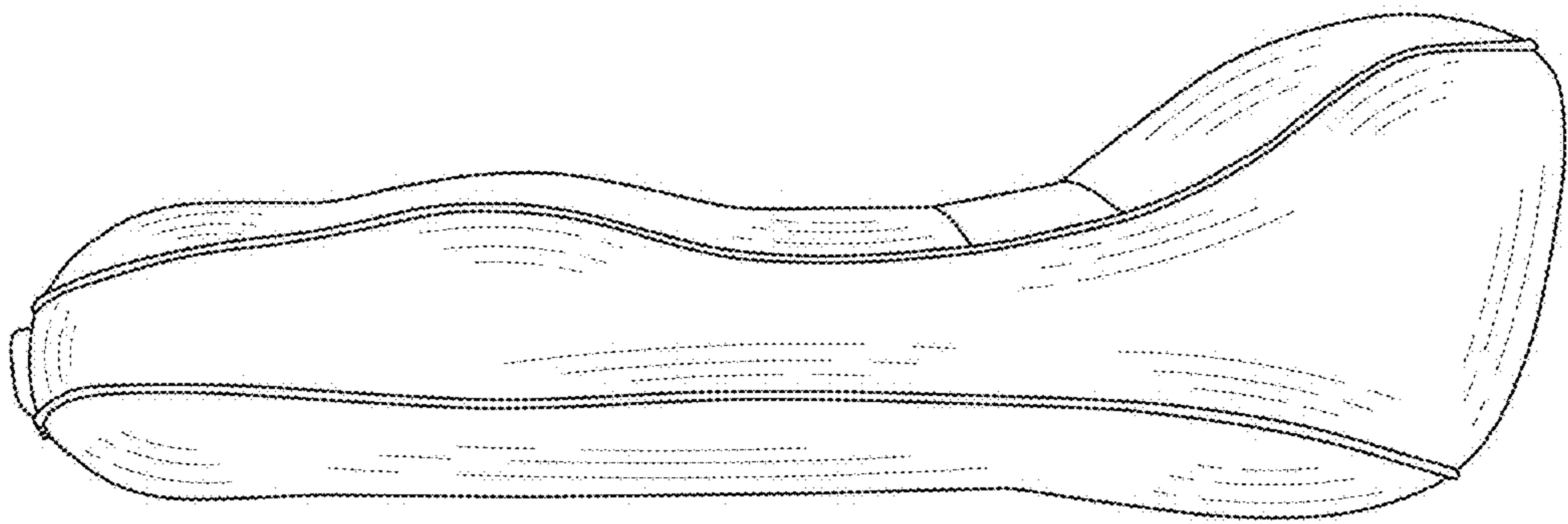


FIG. 3

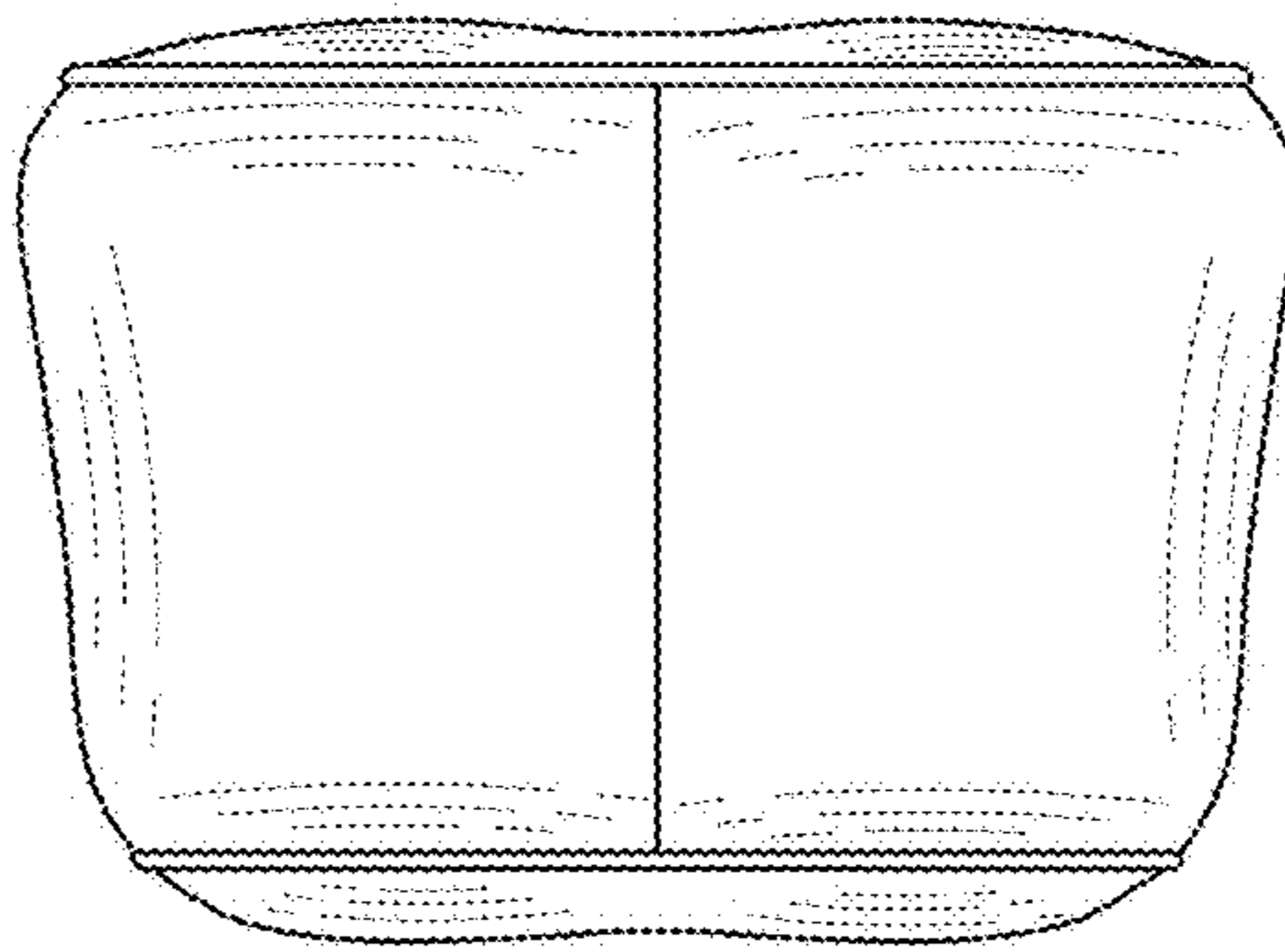


FIG. 4

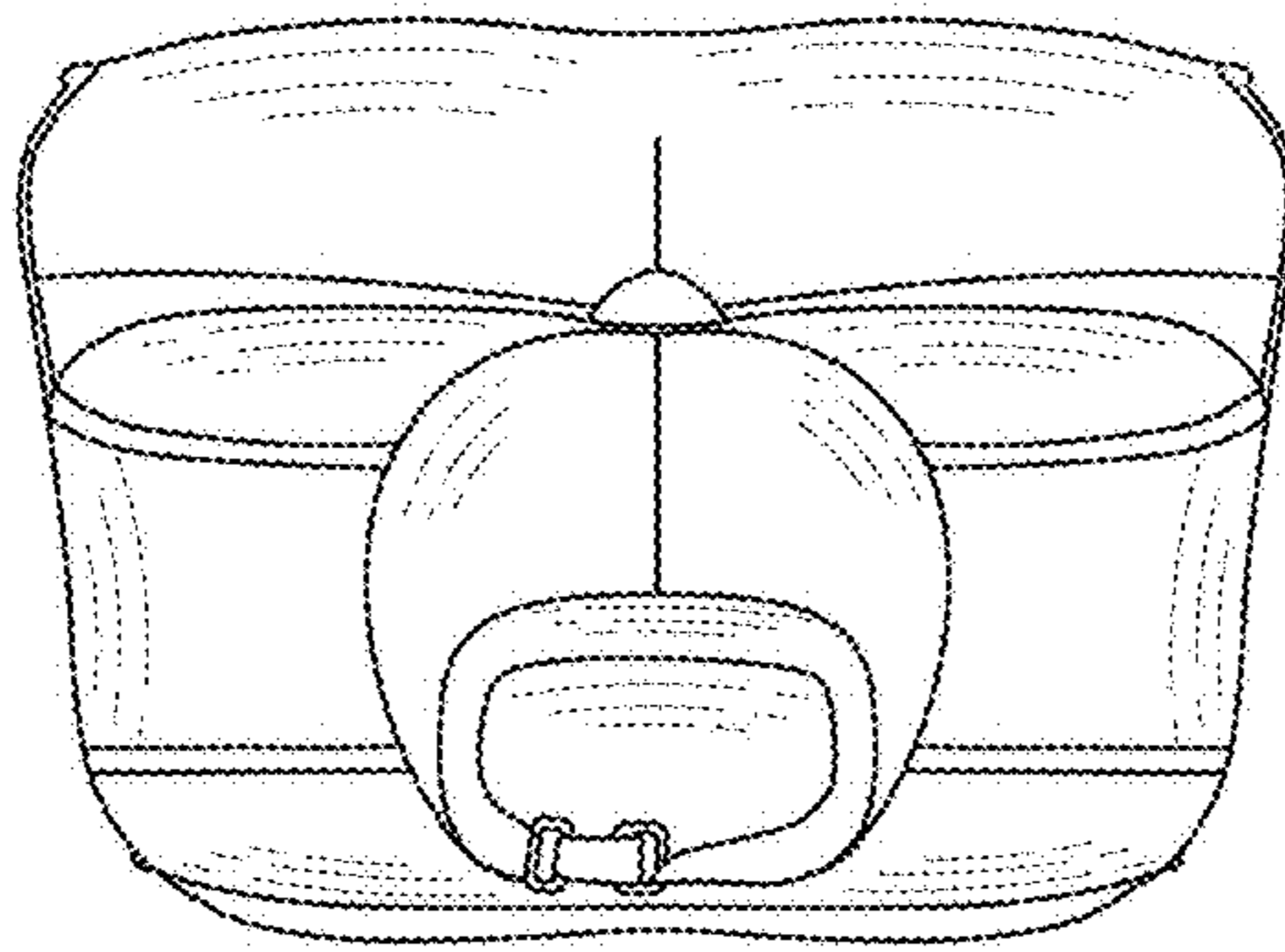


FIG. 5

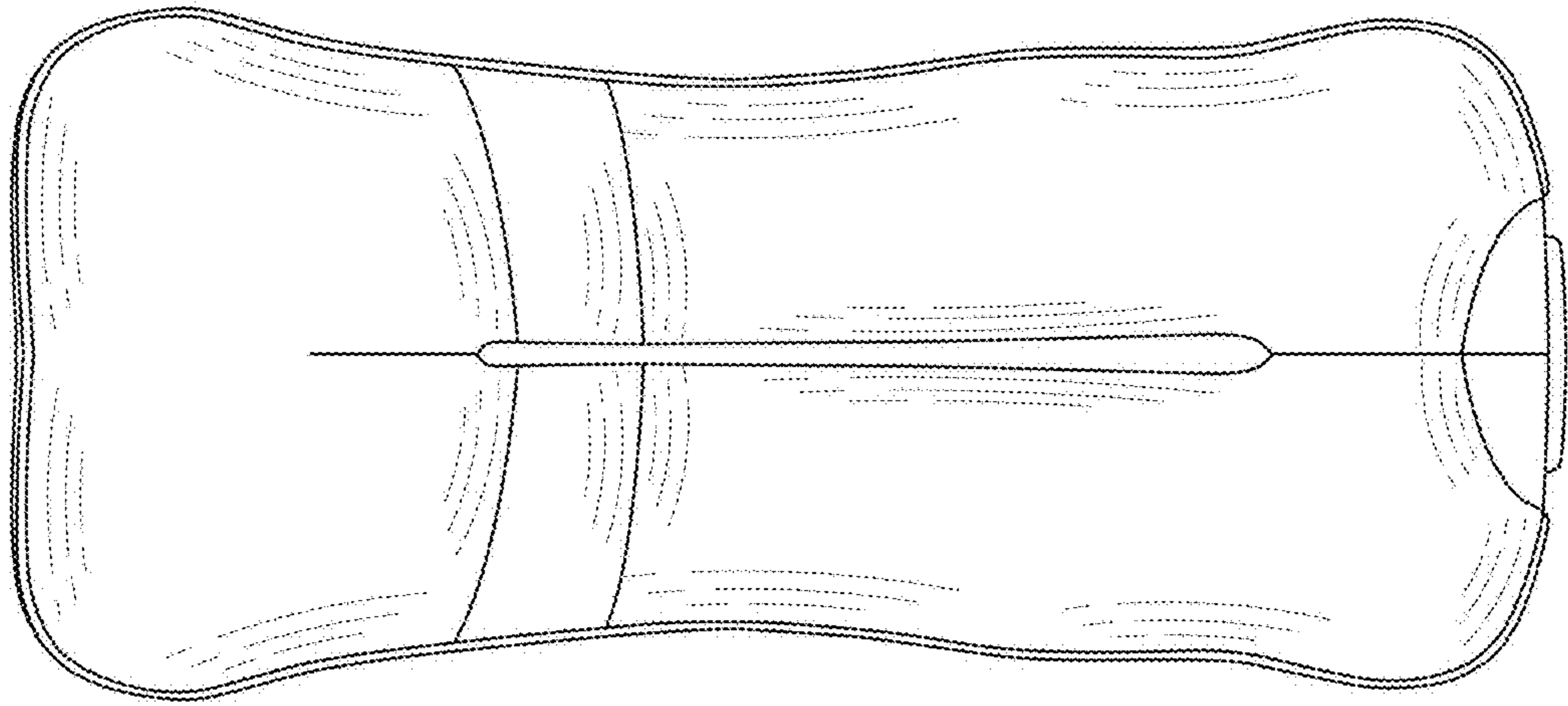


FIG. 6

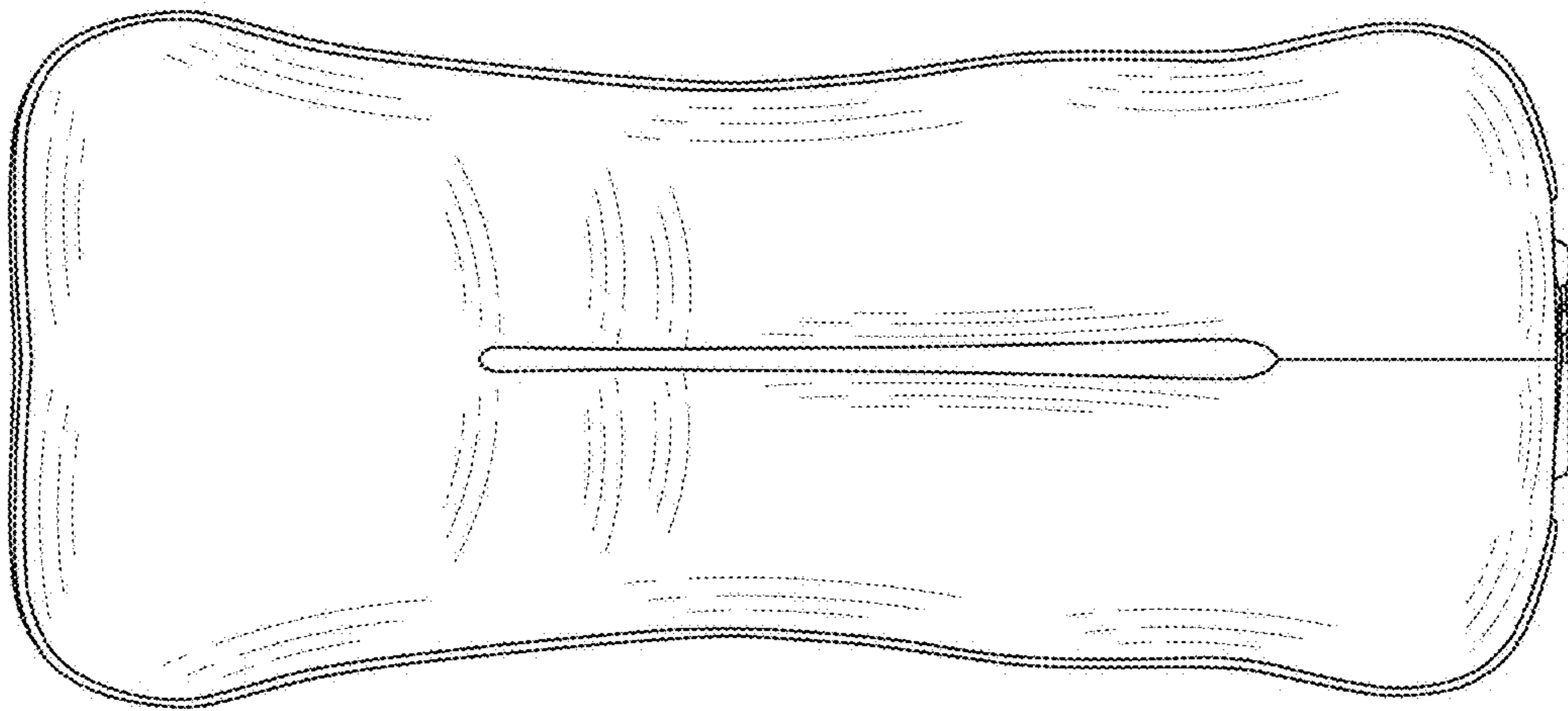


FIG. 7