



US00D903347S

(12) **United States Design Patent** (10) **Patent No.:** **US D903,347 S**
Leng (45) **Date of Patent:** **** Dec. 1, 2020**

(54) **FOLDING TABLE**
(71) Applicant: **NEW-TEC INTEGRATION**
(XIAMEN) CO., LTD., Xiamen (CN)
(72) Inventor: **Luhao Leng**, Xiamen (CN)
(73) Assignee: **NEW-TEC INTEGRATION**
(XIAMEN) CO., LTD., Xiamen (CN)

4,653,804 A * 3/1987 Yoo A47B 3/14
108/160
D354,867 S * 1/1995 Lee D6/334
D423,238 S * 4/2000 O'Brien D6/337
D426,963 S * 6/2000 Addleman D6/337
(Continued)

(**) Term: **15 Years**
(21) Appl. No.: **29/681,734**

FOREIGN PATENT DOCUMENTS

EM 006269387-0001 * 2/2019
JP D1643238 * 2/2019

(22) Filed: **Feb. 27, 2019**
(30) **Foreign Application Priority Data**

OTHER PUBLICATIONS

Innovative and Sturdy Your Zone Folding Kid's Activity Table [online], [site visited Jul. 22, 2020]. Available from internet, URL:<https://www.amazon.com/Innovative-Activity-Homework-Wonderful-Classroom/dp/B07QP9796G/ref=sr_1_1?dchild=1&keywords=Yzone&qid=1595420529&sr=8-1> (Year: 2019).*

Aug. 27, 2018 (CN) 2018 3 0477635

(51) **LOC (12) Cl.** **06-01**
(52) **U.S. Cl.**
USPC **D6/353**

Primary Examiner — Cynthia Ramirez
Assistant Examiner — Xavier Marti-Santos
(74) *Attorney, Agent, or Firm* — Cooper Legal Group, LLC

(58) **Field of Classification Search**
USPC D6/334, 335–337, 340, 349, 353
CPC A47C 16/00; A47C 16/02; A47C 16/03;
A47C 16/04; A47C 13/00; A47C 11/00;
A47C 12/00; A47K 17/02; A47K 17/028;
A47B 7/00; A47B 7/01; A47B 7/02
See application file for complete search history.

(57) **CLAIM**

The ornamental design for a folding table, as shown and described.

(56) **References Cited**

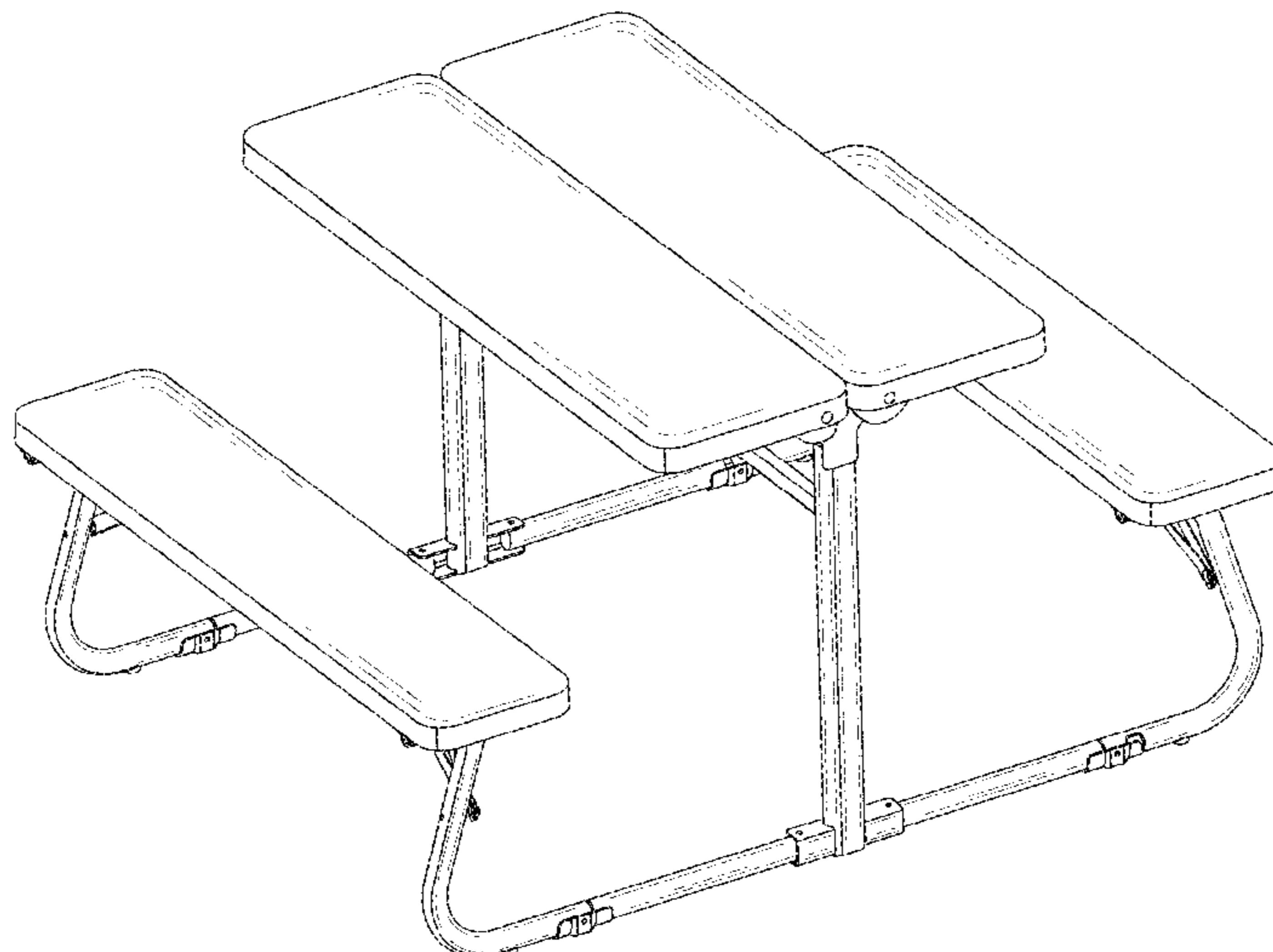
U.S. PATENT DOCUMENTS

2,506,852 A * 5/1950 Barcus A47B 85/04
297/121
2,561,703 A * 7/1951 Koenig A47C 13/00
297/121
D194,849 S * 3/1963 Grayson D6/337
3,276,815 A * 10/1966 Cardy A47B 3/14
297/158.4
D268,971 S * 5/1983 Reineman D6/337
4,382,627 A * 5/1983 Dean A47C 13/00
297/121
D273,731 S * 5/1984 Pineiro D6/337

DESCRIPTION

FIG. 1. is a left side view of a folding table showing my new design;
FIG. 2 is a right side view thereof;
FIG. 3 is a front view thereof;
FIG. 4 is a rear view thereof;
FIG. 5 is a top plan view thereof;
FIG. 6 is a bottom plan view thereof;
FIG. 7 is a perspective view thereof;
FIG. 8 is another perspective view thereof, showing half folded position; and,
FIG. 9 is another perspective view thereof, showing fully folded position.

1 Claim, 9 Drawing Sheets



(56)

References Cited

U.S. PATENT DOCUMENTS

6,186,590	B1 *	2/2001	Tseng	A47B 3/14 297/108
D442,788	S *	5/2001	Nye	D6/337
6,347,831	B1 *	2/2002	Nye	A47B 3/14 297/118
D463,919	S *	10/2002	Lee	D6/337
6,644,734	B1 *	11/2003	Tseng	A47B 3/14 297/158.4
7,226,125	B2 *	6/2007	Frobose	A47B 3/14 297/158.4
7,429,077	B2 *	9/2008	Yul	A47B 3/14 108/11
7,681,946	B2 *	3/2010	Arias	A47B 3/14 108/115
D615,763	S *	5/2010	Radelet	D6/336
D718,541	S *	12/2014	Pedersen	D6/337
10,159,334	B1 *	12/2018	Wang	A47B 3/14
10,206,496	B1 *	2/2019	Miller	A47B 39/06
D845,011	S *	4/2019	Wang	D6/337
2020/0170401	A1 *	6/2020	Leng	A47B 3/02

* cited by examiner

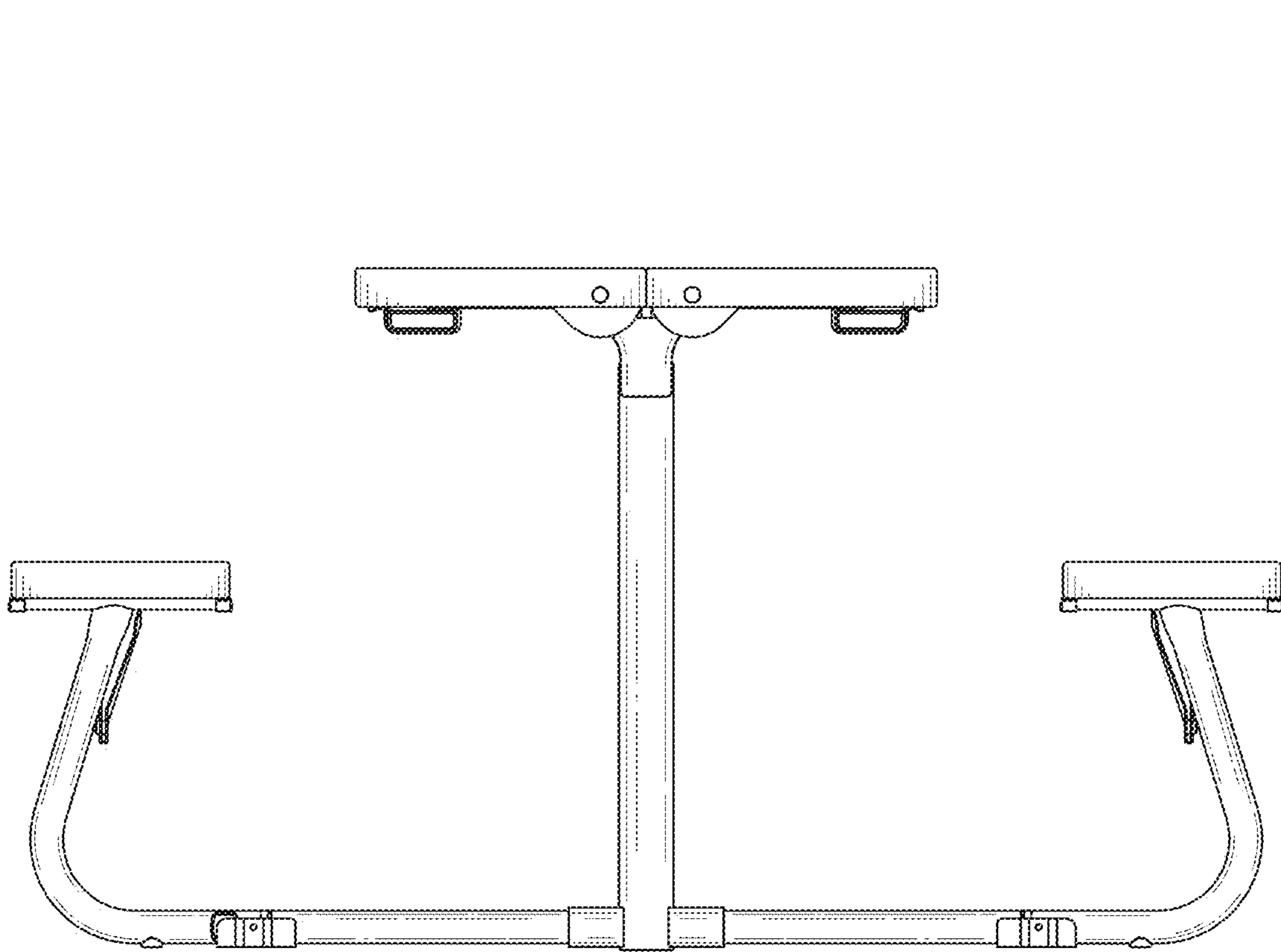


FIG. 1

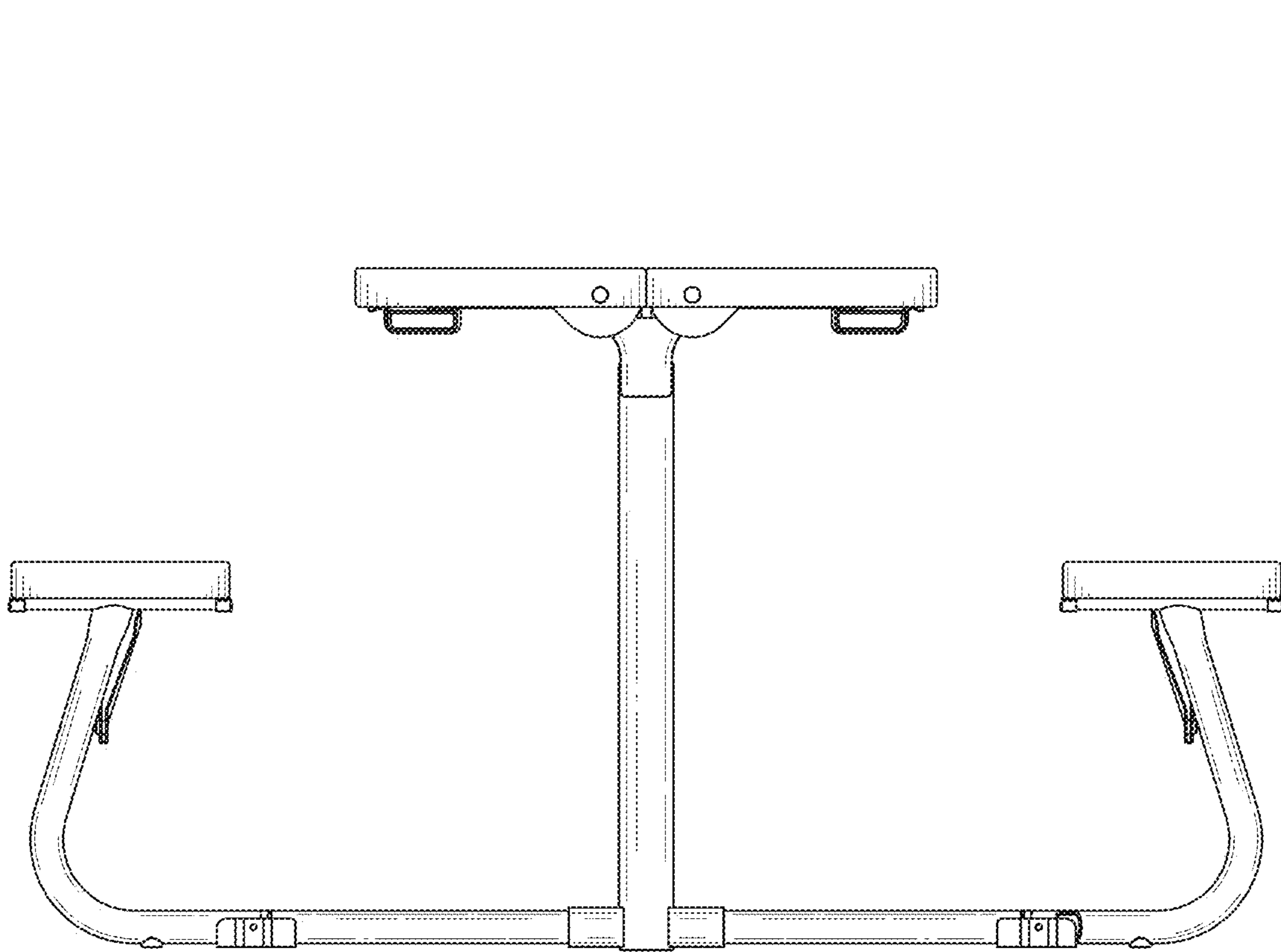


FIG. 2

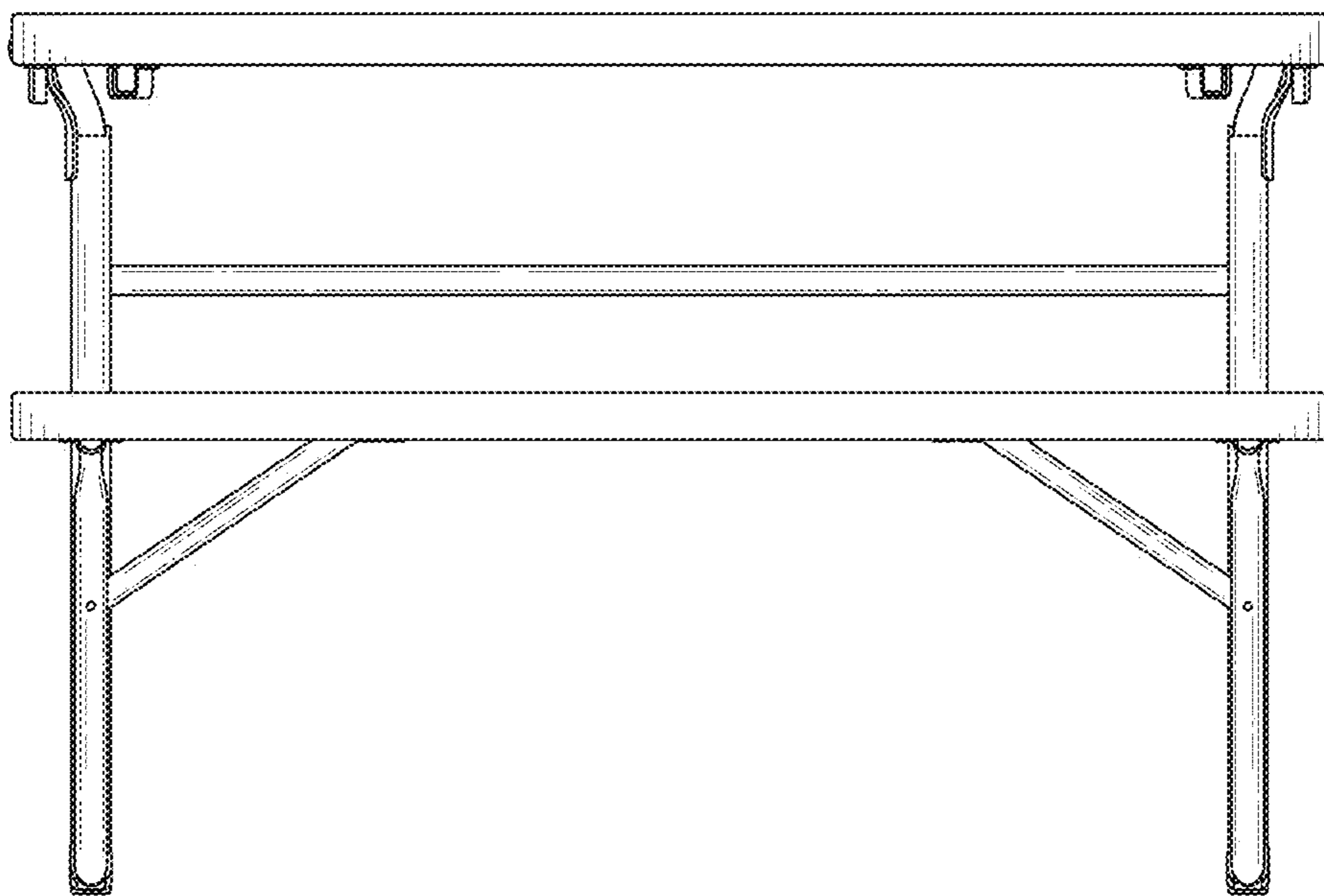


FIG. 3

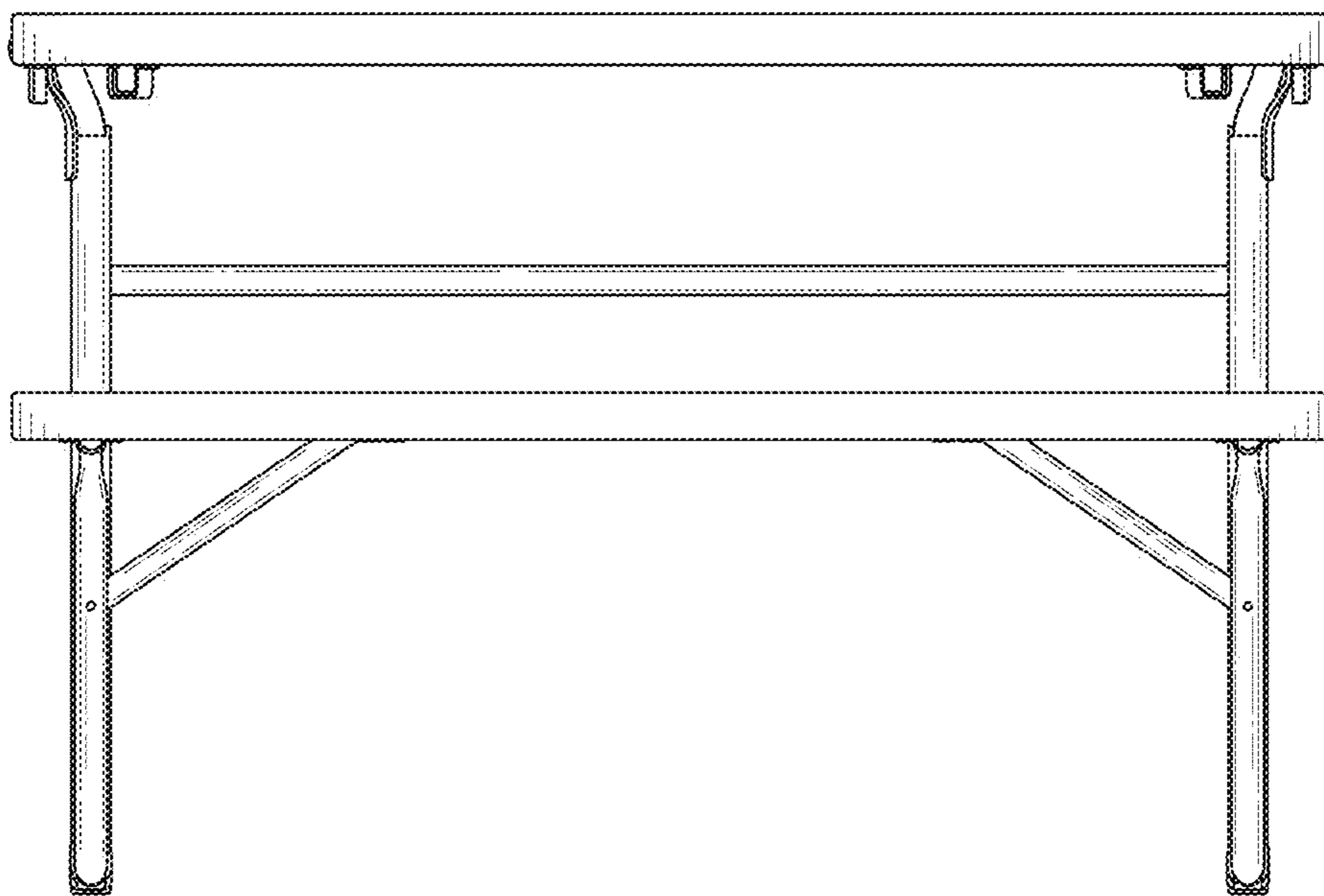


FIG. 4

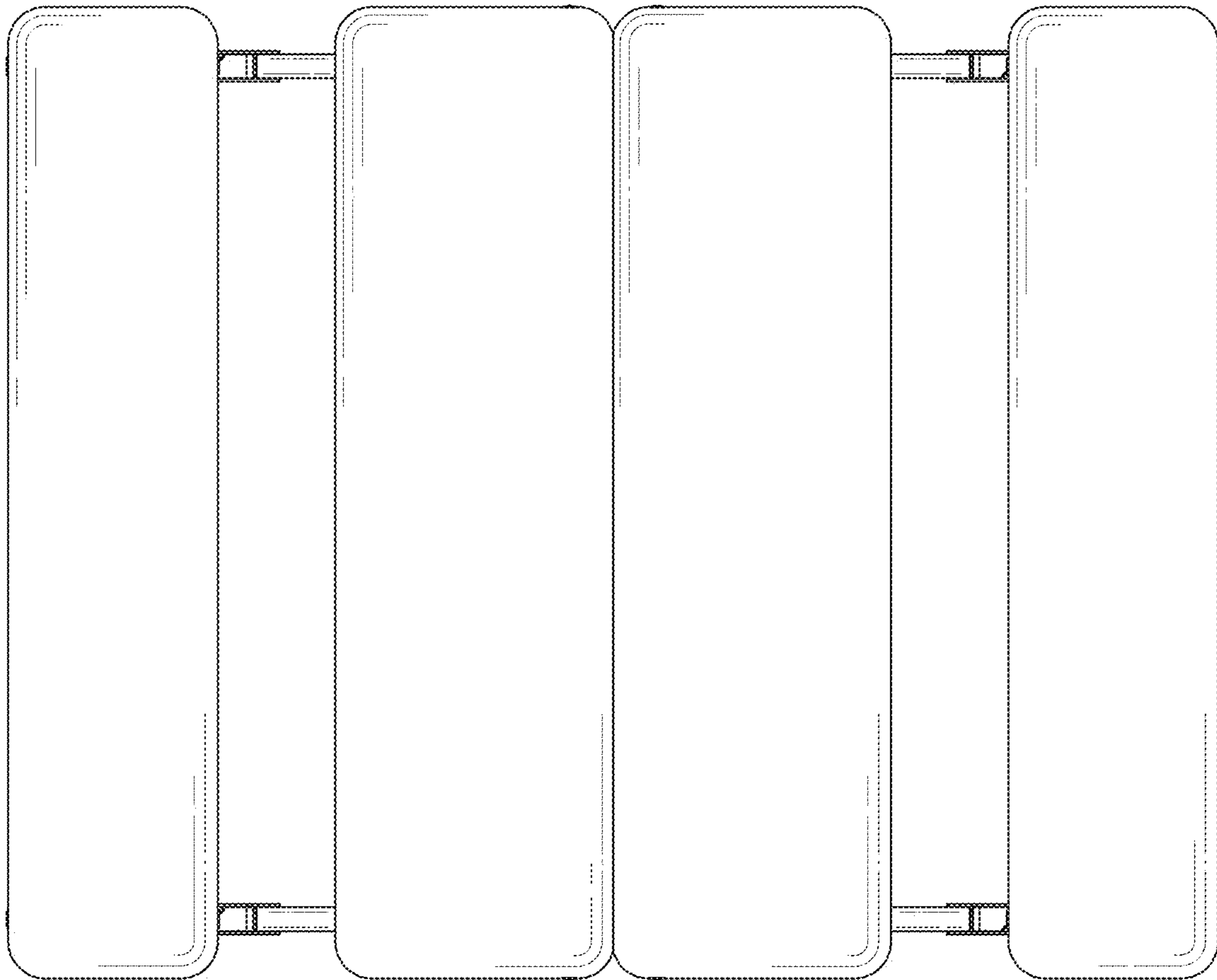


FIG. 5

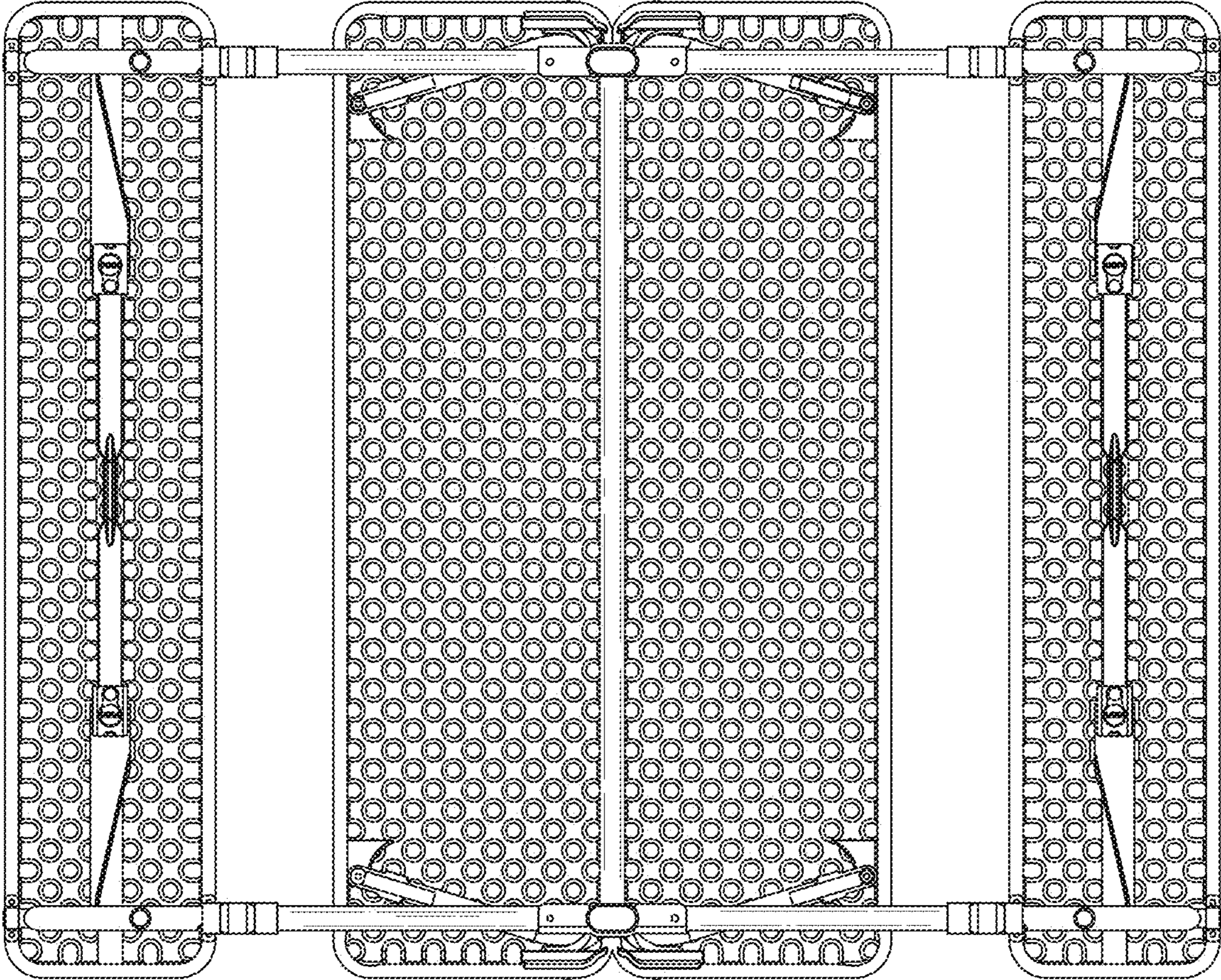


FIG. 6

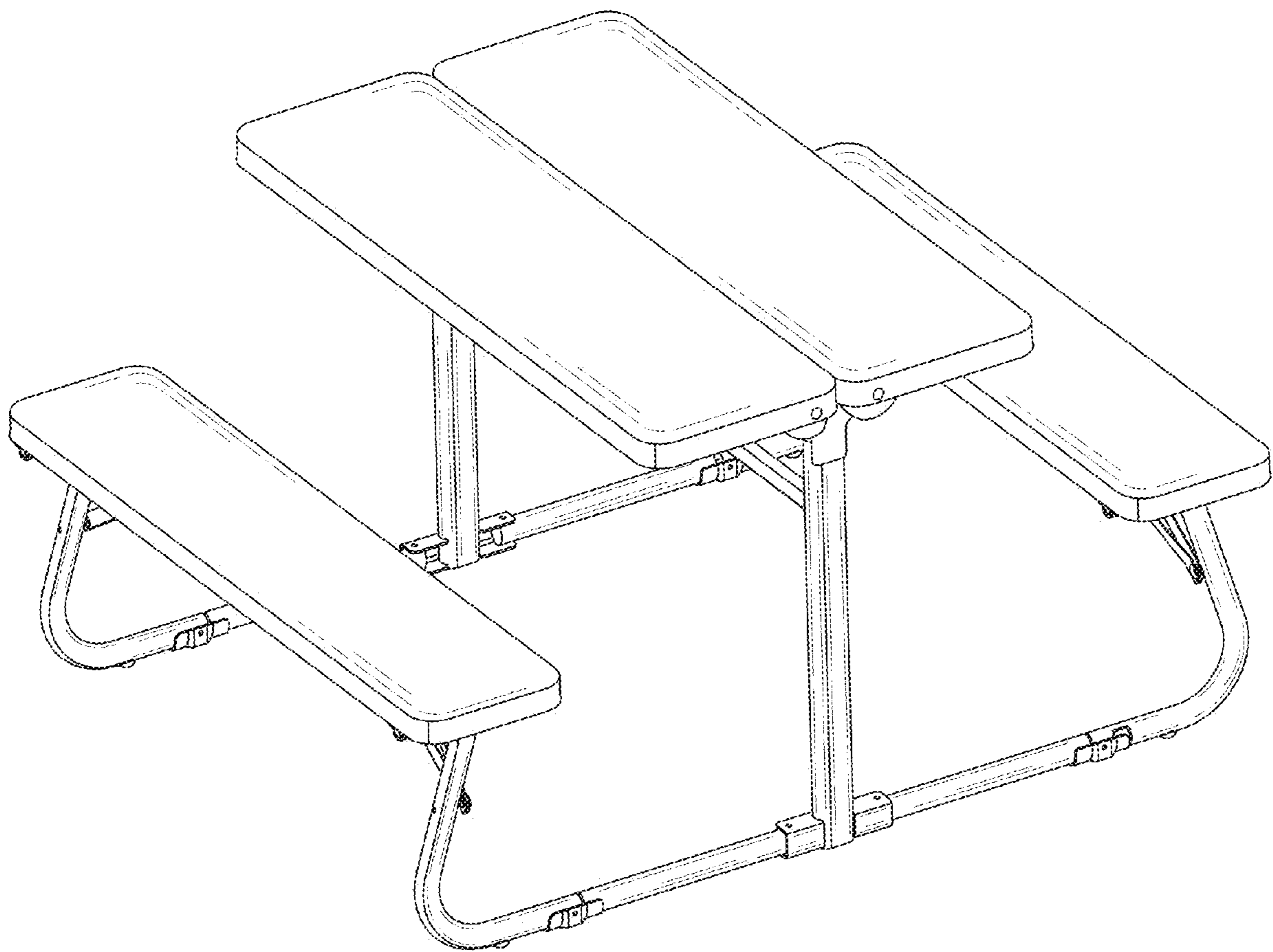


FIG. 7

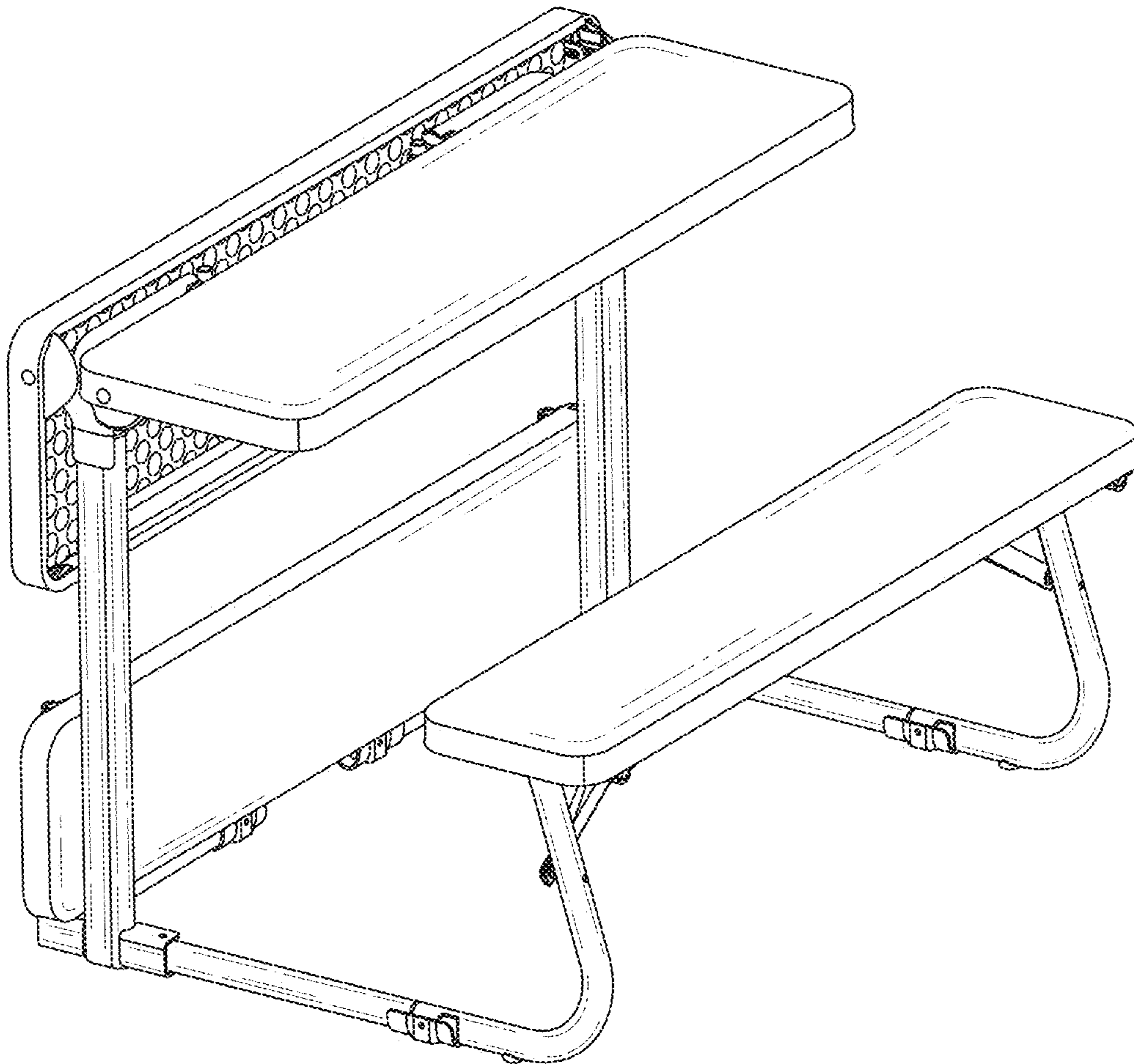


FIG. 8

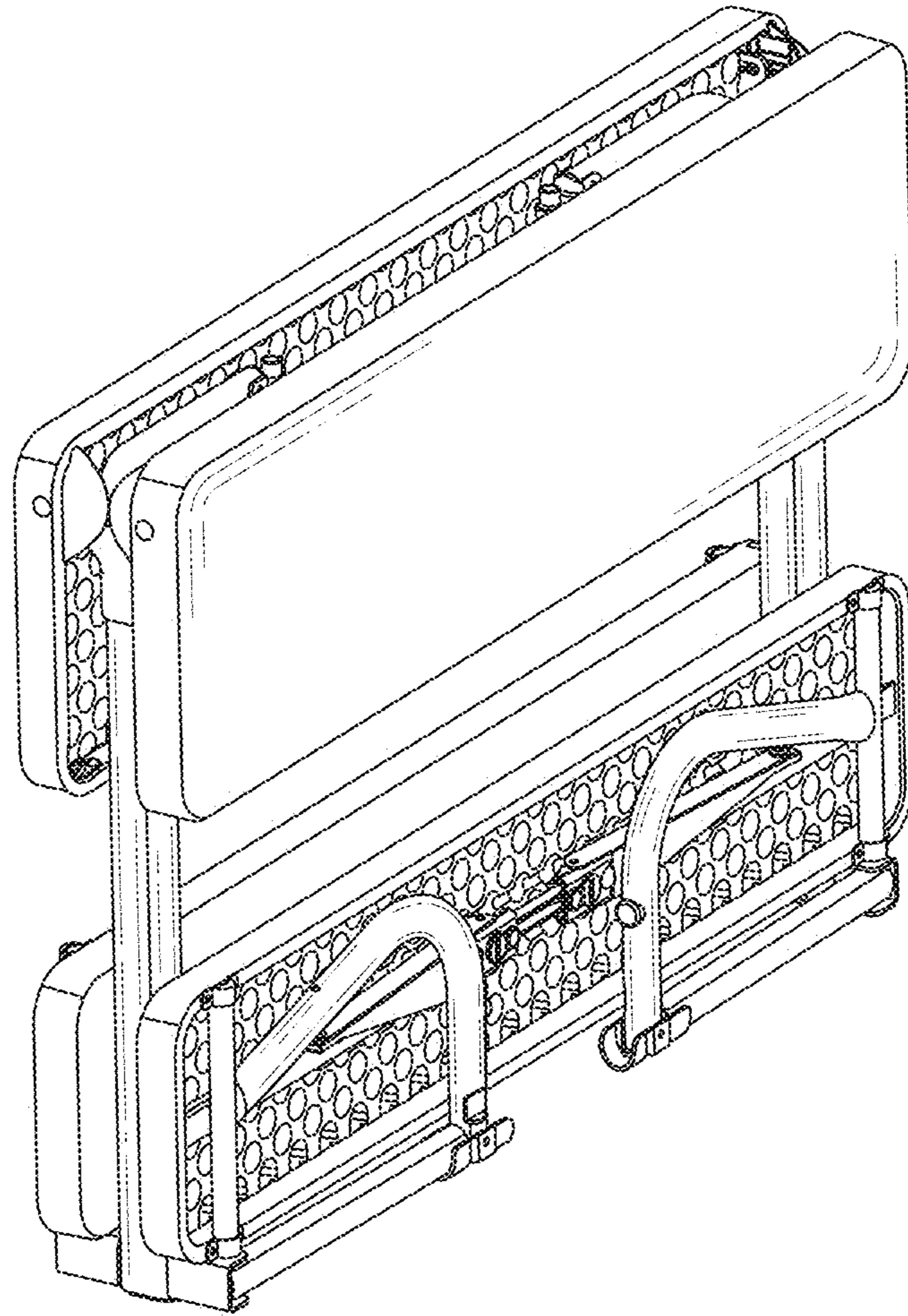


FIG. 9