



US00D903345S

(12) **United States Design Patent**  
**Chen**

(10) **Patent No.:** **US D903,345 S**

(45) **Date of Patent:** **\*\* Dec. 1, 2020**

(54) **FOLDING CHAIR WITH DETACHABLE TABLE**

(71) Applicant: **Xiamen Easepal Enterprises Co., Ltd.**, Xiamen (CN)

(72) Inventor: **Zhixiong Chen**, Xiamen (CN)

(73) Assignee: **Xiamen Easepal Enterprises Co., Ltd.**, Xiamen (CN)

(\*\*) Term: **15 Years**

(21) Appl. No.: **29/737,656**

(22) Filed: **Jun. 10, 2020**

(51) **LOC (12) Cl.** ..... **06-01**

(52) **U.S. Cl.**  
USPC ..... **D6/335**; D6/353; D6/360; D6/368

(58) **Field of Classification Search**  
USPC ..... D6/334, 335, 360, 361, 353, 368, 686,  
D6/691.6  
CPC .... A47C 5/10; A47C 4/28; A47C 1/14; A47C  
1/143  
See application file for complete search history.

(56) **References Cited**

**U.S. PATENT DOCUMENTS**

D100,222 S *	6/1936	Morgan	.....	D6/361
2,096,237 A *	10/1937	Frey	.....	A47C 4/283 297/45
2,727,564 A *	12/1955	Gruber	.....	A47C 5/04 108/91
D176,521 S *	1/1956	Jones	.....	D6/361
D184,151 S	12/1958	Schneider		
D224,859 S *	10/1972	Leitch et al.	.....	D6/335
D251,044 S *	2/1979	Persson	.....	D6/368
D251,639 S *	4/1979	Colby	.....	D6/353
D260,705 S	9/1981	Zamora		

D312,735 S *	12/1990	Hoffmann	.....	D6/335
D413,735 S *	9/1999	Tseng	.....	D6/361
D555,950 S	11/2007	Hart		
D593,759 S *	6/2009	Oliphant	.....	A47C 4/286 D6/335
D639,577 S *	6/2011	Tseng	.....	D6/368
D667,648 S *	9/2012	Le Gal	.....	D6/361
D672,161 S *	12/2012	McDowell	.....	D6/368
D691,821 S *	10/2013	Mercieca	.....	D6/368
D805,337 S *	12/2017	Oliphant	.....	D6/716.4
D805,825 S *	12/2017	Oliphant	.....	D6/716.1
D814,204 S *	4/2018	Bova	.....	D6/361
D815,448 S *	4/2018	Jin	.....	D6/368
D820,020 S *	6/2018	Oliphant	.....	D6/716.4
D831,366 S *	10/2018	Jin	.....	D6/368
D855,343 S *	8/2019	Haingaertner	.....	D6/368
D860,572 S *	9/2019	Zhu	.....	D34/14
D890,538 S *	7/2020	Weldon	.....	D6/368

\* cited by examiner

*Primary Examiner* — Deanna L Pratt

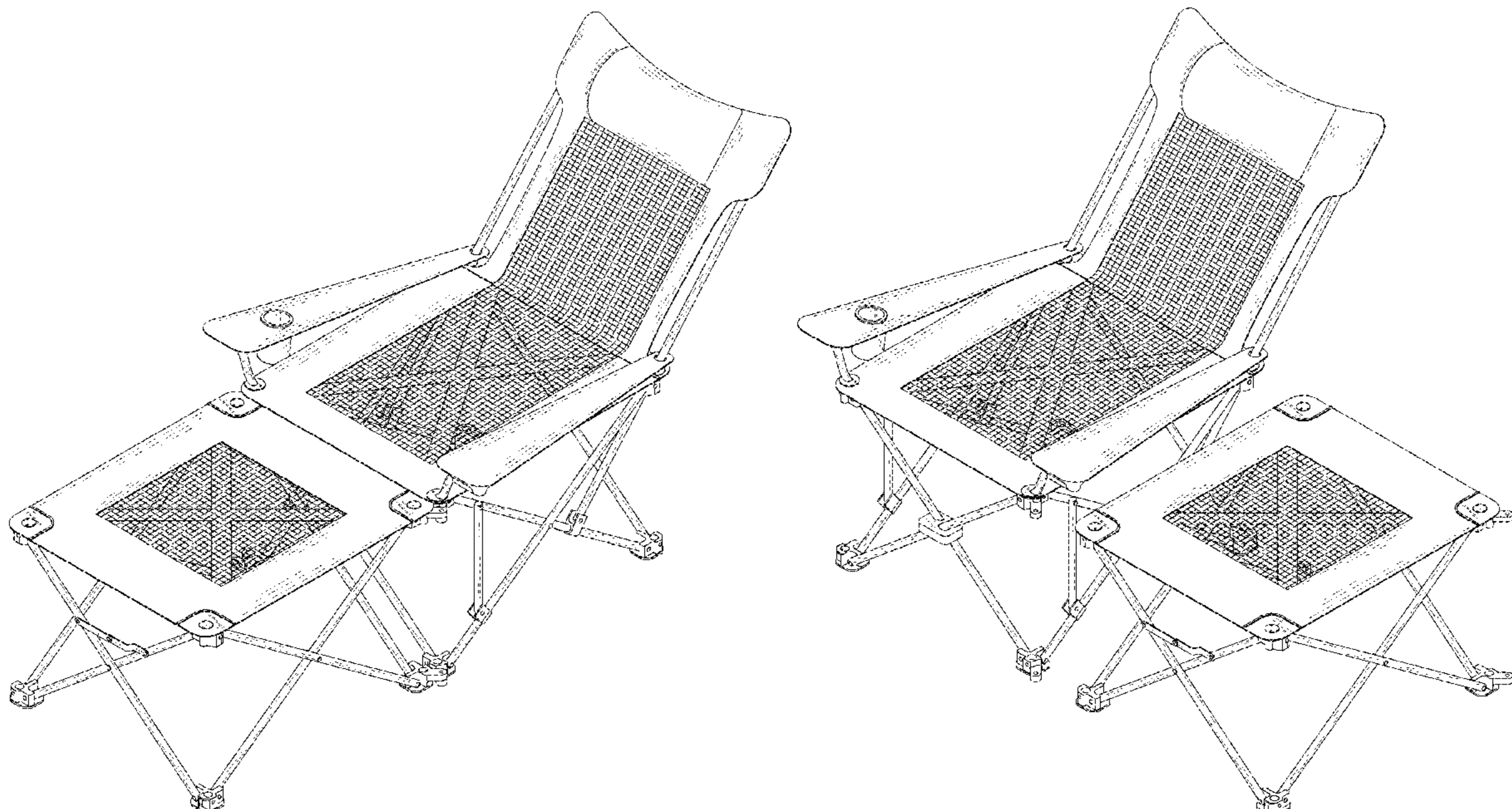
(57) **CLAIM**

The ornamental design for a folding chair with detachable table, as shown and described.

**DESCRIPTION**

FIG. 1 is a top perspective view of a folding chair with detachable table showing my new design; FIG. 2 is another perspective view thereof; FIG. 3 is a front view thereof; FIG. 4 is a rear view thereof; FIG. 5 is a left side view thereof; FIG. 6 is a right side view thereof; FIG. 7 is a top plan view thereof; and, FIG. 8 is a bottom plan view thereof. The broken lines in the drawing depict environmental subject matter only and form no part of the claimed design.

**1 Claim, 8 Drawing Sheets**



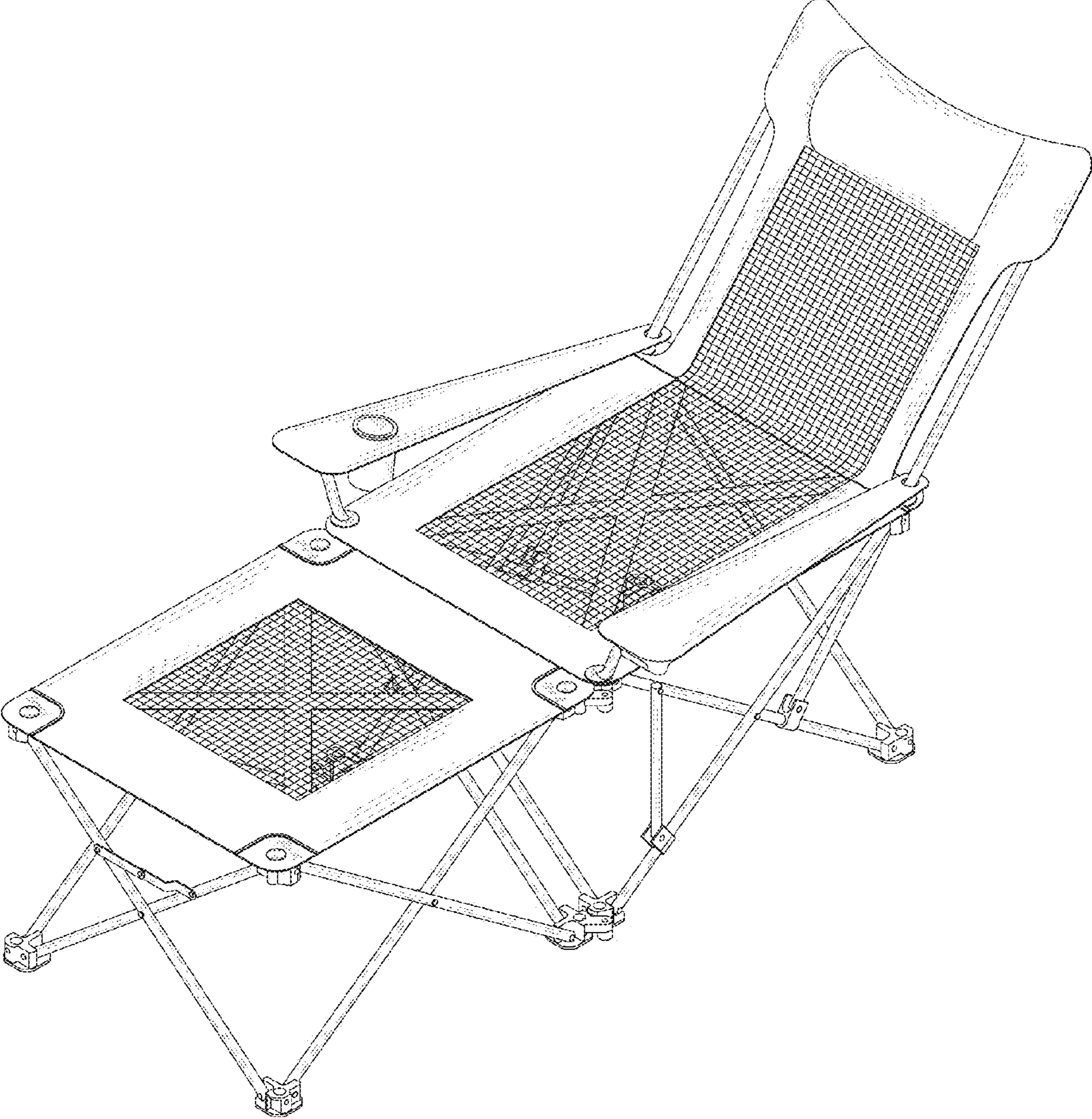


FIG. 1

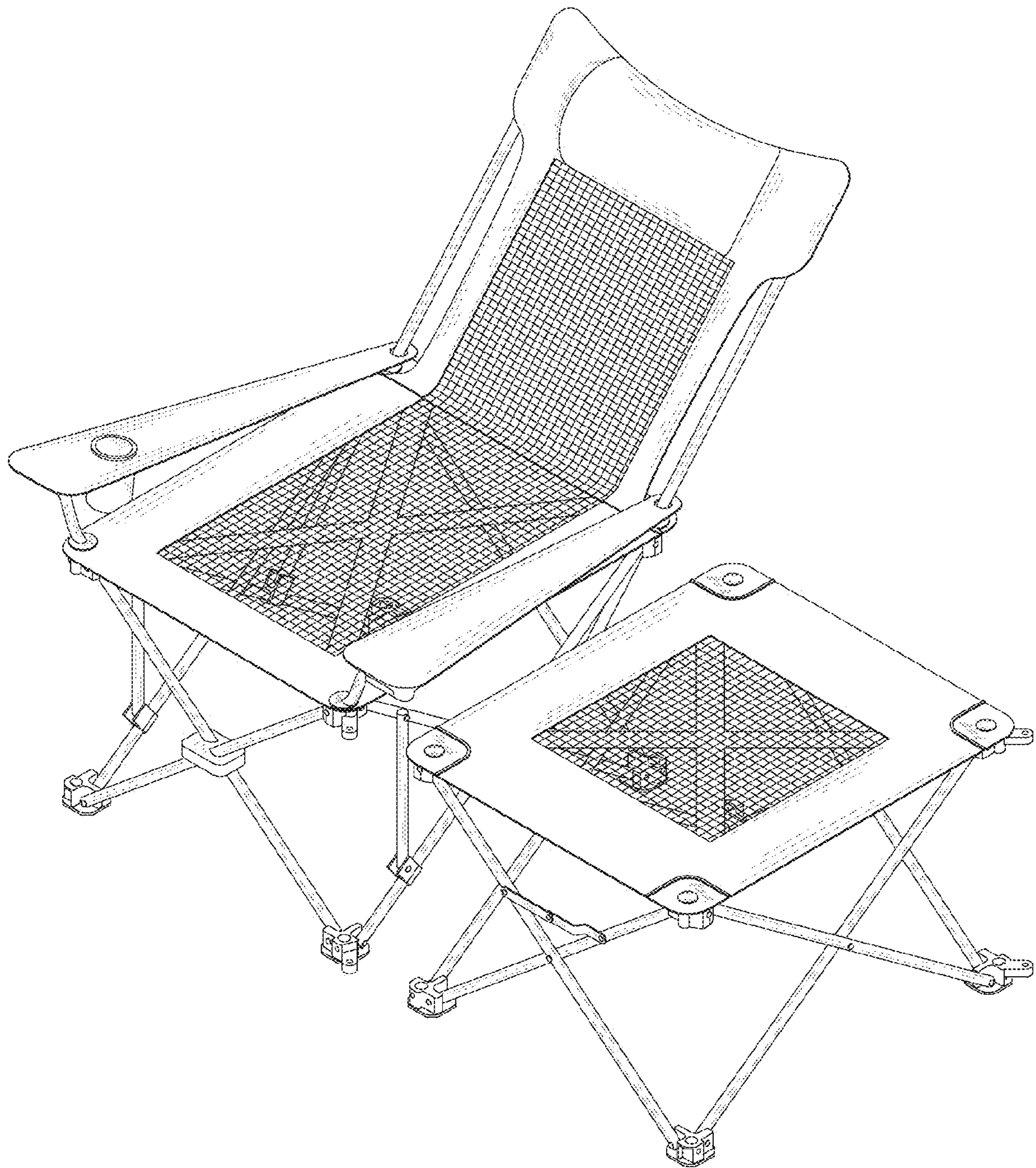


FIG.2

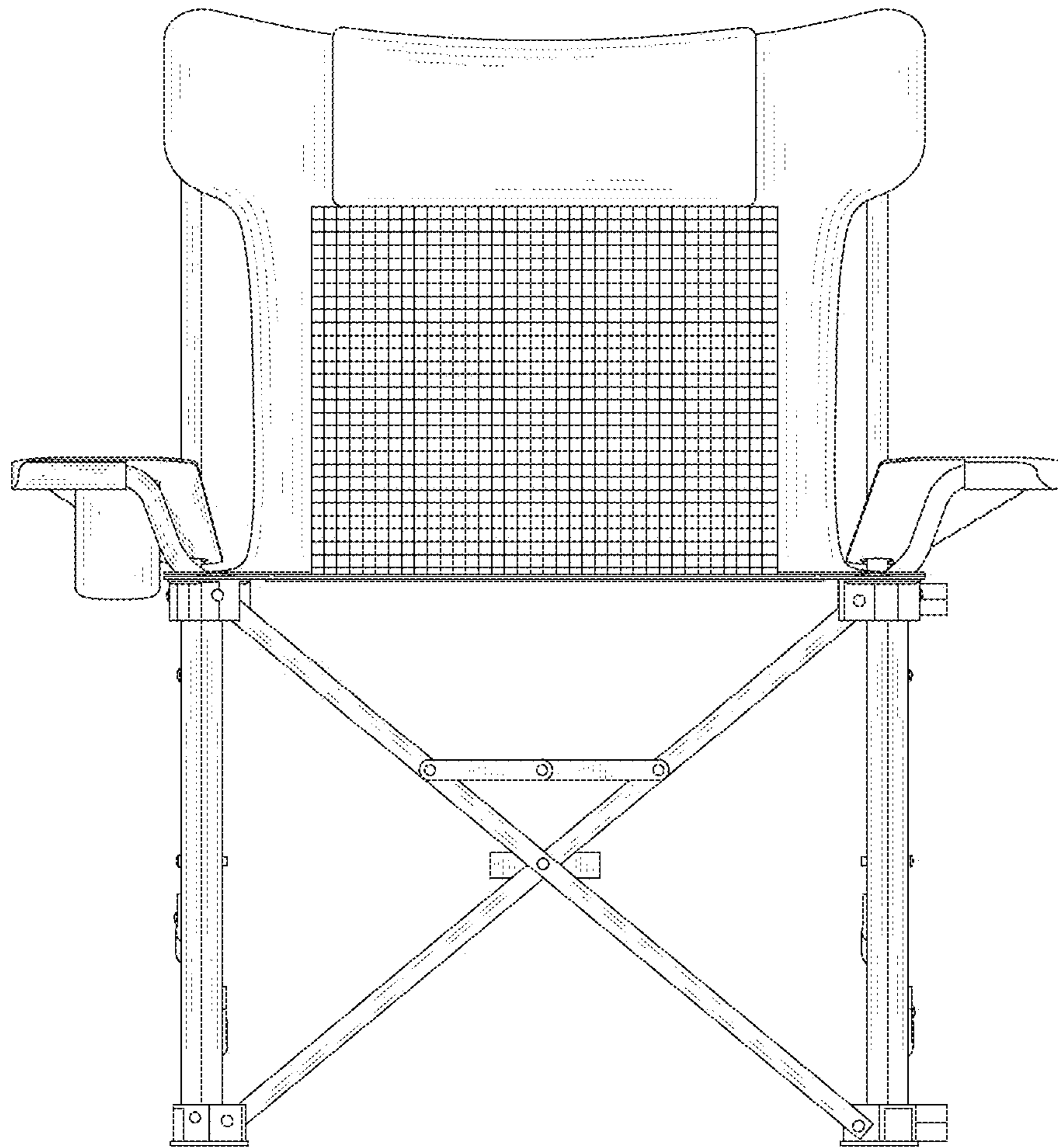


FIG. 3

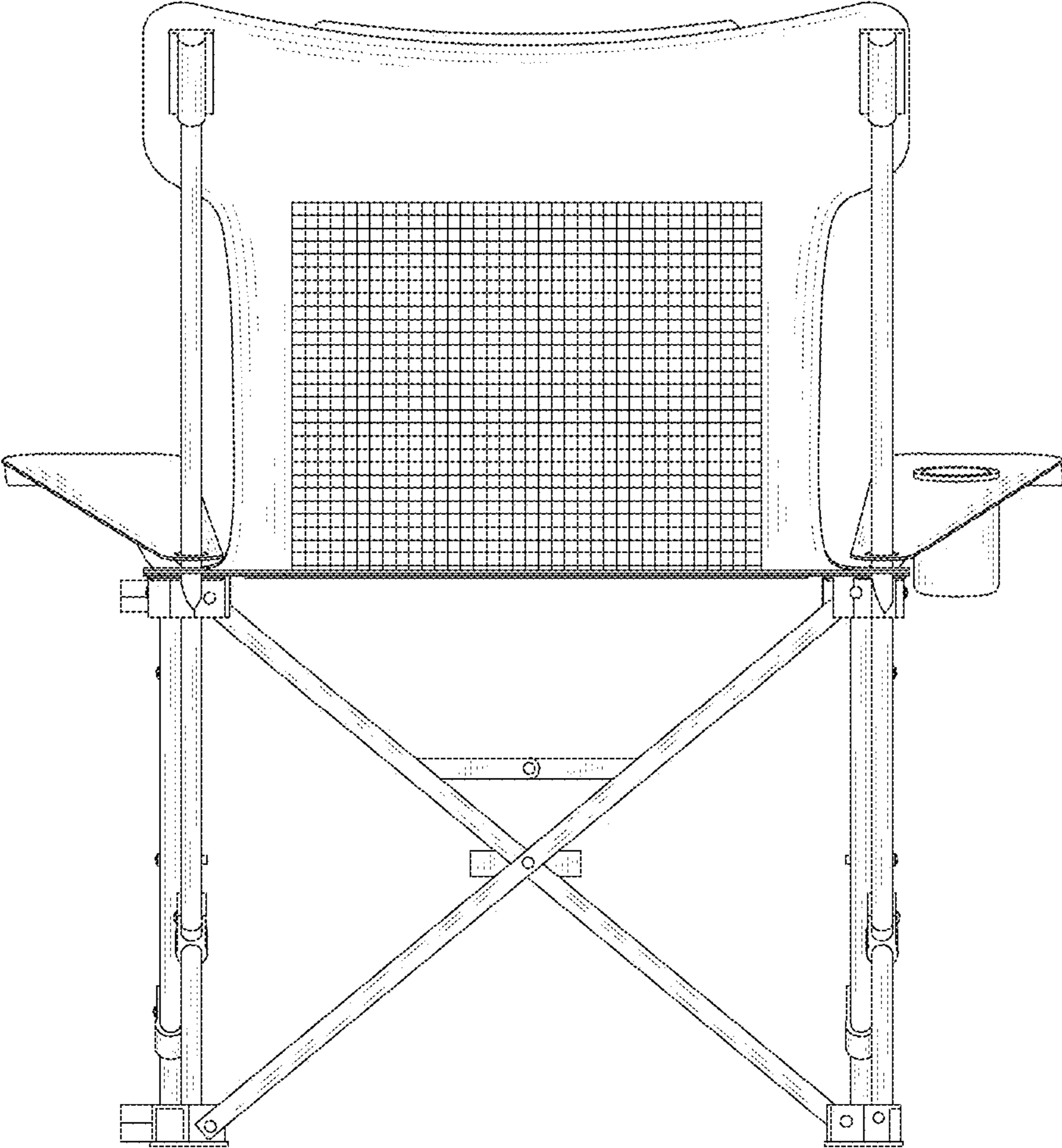


FIG. 4

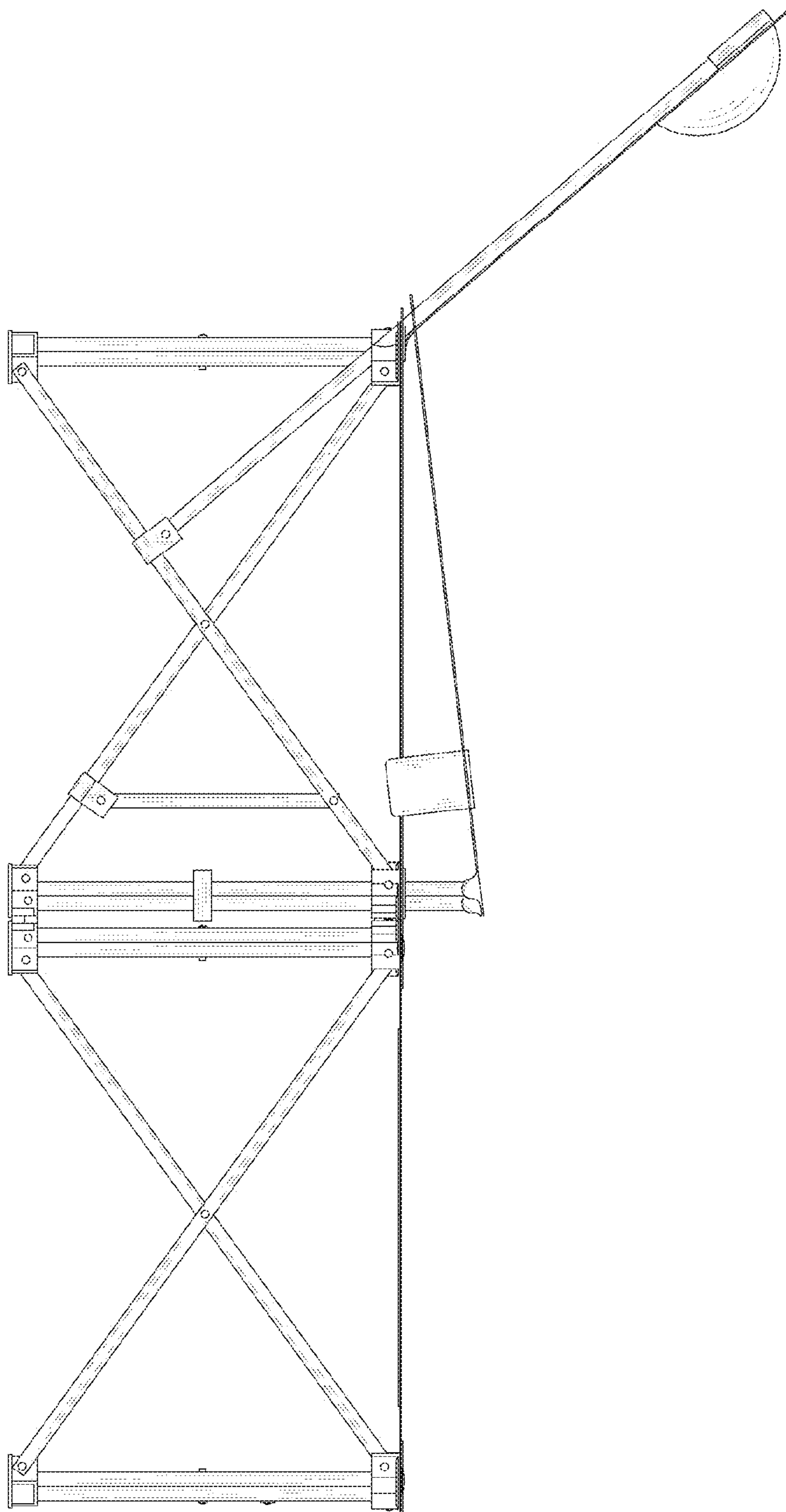


FIG. 5

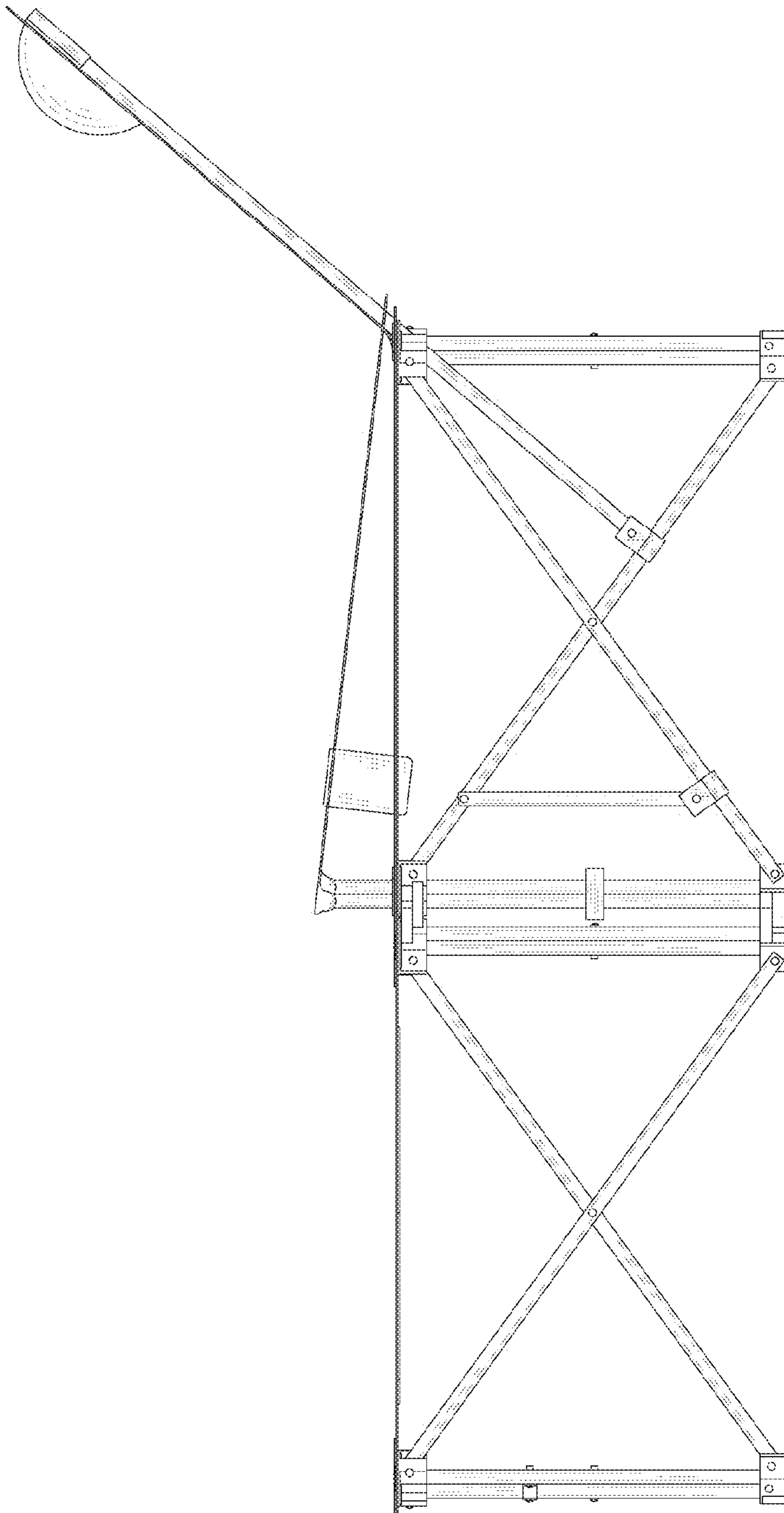


FIG. 6

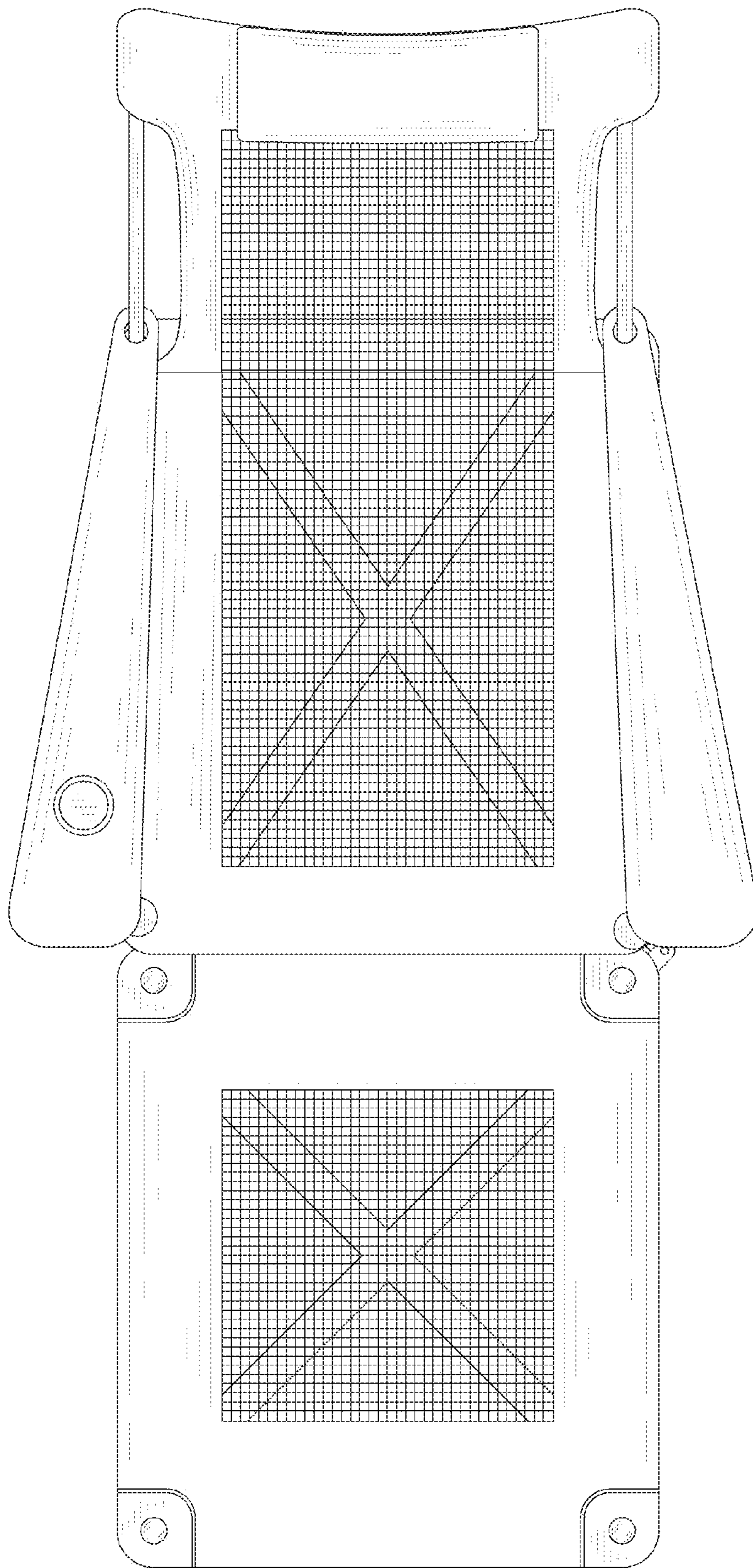


FIG. 7



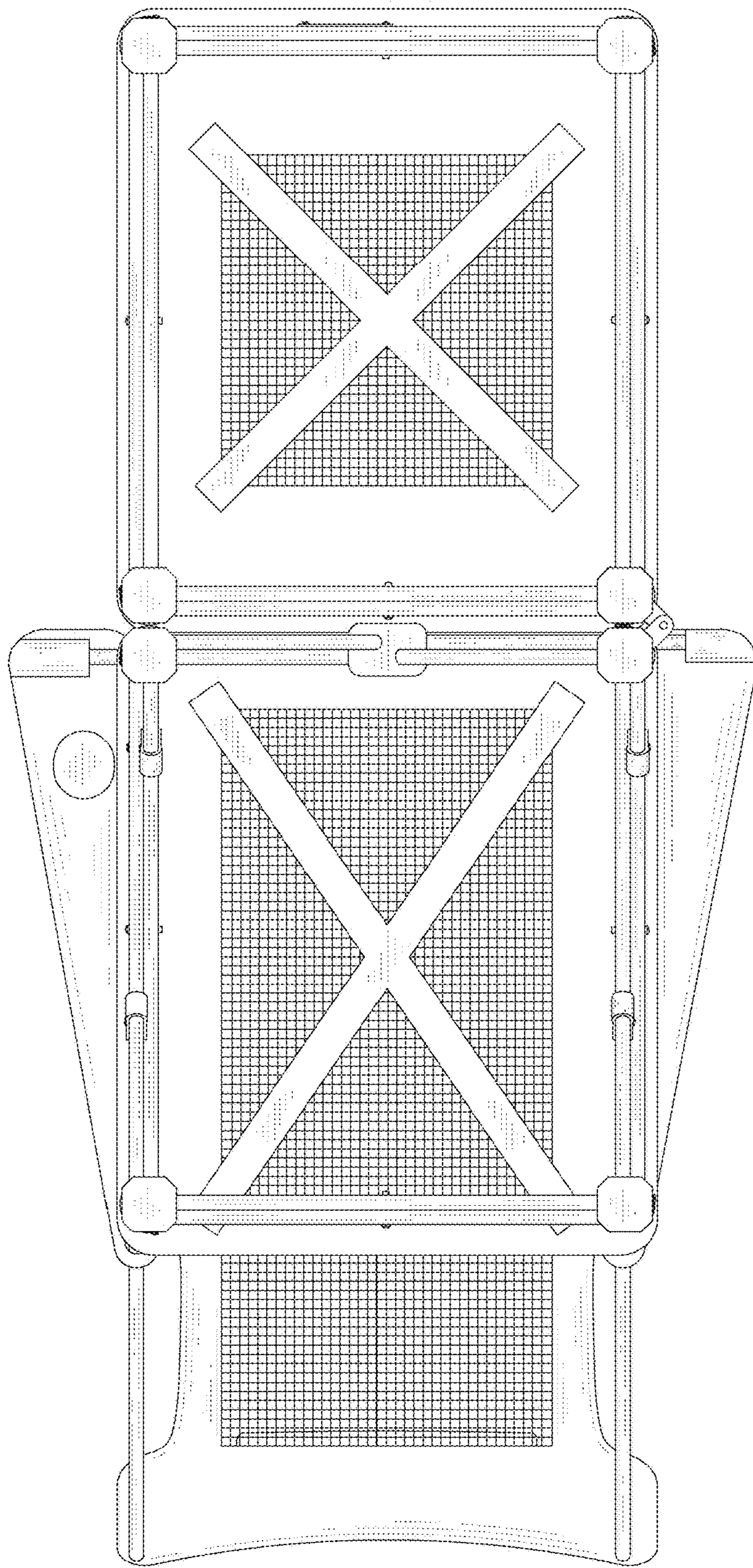


FIG. 8