

US00D903344S

(12) **United States Design Patent**
Uezu

(10) **Patent No.:** **US D903,344 S**
(45) **Date of Patent:** **** Dec. 1, 2020**

- (54) **BENCH**
- (71) Applicant: **Tachigami Iron Works Co., Ltd.**,
Tomigusuku (JP)
- (72) Inventor: **Masanao Uezu**, Tomigusuku (JP)
- (73) Assignee: **TACHIGAMI IRON WORKS CO., LTD.**, Tomigusuku (JP)
- (**) Term: **15 Years**
- (21) Appl. No.: **29/684,267**
- (22) Filed: **Mar. 19, 2019**
- (30) **Foreign Application Priority Data**
Oct. 19, 2018 (JP) 2018-023036
- (51) **LOC (12) Cl.** **06-01**
- (52) **U.S. Cl.**
USPC **D6/335; D6/334**
- (58) **Field of Classification Search**
USPC D6/334, 335-337, 340, 349, 353, 389,
D6/681
CPC A47C 1/14; A47C 1/143; A47C 1/146;
A47C 11/00; A47C 13/00; A47C 13/005;
A47C 4/00; A47C 4/04; A47C 4/06;
A47C 4/18; A47C 4/30; A47C 4/32;
A47C 4/38; A47C 4/42; A47C 4/48
See application file for complete search history.

(56) **References Cited**

U.S. PATENT DOCUMENTS

- 3,007,735 A * 11/1961 Cohn A47G 9/1045
297/184.17
- D203,437 S * 1/1966 Melchior D6/349
- 4,201,416 A * 5/1980 Vanderminden A47C 7/66
297/184.15
- 4,687,249 A * 8/1987 Mills A61G 5/10
297/183.5

- 4,924,896 A * 5/1990 Carter A45B 11/00
135/117
- 5,135,281 A * 8/1992 Pappalardo A47C 7/66
135/90
- 5,586,344 A * 12/1996 Liang A47K 11/02
4/484
- 6,036,262 A * 3/2000 Shahid A47C 1/143
297/184.15

(Continued)

FOREIGN PATENT DOCUMENTS

CN 202312219 U * 7/2011

Primary Examiner — Cynthia Ramirez

Assistant Examiner — Xavier Marti-Santos

(74) *Attorney, Agent, or Firm* — Heedong Chae; Lucem, PC

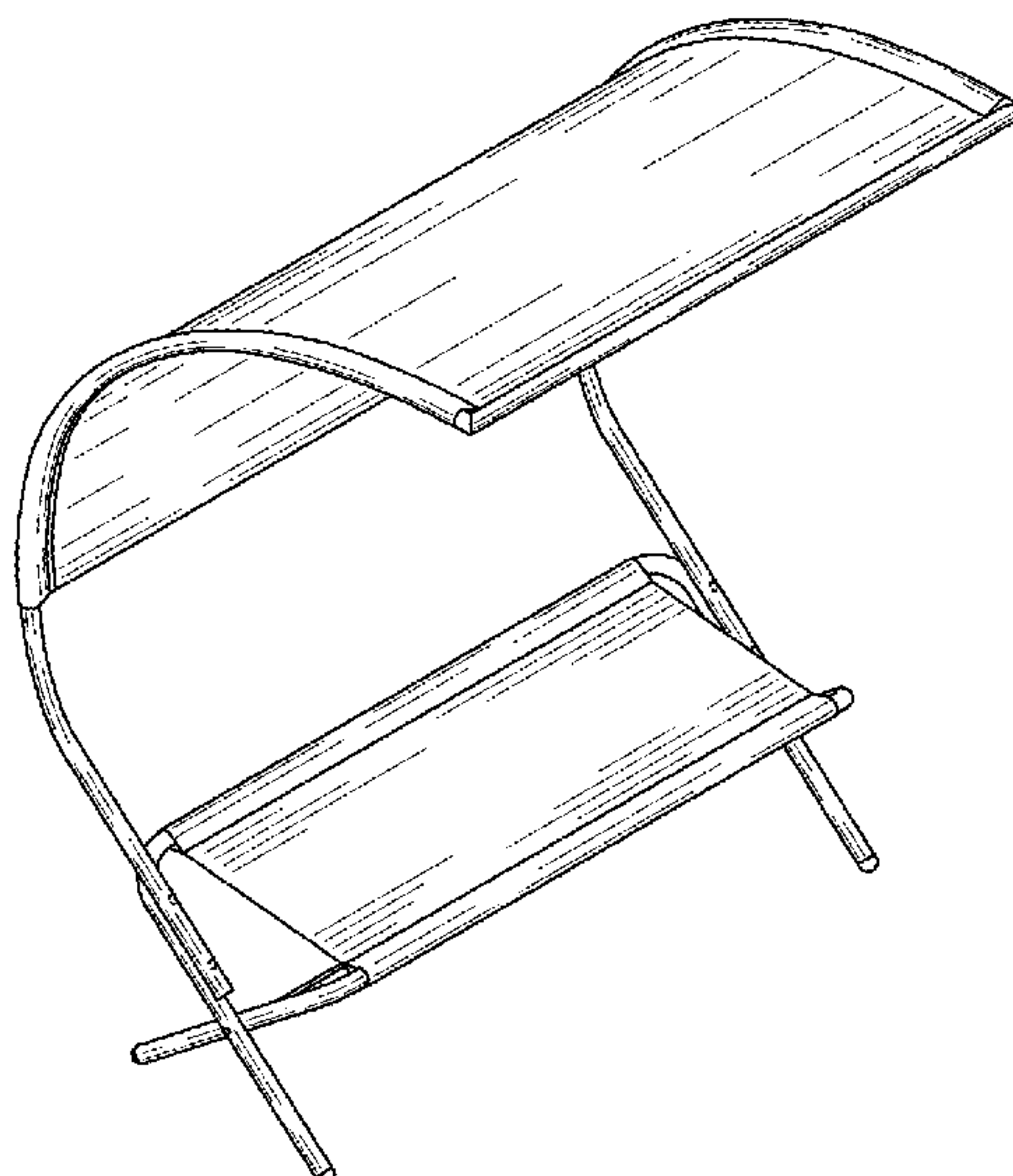
(57) **CLAIM**

The ornamental design for a bench, as shown and described.

DESCRIPTION

FIG. 1 is a front elevational view of the bench showing my new design;
 FIG. 2 is a rear elevational view thereof;
 FIG. 3 is a right side elevational view thereof;
 FIG. 4 is a top plan view thereof;
 FIG. 5 is a bottom view thereof;
 FIG. 6 is a cross-sectional view thereof taken along the line 6-6 in FIG. 1;
 FIG. 7 is a front perspective view thereof;
 FIG. 8 is a rear perspective view thereof;
 FIG. 9 is a perspective view thereof in an environment of use;
 FIG. 10 is a perspective view thereof in an environment of use; and,
 FIG. 11 is a perspective view thereof in an environment of use.
 The broken lines in the figures are to show environment and form no part of the claimed design.

1 Claim, 11 Drawing Sheets



(56)

References Cited

U.S. PATENT DOCUMENTS

6,247,749 B1 * 6/2001 Yu A47C 4/286
297/16.2
D494,769 S * 8/2004 Vigneaud D6/368
D530,931 S * 10/2006 Gilbert D6/353
7,350,856 B1 * 4/2008 Tseng A47C 7/407
297/44

* cited by examiner

FIG. 1

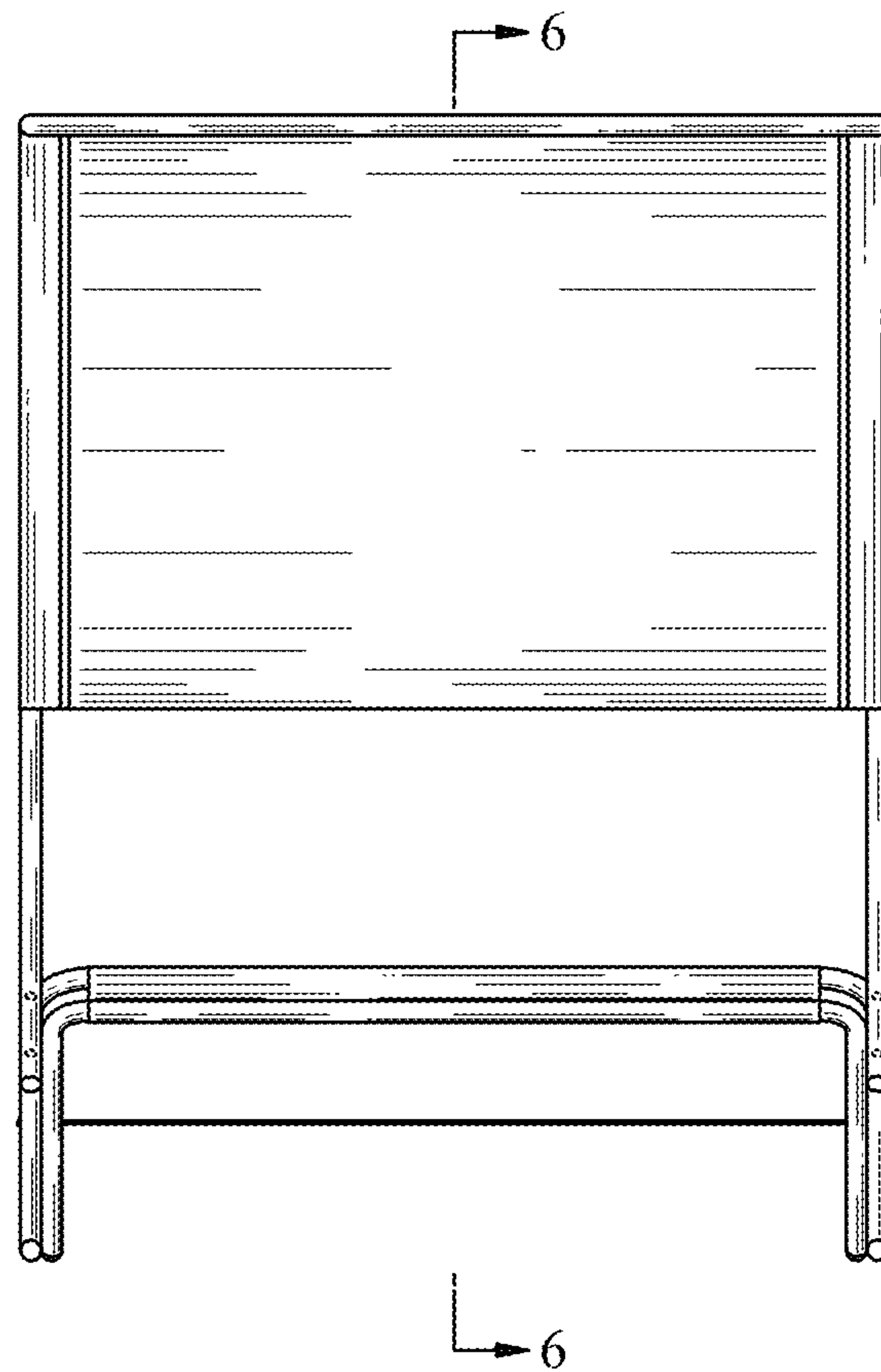


FIG. 2

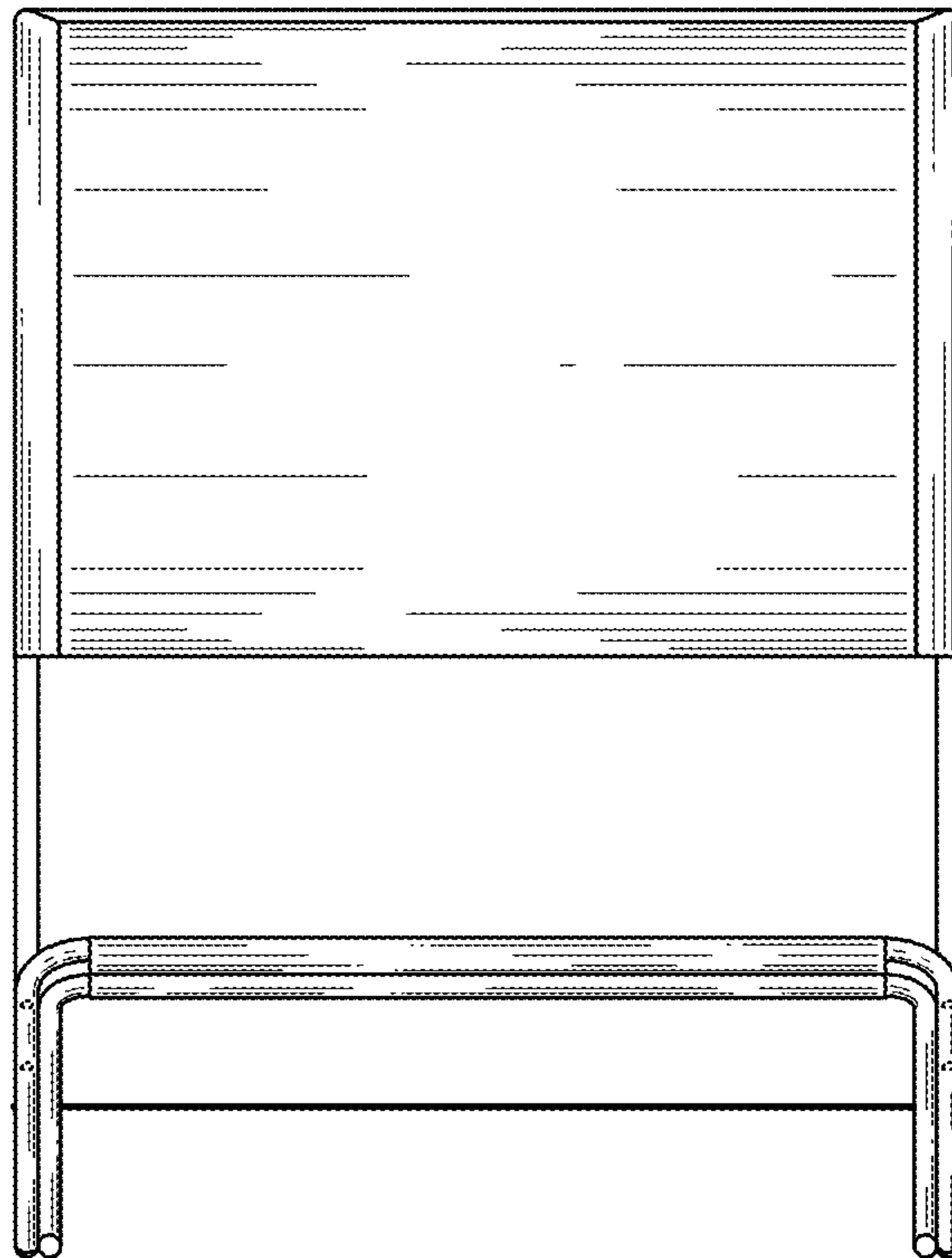


FIG. 3

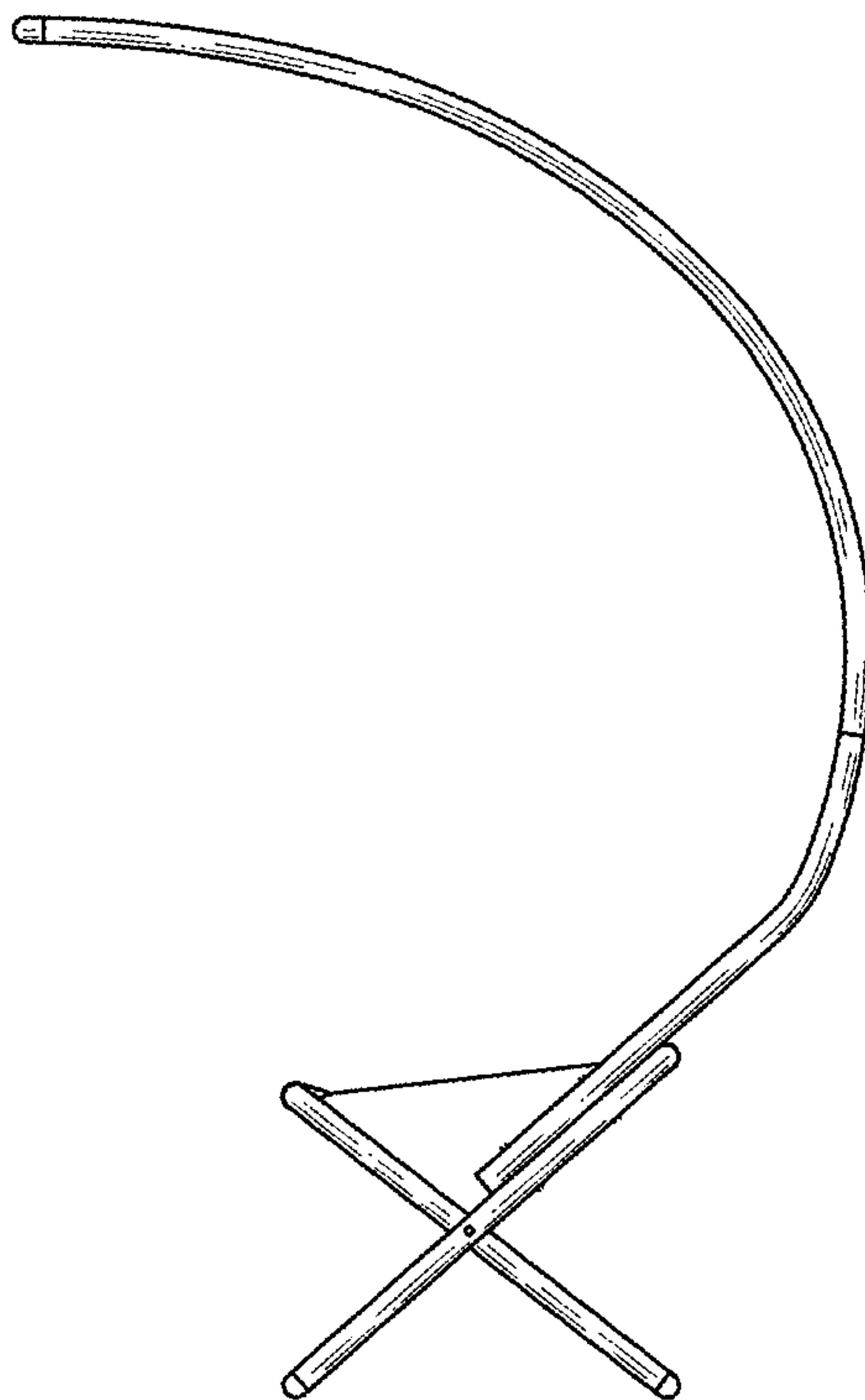


FIG. 4

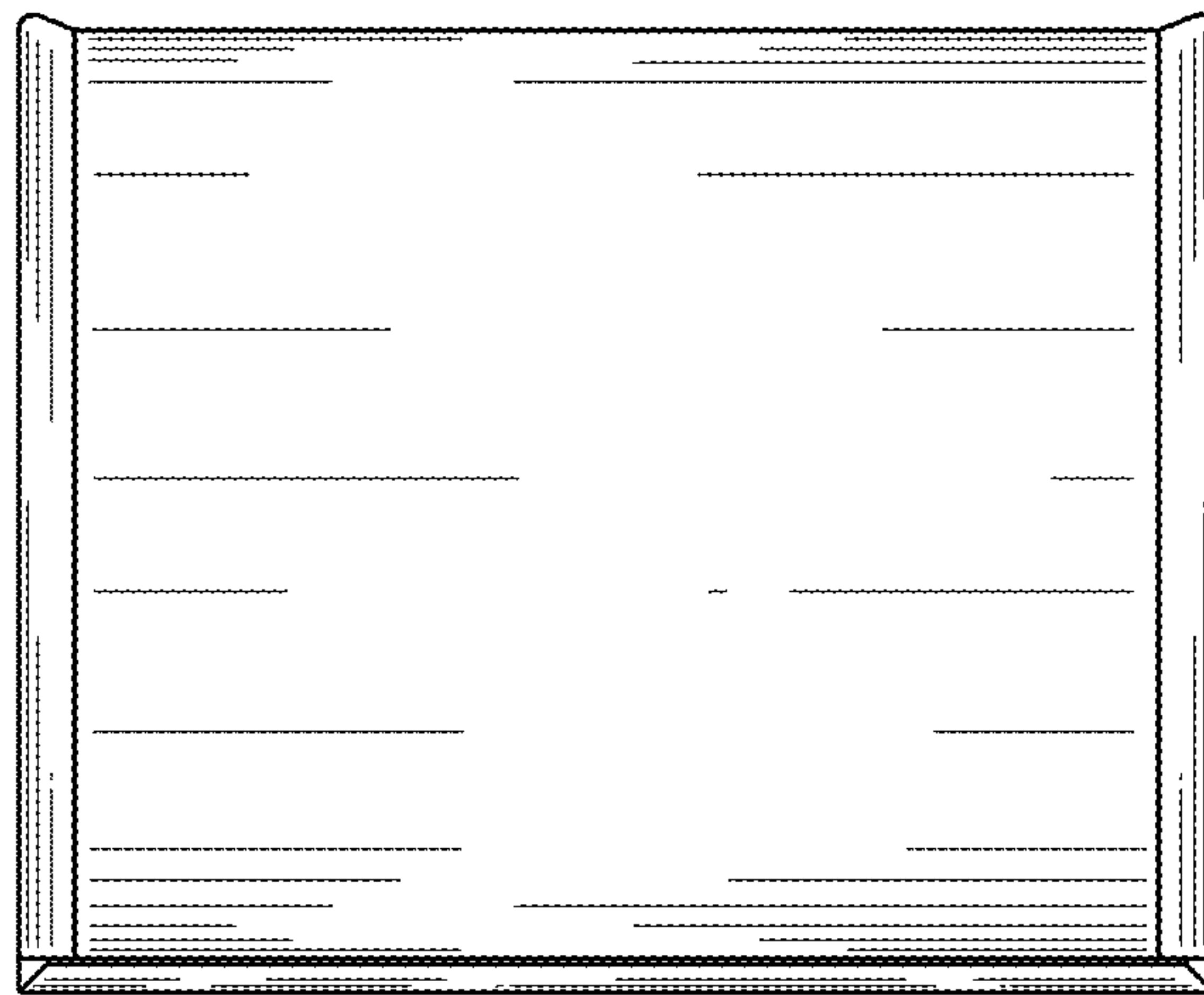


FIG. 5

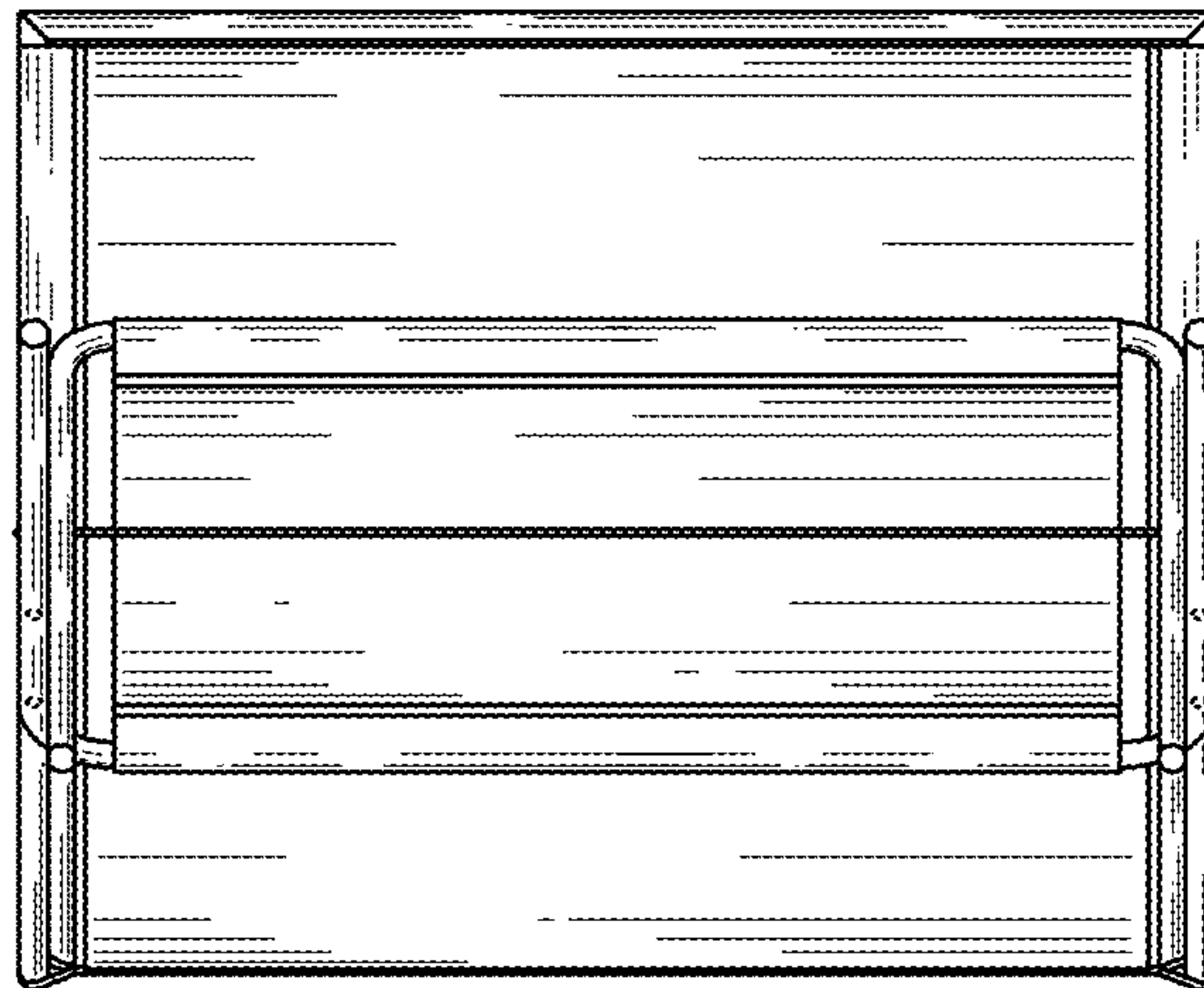


FIG. 6

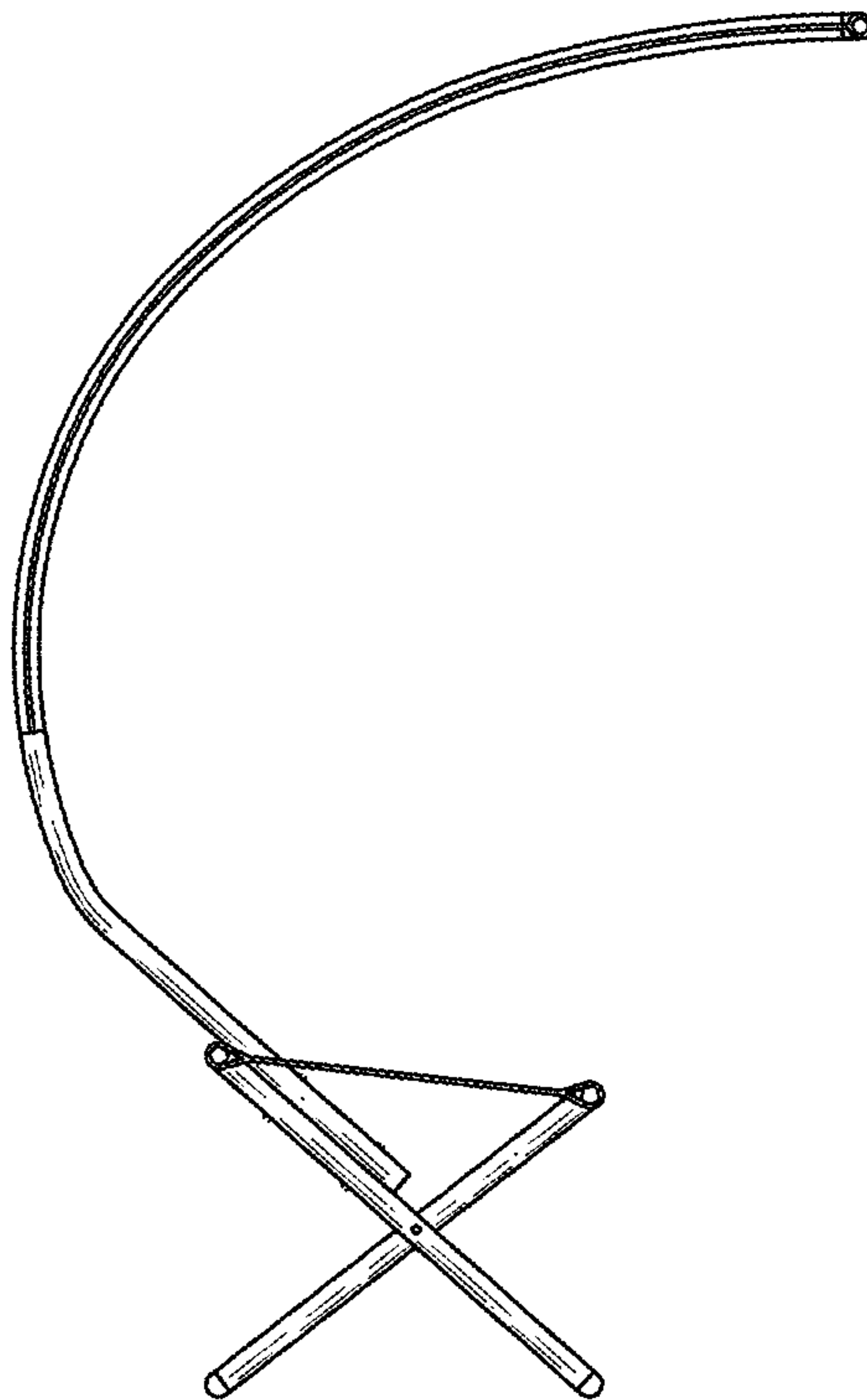


FIG. 7

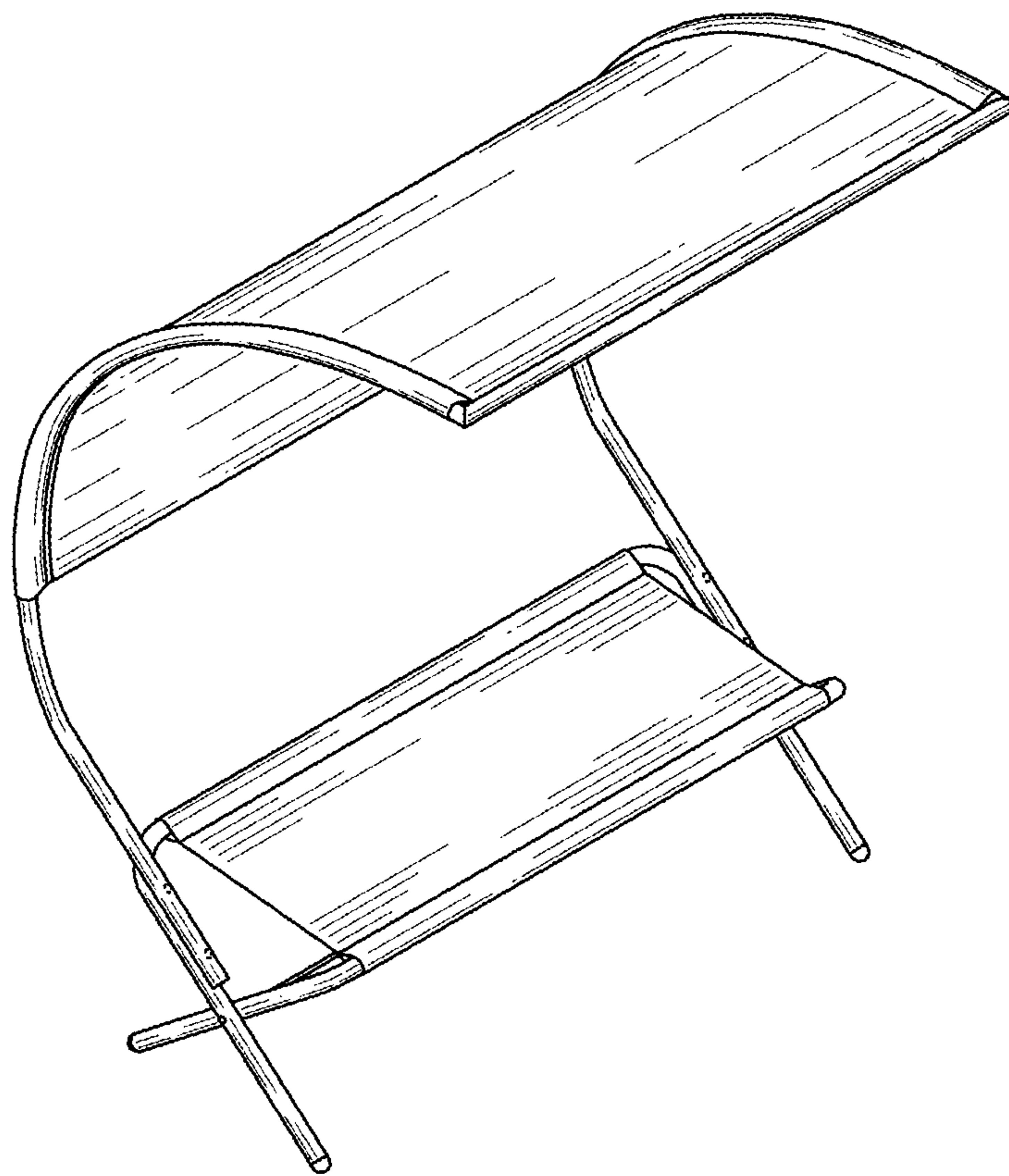


FIG. 8

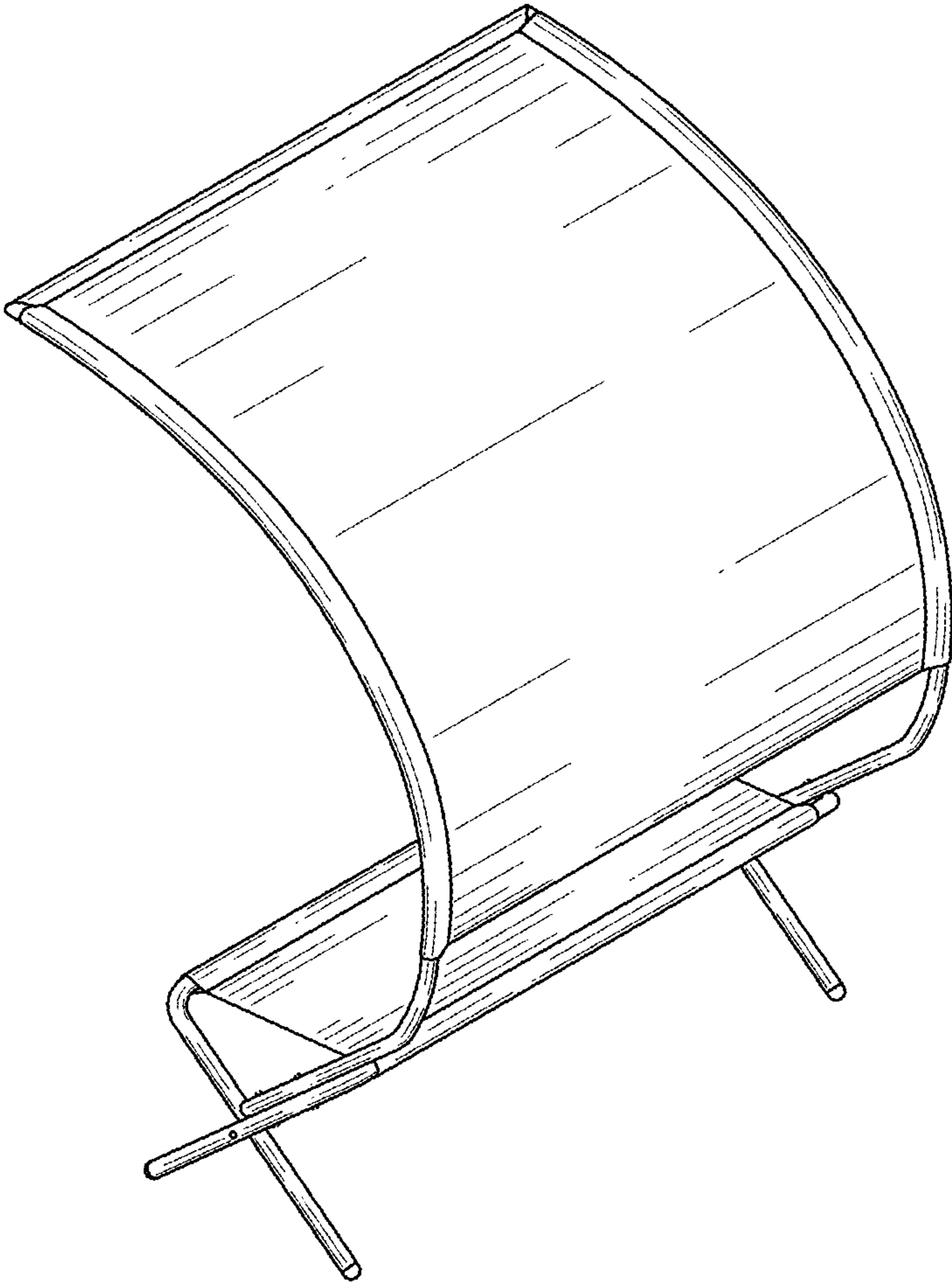


FIG. 9

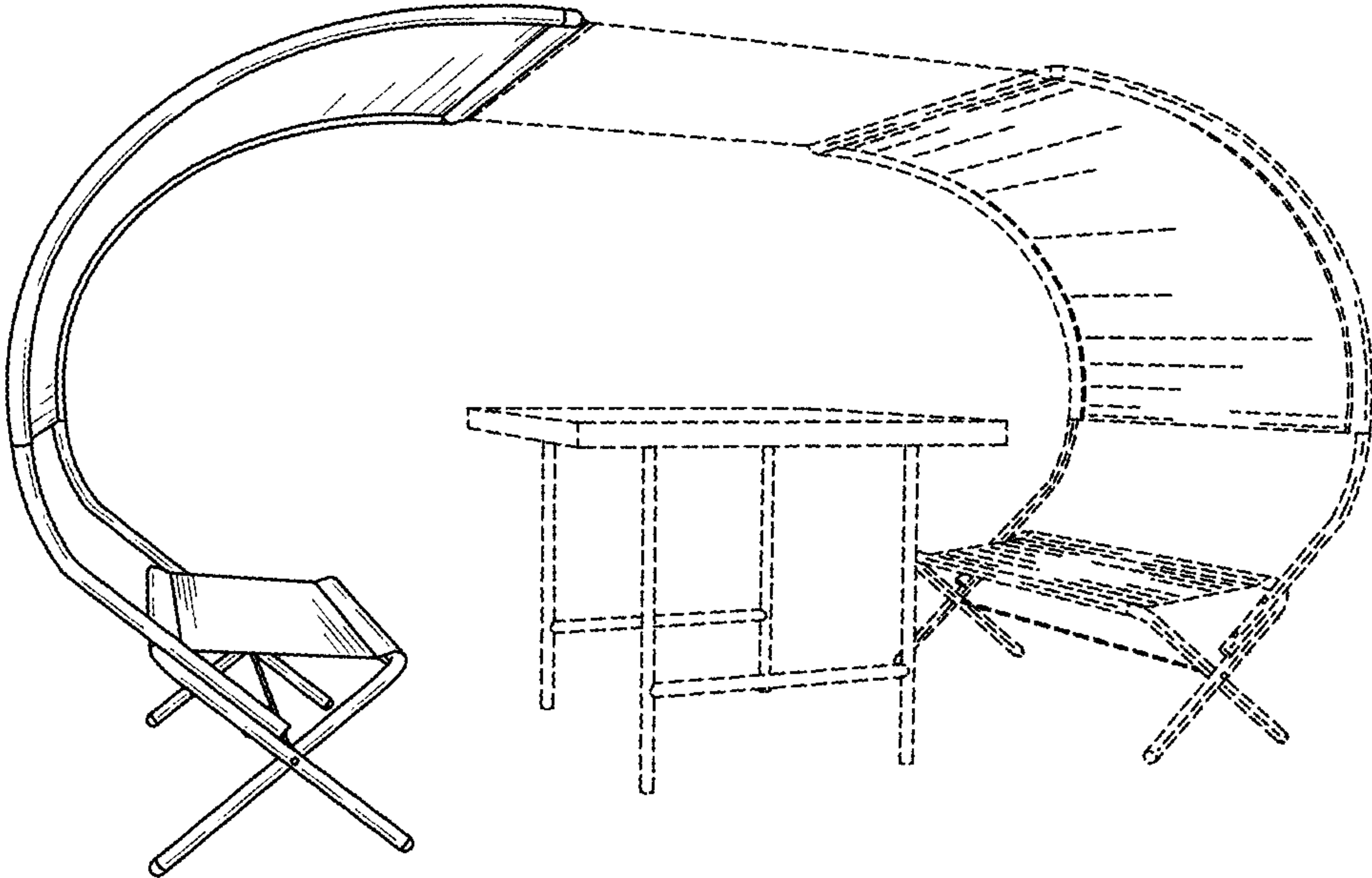


FIG. 10

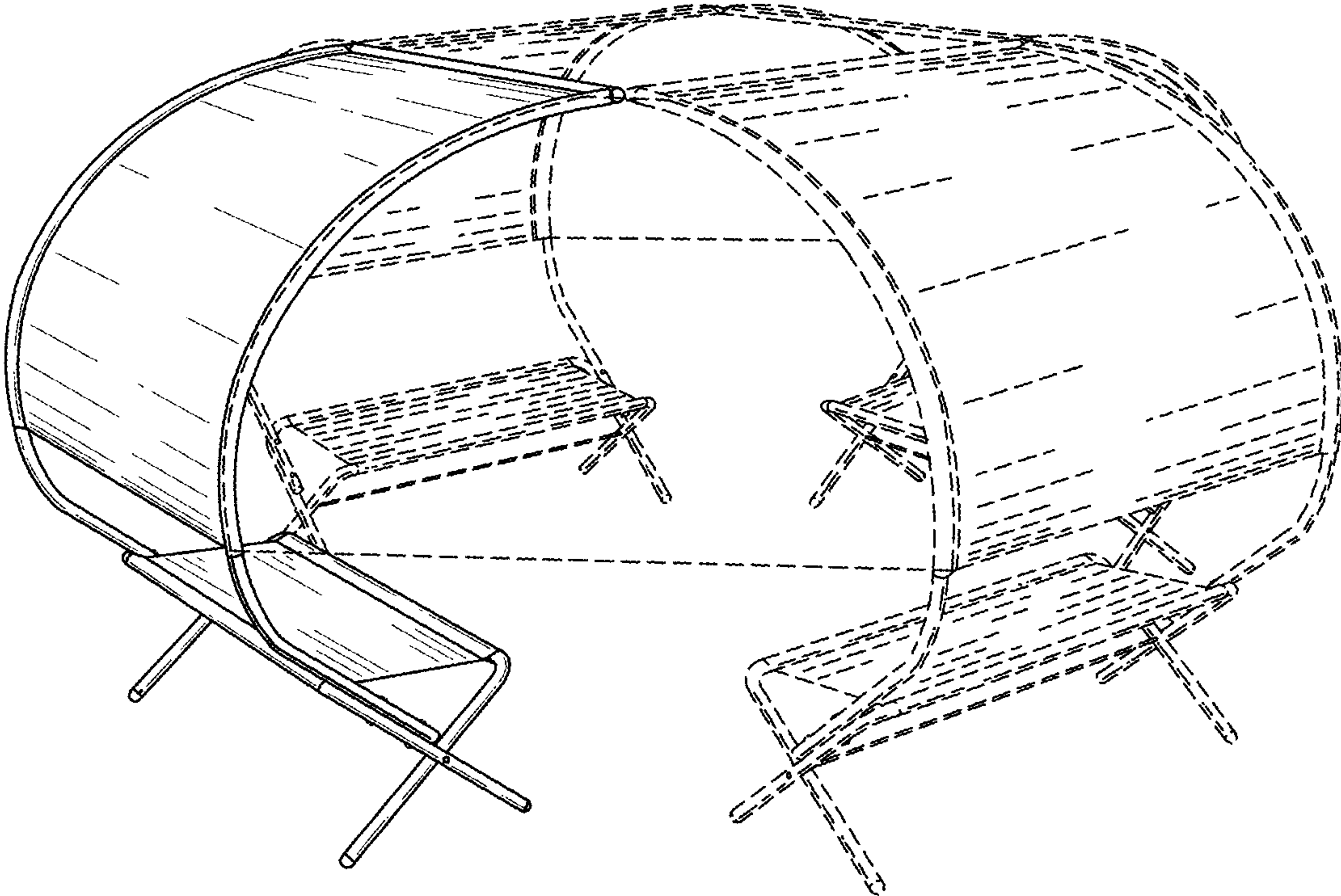


FIG. 11

